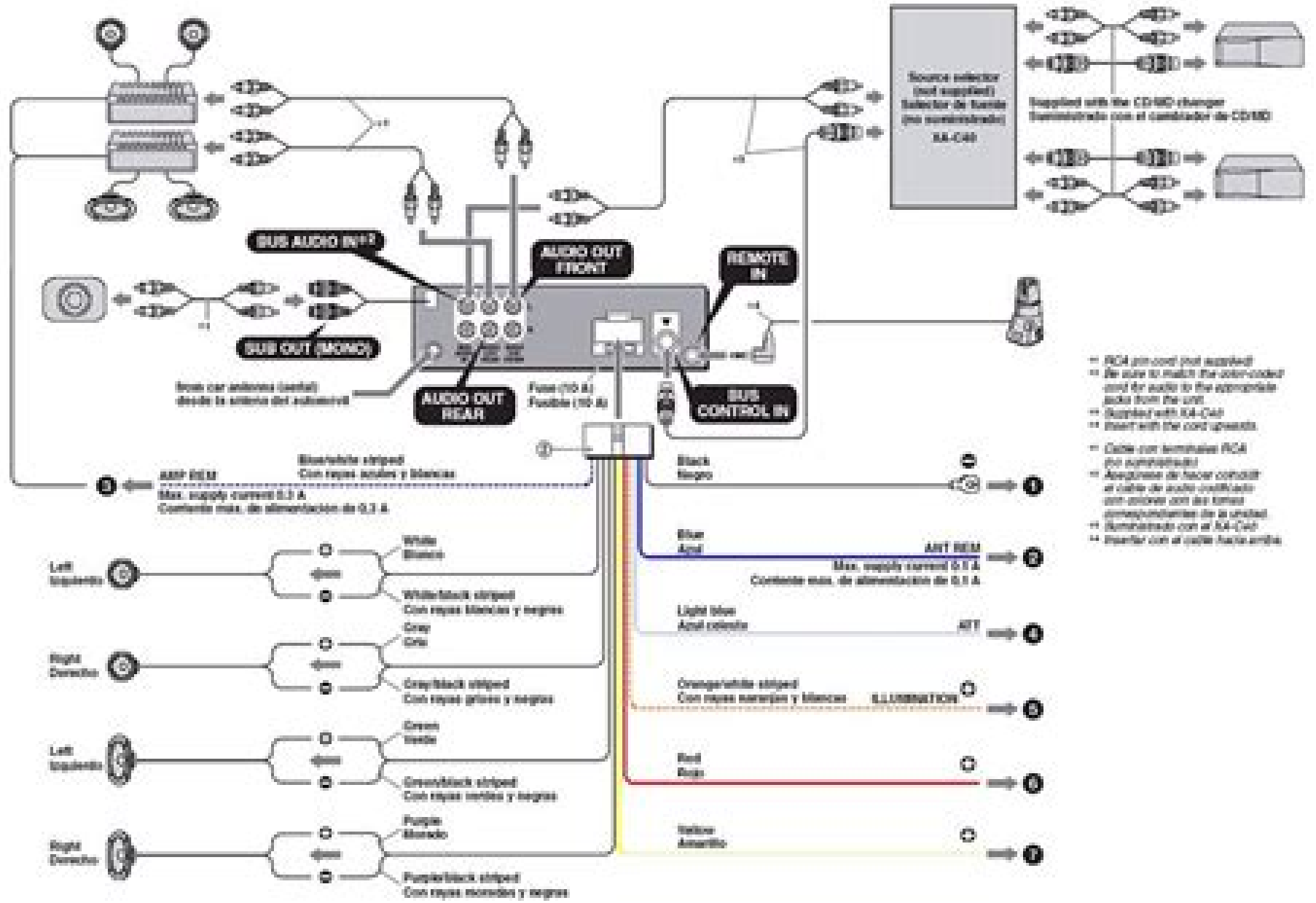


# SONY



- \*\* RCA pin cord (not supplied)
- \*\* Be sure to match the color-coded cord for audio to the appropriate jack from the unit.
- \*\* Supplied with SA-C40
- \*\* Insert with the cord upwards.
- \*\* Cable con terminales RCA (no suministrado)
- \*\* Asegúrese de hacer coincidir el cable de audio con el color correspondiente de la unidad.
- \*\* Suministrado con el SA-C40
- \*\* Insertar con el cable hacia arriba.

# **Sony Portable Media Storage User Manual**

**JL Elias**



# Sony Portable Media Storage User Manual

Western Digital 4TB Elements Portable HDD User's Manual Western Digital Compumax,2019-05-10 Unofficial User Guide WD Elements portable hard drives offer reliable high capacity storage fast data transfer rates and universal connectivity with USB 3.0 and USB 2.0 devices to back up your photos videos and files on the go Portable Moving Images Ricardo Cedeño Montaña,2017-08-21 This media history explores a series of portable small cameras playback devices and storage units that have made the production of film and video available to everyone Covering several storage formats from 8mm films of the 1900s through the analogue videotapes of the 1970s to the compression algorithms of the 2000s this work examines the effects that the shrinkage of complex machines media formats and processing operations has had on the dissemination of moving images Using an archaeological approach to technical standards of media the author provides a genealogy of portable storage formats for film analog video and digitally encoded video This book is a step forward in decoding the storage media formats which up to now have been the domain of highly specialised technicians Multimedia Security Handbook Borko Furht,Darko Kirovski,2004-12-28 Intellectual property owners who exploit new ways of reproducing distributing and marketing their creations digitally must also protect them from piracy Multimedia Security Handbook addresses multiple issues related to the protection of digital media including audio image and video content This volume examines leading edge multimedia security **Digital Photographer's Guide to Media Management** Tim Grey,2006 This must have guide presents smart solutions to difficulties of media management It examines all the hardware discusses archiving gives the lowdown on portable hard drives input and output devices digital media cards and advanced systems Learn software fundamentals and see how the Internet can become a versatile tool for sharing displaying and selling photography **CNET's Guide to Digital Photography** TechRepublic, Incorporated,2002-12 **Pro Digital Photographer's Handbook** Michael Freeman,2005 Michael Freeman has a well deserved reputation for effectively explaining the concepts behind digital picture taking to a variety of audiences Here he turns his attention to the professionals and advanced hobbyists who are making the move from traditional to digital and want help mastering the technology and meeting their clients new requirements Freeman thoroughly answers the most frequently asked questions about the basics of digital capture from cameras and computers to storage options printers and scanners Photographers will learn the different file formats and how to save images for print or publishing on the web They'll explore valuable software tools and basic image processing programs that fix common problems and see how to improve pictures using an assortment of cropping and filtering techniques The smart detailed advice will give photographers confidence as they enter this new digital world Handbook of Forensic Photography Sanford Weiss,2022-06-20 Handbook of Forensic Photography is the most comprehensive definitive reference for the use of photography in the capture and presentation of forensic evidence The

intent is to inform the reader about the most complete and up to date methods to capture and reproduce images that most accurately represent the evidence With the rise in importance of forensic science crime and accident scene documentation has likewise increased in importance not the least of which has been forensic photography The need to use accepted practice and protocols to guarantee the authenticity of images for evidence documentation is paramount for using it in court And as with any discipline there is an art to the science of forensic photography Contributing authors from various backgrounds each experts in their field have provided numerous case examples best practices and recommendations for recognizing recording and preserving evidence using cameras and the latest digital image technology including video and other imaging technologies Chapters present such topics as videography drone photography underwater photography crime scene photography autopsy photographs fire documentation forensic odontology and more The book closes with coverage of courtroom displays presenting imaging evidence and expert witness testimony in the courtroom Handbook of Forensic Photography is a must have reference for experienced crime scene photographers death and crime scene investigators police and forensic professionals including medical examiners odontologists engineers and forensic anthropologists who frequently need to capture investigative photographs in the course of investigations National Association of Broadcasters Engineering Handbook Garrison C. Cavell,2017-07-28 The NAB Engineering Handbook is the definitive resource for broadcast engineers It provides in depth information about each aspect of the broadcast chain from audio and video contribution through an entire broadcast facility all the way to the antenna New topics include Ultra High Definition Television Internet Radio Interfacing and Streaming ATSC 3 0 Digital Audio Compression Techniques Digital Television Audio Loudness Management and Video Format and Standards Conversion Important updates have been made to incumbent topics such as AM Shortwave FM and Television Transmitting Systems Studio Lighting Cameras and Principles of Acoustics The big picture comprehensive nature of the NAB Engineering Handbook will appeal to all broadcast engineers everyone from broadcast chief engineers who need expanded knowledge of all the specialized areas they encounter in the field to technologists in specialized fields like IT and RF who are interested in learning about unfamiliar topics Chapters are written to be accessible and easy to understand by all levels of engineers and technicians A wide range of related topics that engineers and technical managers need to understand are covered including broadcast documentation FCC practices technical standards security safety disaster planning facility planning project management and engineering management

**The Handbook of Photonics** Mool C. Gupta,John Ballato,2018-10-03 Reflecting changes in the field in the ten years since the publication of the first edition The Handbook of Photonics Second Edition explores recent advances that have affected this technology In this new updated second edition editor Mool Gupta is joined by John Ballato strengthening the handbook with their combined knowledge and the continued contributions of world class researchers New in the Second Edition Information on optical fiber technology and the economic impact of photonics Coverage of emerging technologies in

nanotechnology Sections on optical amplifiers and polymeric optical materials The book covers photonics materials devices and systems respectively An introductory chapter new to this edition provides an overview of photonics technology innovation and economic development Resting firmly on the foundation set by the first edition this new edition continues to serve as a source for introductory material and a collection of published data for research and training in this field making it the reference of first resort

*The Filmmaker's Handbook* Steven Ascher, Edward Pincus, 2007-09-04 2008 Edition The authoritative guide to funding preparing shooting lighting editing finishing and distributing your film or video Widely acknowledged as the bible of film and video production and used in courses around the world this indispensable guide to making movies is now updated with the latest advances in high definition formats For students and teachers the professional and the novice filmmaker this clear and comprehensive handbook remains the reliable reference to all aspects of moviemaking Techniques for making narrative documentary corporate experimental and feature films Working with high definition and standard definition digital video formats including DV HD and HDV Extensive coverage of video editing with the latest nonlinear editing systems Thorough grounding in lenses lighting sound recording and sound editing The business aspects of financing and producing movies Written by filmmakers for filmmakers this book will give you the skills you need to take your dreams from script to screen

**The Digital Consumer Technology Handbook** Amit Dhir, 2004-04-30 The consumer electronics market has never been as awash with new consumer products as it has over the last couple of years The devices that have emerged on the scene have led to major changes in the way consumers listen to music access the Internet communicate watch videos play games take photos operate their automobiles even live Digital electronics has led to these leaps in product development enabling easier exchange of media cheaper and more reliable products and convenient services This handbook is a much needed comprehensive engineering guide to the dynamic world of today's digital consumer electronics It provides complete details on key enabling technologies standards delivery and reception systems products appliances and networking systems Each chapter follows a logical progression from a general overview of each device to market dynamics to the core technologies and components that make up that particular product The book thoroughly covers all of the key digital consumer product categories digital TV digital audio mobile communications devices gaming consoles DVD players PCs and peripherals display devices digital imaging devices web terminals and pads PDAs and other handhelds screenphones videophones telematics devices eBooks and readers and many other current and future products To receive a FREE daily newsletter on displays and consumer electronics go to <http://www.displaydaily.com> Surveys crucial engineering information for every digital consumer product category including cell phones digital TVs digital cameras PDAs and many more the only reference available to do so Has extremely broad market appeal to embedded systems professionals including engineers programmers engineering managers marketing and sales personnel 1 000 000 potential readers Helps engineers and managers make the correct design decisions based on real world data

*A Practical Guide to Digital Forensics*

*Investigations* Darren R. Hayes, 2020-10-16 THE DEFINITIVE GUIDE TO DIGITAL FORENSICS NOW THOROUGHLY UPDATED WITH NEW TECHNIQUES TOOLS AND SOLUTIONS Complete practical coverage of both technical and investigative skills Thoroughly covers modern devices networks and the Internet Addresses online and lab investigations documentation admissibility and more Aligns closely with the NSA Knowledge Units and the NICE Cybersecurity Workforce Framework As digital crime soars so does the need for experts who can recover and evaluate evidence for successful prosecution Now Dr Darren Hayes has thoroughly updated his definitive guide to digital forensics investigations reflecting current best practices for securely seizing extracting and analyzing digital evidence protecting the integrity of the chain of custody effectively documenting investigations and scrupulously adhering to the law so that your evidence is admissible in court Every chapter of this new Second Edition is revised to reflect newer technologies the latest challenges technical solutions and recent court decisions Hayes has added detailed coverage of wearable technologies IoT forensics 5G communications vehicle forensics and mobile app examinations advances in incident response and new iPhone and Android device examination techniques Through practical activities realistic examples and fascinating case studies you ll build hands on mastery and prepare to succeed in one of today s fastest growing fields LEARN HOW TO Understand what digital forensics examiners do the evidence they work with and the opportunities available to them Explore how modern device features affect evidence gathering and use diverse tools to investigate them Establish a certified forensics lab and implement best practices for managing and processing evidence Gather data online to investigate today s complex crimes Uncover indicators of compromise and master best practices for incident response Investigate financial fraud with digital evidence Use digital photographic evidence including metadata and social media images Investigate wearable technologies and other Internet of Things devices Learn new ways to extract a full fi le system image from many iPhones Capture extensive data and real time intelligence from popular apps Follow strict rules to make evidence admissible even after recent Supreme Court decisions

HWM ,2005-10 Singapore s leading tech magazine gives its readers the power to decide with its informative articles and in depth reviews

*A Practical Guide to Computer Forensics Investigations* Darren R. Hayes, 2015 A Practical Guide to Computer Forensics Investigations introduces the newest technologies along with detailed information on how the evidence contained on these devices should be analyzed Packed with practical hands on activities students will learn unique subjects from chapters including Mac Forensics Mobile Forensics Cyberbullying and Child Endangerment This well developed book will prepare students for the rapidly growing field of computer forensics for a career with law enforcement accounting firms banks and credit card companies private investigation companies or government agencies

**Moody's Industrial Manual** ,1997 Covering New York American regional stock exchanges international companies

**Official Gazette of the United States Patent and Trademark Office** ,2005

**Maximum PC** ,2005-09 Maximum PC is the magazine that every computer fanatic PC gamer or content creator must read Each and every issue is packed with punishing

product reviews insightful and innovative how to stories and the illuminating technical articles that enthusiasts crave **PC Mag** ,1997-05-06 PCMag com is a leading authority on technology delivering Labs based independent reviews of the latest products and services Our expert industry analysis and practical solutions help you make better buying decisions and get more from technology [Complete CompTIA A+ Guide to PCs](#) Cheryl A. Schmidt,2013-02-14 Master PC installation configuration repair maintenance and networking and fully prepare for the CompTIA A 220 801 and 220 802 exams This unique tutorial and study guide teaches the fundamentals of computer desktop and laptop installation configuration maintenance and networking with thorough instruction built on the CompTIA A 220 801 and 220 802 exam objectives Learn all the skills you need to become a certified professional and customer friendly technician using today s tools and technologies Every chapter opens with focused learning objectives and lists the exam objectives covered in that chapter To meet the learning objectives each chapter includes detailed figures helpful Tech Tips explanations of key terms step by step instruction and complete coverage of every topic At the end of every chapter are comprehensive assessment tools including a summary review questions labs activities and exam tips Covers Both 2012 A Exams A 220 801 PC Hardware Networking Laptops Printers Operational Procedures A 220 802 Operating Systems Security Mobile Devices Troubleshooting Learn more quickly and thoroughly with all these study and review tools Learning Objectives provide the goals for each chapter Practical Tech Tips give real world PC repair knowledge Soft Skills information and activities in each chapter cover all the tools and skills you need to become a professional customer friendly technician in every category Review Questions including true false multiple choice matching fill in the blank and open ended questions assess your knowledge of the learning objectives More than 125 Lab Exercises enable you to link theory to practical experience Key Terms identify exam words and phrases associated with each topic Detailed Glossary clearly defines every key term Critical Thinking Activities in every chapter take you beyond the facts to complete comprehension of topics Chapter Summary provides a recap of key concepts See Special Offer in Back of Book to save 70% on the CompTIA A Cert Guide Deluxe Edition Premium Edition eBook and Practice Test *Billboard* ,2004-01-17 In its 114th year Billboard remains the world s premier weekly music publication and a diverse digital events brand content and data licensing platform Billboard publishes the most trusted charts and offers unrivaled reporting about the latest music video gaming media digital and mobile entertainment issues and trends

**gena se et diffusion du systa me ma c trique acte download** - Nov 24 2021

web 2 gena se et diffusion du systa me ma c trique acte 2021 01 21 lookup lib hku hk lookup bib b3144507xv9 note click to view v 9 via cadal

[gena se et diffusion du systa me ma c trique acte central](#) - Jul 13 2023

web gena se et diffusion du systa me ma c trique acte when somebody should go to the book stores search launch by shop

shelf by shelf it is truly problematic it will no

**genèse et diffusion du système métrique actes du colloque la** - Aug 14 2023

web genèse et diffusion du système métrique actes du colloque la naissance du système métrique ura cnrs 1013 et 1252

musée national des techniques cnam 20 21 octobre

ginera 21 draje nedir ve ne için kullanılır türk ilaç rehberi - Mar 29 2022

web ginera 21 draje sağlık profesyonelleri için kullanma talimatı nedir ve ne için kullanılır ayrıca yan etkileri nasıl kullanılır kullanmadan önce dikkat edilmesi

*gena se et diffusion du systa me ma c trique acte copy* - Nov 05 2022

web may 26 2023 gena se et diffusion du systa me ma c trique acte 2 5 downloaded from uniport edu ng on may 26 2023 by guest aid can be effective guide to best practices

**gena se et diffusion du systa me ma c trique acte** - Sep 22 2021

web 4 gena se et diffusion du systa me ma c trique acte 2023 07 12 computer scientists have used feminist epistemologies for rethinking the human interface problems of our

diş hekimliği fakültesi t c trakya Üniversitesi - Jan 27 2022

web c fakülte kurulu trakya Üniversitesi diş hekimliği fakültesi fakülte kurulunu ç rektör trakya Üniversitesi rektörünü madde 15 1 24 04 2013 tarihli ve 28627 sayılı

**gena se et diffusion du systa me ma c trique acte copy** - Feb 08 2023

web 2 gena se et diffusion du systa me ma c trique acte 2021 10 18 book details the comparative critical perspectives on history historians their audiences and the coming

**gena se et diffusion du systa me ma c trique acte full pdf** - Mar 09 2023

web one of the favored book gena se et diffusion du systa me ma c trique acte collections that we have this is why you remain in the best website to see the amazing ebook to

**gena a Ş** - May 31 2022

web gena Ülkemize kazandırmış olduğumuz eserlere yenilerini eklemek ve türkiye mizin gelişip büyümesine katkı sağlamak için aynı azim ciddiyet ve kalite anlayışıyla var

*gena se et diffusion du systa me ma c trique acte copy* - Dec 06 2022

web gena se et diffusion du systa me ma c trique acte 2 6 downloaded from uniport edu ng on may 5 2023 by guest on liberty john stuart mill 1895 nuclear science abstracts

genetik sinama nedir moleküler biyoloji ve genetik - Apr 29 2022

web mar 28 2017 genetik sinama genetik hastalıklara yol açabilen dna değişikliklerinin yani mutasyonların belirlenmesinde



son derece işe yarar bir araçtır genetik sınama nasıl

**gena se et diffusion du systa me ma c trique acte pdf** - Apr 10 2023

web may 3 2023 gena se et diffusion du systa me ma c trique acte 2 7 downloaded from uniport edu ng on may 3 2023 by guest how with a different strategy human rights

*gena se et diffusion du systa me ma c trique acte theodor* - Sep 03 2022

web jan 22 2023 gena se et diffusion du systa me ma c trique acte 1 19 downloaded from secure docs lenderhomepage com on by guest gena se et diffusion du systa

gena se et diffusion du systa me ma c trique acte pdf - Jun 12 2023

web mar 18 2023 gena se et diffusion du systa me ma c trique acte 2 7 downloaded from uniport edu ng on march 18 2023 by guest they are accessible to a wide range of

*gena se et diffusion du systa me ma c trique acte download* - Jul 01 2022

web gena se et diffusion du systa me ma c trique acte 1 gena se et diffusion du systa me ma c trique acte as recognized adventure as capably as experience more or less

*gena se et diffusion du systa me ma c trique acte copy* - May 11 2023

web 2 gena se et diffusion du systa me ma c trique acte 2021 03 17 microbial biology the studies have also shown aquaporins as potential drug targets and targets for improving

*gena se et diffusion du systa me ma c trique acte pdf* - Oct 04 2022

web mar 1 2023 gena se et diffusion du systa me ma c trique acte as recognized adventure as competently as experience virtually lesson amusement as competently as

gena se et diffusion du systa me ma c trique acte uniport edu - Aug 02 2022

web apr 8 2023 kindly say the gena se et diffusion du systa me ma c trique acte is universally compatible with any devices to read the penny cyclopædia of the society for

gena se et diffusion du systa me ma c trique acte copy - Jan 07 2023

web may 22 2023 gena se et diffusion du systa me ma c trique acte recognizing the pretension ways to get this ebook gena se et diffusion du systa me ma c trique acte

**akademik yapı tıp fakültesi t c trakya Üniversitesi** - Feb 25 2022

web cerrahî tıp bilimleri bölümü bölüm başkanı telefon 0 284 235 76 41 dahili 1237 tÜ e posta abdullahtas trakya edu tr uzmanlık alanı kulak burun boğaz

gena se et diffusion du systa me ma c trique acte download - Oct 24 2021

web gena se et diffusion du systa me ma c trique acte downloaded from poweredby vanspaendonck nl by guest keagan

burgess index catalogue of medical

[gena se et diffusion du systa me ma c trique acte 2022](#) - Dec 26 2021

web 4 gena se et diffusion du systa me ma c trique acte 2023 05 09 linda marie fedigan scott gilbert evelynn m hammonds evelyn fox keller pamela e mack michael s

**montmorency on the rocks doctor aristocrat murderer** - Aug 22 2021

web montmorency on the rocks book read 110 reviews from the world s largest community for readers montmorency the man leading a double life torn betwee

**montmorency on the rocks updale eleanor archive org** - Apr 10 2023

web montmorency on the rocks updale eleanor free download borrow and streaming internet archive

[montmorency on the rocks kindle edition amazon com au](#) - May 31 2022

web 2 montmorency on the rocks look for the scottish island on the cover on a red background isbn 978 1482657609 3 montmorency and the assassins

**montmorency on the rocks updale eleanor** - Feb 08 2023

web apr 25 2013 montmorency on the rocks is just a mystery with an element too lurid for youth fiction she slept with the three male protagonists none of whom she had a

**how to pronounce montmorency howtopronounce com** - Dec 26 2021

web montmorency series the montmorency series or simply montmorency is a series of five young adult historical crime novels written by eleanor updale and first published

*the rock on roman reigns he s gonna be on the mount* - Sep 22 2021

web 1 hour ago college gameday on espn starts tomorrow at 9am et but if you re just tuning in for the rock the guest picker segment starts near the end of the three hour program

**montmorency on the rocks updale eleanor archive org** - Jul 01 2022

web 344 pages 20 cm

**montmorency series by eleanor updale goodreads** - Jun 12 2023

web book 1 montmorency thief liar gentleman by eleanor updale 3 82 3 989 ratings 488 reviews published 2003 37 editions when a petty thief falls through a glass roof

**montmorency definition meaning dictionary com** - Oct 24 2021

web montmorency definition french marshal constable of france 1537 see more

*montmorency on the rocks updale eleanor amazon com tr kitap* - Feb 25 2022

web montmorency on the rocks updale eleanor amazon com tr kitap Çerez tercihlerinizi seçin Çerez bildirimimizde ayrıntılı

şekilde açıklandığı üzere alışveriş yapmanızı

**montmorency on the rocks kindle edition amazon com** - Jan 07 2023

web oct 25 2012 montmorency on the rocks the second volume of eleanor updale s popular victorian spy drama finds our title hero in a much darker place than the london

**montmorency on the rocks book 2004 worldcat org** - Jan 27 2022

web 5 years after giving up his life of crime in the sewers montmorency is back in london but his evil alter ego scarper is back too pulling him into a dark world of addiction his

**montmorency on the rocks doctor aristocrat murderer** - Aug 14 2023

web apr 4 2004 five years after giving up his life of crime in the london sewers montmorency is back but his evil alter ego scarper has returned too pulling him back

*montmorency on the rocks kirkus reviews* - Jul 13 2023

web apr 1 2005 in this second adventure previous characters reappear in key roles as lord fox selwyn and dr farcett join forces with montmorency to find out who s behind the

montmorency on the rocks doctor aristocrat murderer - Dec 06 2022

web get this from a library montmorency on the rocks doctor aristocrat murderer eleanor updale in victorian london when montmorency and his alter ego scarper reunite

**montmorency on the rocks montmorency hardcover** - Nov 24 2021

web nov 11 2018 montmorency on the rocks montmorency hardcover jack mercer the voice of popeye fred m grandinetti baptist polity as i see it james l sullivan

**montmorency series wikipedia** - May 11 2023

london england 1875 the main character falls through a glass roof onto a grinding machine below while fleeing from the police doctor robert farcett hoping to prove himself an accomplished doctor by working on the criminal s complex wounds saves the thief s life by performing surgery on him farcett continues to work on the thief after he is imprisoned and given the temporary name prisoner 493 the prisoner has no name other than montmorency whic

montmorency on the rocks amazon co uk - Aug 02 2022

web mystery thriller suspense thriller suspense suspense montmorency on the rocks audible audiobook unabridged eleanor updale author stephen fry narrator 1

*montmorency on the rocks hardcover 16 april 2004* - Mar 09 2023

web apr 16 2004 buy montmorency on the rocks first uk edition by updale eleanor isbn 9780439978415 from amazon s book store everyday low prices and free delivery on

**montmorency on the rocks doctor aristocrat murderer** - Mar 29 2022

web 1 new from 62 00 five years after giving up his life of crime in the london sewers montmorency is back but his evil alter ego scarper has returned too pulling him back

**montmorency on the rocks eleanor updale google books** - Oct 04 2022

web five years after giving up his life of crime in the sewers montmorency is back in london but his evil alter ego scarper is back too pulling him into a dark world of addiction his

montmorency on the rocks 2005 edition open library - Apr 29 2022

web montmorency on the rocks by eleanor updale 2005 orchard books edition in english 1st orchard books ed

**montmorency on the rocks amazon ca** - Sep 03 2022

web apr 1 2005 montmorency on the rocks the second volume of eleanor updale s popular victorian spy drama finds our title hero in a much darker place than the london sewers

**montmorency on the rocks paperback 25 april 2013** - Nov 05 2022

web apr 25 2013 the new montmorency book montmorency returns will be available here very soon it s the fifth book in the montmorency series of historical

download pdf kids travel guide germany the fun way to discover - Mar 30 2022

web oct 7 2020 kids travel guide germany the fun way to discover germany especially for kids kids travel guide series book detail age range 6 12 years series kids travel guide series book 26 paperback 44 pages publisher flyingkids premium edition edition march 19 2017 language english isbn 10 1910994138 isbn

**kids travel guide germany the fun way to discover germany** - May 12 2023

web this guide walks your children through the most famous cities in germany berlin munich hamburg and frankfurt and the many unique attractions that make this country so special today it s more important than ever to give our kids opportunities to expand their horizons and broaden their minds

germany travel for kids the fun way to discover germany 13 travel - Dec 07 2022

web buy germany travel for kids the fun way to discover germany 13 travel guide for kids by publishing dinobibi isbn 9798611895078 from amazon s book store everyday low prices and free delivery on eligible orders

*13 books about germany for your germany vacation* - Feb 26 2022

web the kids travel guide germany is a unique travel guide and activity book especially designed for children this educational book is a fun and entertaining way to discover germany s geography flags history food culture and many more

**germany travel for kids the fun way to discover germany travel guide** - Feb 09 2023

web germany travel for kids the fun way to discover germany travel guide for kids band 13 publishing dinobibi isbn

9798611895078 kostenloser versand für alle bücher mit versand und verkauf durch amazon

*11 of the best things to do with kids in germany lonely planet* - Oct 05 2022

web jul 13 2023 if you find traveling with kids in larger cities a bit overwhelming then you will love germany's national parks and smaller villages the black forest national park is the place where fairy tales come true the little villages with half timbered houses around the town of gengenbach or the world's largest cuckoo clock in schonach are an

*kids travel guide germany the fun way to discover germany* - Jun 13 2023

web buy kids travel guide germany the fun way to discover germany especially for kids 26 by leon shiela h g salome flyingkids isbn 9781910994139 from amazon's book store everyday low prices and free delivery on eligible orders

**germany travel for kids the fun way to discover germany travel guide** - Jul 14 2023

web feb 9 2020 whether preparing for a vacation or simply wanting to learn about hanna this book gives you all you need to know fun places to visit tasty food to try and fun interactive pop quizzes throughout come join dinobibi and hanna on an adventure and discover germany read more

**germany travel for kids the fun way to discover germany 13** - Apr 30 2022

web germany travel for kids the fun way to discover germany 13 paperback 9 february 2020 by dinobibi publishing author 4 5 13 ratings see all formats and editions paperback \$ 18 22 3 new from \$ 18 22 going on a family vacation to germany or just want to learn more about this amazing country

*kids travel guide germany the fun way to discover germany* - Jan 08 2023

web mar 18 2017 kids travel guide germany the fun way to discover germany especially for kids kindle edition by g salome leon shiela download it once and read it on your kindle device pc phones or tablets

*kids travel guide germany the fun way to discover germany* - Apr 11 2023

web a unique travel guide and activity book in one it's the fun way to discover germany all about germany especially for kids geography fascinating history and flags and symbols as well as german culture food and even some useful words in german

*kids travel guide germany the fun way to discover germany* - Nov 06 2022

web kids travel guide germany the fun way to discover germany especially for kids english edition ebook g salome leon shiela amazon de kindle shop

**the best things to do with kids in germany expatica** - Jan 28 2022

web sep 11 2023 europa park located in rust in southwestern germany europa park is the second most popular theme park resort in europe following disneyland paris with more than 100 attractions and shows 13 roller coasters and 15 european themed areas this is undoubtedly one of the best things to do with kids in germany

**kids travel guide germany the fun way to discover germany** - Aug 15 2023

web mar 19 2017 designed especially for kids the kids travel guide germany teaches children all about germany including its cities and landmarks geography fascinating history and flags and symbols as well as german culture cuisine and even some popular words in german fun educational and engaging

germany travel for kids the fun way to discover germany 13 - Aug 03 2022

web whether preparing for a vacation or simply wanting to learn about hanna this book gives you all you need to know fun places to visit tasty food to try and fun interactive pop quizzes throughout

kids travel guide germany the fun way to discover germany - Jul 02 2022

web kids travel guide germany the fun way to discover germany especially for kids ebook g salome leon shiela amazon com au kindle store

kids travel guide germany the fun way to discover germany - Sep 04 2022

web buy kids travel guide germany the fun way to discover germany especially for kids by h leon shiela online on amazon ae at best prices fast and free shipping free returns cash on delivery available on eligible purchase

**best selling kids travel guide germany the fun way to discover** - Dec 27 2021

web apr 29 2019 kids travel guide germany the fun way to discover germany especially for kids 26 kids travel guide series by shiela h leon click here wahyuandri12 blogspot mx book 1910994138

**kids travel guide germany the fun way to discover germany** - Mar 10 2023

web mar 19 2017 designed especially for kids the kids travel guide germany teaches children all about germany including its cities and landmarks geography fascinating history and flags and symbols as well as german culture cuisine and even some popular words in german

**kids travel guide germany the fun way to discover germany** - Jun 01 2022

web kids travel guide germany the fun way to discover germany especially for kids 26 h leon shiela amazon sg books

Discover tales of courage and bravery in its empowering ebook, **Sony Portable Media Storage User Manual** . In a downloadable PDF format ( PDF Size: \*), this collection inspires and motivates. Download now to witness the indomitable spirit of those who dared to be brave.

[https://offsite.creighton.edu/files/virtual-library/Documents/ingersoll\\_rand\\_air\\_compressor\\_portable.pdf](https://offsite.creighton.edu/files/virtual-library/Documents/ingersoll_rand_air_compressor_portable.pdf)

[https://offsite.creighton.edu/files/virtual-library/Documents/invisible\\_anna\\_clendening\\_lyrics.pdf](https://offsite.creighton.edu/files/virtual-library/Documents/invisible_anna_clendening_lyrics.pdf)

[https://offsite.creighton.edu/files/virtual-library/Documents/internal\\_traits\\_list.pdf](https://offsite.creighton.edu/files/virtual-library/Documents/internal_traits_list.pdf)

## **Table of Contents Sony Portable Media Storage User Manual**

1. Understanding the eBook Sony Portable Media Storage User Manual
  - The Rise of Digital Reading Sony Portable Media Storage User Manual
  - Advantages of eBooks Over Traditional Books
2. Identifying Sony Portable Media Storage User Manual
  - Exploring Different Genres
  - Considering Fiction vs. Non-Fiction
  - Determining Your Reading Goals
3. Choosing the Right eBook Platform
  - Popular eBook Platforms
  - Features to Look for in an Sony Portable Media Storage User Manual
  - User-Friendly Interface
4. Exploring eBook Recommendations from Sony Portable Media Storage User Manual
  - Personalized Recommendations
  - Sony Portable Media Storage User Manual User Reviews and Ratings

- Sony Portable Media Storage User Manual and Bestseller Lists
- 5. Accessing Sony Portable Media Storage User Manual Free and Paid eBooks
  - Sony Portable Media Storage User Manual Public Domain eBooks
  - Sony Portable Media Storage User Manual eBook Subscription Services
  - Sony Portable Media Storage User Manual Budget-Friendly Options
- 6. Navigating Sony Portable Media Storage User Manual eBook Formats
  - ePub, PDF, MOBI, and More
  - Sony Portable Media Storage User Manual Compatibility with Devices
  - Sony Portable Media Storage User Manual Enhanced eBook Features
- 7. Enhancing Your Reading Experience
  - Adjustable Fonts and Text Sizes of Sony Portable Media Storage User Manual
  - Highlighting and Note-Taking Sony Portable Media Storage User Manual
  - Interactive Elements Sony Portable Media Storage User Manual
- 8. Staying Engaged with Sony Portable Media Storage User Manual
  - Joining Online Reading Communities
  - Participating in Virtual Book Clubs
  - Following Authors and Publishers Sony Portable Media Storage User Manual
- 9. Balancing eBooks and Physical Books Sony Portable Media Storage User Manual
  - Benefits of a Digital Library
  - Creating a Diverse Reading Collection Sony Portable Media Storage User Manual
- 10. Overcoming Reading Challenges
  - Dealing with Digital Eye Strain
  - Minimizing Distractions
  - Managing Screen Time
- 11. Cultivating a Reading Routine Sony Portable Media Storage User Manual
  - Setting Reading Goals Sony Portable Media Storage User Manual
  - Carving Out Dedicated Reading Time
- 12. Sourcing Reliable Information of Sony Portable Media Storage User Manual
  - Fact-Checking eBook Content of Sony Portable Media Storage User Manual
  - Distinguishing Credible Sources



- 
13. Promoting Lifelong Learning
    - Utilizing eBooks for Skill Development
    - Exploring Educational eBooks
  14. Embracing eBook Trends
    - Integration of Multimedia Elements
    - Interactive and Gamified eBooks

### **Sony Portable Media Storage User Manual Introduction**

In this digital age, the convenience of accessing information at our fingertips has become a necessity. Whether its research papers, eBooks, or user manuals, PDF files have become the preferred format for sharing and reading documents. However, the cost associated with purchasing PDF files can sometimes be a barrier for many individuals and organizations. Thankfully, there are numerous websites and platforms that allow users to download free PDF files legally. In this article, we will explore some of the best platforms to download free PDFs. One of the most popular platforms to download free PDF files is Project Gutenberg. This online library offers over 60,000 free eBooks that are in the public domain. From classic literature to historical documents, Project Gutenberg provides a wide range of PDF files that can be downloaded and enjoyed on various devices. The website is user-friendly and allows users to search for specific titles or browse through different categories. Another reliable platform for downloading Sony Portable Media Storage User Manual free PDF files is Open Library. With its vast collection of over 1 million eBooks, Open Library has something for every reader. The website offers a seamless experience by providing options to borrow or download PDF files. Users simply need to create a free account to access this treasure trove of knowledge. Open Library also allows users to contribute by uploading and sharing their own PDF files, making it a collaborative platform for book enthusiasts. For those interested in academic resources, there are websites dedicated to providing free PDFs of research papers and scientific articles. One such website is Academia.edu, which allows researchers and scholars to share their work with a global audience. Users can download PDF files of research papers, theses, and dissertations covering a wide range of subjects. Academia.edu also provides a platform for discussions and networking within the academic community. When it comes to downloading Sony Portable Media Storage User Manual free PDF files of magazines, brochures, and catalogs, Issuu is a popular choice. This digital publishing platform hosts a vast collection of publications from around the world. Users can search for specific titles or explore various categories and genres. Issuu offers a seamless reading experience with its user-friendly interface and allows users to download PDF files for offline reading. Apart from dedicated platforms, search engines also play a crucial role in finding free PDF files. Google, for instance, has an advanced search feature that allows users to filter results by file type. By specifying the file type as "PDF,"

users can find websites that offer free PDF downloads on a specific topic. While downloading Sony Portable Media Storage User Manual free PDF files is convenient, it's important to note that copyright laws must be respected. Always ensure that the PDF files you download are legally available for free. Many authors and publishers voluntarily provide free PDF versions of their work, but it's essential to be cautious and verify the authenticity of the source before downloading Sony Portable Media Storage User Manual. In conclusion, the internet offers numerous platforms and websites that allow users to download free PDF files legally. Whether it's classic literature, research papers, or magazines, there is something for everyone. The platforms mentioned in this article, such as Project Gutenberg, Open Library, Academia.edu, and Issuu, provide access to a vast collection of PDF files. However, users should always be cautious and verify the legality of the source before downloading Sony Portable Media Storage User Manual any PDF files. With these platforms, the world of PDF downloads is just a click away.

### **FAQs About Sony Portable Media Storage User Manual Books**

How do I know which eBook platform is the best for me? Finding the best eBook platform depends on your reading preferences and device compatibility. Research different platforms, read user reviews, and explore their features before making a choice. Are free eBooks of good quality? Yes, many reputable platforms offer high-quality free eBooks, including classics and public domain works. However, make sure to verify the source to ensure the eBook's credibility. Can I read eBooks without an eReader? Absolutely! Most eBook platforms offer web-based readers or mobile apps that allow you to read eBooks on your computer, tablet, or smartphone. How do I avoid digital eye strain while reading eBooks? To prevent digital eye strain, take regular breaks, adjust the font size and background color, and ensure proper lighting while reading eBooks. What's the advantage of interactive eBooks? Interactive eBooks incorporate multimedia elements, quizzes, and activities, enhancing the reader engagement and providing a more immersive learning experience. Sony Portable Media Storage User Manual is one of the best books in our library for free trial. We provide a copy of Sony Portable Media Storage User Manual in digital format, so the resources that you find are reliable. There are also many eBooks related to Sony Portable Media Storage User Manual. Where to download Sony Portable Media Storage User Manual online for free? Are you looking for Sony Portable Media Storage User Manual PDF? This is definitely going to save you time and cash in something you should think about.

**Find Sony Portable Media Storage User Manual :**

**ingersoll rand air compressor portable**

[invisible anna clendening lyrics](#)

**internal traits list**

[inca aztec and mayan map](#)

[indian passport sample](#)

**integrated circuit op amp**

[is algebra 1a advanced](#)

**internal control over financial reporting checklist pdf**

[interesting facts about apes](#)

[introductory chemistry 9th edition](#)

**introduction to risk management coursera answers**

[instructional materials service](#)

[introduction to embedded systems](#)

[ina garten collard greens](#)

**intro criminal justice**

**Sony Portable Media Storage User Manual :**