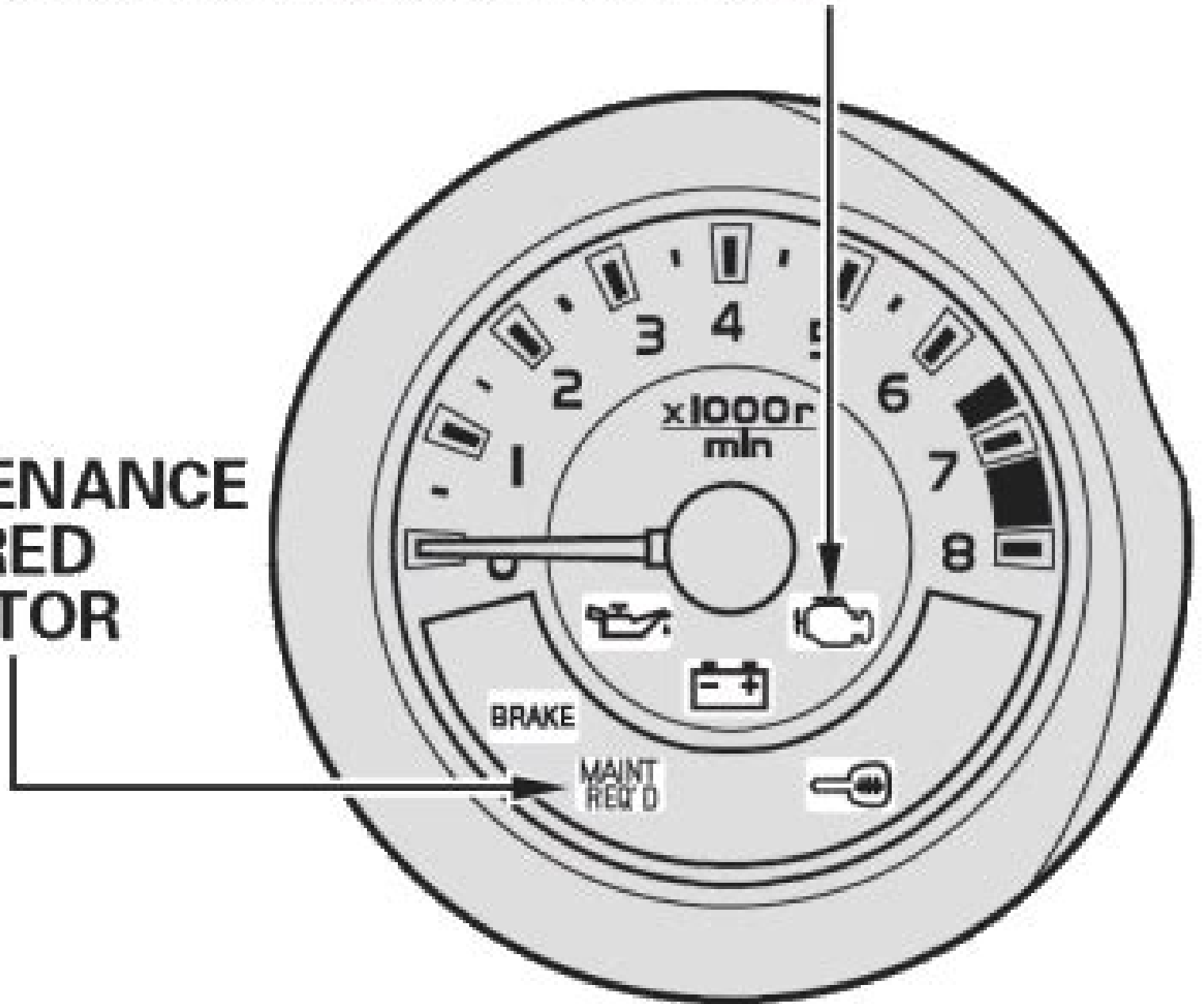


MALFUNCTION INDICATOR LAMP

**MAINTENANCE
REQUIRED
INDICATOR**



Reset Check Engine Light Honda Element

EW Minium



Reset Check Engine Light Honda Element

bon dia bobiblÚ punset elsa sr sÁnchez libro en - Aug 04 2022

web bon dia bobiblÚ punset elsa sr sÁnchez 5 99 una nova col lecci3 d elsa punset per al pÚblic preescolar el bobi i el blu s3n inseparables apren

bon dia bobiblÚ bobliblÚ punset elsa sr - Apr 12 2023

web bon dia bobiblÚ bobliblÚ punset elsa sr sÁnchez 14 96 una nova col lecci3 d elsa punset per al pÚblic preescolar el bobi i el blu s3n insep

bon dia bobiblÚ overdrive - Mar 11 2023

web oct 10 2019 a bon dia bobiblÚ els nostres amiguets donen la benvinguda al dia amb alegria esmorzen i es preparen per anar al parc per3 abans cal recollir ho tot i desar ho al seu lloc

cinderella ost bibbidi bobbidi boo turkish şarkı sözleri tr - Jan 29 2022

web cinderella ost bibbidi bobbidi boo turkish şarkı sözleri Şimdi sıra sihirli sözcüklerde salaka dula sihirli bula bi bi di ba

bon dia bobiblÚ - Nov 07 2022

web aprenen junts s ajuden s enfaden i fan les paus passen tant temps junts que tothom els diu bobiblÚ per mitjà de les seves aventures i vivències i d un resum senzill al final del llibre amb pistes molt Útils tant pares com nens aprendran a entrenar les rutines de cada dia i les habilitats personals i a enfortir la intel ligència

bon dia bobiblÚ vol 1 bobiblu punset elsa sr - Mar 31 2022

web bon dia bobiblÚ vol 1 bobiblu punset elsa sr sÁnchez 14 95 una nova col lecci3 d elsa punset per al pÚblic preescolar el bobi i el blu s3n i

bon dia bobiblÚ bobiblÚ google play - Jul 15 2023

web bon dia bobiblÚ bobiblÚ ebook written by elsa punset sr sÁnchez read this book using google play books app on your pc android ios devices download for offline reading highlight

vip hediyeler vip hediye Önerileri İstanbul da deneyim - Dec 28 2021

web bodo hediyeler vip hediyeler İki kiři için mix masajı 31 yorum katılımcılar profesyonel mas3rlerden masaj uygulaması için spa salonuna gidecekler seans boyunca birkaç masaj türü uygulanacaktır 1500 tl 2 kiři 60 dk masaj toplam 2 5 saat hediye et aile için kumsalda at binme 5 yorum

bon dia bobiblÚ bobiblÚ hardcover abebooks - Jan 09 2023

web abebooks com bon dia bobiblú bobiblú 9788448854218 by punset elsa sr sánchez and a great selection of similar new used and collectible books available now at great prices

bon dia bobiblú ona llibres - Jun 02 2022

web a bon dia bobiblú els nostres amiguets donen la benvinguda al dia amb alegria esmorzen i es preparen per anar al parc però abans cal recollir ho tot i desar ho al seu lloc una nova col lecció d elsa punset per al públic preescolar

bon dia bobiblú 9788448854768 cultura - Oct 06 2022

web bon dia bobiblú aux éditions beascoa una nova col lecció d elsa punset per al públic preescolar el bobí i el blu són inseparables aprenen junts s ajuden s enfaden i fan les paus passen tant

buenos días bobiblú librotea - Jul 03 2022

web buenos días bobiblú punset elsa editorial beascoa sinopsis una nueva colección de elsa punset para público preescolar bobí y blu son inseparables aprenden juntos se ayudan se enfadan y se reconcilian pasan tanto

[bon dia bobiblu bobliblu elsa punset sr](#) - Sep 05 2022

web comprar el libro bon dia bobiblú bobliblú de elsa punset ediciones beascoa 9788448854218 con envío gratis desde 18 en nuestra librería online agapea com ver opiniones resumen sinopsis del libro

bon dia bobiblu punset elsa sr sanchez - Feb 27 2022

web bon dia bobiblu punset elsa sr sanchez 29 204 una nova col lecció d elsa punset per al públic preescolar el bobí i el blu són inseparables aprenen junts s

bon dia bobiblú bobliblú de elsa punset e sr sánchez libro - May 13 2023

web compre o livro bon dia bobiblú bobliblú de elsa punset e sr sánchez em wook pt livro com 10 de desconto e portes grátis

bon dia bobiblú bobliblú amazon com tr - Aug 16 2023

web bon dia bobiblú bobliblú punset elsa sr sánchez amazon com tr kitap

[bon dia bobiblú librotea](#) - Feb 10 2023

web una nova col lecció d elsa punset per al públic preescolar el bobí i el blu són inseparables aprenen junts s ajuden s enfaden i fan les paus passen tant temps junts que tothom els diu bobiblú per mitjà de les seves aventures i vivències i d un resum senzill al final del llibre amb pistes molt útils tant pares com nens aprendran a entrenar les rutines de cada

bon dia bobiblú bobiblú penguin llibres - Jun 14 2023

web aprenen junts s ajuden s enfaden i fan les paus passen tant temps junts que tothom els diu bobiblú per mitjà de les seves aventures i vivències i d un resum senzill al final del llibre amb pistes molt útils tant pares com nens aprendran a entrenar les rutines de cada dia i les habilitats personals i a enfortir la intel·ligència

bon dia bobiblú penguin libros - Dec 08 2022

web aprenen junts s ajuden s enfaden i fan les paus passen tant temps junts que tothom els diu bobiblÚ per mitjà de les seves aventures i vivències i d un resum senzill al final del llibre amb pistes molt útils tant pares com nens aprendran a entrenar les rutines de cada dia i les habilitats personals i a enfortir la intel·ligència

bon dia bobiblú ebook elsa punset 9788448854768 - May 01 2022

web bon dia bobiblú una nova col·lecció d elsa punset per al públic preescolar el bobí i el blu són inseparables aprenen junts s ajuden s enfaden i

classical music picture book hardcover 1 june 2016 - Jul 25 2022

web discover our symphonic selection of classical music writing including fascinating biographies of beloved classical composers gorgeous gift books the best classical

classical music picture book usborne publishing - Jun 23 2022

web classical music is often seen as being unapproachable demanding and difficult the domain of geniuses and prodigies not for ordinary mortals this delightful book makes

classical music picture book anthony marks google books - Jun 04 2023

web oct 1 2018 through the combination of story illustration and recording of 11 timeless classical music the book does indeed transport the readers to magical places the

classical music picture book anthony marks 9781474915823 - Aug 26 2022

web aug 28 2018 this captivating book will broaden your understanding of classical music with more than 90 pieces of world famous music packed with facts charts timelines

classical music books waterstones - Mar 21 2022

web about the complete classical music guide packed with photographs composer biographies analyses of major works and essential information on every musical genre

best books of 2021 classical music financial times - May 23 2022

web klasik müzik kitabı en uygun fiyat hızlı kargo ve kapıda ödeme seçenekleriyle bkmkitap.com da klasik müzik kitabı avantajlı fiyatlarıyla hemen satın almak için tıklayın

klasik müzik kitabı bkmkitap - Jan 19 2022

the best classical music books picked by 9 000 authors - Feb 17 2022

picture books about music teaching with children s - Nov 28 2022

web buy classical music picture book online on amazon eg at best prices fast and free shipping free returns cash on delivery

available on eligible purchase

[classical music picture books 57 books goodreads](#) - Oct 08 2023

web jun 1 2016 a lively illustrated introduction to classical music with thematic topics including ballet the orchestra music and nature and music and art and technology for

classical music picture book abebooks - Jan 31 2023

web classical music picture books 98 results sort by skip to main search results children s picture book of classical music romeo and juliet with soundtrack cd chinese

amazon best sellers best classical music - Dec 18 2021

[picture books about the art of music 233 books goodreads](#) - Apr 02 2023

web classical music picture book isbn 10 1474915825 isbn 13 9781474915823 gardners vi books ams006 hardcover

[20 best classical music books of all time bookauthority](#) - Oct 28 2022

web classical music picture book discover the quicklinks for this book age 7 choose a page number to find out more about the music described in this book or scroll down to

the complete classical music guide penguin random house - Nov 16 2021

simply fantastic an introduction to classical music - May 03 2023

web marks a classical music picture book with internet links and qr links to hear music samples by marks anthony and a great selection of related books art and collectibles

picture books about music and musicians goodreads - Sep 07 2023

web a fascinating pictorial introduction to the increasingly popular world of classical music what is classical music who were the celebrity composers and musicians of their

classical music picture book 9781474915823 abebooks - Dec 30 2022

web sep 6 2016 classical music picture book anthony marks on amazon com free shipping on qualifying offers classical music picture book

[classical music picture books abebooks](#) - Sep 26 2022

web nov 19 2021 by susan tomes yale 16 99 25 choosing just 100 pieces to represent the whole of the piano literature is going to be the source of endless discussion susan

classical music picture book hardcover 1 jun 2016 - Aug 06 2023

web jun 16 2014 simply fantastic an introduction to classical music hardcover picture book june 16 2014

picture books about music and songs 49 books goodreads - Jul 05 2023

web picture books about the art of music picture books fiction or non fiction aimed at children about the art of music musicians composers creation of music instruments

the classical music book big ideas simply explained dk big - Apr 21 2022

web 41 offers from 3 99 34 a first book of christmas songs for the beginning pianist with downloadable mp3s dover classical piano music for beginners bergerac 1 891

allegro a musical journey through 11 musical masterpieces - Mar 01 2023

web profiles offer revealing insights into what drove each individual to create the musical masterpieces symphonies concertos and operatic scores that changed the direction

payslip templates download salary templates online zoho payroll - Oct 07 2022

web payslip templates that reflect your brand choose from our collection of payslip templates that show your employees salary with a detailed breakdown of salary components taxes and deductions try zoho payroll request a demo

online payslip generator paysliper - Jun 15 2023

web register instantly creates customized payslip online it is free and easy generate salary slip with complete flexibility and unlimited downloads

payroll templates microsoft create - Feb 28 2022

web get the checks out with these payroll templates you can count on these templates to help you figure out where the money s going and how much everyone gets week after week and month after month help your business streamline the payroll process with these customizable templates and prepare for an easier payday

25 sample payroll slip templates in pdf ms word - May 02 2022

web your employees are paid twice a month depending on your company policy your payroll period may vary from the 1st to the 15th and the 16th to the 30th day of the month or the 11th to 25th and the 26th to the 10th of each month after adding the payment period of your payroll include your payroll s other information

free salary pay slip generator - Jan 30 2022

web don t waste any more time in regards to payslips generate free online payslips today without any headache or hassle we provide our unique and easy to use payslip template you ll be able to make your first payslip online in minutes using our

free sample payslip template pdf word excel google docs - Jul 16 2023

web dec 5 2020 monthly payslip template a monthly salary slip is proof of the salary an employee receives from the employer per month apart from this the employee can apply for a loan or a mortgage using this document a monthly payslip template comprises payment month and year and the other necessary details pdf word salary payslip

free payslip template payslip generator xero uk - Jun 03 2022

web this payslip template comes with a how to guide that includes an example of how to fill one out in short you ll enter wages or salary earned then note down deductions for things like tax and retirement there s also a field on this payslip template where you can note down reimbursements

monthly payslip templates for ms excel excel templates - Apr 13 2023

web monthly payslip usually includes the details about the payment made to the employee after the period of 1 month this document serves as a proof that the employee has received the salary in case of any dispute the monthly pay slip can be presented as evidence that the employee was being paid on regular basis

10 salary slip templates for free excel and word templates - Aug 05 2022

web oct 6 2022 download 10 salary slip templates for free excel and word to help you prepare your salary slip easily in most organizations and companies the salaries of employees are transferred directly to their bank accounts and as soon their bank account is debited with the salary they get a notification from the bank

free payslip template excel word pdf excel tmp - Sep 18 2023

web posted on april 12 2017 by exceltmp a payslip template excel word pdf is utilized for specifying the pay points of interest of workers of an association it contains the insights about the measure of pay that is paid to a representative on the month to month or consistent schedule

free online payslip generator india zoho payroll - Apr 01 2022

web a salary slip is only available to salaried employees and your employer is responsible for providing you a copy of your payslip every month how can you generate payslips with this tool as the name suggests using the free payslip generator you will be able to create and disburse payslips to all your employees

payslip template in excel build a free excel payslip template - May 14 2023

web payslip or salary slip template in excel is the receipt given by the employer to their employees every month upon payment of salary to the employee for the services rendered in the month a payslip consists of all kinds of earnings and deductions under various heads as per the norms given by the government in the respective financial year

simple salary slip formats in excel word pdf download hr - Nov 08 2022

web step 1 to create a salary slip pay slip open a new excel sheet and write your company name address and payslip month year in the first three rows of the excel file step 2 now enter the employee s general details like name designation department date of joining gross salary bank details and any other required information as per

creating an employee payslip free payslip template excel - Jul 04 2022

web aug 4 2023 creating an employee payslip free payslip template excel viktorija nikoloska august 4 2023 9 min read legal

finance payslips can be confusing they contain a huge amount of information eyes immediately look to the bottom of the page to see the amount received that month

online payslip generator how to create payslip online asanify - Sep 06 2022

web oct 24 2020 the salary slip includes details of the monthly income which is an indicator of how well you can meet debt requirements hence the payslip is important when applying for loans credit cards mortgages on entities etc 6 downsides of not getting an online payslip some of you might still be receiving physical copies of salary slips

salary slip 10 examples format pdf examples - Mar 12 2023

web essential components of a salary slip every month or even twice a month for certain companies and different countries you re likely to receive a salary slip for the finance department of your company once the salary gets paid out

15 free payroll templates smartsheet - Dec 09 2022

web jul 18 2017 choose from spreadsheets and forms for microsoft excel and word pdf and google sheets we ve also provided free payroll templates in smartsheet a work execution platform that empowers you to more efficiently manage your finance operations with real time collaboration and process automation

payslip sample template payslip - Aug 17 2023

web payslip or salary slip is a document record that employers give to employees each time they receive their earnings the payslip mainly informs the employee of the gross pay deductions done and the remaining net pay the payslip also provides evidence of earnings and proof of employment

free pay stub templates smartsheet - Feb 11 2023

web may 15 2017 pay period regardless of whether paychecks are issued weekly bi weekly or monthly listing the current pay period provides clear documentation for both employees and employers payment details a pay stub can show amounts as well as types of income earned by breaking payments down into hourly wages overtime pay vacation hours

excel personel maaş hesaplama tablosu bilişim teknolojileri - Jan 10 2023

web Önceki örneklerimizde Ürün satış tablosu hesaplama işlemlerini yapmıştık şimdi ise excel ile personel maaş hesaplama tablosunu temel excel formülleri ile gerçekleştireceğiz uygulamanın çözümünü aşağıdaki videodan takip edebilirsiniz tablomuzda kullanacağımız temel excel formülleri topla eğer eğersay etopla ve boşluksay bu formüllerin maaş

This is likewise one of the factors by obtaining the soft documents of this **Reset Check Engine Light Honda Element** by online. You might not require more grow old to spend to go to the ebook establishment as well as search for them. In some cases, you likewise reach not discover the revelation Reset Check Engine Light Honda Element that you are looking for. It will enormously squander the time.

However below, in the manner of you visit this web page, it will be consequently no question easy to get as competently as download lead Reset Check Engine Light Honda Element

It will not tolerate many epoch as we notify before. You can get it even if deed something else at house and even in your workplace. hence easy! So, are you question? Just exercise just what we find the money for below as competently as review **Reset Check Engine Light Honda Element** what you taking into consideration to read!

https://offsite.creighton.edu/files/virtual-library/Documents/kenyon_martin_kiss_tattoo.pdf

https://offsite.creighton.edu/files/virtual-library/Documents/kurt_cobain_age_today.pdf

https://offsite.creighton.edu/files/virtual-library/Documents/la_libre_parole.pdf

Table of Contents Reset Check Engine Light Honda Element

1. Understanding the eBook Reset Check Engine Light Honda Element
 - The Rise of Digital Reading Reset Check Engine Light Honda Element
 - Advantages of eBooks Over Traditional Books
2. Identifying Reset Check Engine Light Honda Element
 - Exploring Different Genres
 - Considering Fiction vs. Non-Fiction

- Determining Your Reading Goals
- 3. Choosing the Right eBook Platform
 - Popular eBook Platforms
 - Features to Look for in an Reset Check Engine Light Honda Element
 - User-Friendly Interface
- 4. Exploring eBook Recommendations from Reset Check Engine Light Honda Element
 - Personalized Recommendations
 - Reset Check Engine Light Honda Element User Reviews and Ratings
 - Reset Check Engine Light Honda Element and Bestseller Lists
- 5. Accessing Reset Check Engine Light Honda Element Free and Paid eBooks
 - Reset Check Engine Light Honda Element Public Domain eBooks
 - Reset Check Engine Light Honda Element eBook Subscription Services
 - Reset Check Engine Light Honda Element Budget-Friendly Options
- 6. Navigating Reset Check Engine Light Honda Element eBook Formats
 - ePub, PDF, MOBI, and More
 - Reset Check Engine Light Honda Element Compatibility with Devices
 - Reset Check Engine Light Honda Element Enhanced eBook Features
- 7. Enhancing Your Reading Experience
 - Adjustable Fonts and Text Sizes of Reset Check Engine Light Honda Element
 - Highlighting and Note-Taking Reset Check Engine Light Honda Element
 - Interactive Elements Reset Check Engine Light Honda Element
- 8. Staying Engaged with Reset Check Engine Light Honda Element
 - Joining Online Reading Communities
 - Participating in Virtual Book Clubs
 - Following Authors and Publishers Reset Check Engine Light Honda Element
- 9. Balancing eBooks and Physical Books Reset Check Engine Light Honda Element
 - Benefits of a Digital Library
 - Creating a Diverse Reading Collection Reset Check Engine Light Honda Element
- 10. Overcoming Reading Challenges
 - Dealing with Digital Eye Strain

- Minimizing Distractions
- Managing Screen Time
- 11. Cultivating a Reading Routine Reset Check Engine Light Honda Element
 - Setting Reading Goals Reset Check Engine Light Honda Element
 - Carving Out Dedicated Reading Time
- 12. Sourcing Reliable Information of Reset Check Engine Light Honda Element
 - Fact-Checking eBook Content of Reset Check Engine Light Honda Element
 - Distinguishing Credible Sources
- 13. Promoting Lifelong Learning
 - Utilizing eBooks for Skill Development
 - Exploring Educational eBooks
- 14. Embracing eBook Trends
 - Integration of Multimedia Elements
 - Interactive and Gamified eBooks

Reset Check Engine Light Honda Element Introduction

In this digital age, the convenience of accessing information at our fingertips has become a necessity. Whether its research papers, eBooks, or user manuals, PDF files have become the preferred format for sharing and reading documents. However, the cost associated with purchasing PDF files can sometimes be a barrier for many individuals and organizations. Thankfully, there are numerous websites and platforms that allow users to download free PDF files legally. In this article, we will explore some of the best platforms to download free PDFs. One of the most popular platforms to download free PDF files is Project Gutenberg. This online library offers over 60,000 free eBooks that are in the public domain. From classic literature to historical documents, Project Gutenberg provides a wide range of PDF files that can be downloaded and enjoyed on various devices. The website is user-friendly and allows users to search for specific titles or browse through different categories. Another reliable platform for downloading Reset Check Engine Light Honda Element free PDF files is Open Library. With its vast collection of over 1 million eBooks, Open Library has something for every reader. The website offers a seamless experience by providing options to borrow or download PDF files. Users simply need to create a free account to access this treasure trove of knowledge. Open Library also allows users to contribute by uploading and sharing their own PDF files, making it a collaborative platform for book enthusiasts. For those interested in academic resources, there are websites dedicated to providing free PDFs of research papers and scientific articles. One such website is Academia.edu, which allows

researchers and scholars to share their work with a global audience. Users can download PDF files of research papers, theses, and dissertations covering a wide range of subjects. Academia.edu also provides a platform for discussions and networking within the academic community. When it comes to downloading Reset Check Engine Light Honda Element free PDF files of magazines, brochures, and catalogs, Issuu is a popular choice. This digital publishing platform hosts a vast collection of publications from around the world. Users can search for specific titles or explore various categories and genres. Issuu offers a seamless reading experience with its user-friendly interface and allows users to download PDF files for offline reading. Apart from dedicated platforms, search engines also play a crucial role in finding free PDF files. Google, for instance, has an advanced search feature that allows users to filter results by file type. By specifying the file type as "PDF," users can find websites that offer free PDF downloads on a specific topic. While downloading Reset Check Engine Light Honda Element free PDF files is convenient, it's important to note that copyright laws must be respected. Always ensure that the PDF files you download are legally available for free. Many authors and publishers voluntarily provide free PDF versions of their work, but it's essential to be cautious and verify the authenticity of the source before downloading Reset Check Engine Light Honda Element. In conclusion, the internet offers numerous platforms and websites that allow users to download free PDF files legally. Whether it's classic literature, research papers, or magazines, there is something for everyone. The platforms mentioned in this article, such as Project Gutenberg, Open Library, Academia.edu, and Issuu, provide access to a vast collection of PDF files. However, users should always be cautious and verify the legality of the source before downloading Reset Check Engine Light Honda Element any PDF files. With these platforms, the world of PDF downloads is just a click away.

FAQs About Reset Check Engine Light Honda Element Books

How do I know which eBook platform is the best for me? Finding the best eBook platform depends on your reading preferences and device compatibility. Research different platforms, read user reviews, and explore their features before making a choice. Are free eBooks of good quality? Yes, many reputable platforms offer high-quality free eBooks, including classics and public domain works. However, make sure to verify the source to ensure the eBook's credibility. Can I read eBooks without an eReader? Absolutely! Most eBook platforms offer web-based readers or mobile apps that allow you to read eBooks on your computer, tablet, or smartphone. How do I avoid digital eye strain while reading eBooks? To prevent digital eye strain, take regular breaks, adjust the font size and background color, and ensure proper lighting while reading eBooks. What's the advantage of interactive eBooks? Interactive eBooks incorporate multimedia elements, quizzes, and activities, enhancing the reader engagement and providing a more immersive learning experience. Reset Check Engine Light Honda

Element is one of the best book in our library for free trial. We provide copy of Reset Check Engine Light Honda Element in digital format, so the resources that you find are reliable. There are also many Ebooks of related with Reset Check Engine Light Honda Element. Where to download Reset Check Engine Light Honda Element online for free? Are you looking for Reset Check Engine Light Honda Element PDF? This is definitely going to save you time and cash in something you should think about. If you trying to find then search around for online. Without a doubt there are numerous these available and many of them have the freedom. However without doubt you receive whatever you purchase. An alternate way to get ideas is always to check another Reset Check Engine Light Honda Element. This method for see exactly what may be included and adopt these ideas to your book. This site will almost certainly help you save time and effort, money and stress. If you are looking for free books then you really should consider finding to assist you try this. Several of Reset Check Engine Light Honda Element are for sale to free while some are payable. If you arent sure if the books you would like to download works with for usage along with your computer, it is possible to download free trials. The free guides make it easy for someone to free access online library for download books to your device. You can get free download on free trial for lots of books categories. Our library is the biggest of these that have literally hundreds of thousands of different products categories represented. You will also see that there are specific sites catered to different product types or categories, brands or niches related with Reset Check Engine Light Honda Element. So depending on what exactly you are searching, you will be able to choose e books to suit your own need. Need to access completely for Campbell Biology Seventh Edition book? Access Ebook without any digging. And by having access to our ebook online or by storing it on your computer, you have convenient answers with Reset Check Engine Light Honda Element To get started finding Reset Check Engine Light Honda Element, you are right to find our website which has a comprehensive collection of books online. Our library is the biggest of these that have literally hundreds of thousands of different products represented. You will also see that there are specific sites catered to different categories or niches related with Reset Check Engine Light Honda Element So depending on what exactly you are searching, you will be able to choose ebook to suit your own need. Thank you for reading Reset Check Engine Light Honda Element. Maybe you have knowledge that, people have search numerous times for their favorite readings like this Reset Check Engine Light Honda Element, but end up in harmful downloads. Rather than reading a good book with a cup of coffee in the afternoon, instead they juggled with some harmful bugs inside their laptop. Reset Check Engine Light Honda Element is available in our book collection an online access to it is set as public so you can download it instantly. Our digital library spans in multiple locations, allowing you to get the most less latency time to download any of our books like this one. Merely said, Reset Check Engine Light Honda Element is universally compatible with any devices to read.

Find Reset Check Engine Light Honda Element :

kenyon martin kiss tattoo

kurt cobain age today

la libre parole

killer sudoku pdf

lab population ecology graphs answer key

kenmore dishwasher model 665 troubleshooting

knapp business solutions

kuan yin oracle

la biblia profecias

labeling the hand bones

kruskal wallis spss

killeen teacher arrested

la plume bakery

kermit the frog pics

lab pivot point

Reset Check Engine Light Honda Element :