

T15040EN04601

Fuel Camshaft

1. Remove the screws and draw out the camshaft with the gear on it.
2. Remove the retaining plate (1).
3. Remove the screws, then draw out the injection pump gear (2) and fuel camshaft (3) with the governor fork assembly.

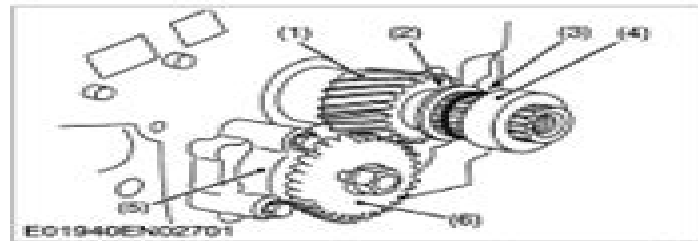
(When reassembling)

- Hook the spring to the fork lever 2 (4) as shown in the figure before installing the fork lever assembly to the crankcase.

- (1) Retaining Plate
(2) Injection Pump Gear
(3) Fuel Camshaft

- (4) Fork Lever 2
(5) Fork Lever 1
(6) Governor Sleeve

W10178820



EO1940EN02701

Oil Pump and Crankshaft Gear

1. Remove the oil pump gear (6).
2. Remove the oil pump (5).
3. Remove the collar (4), O-ring (3) and oil slinger (2).
4. Remove the crankshaft gear (1) with a puller.

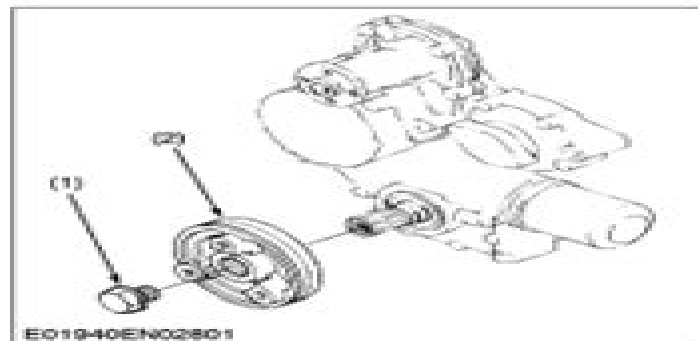
(When reassembling)

- Install the oil slinger (2) and O-ring (3) after aligning the marks on the gears. (See the figure at "Idle Gear".)
- Install the crankshaft collar (4) after installing the gear case cover.

- (1) Crankshaft Gear
(2) Crankshaft Oil Slinger
(3) O-ring

- (4) Crankshaft Collar
(5) Oil Pump
(6) Oil Pump Gear

W10180290

**(C) Timing Gears, Fuel Camshaft and Camshaft
[D1105-E-ZD]**

EO1940EN02801

Fan Drive Pulley

1. Set the stopper to the flywheel.
2. Remove the fan drive pulley screw (1).
3. Draw out the fan drive pulley (2) with a puller.

(When reassembling)

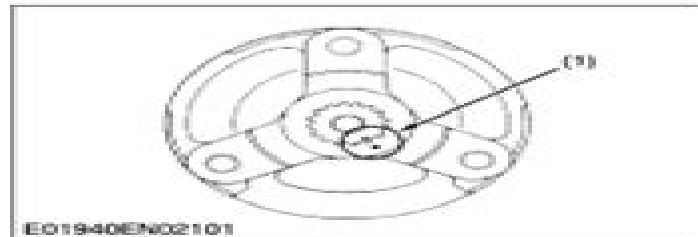
- Install the fan drive pulley to the crankshaft, aligning the marks (3) on them.

Tightening torque	Fan drive pulley retaining screw	235.4 to 245.2 N·m 24.0 to 25.0 kgf·m 173.6 to 180.6 ft·lbs
-------------------	----------------------------------	---

- (1) Fan Drive Pulley Screw
(2) Fan Drive Pulley

- (3) Aligning Mark

W1035250



EO1940EN02101

Kubota Zd28 Service Manual

Jay Storer



Kubota Zd28 Service Manual
Kubota Shop Manual Penton Staff,2000-05-24 Models L175 L210 L225 L225DT L260 Models B5100D B5100E B6100D B6100E B6100HST D B6100HST E B7100D B7100HST D B7100HST E Models L185 L235 L245 L275 L285 L295 L305 L345 L355
Kubota Lawn Tractor. Model T1400, T1400H Workshop Manual Kubota Tekkō Kabushiki Kaisha,198?
Mistubishi Jeep Diesel English Service Manual 4DR5 James Danko,2009-03-03 Complete factory style service manual for Mitsubishi Jeeps produced in Japan This manual covers both Military Civilian versions of domestic and export versions Complete rebuild of you engine and turbocharger if equipped Easy to use diagrams and full specification guide Rebuild your engine Fuel Injection timing gears starter alternator and more This book is a must for the Mitsubishi Jeep owner All written in English
Mazda Bongo Friendee Service Manual JPNZ (Firm),2006
CJ-10 Technical Service Manual ,1982
Kawasaki KD80X Motorcycle Service Manual Kawasaki Jūkōgyō Kabushiki Kaisha,1987
John Deere 2155 Tractor Technical Service Repair Manual ,1989-12-15
John Deere 310A Backhoe Loader Tractor Technical Service Repair Manual ,1982-12-15
Dodge Durango/Dakota Repair Manual Jay Storer,2005 Covers all Dodge Durango and Dakota models 2001 through 2003
Mitsubishi Pajero Mini 660cc English Mechanical Factory Service Manual James Danko,2011
Service Manual ,1972
Service Manual, 3408 & 3408B Diesel Truck Engine Caterpillar Inc,1987
<i>Service Manual [for] R-1234-51812</i> Oshkosh Truck Corporation,196?
<i>Service Manual, 3406B Diesel Truck Engine</i> Caterpillar Inc,1987
Service Manual, 3406C (PEEC III) Diesel Truck Engine Caterpillar Inc,1994
Kawasaki KZ440 Motorcycle Service Manual ,1982
Service Manual Caterpillar Tractor Company (U.S.A),1983
Caterpillar Service Manual Caterpillar Company,2000
Dispatcher 100 ,1974
Service Manual, 3306B Diesel Truck Engine Caterpillar Inc,1988*

Kubota Zd28 Service Manual: Bestsellers in 2023 The year 2023 has witnessed a remarkable surge in literary brilliance, with numerous engrossing novels captivating the hearts of readers worldwide. Lets delve into the realm of bestselling books, exploring the fascinating narratives that have captivated audiences this year. Kubota Zd28 Service Manual : Colleen Hoover "It Ends with Us" This poignant tale of love, loss, and resilience has gripped readers with its raw and emotional exploration of domestic abuse. Hoover expertly weaves a story of hope and healing, reminding us that even in the darkest of times, the human spirit can triumph. Uncover the Best : Taylor Jenkins Reids "The Seven Husbands of Evelyn Hugo" This captivating historical fiction novel unravels the life of Evelyn Hugo, a Hollywood icon who defies expectations and societal norms to pursue her dreams. Reids absorbing storytelling and compelling characters transport readers to a bygone era, immersing them in a world of glamour, ambition, and self-discovery. Discover the Magic : Delia Owens "Where the Crawdads Sing" This evocative coming-of-age story follows Kya Clark, a young woman who grows up alone in the marshes of North Carolina. Owens spins a tale of resilience, survival, and the transformative power of nature, captivating readers with its evocative prose and mesmerizing setting. These bestselling novels represent just a fraction of the literary treasures that have emerged in 2023. Whether you seek tales of romance, adventure, or personal growth, the world of literature offers an abundance of captivating stories waiting to be discovered. The novel begins with Richard Papen, a bright but troubled young man, arriving at Hampden College. Richard is immediately drawn to the group of students who call themselves the Classics Club. The club is led by Henry Winter, a brilliant and charismatic young man. Henry is obsessed with Greek mythology and philosophy, and he quickly draws Richard into his world. The other members of the Classics Club are equally as fascinating. Bunny Corcoran is a wealthy and spoiled young man who is always looking for a good time. Charles Tavis is a quiet and reserved young man who is deeply in love with Henry. Camilla Macaulay is a beautiful and intelligent young woman who is drawn to the power and danger of the Classics Club. The students are all deeply in love with Morrow, and they are willing to do anything to please him. Morrow is a complex and mysterious figure, and he seems to be manipulating the students for his own purposes. As the students become more involved with Morrow, they begin to commit increasingly dangerous acts. The Secret History is a masterful and suspenseful novel that will keep you wondering until the very end. The novel is a warning tale about the dangers of obsession and the power of evil.

https://offsite.creighton.edu/results/uploaded-files/default.aspx/fountas_and_pinnell_fluency_chart.pdf

<https://offsite.creighton.edu/results/uploaded-files/default.aspx/frackville%20flats%20senior%20housing.pdf>

<https://offsite.creighton.edu/results/uploaded-files/default.aspx/fred%20brooks%20mythical%20man%20month.pdf>

Table of Contents Kubota Zd28 Service Manual

1. Understanding the eBook Kubota Zd28 Service Manual
 - The Rise of Digital Reading Kubota Zd28 Service Manual
 - Advantages of eBooks Over Traditional Books
2. Identifying Kubota Zd28 Service Manual
 - Exploring Different Genres
 - Considering Fiction vs. Non-Fiction
 - Determining Your Reading Goals
3. Choosing the Right eBook Platform
 - Popular eBook Platforms
 - Features to Look for in an eBook Platform
 - User-Friendly Interface
4. Exploring eBook Recommendations from Kubota Zd28 Service Manual
 - Personalized Recommendations
 - eBook User Reviews and Ratings
 - eBook and Bestseller Lists
5. Accessing Kubota Zd28 Service Manual Free and Paid eBooks
 - eBook Public Domain eBooks
 - eBook Subscription Services
 - eBook Budget-Friendly Options
6. Navigating eBook Formats
 - ePub, PDF, MOBI, and More
 - eBook Compatibility with Devices
 - eBook Enhanced eBook Features
7. Enhancing Your Reading Experience
 - Adjustable Fonts and Text Sizes of eBook
 - Highlighting and Note-Taking eBook
 - Interactive Elements eBook
8. Staying Engaged with eBook

- Joining Online Reading Communities
- Participating in Virtual Book Clubs
- Following Authors and Publishers Kubota Zd28 Service Manual
- 9. Balancing eBooks and Physical Books Kubota Zd28 Service Manual
 - Benefits of a Digital Library
 - Creating a Diverse Reading Collection Kubota Zd28 Service Manual
- 10. Overcoming Reading Challenges
 - Dealing with Digital Eye Strain
 - Minimizing Distractions
 - Managing Screen Time
- 11. Cultivating a Reading Routine Kubota Zd28 Service Manual
 - Setting Reading Goals Kubota Zd28 Service Manual
 - Carving Out Dedicated Reading Time
- 12. Sourcing Reliable Information of Kubota Zd28 Service Manual
 - Fact-Checking eBook Content of Kubota Zd28 Service Manual
 - Distinguishing Credible Sources
- 13. Promoting Lifelong Learning
 - Utilizing eBooks for Skill Development
 - Exploring Educational eBooks
- 14. Embracing eBook Trends
 - Integration of Multimedia Elements
 - Interactive and Gamified eBooks

Kubota Zd28 Service Manual Introduction

In today's digital age, the availability of Kubota Zd28 Service Manual books and manuals for download has revolutionized the way we access information. Gone are the days of physically flipping through pages and carrying heavy textbooks or manuals. With just a few clicks, we can now access a wealth of knowledge from the comfort of our own homes or on the go. This article will explore the advantages of Kubota Zd28 Service Manual books and manuals for download, along with some popular platforms that offer these resources. One of the significant advantages of Kubota Zd28 Service Manual books and manuals for download is the cost-saving aspect. Traditional books and manuals can be costly, especially if you need to purchase

several of them for educational or professional purposes. By accessing Kubota Zd28 Service Manual versions, you eliminate the need to spend money on physical copies. This not only saves you money but also reduces the environmental impact associated with book production and transportation. Furthermore, Kubota Zd28 Service Manual books and manuals for download are incredibly convenient. With just a computer or smartphone and an internet connection, you can access a vast library of resources on any subject imaginable. Whether you're a student looking for textbooks, a professional seeking industry-specific manuals, or someone interested in self-improvement, these digital resources provide an efficient and accessible means of acquiring knowledge. Moreover, PDF books and manuals offer a range of benefits compared to other digital formats. PDF files are designed to retain their formatting regardless of the device used to open them. This ensures that the content appears exactly as intended by the author, with no loss of formatting or missing graphics. Additionally, PDF files can be easily annotated, bookmarked, and searched for specific terms, making them highly practical for studying or referencing. When it comes to accessing Kubota Zd28 Service Manual books and manuals, several platforms offer an extensive collection of resources. One such platform is Project Gutenberg, a nonprofit organization that provides over 60,000 free eBooks. These books are primarily in the public domain, meaning they can be freely distributed and downloaded. Project Gutenberg offers a wide range of classic literature, making it an excellent resource for literature enthusiasts. Another popular platform for Kubota Zd28 Service Manual books and manuals is Open Library. Open Library is an initiative of the Internet Archive, a non-profit organization dedicated to digitizing cultural artifacts and making them accessible to the public. Open Library hosts millions of books, including both public domain works and contemporary titles. It also allows users to borrow digital copies of certain books for a limited period, similar to a library lending system. Additionally, many universities and educational institutions have their own digital libraries that provide free access to PDF books and manuals. These libraries often offer academic texts, research papers, and technical manuals, making them invaluable resources for students and researchers. Some notable examples include MIT OpenCourseWare, which offers free access to course materials from the Massachusetts Institute of Technology, and the Digital Public Library of America, which provides a vast collection of digitized books and historical documents. In conclusion, Kubota Zd28 Service Manual books and manuals for download have transformed the way we access information. They provide a cost-effective and convenient means of acquiring knowledge, offering the ability to access a vast library of resources at our fingertips. With platforms like Project Gutenberg, Open Library, and various digital libraries offered by educational institutions, we have access to an ever-expanding collection of books and manuals. Whether for educational, professional, or personal purposes, these digital resources serve as valuable tools for continuous learning and self-improvement. So why not take advantage of the vast world of Kubota Zd28 Service Manual books and manuals for download and embark on your journey of knowledge?

FAQs About Kubota Zd28 Service Manual Books

How do I know which eBook platform is the best for me? Finding the best eBook platform depends on your reading preferences and device compatibility. Research different platforms, read user reviews, and explore their features before making a choice. Are free eBooks of good quality? Yes, many reputable platforms offer high-quality free eBooks, including classics and public domain works. However, make sure to verify the source to ensure the eBook credibility. Can I read eBooks without an eReader? Absolutely! Most eBook platforms offer webbased readers or mobile apps that allow you to read eBooks on your computer, tablet, or smartphone. How do I avoid digital eye strain while reading eBooks? To prevent digital eye strain, take regular breaks, adjust the font size and background color, and ensure proper lighting while reading eBooks. What the advantage of interactive eBooks? Interactive eBooks incorporate multimedia elements, quizzes, and activities, enhancing the reader engagement and providing a more immersive learning experience. Kubota Zd28 Service Manual is one of the best book in our library for free trial. We provide copy of Kubota Zd28 Service Manual in digital format, so the resources that you find are reliable. There are also many Ebooks of related with Kubota Zd28 Service Manual. Where to download Kubota Zd28 Service Manual online for free? Are you looking for Kubota Zd28 Service Manual PDF? This is definitely going to save you time and cash in something you should think about. If you trying to find then search around for online. Without a doubt there are numerous these available and many of them have the freedom. However without doubt you receive whatever you purchase. An alternate way to get ideas is always to check another Kubota Zd28 Service Manual. This method for see exactly what may be included and adopt these ideas to your book. This site will almost certainly help you save time and effort, money and stress. If you are looking for free books then you really should consider finding to assist you try this. Several of Kubota Zd28 Service Manual are for sale to free while some are payable. If you arent sure if the books you would like to download works with for usage along with your computer, it is possible to download free trials. The free guides make it easy for someone to free access online library for download books to your device. You can get free download on free trial for lots of books categories. Our library is the biggest of these that have literally hundreds of thousands of different products categories represented. You will also see that there are specific sites catered to different product types or categories, brands or niches related with Kubota Zd28 Service Manual. So depending on what exactly you are searching, you will be able to choose e books to suit your own need. Need to access completely for Campbell Biology Seventh Edition book? Access Ebook without any digging. And by having access to our ebook online or by storing it on your computer, you have convenient answers with Kubota Zd28 Service Manual To get started finding Kubota Zd28 Service Manual, you are right to find our website which has a comprehensive collection of books online. Our library is the biggest of these that have literally hundreds of thousands of different products represented. You will also see that there are specific sites catered to different categories or niches related with Kubota Zd28 Service Manual So depending on what exactly you are searching, you will be

able to choose ebook to suit your own need. Thank you for reading Kubota Zd28 Service Manual. Maybe you have knowledge that, people have search numerous times for their favorite readings like this Kubota Zd28 Service Manual, but end up in harmful downloads. Rather than reading a good book with a cup of coffee in the afternoon, instead they juggled with some harmful bugs inside their laptop. Kubota Zd28 Service Manual is available in our book collection an online access to it is set as public so you can download it instantly. Our digital library spans in multiple locations, allowing you to get the most less latency time to download any of our books like this one. Merely said, Kubota Zd28 Service Manual is universally compatible with any devices to read.

Find Kubota Zd28 Service Manual :

fountas and pinnell fluency chart

frackville flats senior housing

fred brooks mythical man month

~~free parking space lease agreement~~

~~free softball player profile template~~

full body henna tattoos

~~free peen practice test questions~~

fundamentals test bank

freemasonry entered apprentice catechism

frontpage web design

free printable autograph pages

fry sight words by grade level

full text julius caesar

~~four greatest chinese novels~~

free printable veterans certificate of appreciation

Kubota Zd28 Service Manual :

die zeit welt und kulturgeschichte bd 11 zeitalte book - Jan 30 2023

web die zeit welt und kulturgeschichte bd 11 zeitalte national library of medicine catalog apr 28 2021 und unterlemmata die die hauptlemmata mit anderen begriffen 1965 70 kulturgeschichte der menschheit bd 11 europa im dreissigjährigen krieg

sep 21 2020 national union catalog aug 01 2021

die zeit welt und kulturgeschichte bd 11 zeitalter der - Oct 27 2022

web jul 3 2023 die zeit welt und kulturgeschichte bd 11 zeitalter der expansionen by joachim fritz vannahme thomas fischermann marc brost is obtainable in our book gathering an online access to it is set as public so you can get it swiftly it is your definitely own mature to demonstrate reviewing habit you have endured in right site to begin

die zeit welt und kulturgeschichte bd 11 zeitalte pdf - Sep 06 2023

web die zeit welt und kulturgeschichte bd 11 zeitalte 1 die zeit welt und kulturgeschichte bd 11 zeitalte welt und kulturgeschichte epochen fakten hintergründe in 20 bänden mit dem besten aus der zeit 7 europa im mittelalter europa im mittelalter ii 550 1500 die zeit welt und kulturgeschichte

die zeit welt und kulturgeschichte bd 11 zeitalte pdf uniport edu - Nov 27 2022

web jul 15 2023 die zeit welt und kulturgeschichte bd 11 zeitalte 2 8 downloaded from uniport edu ng on july 15 2023 by guest kaiser gallienus klaus peter johne die illyrischen kaiser als herrscher neuen typs olivier hekster erika manders kaiser gegen kaiser bilder der macht im 3 jahrhundert i 2

die zeit welt und kulturgeschichte bd 11 zeitalter der - Jul 04 2023

web aug 2 2023 bd 5 spätantike und völkerwanderungszeit de zeit lexikon mai 2020 die zeit welt und kulturgeschichte in 20 bänden 02 von w amp a durant kulturgeschichte der menschheit 1 32 32 full text of panorama der welt und kulturgeschichte briefe bewegen die welt bd 6 von hellmuth karasek welt und kulturgeschichte von sentker zva

die zeit welt und kulturgeschichte bd 3 amazon de - Apr 20 2022

web die zeit welt und kulturgeschichte bd 3 frühe kulturen in europa wickert erwin steen uta van blume georg isbn 9783411175932 kostenloser versand für

die zeit welt und kulturgeschichte bd 11 zeitalte pdf hipertexto - Jun 03 2023

web favorite books as soon as this die zeit welt und kulturgeschichte bd 11 zeitalte pdf but end occurring in harmful downloads rather than enjoying a fine book next a mug of coffee in the afternoon then again they juggled taking into consideration some harmful virus inside their computer die zeit welt und kulturgeschichte bd 11 zeitalte pdf

die zeit welt und kulturgeschichte bd 11 zeitalte copy clr imymac - Jul 24 2022

web title die zeit welt und kulturgeschichte bd 11 zeitalte copy clr imymac com author graham cabrera subject die zeit welt und kulturgeschichte

die zeit welt und kulturgeschichte bd 11 zeitalte pdf full pdf - Aug 05 2023

web aug 10 2023 like this die zeit welt und kulturgeschichte bd 11 zeitalte pdf but end up in malicious downloads rather than enjoying a good book with a cup of coffee in the afternoon instead they juggled with some malicious virus inside their

laptop die zeit welt und kulturgeschichte bd 11 zeitalte pdf is available in our digital library an online

die zeit welt und kulturgeschichte bd 11 zeitalter der - Sep 25 2022

web sep 4 2023 zeit welt kulturgeschichte bd 10 ab 2 48 full text of panorama der welt und kulturgeschichte griechische plastik die spätklassische zeit und die wikizero kulturgeschichte der antiken welt die zeit ausgabe 53 2018 archiv zeit online zeit die zeit welt und kulturgeschichte in 20 bänden epochen im raume lesen wir die zeit von

die zeit welt und kulturgeschichte bd 11 zeitalter der - Aug 25 2022

web may 29 2023 binkle universität des saarlandes liste von epidemien und pandemien download die zeit welt und kulturgeschichte bd 19 lexikon die große chronik weltgeschichte in 20 bänden i jetzt zeit lexikon band von die zeit zvaab die zeit welt und kulturgeschichte in 20 bänden 02 von welt und kulturgeschichte von sentker zvaab

die zeit welt und kulturgeschichte in 20 booklooker - May 02 2023

web bucerius 2006 gültig für alle artikel außer neue bücher wird gespeichert die zeit welt und kulturgeschichte in 20 bücher gebraucht antiquarisch neu kaufen preisvergleich käuferschutz wir bücher

die zeit welt und kulturgeschichte bd 11 zeitalte tanja busse - Dec 29 2022

web as this die zeit welt und kulturgeschichte bd 11 zeitalte it ends up beast one of the favored books die zeit welt und kulturgeschichte bd 11 zeitalte collections that we have this is why you remain in the best website to look the amazing book to have das zeitalter des nichts peter watson 2016 10 24

die zeit welt und kulturgeschichte bd 11 zeitalte - Apr 01 2023

web 4 die zeit welt und kulturgeschichte bd 11 zeitalte 2022 06 26 die zeit welt und kulturgeschichte die zeit welt und kulturgeschichte die zeit welt und kulturgeschichte die zeit welt und kulturgeschichte die zeit welt und kulturgeschichte in 20 bänden die zeit welt und kulturgeschichte best sellers

die zeit welt und kulturgeschichte bd 11 zeitalte schleswig - Jan 18 2022

web discover the declaration die zeit welt und kulturgeschichte bd 11 zeitalte that you are looking for it will unquestionably squander the time however below in the manner of you visit this web page it will be appropriately extremely easy to acquire as without difficulty as download guide die zeit welt und kulturgeschichte bd 11 zeitalte

die zeit welt und kulturgeschichte bd 11 zeitalte kelliemay - May 22 2022

web dec 13 2022 die zeit welt und kulturgeschichte bd 11 zeitalte 1 1 downloaded from kelliemay com on december 13 2022 by guest die zeit welt und kulturgeschichte bd 11 zeitalte if you ally habit such a referred die zeit welt und kulturgeschichte bd 11 zeitalte book that will offer you worth acquire the unquestionably best seller

die zeit welt und kulturgeschichte bd 11 zeitalte - Feb 16 2022

web need currently this die zeit welt und kulturgeschichte bd 11 zeitalte as one of the most effective sellers here will

unconditionally be in the middle of the best options to review das säugetier von gottes gnaden ulrich lüke 2016 12 06 der autor selbst theologe und

download free die zeit welt und kulturgeschichte bd 11 zeitalte - Jun 22 2022

web die zeit welt und kulturgeschichte bd 11 zeitalte subject index of the modern works added to the library of the british museum in mathematische unterhaltungen und spiele oct 24 2022 handbuch der kulturgeschichte abt 2 bd 11 die kultur des islams mar 25 2020 announced reprints nov 01 2020 the chora of metaponto 2 may 19 2022

die zeit welt und kulturgeschichte bd 6 aufstieg des islam - Mar 20 2022

web die zeit welt und kulturgeschichte bd 6 aufstieg des islam jaspersen malte lau jörg hess ernst isbn 9783411175963 kostenloser versand für alle

die zeit welt und kulturgeschichte bd 11 zeitalte 2023 - Feb 28 2023

web die zeit welt und kulturgeschichte bd 11 zeitalte this is likewise one of the factors by obtaining the soft documents of this die zeit welt und kulturgeschichte bd 11 zeitalte by online you might not require more period to spend to go to the book initiation as skillfully as search for them in some cases you likewise accomplish not discover

roblox where s the noob search and find book amazon ae - Jan 09 2023

web roblox where s the noob search and find book hardcover coloring book 3 october 2019 by farshore author 4 7 3 227 ratings see all formats and editions

roblox where s the noob by official roblox goodreads - Feb 10 2023

web nov 12 2019 4 52 23 ratings3 reviews embark on a search and find adventure with fan favorite roblox characters join builderman ezebel the pirate queen mr bling bling

roblox where s the noob search and find book farshore - Dec 28 2021

web roblox where s the noob search and find book by farshore 9781405294638 buy new second hand used books online with free uk delivery at awesomebooks com

roblox where s the noob search and find book - Oct 18 2023

web oct 3 2019 embark on a search and find adventure with fan favourite roblox characters join builderman ezebel the pirate queen mr bling bling and other iconic characters as they journey through the imaginative worlds of roblox on a quest to find the

roblox where s the noob search and find book hardcover - Apr 12 2023

web roblox where s the noob search and find book 9781405294638 books amazon ca buy used 14 23 free delivery october 30 november 20

roblox where s the noob search and find book - Nov 07 2022

web embark on a search and find adventure with fan favourite roblox characters join builderman ezebel the pirate queen mr bling bling and other iconic characters as

roblox where s the noob search and find book hardback - Aug 16 2023

web oct 3 2019 synopsis embark on a search and find adventure with fan favourite roblox characters join builderman ezebel the pirate queen mr bling bling and other iconic

roblox where s the noob harpercollins - Mar 11 2023

web nov 12 2019 embark on a search and find adventure with fan favorite roblox characters join builderman ezebel the pirate queen mr bling bling and other iconic

roblox where s the noob search and find book farshore - Aug 04 2022

web embark on a search and find adventure with fan favourite roblox characters join builderman ezebel the pirate queen mr bling bling and other iconic characters as

roblox where s the noob search and find book google books - May 13 2023

web bibliographic information embark on a search and find adventure with fan favourite roblox characters join builderman ezebel the pirate queen mr bling bling and other iconic

roblox where s the noob search and find book hardcover - Sep 05 2022

web embark on a search and find adventure with fan favourite roblox characters join builderman ezebel the pirate queen mr bling bling and other iconic characters as

roblox where s the noob search and find book alibris - Jul 03 2022

web buy roblox where s the noob search and find book by farshore online at alibris we have new and used copies available in 1 editions starting at 15 05 shop now

roblox where s the noob search and find book hardcover - Sep 17 2023

web hello sign in account lists returns orders cart

roblox where s the noob search and find book - Mar 31 2022

web embark on a search and find adventure with fan favourite roblox characters join builderman ezebel the pirate queen mr bling bling and other iconic characters as

roblox where s the noob official roblox amazon com au - May 01 2022

web embark on a search and find adventure with fan favorite roblox characters join builderman ezebel the pirate queen mr bling bling and other iconic characters as

roblox where s the noob official roblox google books - Jun 02 2022

web embark on a search and find adventure with fan favorite roblox characters join builderman ezebel the pirate queen mr

bling bling and other iconic characters as

[roblox where s the noob search and find book by farshore](#) - Oct 06 2022

web oct 3 2019 join builderman ezebel the pirate queen mr bling bling and other iconic characters as they journey through the imaginative worlds of roblox on a quest to find

roblox where s the noob search and find book - Jun 14 2023

web embark on a search and find adventure with fan favourite roblox characters join builderman ezebel the pirate queen mr bling bling and other iconic characters as

[roblox where s the noob search and find book alibris](#) - Feb 27 2022

web embark on a search and find adventure with fan favourite roblox characters join builderman ezebel the pirate queen mr bling bling and other iconic characters as

[roblox where s the noob search and find book](#) - Jul 15 2023

web oct 3 2019 4 31 13 ratings0 reviews embark on a search and find adventure with fan favourite roblox characters join builderman the pirate queen mr bling bling and

roblox where s the noob search and find book wordsworth - Jan 29 2022

web embark on a search and find adventure with fan favourite roblox characters join builderman ezebel the pirate queen mr bling bling and other iconic characters as

roblox where s the noob search and find book - Dec 08 2022

web sar 29 00 1 new from sar 29 00 embark on a search and find adventure with fan favourite roblox characters join builderman ezebel the pirate queen mr bling

international health and safety at work for the nebosh international - Mar 06 2023

web nov 29 2021 the book features practice questions and answers to test knowledge and increase understanding international health and safety at work remains the most effective tool for those working to fit international health and safety standards to local needs and practice

international health and safety at work routledge - Aug 11 2023

web description international health and safety at work has been specially written in simple english for the thousands of students who complete the nebosh international general certificate in health and safety each year

protecting health and safety of health workers - Feb 22 2022

web protecting health and safety of health workers protecting health and safety of health workers globally there are 136 million workers in the health and social work sector approximately 70 of whom are women all these workers have the right to decent work including protection of health and safety risk at work

world day for safety and health at work international labour - May 08 2023

web apr 28 2023 the world day for safety and health at work will focus on strategies to strengthen national occupational safety and health osh systems to build resilience in order to face crises now and in the future drawing on lessons learned and experiences from the world of work april 2020 webinar stop the pandemic safety and health at work

occupational safety and health country profile singapore - Feb 05 2023

web it aims to bring down the national fatality rate to less than 1.8 per 100 000 workers by 2018 and achieve one of the best safety records in the world 2014 national profile guides the management of workplace safety and health by all stakeholders the government industry employers as well as employees

international health and safety at work the handbook for the - Oct 01 2022

web aug 22 2012 this neobosh endorsed textbook introduces the reader to the fundamentals of health and safety in the workplace from an international perspective the book not only meets the needs of students on the neobosh course but remains a useful reference for all managers who work to international standards and need to adapt them to local needs

workplace safety and health ministry of manpower - Jan 04 2023

web guidelines on optional safe management measures smm for workplaces such as vaccination differentiated company policies and mask wearing workplace safety and health wsh includes legal requirements certification and registration monitoring and surveillance accident reporting and work injury compensation

occupational safety and health wikipedia - Mar 26 2022

web occupational safety and health osh or occupational health and safety ohs also known simply as occupational health or occupational safety is a multidisciplinary field concerned with the safety health and welfare of people at work i.e. in an occupation

world day for safety and health at work united nations - Aug 31 2022

web apr 28 2011 the world day for safety and health at work is an annual international campaign to promote safe healthy and decent work

international health and safety at work for the neobosh international - Sep 12 2023

web sep 20 2015 abstract international health and safety at work has been specially written in simple english for the thousands of students who complete the neobosh international general certificate in health and safety each year fully revised in alignment with the april 2015 syllabus this third edition provides students with all they need to

international health and safety at work google books - Jun 09 2023

web nov 29 2021 international health and safety at work for the neobosh international general certificate in occupational health and safety phil hughes ed ferrett phil hughes mbe routledge nov 29

safety and health at work a vision for sustainable prevention - Jun 28 2022

web aug 25 2014 safety and health at work a vision for sustainable prevention the aim of this report is to review what is currently being done to promote sustainable prevention globally and to encourage greater participatory efforts

12 health and safety at the workplace international labour - Apr 07 2023

web international organizations can help to promote health and safety at work and the most effective measures tend to be those that actively involve workers and employers organizations

statistics on safety and health at work ilo stat - Jul 30 2022

web apr 3 2020 introduction occupational safety and health are vital components of decent work the physical conditions and mental demands of the workplace determine to a great extent workers conditions occupational accidents have a significant human social and economic cost which we should strive to eliminate by ensuring that all workplaces are safe

international labour standards on occupational safety and health - Jul 10 2023

web the ilo has adopted more than 40 standards specifically dealing with occupational safety and health as well as over 40 codes of practice nearly half of ilo instruments deal directly or indirectly with occupational safety and health issues key instruments on occupational safety and health

safety and health at work international labour organization - Oct 13 2023

web nov 9 2023 safety and health at work occupational accidents and diseases lead to devastating impacts on workers enterprises and entire communities and economies despite many improvements the prevention of accidents and work related diseases continues to have a considerable importance on a global scale

workplace safety and health act ministry of manpower - Dec 03 2022

web the workplace safety and health act is a legislation relating to the safety health and welfare of persons at work in a workplace find out about the act what it covers and the responsibilities of the various stakeholders what it covers about the wsh act key features and what it covers

world day for safety and health at work 2023 - May 28 2022

web a safe and healthy working environment is a fundamental principle and right at work in june 2022 the international labour conference ilc decided to include a safe and healthy working environment in the ilo s framework of fundamental principles and rights at

workplace health safety for the modern workplace - Apr 26 2022

web aug 4 2020 furthermore singapore s workplace health and safety laws have traditionally been most concerned with blue collar work and preventing workplace accidents and deaths however there appears to be a greater awareness and advocacy for the importance of managing mental health issues two members of parliament raised

occupational safety and health un global compact - Nov 02 2022

web a safe and healthy working environment also known as occupational safety and health osh is the discipline dealing with the prevention of work related injuries and diseases as well as the protection and promotion of the health of workers according to the international labour organization ilo