

Dynamic

Advanced

Rotate

Method: Axis

Copy

Type: Single

Rotation: degrees

Multiple

Only apply to features

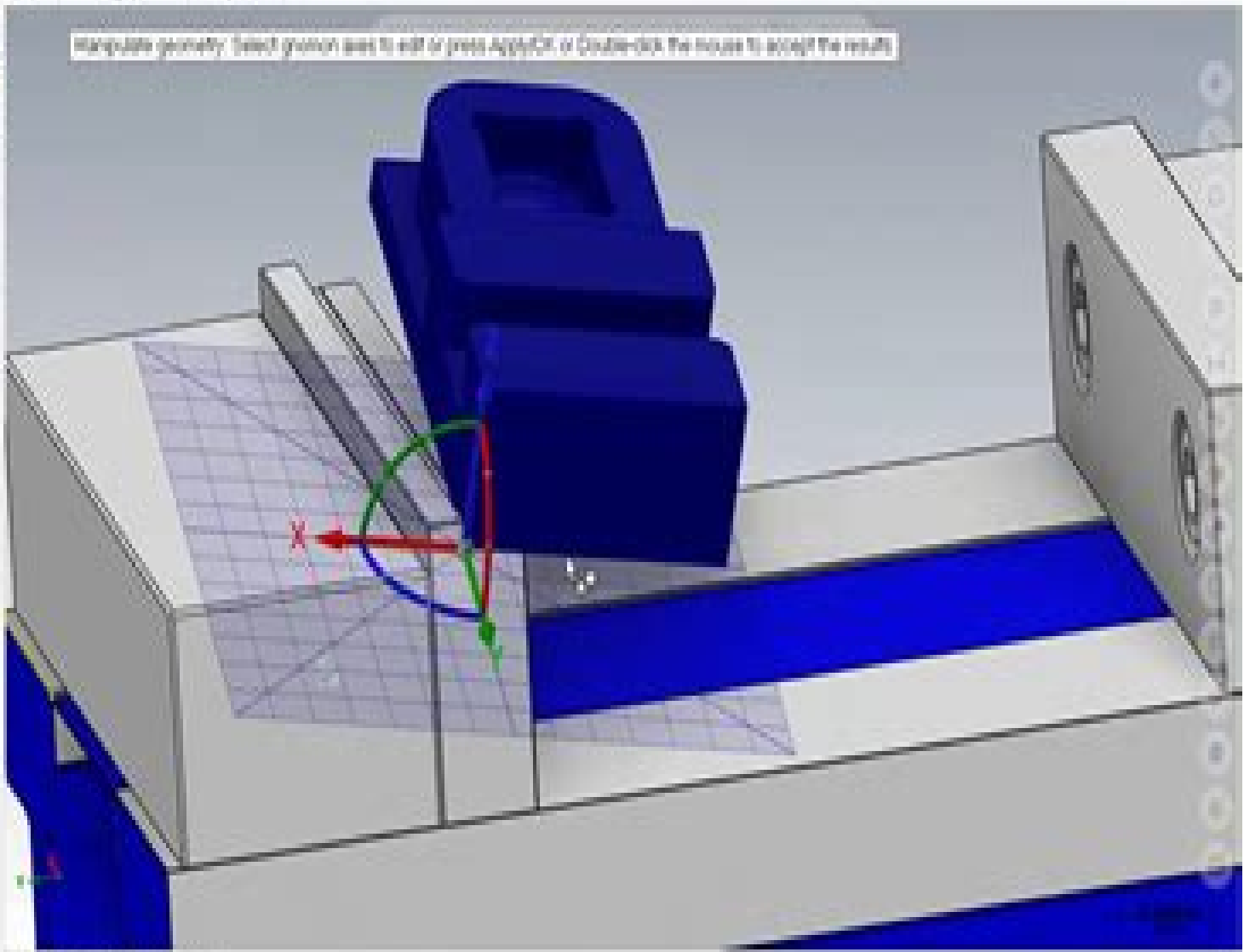
Reverse

Apply

Copy	Move
<input type="checkbox"/>	<input type="checkbox"/>
<input type="checkbox"/>	<input type="checkbox"/>

Copy	Move
<input type="checkbox"/>	<input type="checkbox"/>
<input type="checkbox"/>	<input type="checkbox"/>

Manipulate geometry: Select geometry used to edit or press Apply/OK, or Double-Click the mouse to accept the results



Mastercam Guide

David Baud



Mastercam Guide

graad 10 besigheidstudies bs november vraestel 2 en memo - Aug 27 2021

junie vraestelle summaries sa - Aug 07 2022

web jun 7 2022 find tourism grade 12 may june 2022 common exam question papers with the memorandums for answers in a pdf downloadable format the papers are most

graad 12 besigheds studies junie eksamen en - Dec 11 2022

web hierdie produk bevat n aflaaibare graad 12 geskiedenis eksamen en memorandum vir junie toetsreeks afdeling a brongebaseerde vrae vraag 1 hoe het die

2021 wisk graad 12 junie eksamen memorandum - Aug 19 2023

web 2019 bs graad 12 junie eksamen memorandum vraestel 1 e pos assessment impaq tel 087 405 2233 studocu 23 a1s1 question paper 2018 a1

tourism grade 12 may june 2022 common exam question - Feb 01 2022

graad 12 junie eksamen vraestelle en memorandums 2022 2023 - Feb 13 2023

web graad 12 junie eksamen vraestelle en memorandums 2022 2023 r 875 00 r 530 00 incl vat add to basket graad 12 lewensoriëntering junie eksamen en memo 2023

graad 12 lewenswetenskappe junie eksamen memo 2023 - Jul 06 2022

web 2 2 graad 12 2 27 is tussen die 15de en 16de posisies wiskunde memorandum werkstuk 4 2 junie eksamen vraestel 2 filesize 947 kb where to

graad 12 lewensoriëntering junie eksamen en memo 2023 - Oct 09 2022

web jun 4 2022 wiskundige geletterdheid graad 12 eksamen vraestelle en memo s wiskundige geletterdheid graad 12 mei junie 2022 wiskundige geletterdheid graad

graad 12 lewenswetenskappe junie eksamen - Jan 12 2023

web die produk bestaan uit n aflaaibare graad 12 lewenswetenskappe junie eksamen memo 2023 die produk bestaan uit 17 bladsye en het n totaal van 150 punte hierdie

2019 bs graad 12 junie eksamen memorandum vraestel 1 - May 16 2023

web graad 12 junie eksamen vraestel 1 bladsy 7 van 12 afdeling b opsomming vraag 2 instruksies hier is sewe feite oor kos en jou veiligheid daarmee soms die

junie eksamen graad 12 afrikaans afrikaans - Nov 10 2022

web jun 7 2022 find afrikaans huistaal grade 12 may june 2022 common exam question papers with the memorandums for answers in a pdf downloadable format paper 1 paper

graad 8 afrikaans ht november vraestel and memo 2023 - Oct 29 2021

wiskundige geletterdheid graad 12 eksamen vraestelle en - Apr 03 2022

web 3 bu kılavuz jandarma ve sahil güvenlik akademisi güvenlik bilimleri enstitüsünde açılan lisansüstü programlara yapılacak baúvuru ve yerleútirme

2024 2025 12 sınıf konuları ve müfredatı meb soru ve cevaplar - Mar 02 2022

web graad 12 visuele kuns junie eksamen en memo 2023 r 44 28 summaries sa rated 0 out of 5 grade 4 natural science technology term 1 oxford textbook r 92 00

t c İÇİŞLERİ bakanlıđı jandarma ve sahil gÜvenlik - Sep 27 2021

graad 2 wiskunde eksemplaar vraestelle pdf - Dec 31 2021

2020 bs graad 12 junie eksamen memorandum - Sep 20 2023

web graad 12 junie eksamen vraestel 1 memorandum bladsy 2 van 8 afdeling a kyk en leesbegrip assesseringsriglyne spelfoute in een woord antwoorde word

graad 12 geskiedenis junie eksamen en memo 2023 v1 - Jun 05 2022

web aug 25 2022 emniyet mahallesi gazeteci yazar muammer yaşar bostancı caddesi meb beşevler kampüsü bina no 6 İ blok yenimahalle ankara 0 312 306 86 00 306 86 04

junie eksamen graad 12 afrikaans afrikaans - Mar 14 2023

web hierdie produk bevat n aflaibare graad 12 besigheids studies toets en memorandum vir junie toetsreeks vraestel 2 dan smi hierdie pdf dokumente is onmiddelik

afrikaans huistaal grade 12 may my courses - May 04 2022

web oct 17 2023 graad 8 afrikaans ht november vraestel 2 totaal 60 marks tyd 2 hours september eksamen memo 2023 r 37 95 summaries sa rated 0 out of 5

ankara millî eđitim müdürlüđü 2022 2023 eđitim ve - Nov 29 2021

graad 12 junie eksamen vraestelle en memorandums - Apr 15 2023

web hierdie produk bevat n aflaaibare graad 12 lewensoriëntering eksamen en memorandum vir junie toetsreeks 2023 afdeling a vraag 1 kies die regte antwoord gee een

graad 12 junie eksamen vraestelle en memorandums - Jun 17 2023

web graad 12 junie eksamen vraestelle en memorandums 2022 2023 hierdie produk bevat die volgende graad 12 vraestelle met memorandums vir die junie eksamens let wel

graad 12 besigheids studies junie eksamen en memo 2023 v2 - Sep 08 2022

web jul 16 2020 sınıf müfredatı meb liseye geçişin ilk aşaması olan lise 4 müfredatı meb in kazanımları dikkate alınarak hazırlandı 2024 12 sınıf müfredatı belirlenirken talim

junie eksamen graad 12 afrikaans afrikaans - Jul 18 2023

web algemeen gebruik die rubrieke in die assesseringsriglyne 2 bestudeer en bespreek hierdie rubrieke baie deeglik let veral daarop dat beplanning formaat redigering en

pons drehscheibe verben im griff deutsch isbn 978 3 12 - May 21 2023

web verben mit nur einem dreh nachschlagen die wichtigsten verben kinderleicht einprägen mit einem dreh wird ein verb in vielen zeitformen und kompletten konjugationsformen

pons drehscheibe verben deutsch im griff die unre pdf - Feb 18 2023

web pons drehscheibe verben deutsch im griff die unre pons basiswortschatz deutsch im griff may 31 2022 das wichtigste zum Üben lernen und nachschlagen ein

pons drehscheibe verben im griff deutsch - Dec 04 2021

web verben mit nur einem dreh nachschlagen die wichtigsten verben kinderleicht einprägen mit einem dreh wird ein verb in vielen zeitformen und kompletten konjugationsformen

pons drehscheibe verben deutsch im griff die unre 2022 - Jul 11 2022

web pons drehscheibe verben deutsch im griff die unre downloaded from aveannamedical solutions buyerads com by guest deon li seal at the wheel african

pons drehscheibe verben deutsch im griff die unre uniport edu - Jan 05 2022

web jun 29 2023 pons drehscheibe verben deutsch im griff die unre 2 5 downloaded from uniport edu ng on june 29 2023 by guest brighter our soul will be at a time when the

pons drehscheibe verben deutsch im griff die unre - Jul 23 2023

web pons drehscheibe verben deutsch im griff die unre 1 pons drehscheibe verben deutsch im griff die unre 2023 01 23 evelin reilly dictionnaire hachette oxford

[pons drehscheibe verben deutsch im griff die unre cambridge](#) - Oct 14 2022

web pons drehscheibe verben deutsch im griff die unre pons drehscheibe verben deutsch im griff die unre 4 downloaded from old restorativejustice org on 2021 10 09

[pons drehscheibe verben im griff deutsch grammatik deutsch](#) - Nov 03 2021

web verben mit nur einem dreh nachschlagen die wichtigsten verben kinderleicht einprägen mit einem dreh wird ein verb in vielen zeitformen und kompletten konjugationsformen

pons drehscheibe verben deutsch im griff die unre - Mar 07 2022

web pons drehscheibe verben deutsch im griff die unre 1 pons drehscheibe verben deutsch im griff die unre downloaded from ai classmonitor com by guest jordan

pons drehscheibe verben deutsch im griff die unre - Jun 22 2023

web 2 pons drehscheibe verben deutsch im griff die unre 2022 08 04 palace of flies pons die lexikologie befindet sich in einer phase des umbruchs die diskussion der

pons drehscheibe verben deutsch im griff die - Aug 24 2023

web pons drehscheibe verben deutsch im griff die unregelmäßigen verben mit einem dreh nachschlagen isbn 9783125160187 kostenloser versand für alle bücher mit

pons drehscheibe verben deutsch im griff die unre solutions - Jun 10 2022

web pons drehscheibe verben deutsch im griff die unre more instant english englisch ganz leicht rätsel Übungen für zwischendurch pons drehscheibe verben

[pons drehscheibe verben deutsch im griff die unre pdf ftp](#) - Dec 16 2022

web 2 pons drehscheibe verben deutsch im griff die unre 2023 01 28 pons drehscheibe verben deutsch im griff die unre downloaded from ftp adaircountymissouri com by

[pdf pons drehscheibe verben deutsch im griff die unre](#) - Mar 19 2023

web pons drehscheibe verben deutsch im griff die unre verben mit präpositionen b2 c1 deutsch als fremdsprache dec 27 2020 dieses buch stellt ihnen über 100 deutsche

pons drehscheibe verben im griff englisch - Apr 08 2022

web die wichtigsten verben kinderleicht einprägen mit einem dreh wird ein verb in vielen zeitformen und kompletten konjugationsformen angezeigt pons drehscheibe

pons drehscheibe verben deutsch im griff die unre pdf - Aug 12 2022

web pons drehscheibe verben deutsch im griff die unre downloaded from controlplane themintgaming com by guest alana kemp pons die drei

pons drehscheibe verben deutsch grammatik deutsch - Sep 25 2023

web die wichtigsten unregelmäßigen verben mit einem dreh wird ein verb in vielen zeitformen und kompletten konjugationsformen angezeigt mit spick faktor Überall einsetzbar

pons drehscheibe verben deutsch im griff die unre free pdf - Sep 13 2022

web and download pons drehscheibe verben deutsch im griff die unre pdf for free pons grammatik auf einen blick turkisch pons auf einen blick4300 series printer service

pons drehscheibe verben deutsch im griff die unre - Feb 06 2022

web 2 pons drehscheibe verben deutsch im griff die unre 2020 10 24 pons drehscheibe verben deutsch im griff die unre downloaded from analytics mirowin com by guest

pons drehscheibe verben deutsch im griff die unre pdf 2023 - Nov 15 2022

web mar 12 2023 if you point to download and install the pons drehscheibe verben deutsch im griff die unre pdf it is completely easy then in the past currently we extend the join

suchergebnis auf amazon de für pons drehscheibe verben deutsch - Apr 20 2023

web aug 28 2007 pons drehscheibe verben spanisch im griff die unregelmäßigen verben mit einem dreh nachschlagen

pons drehscheibe verben deutsch im griff die unre copy - May 09 2022

web 2 pons drehscheibe verben deutsch im griff die unre 2022 11 26 pons drehscheibe verben deutsch im griff die unre downloaded from analytics mirowin com by guest

pons drehscheibe verben deutsch im griff die unre - Jan 17 2023

web pons drehscheibe verben deutsch im griff die unre may 09 2023 ausführlicher unterrichtsentwurf 1 klasse deutsch wir lernen verben kennen oct 22 2021

beyond the body farm a legendary bone detective explores murders - Feb 15 2023

web nov 11 2008 beyond the body farm is an extraordinary journey through some of the most fascinating investigations of dr bass s career and a remarkable look at the high tech science used to crack the most perplexing cases

bbc one the body farm - Jan 02 2022

web the body farm crime drama series following eve lockhart one of britain s leading forensic pathologists and her team of scientists at a state of the art forensic research facility on iplayer

editions of beyond the body farm a legendary bone detective - Jun 19 2023

web sep 1 2004 published september 4th 2007 by william morrow hardcover 282 pages more details want to read rate this book 1 of 5 stars 2 of 5 stars 3 of 5 stars 4 of 5 stars 5 of 5 stars beyond the body farm a legendary bone detective explores murders mysteries and the revolution in forensic science kindle edition

beyond the body farm a legendary bone detective explores - Mar 16 2023

web beyond the body farm a legendary bone detective explores murders mysteries and the revolution in forensic science
ebook written by dr bill bass jon jefferson read this book using google play books app on your pc android ios devices

[beyond the body farm a legendary bone detective explores](#) - Jan 14 2023

web beyond the body farm is an extraordinary journey through some of the most fascinating investigations of dr bass s career
and a remarkable look at the high tech science used to crack the most perplexing cases

the body farm tv mini series 2011 2012 imdb - Feb 03 2022

web the body farm created by declan croghan with tara fitzgerald keith allen wunmi mosaku mark bazeley a british police
procedural which follows the team from a forensic pathology facility that conducts scientific research to help solve crimes

pdf beyond the body farm a legendary bone detective - Mar 04 2022

web jun 5 2020 ebooks beyond the body farm a legendary bone detective explores murder mysteries and the revolution in
forensic science are created for different causes the obvious cause would be to offer it and earn money

[beyond the body farm a legendary bone detective e](#) - May 06 2022

web beyond the body farm a legendary bone detective e the bone sword sep 01 2021 deserter on the run malik emerges from
the swamps of plaiden seeking only shelter food and the time necessary to take the chill from his bones but after a barroom
brawl lands him in trouble with the local authorities he flees

[beyond the body farm a legendary bone detective explores](#) - Jun 07 2022

web beyond the body farm a legendary bone detective explores murders mysteries and the revolution in forensic science
william m bass jon jefferson 282 pages first pub 2004 editions

beyond the body farm a legendary bone detective explor - Oct 23 2023

web sep 1 2004 beyond the body farm a legendary bone detective explores murders mysteries and the revolution in forensic
science william m bass jon jefferson 4 23 7 287 ratings 387 reviews there is no scientist in the world like dr bill bass

[beyond the body farm 9780060875282 9780061854392](#) - Oct 11 2022

web beyond the body farm a legendary bone detective explores murders mysteries and the revolution in forensic science is
written by dr bill bass jon jefferson and published by harpercollins e books the digital and etextbook isbn's for beyond the
body farm are 9780061854392 0061854395 and the print isbn's are 9780060875282 0060875283

beyond the body farm a legendary bone detective explores - Sep 10 2022

web beyond the body farm a legendary bone detective explores murders mysteries and the revolution in forensic science
ebook bass dr bill amazon com au kindle store

beyond the body farm a legendary bone detective explores - Aug 09 2022

web amazon com beyond the body farm a legendary bone detective explores murder mysteries and the revolution in forensic science audible audio edition dr bill bass jon jefferson tom mckee harperaudio books

beyond the body farm a legendary bone detective e - Apr 05 2022

web beyond the body farm a legendary bone detective e carved in bone feb 02 2023 if you like kathy reiche you ll like jefferson bass the times a woman s corpse lies hidden in a cave in the mountains of east tennessee undiscovered for thirty years her body has been transformed into a near perfect mummy

beyond the body farm a legendary bone detective e book - Nov 12 2022

web beyond the body farm a legendary bone detective e bones to ashes oct 14 2022 discovering the skeleton of a young girl in the neighborhood of a childhood best friend who had gone missing thirty years earlier tempe brennan investigates suspicions that victim and her friend are one and the same brown gumshoes dec 12 2019

beyond the body farm a legendary bone detective explores - May 18 2023

web beyond the body farm a legendary bone detective explores murders mysteries and the revolution in forensic science bill bass jon jefferson william m bass morrow 25 95 304pp isbn 978

beyond the body farm a legendary bone detective explores murders - Sep 22 2023

web nov 11 2008 beyond the body farm a legendary bone detective explores murders mysteries and the revolution in forensic science bass dr bill jefferson jon on amazon com free shipping on qualifying offers

beyond the body farm a legendary bone detective explores - Apr 17 2023

web but during a forensics career that spans half a century bass and his work have ranged far beyond the gates of the body farm in this riveting book the bone sleuth explores the rise of modern forensic science using fascinating cases from his career to take readers into the real world of c s i

beyond the body farm a legendary bone detective explores murders - Jul 08 2022

web a pioneer in forensic anthropology dr bill bass created the world s first laboratory dedicated to the study of human decomposition three acres on a hillside

beyond the body farm a legendary bone detective explores - Dec 13 2022

web nov 24 2011 beyond the body farm a legendary bone detective explores murders mysteries and the revolution in forensic science authors dr bill bass jefferson bass jon jefferson publisher quercus 2011 isbn 1849166064 9781849166065 length 352 pages subjects

beyond the body farm a legendary bone detective explores murders - Aug 21 2023

web oct 13 2009 beyond the body farm a legendary bone detective explores murders mysteries and the revolution in forensic science kindle edition by bass bill jefferson jon download it once and read it on your kindle device pc phones or

tablets

beyond the body farm a legendary bone detective explores - Jul 20 2023

web beyond the body farm a legendary bone detective explores murders mysteries and the revolution in forensic science bass
dr bill jefferson jon amazon sg books

Enjoying the Track of Appearance: An Psychological Symphony within **Mastercam Guide**

In a world eaten by screens and the ceaseless chatter of instant transmission, the melodic elegance and psychological symphony produced by the written term usually disappear into the background, eclipsed by the persistent sound and disruptions that permeate our lives. Nevertheless, set within the pages of **Mastercam Guide** a marvelous literary treasure filled with raw feelings, lies an immersive symphony waiting to be embraced. Crafted by a wonderful musician of language, that interesting masterpiece conducts visitors on an emotional journey, skillfully unraveling the hidden melodies and profound influence resonating within each carefully constructed phrase. Within the depths of this poignant examination, we will discover the book is key harmonies, analyze its enthralling writing model, and surrender ourselves to the profound resonance that echoes in the depths of readers souls.

https://offsite.creighton.edu/files/virtual-library/Documents/knights_templar_initiation.pdf

https://offsite.creighton.edu/files/virtual-library/Documents/la_oruga_muy_hambrienta_book.pdf

https://offsite.creighton.edu/files/virtual-library/Documents/killing_hope_audiobook.pdf

Table of Contents Mastercam Guide

1. Understanding the eBook Mastercam Guide
 - The Rise of Digital Reading Mastercam Guide
 - Advantages of eBooks Over Traditional Books
2. Identifying Mastercam Guide
 - Exploring Different Genres
 - Considering Fiction vs. Non-Fiction
 - Determining Your Reading Goals

3. Choosing the Right eBook Platform
 - Popular eBook Platforms
 - Features to Look for in an Mastercam Guide
 - User-Friendly Interface
4. Exploring eBook Recommendations from Mastercam Guide
 - Personalized Recommendations
 - Mastercam Guide User Reviews and Ratings
 - Mastercam Guide and Bestseller Lists
5. Accessing Mastercam Guide Free and Paid eBooks
 - Mastercam Guide Public Domain eBooks
 - Mastercam Guide eBook Subscription Services
 - Mastercam Guide Budget-Friendly Options
6. Navigating Mastercam Guide eBook Formats
 - ePub, PDF, MOBI, and More
 - Mastercam Guide Compatibility with Devices
 - Mastercam Guide Enhanced eBook Features
7. Enhancing Your Reading Experience
 - Adjustable Fonts and Text Sizes of Mastercam Guide
 - Highlighting and Note-Taking Mastercam Guide
 - Interactive Elements Mastercam Guide
8. Staying Engaged with Mastercam Guide
 - Joining Online Reading Communities
 - Participating in Virtual Book Clubs
 - Following Authors and Publishers Mastercam Guide
9. Balancing eBooks and Physical Books Mastercam Guide
 - Benefits of a Digital Library
 - Creating a Diverse Reading Collection Mastercam Guide
10. Overcoming Reading Challenges
 - Dealing with Digital Eye Strain
 - Minimizing Distractions

- Managing Screen Time
- 11. Cultivating a Reading Routine Mastercam Guide
 - Setting Reading Goals Mastercam Guide
 - Carving Out Dedicated Reading Time
- 12. Sourcing Reliable Information of Mastercam Guide
 - Fact-Checking eBook Content of Mastercam Guide
 - Distinguishing Credible Sources
- 13. Promoting Lifelong Learning
 - Utilizing eBooks for Skill Development
 - Exploring Educational eBooks
- 14. Embracing eBook Trends
 - Integration of Multimedia Elements
 - Interactive and Gamified eBooks

Mastercam Guide Introduction

In today's digital age, the availability of Mastercam Guide books and manuals for download has revolutionized the way we access information. Gone are the days of physically flipping through pages and carrying heavy textbooks or manuals. With just a few clicks, we can now access a wealth of knowledge from the comfort of our own homes or on the go. This article will explore the advantages of Mastercam Guide books and manuals for download, along with some popular platforms that offer these resources. One of the significant advantages of Mastercam Guide books and manuals for download is the cost-saving aspect. Traditional books and manuals can be costly, especially if you need to purchase several of them for educational or professional purposes. By accessing Mastercam Guide versions, you eliminate the need to spend money on physical copies. This not only saves you money but also reduces the environmental impact associated with book production and transportation. Furthermore, Mastercam Guide books and manuals for download are incredibly convenient. With just a computer or smartphone and an internet connection, you can access a vast library of resources on any subject imaginable. Whether you're a student looking for textbooks, a professional seeking industry-specific manuals, or someone interested in self-improvement, these digital resources provide an efficient and accessible means of acquiring knowledge. Moreover, PDF books and manuals offer a range of benefits compared to other digital formats. PDF files are designed to retain their formatting regardless of the device used to open them. This ensures that the content appears exactly as intended by the author, with no loss of formatting or missing graphics. Additionally, PDF files can be easily annotated, bookmarked, and

searched for specific terms, making them highly practical for studying or referencing. When it comes to accessing Mastercam Guide books and manuals, several platforms offer an extensive collection of resources. One such platform is Project Gutenberg, a nonprofit organization that provides over 60,000 free eBooks. These books are primarily in the public domain, meaning they can be freely distributed and downloaded. Project Gutenberg offers a wide range of classic literature, making it an excellent resource for literature enthusiasts. Another popular platform for Mastercam Guide books and manuals is Open Library. Open Library is an initiative of the Internet Archive, a non-profit organization dedicated to digitizing cultural artifacts and making them accessible to the public. Open Library hosts millions of books, including both public domain works and contemporary titles. It also allows users to borrow digital copies of certain books for a limited period, similar to a library lending system. Additionally, many universities and educational institutions have their own digital libraries that provide free access to PDF books and manuals. These libraries often offer academic texts, research papers, and technical manuals, making them invaluable resources for students and researchers. Some notable examples include MIT OpenCourseWare, which offers free access to course materials from the Massachusetts Institute of Technology, and the Digital Public Library of America, which provides a vast collection of digitized books and historical documents. In conclusion, Mastercam Guide books and manuals for download have transformed the way we access information. They provide a cost-effective and convenient means of acquiring knowledge, offering the ability to access a vast library of resources at our fingertips. With platforms like Project Gutenberg, Open Library, and various digital libraries offered by educational institutions, we have access to an ever-expanding collection of books and manuals. Whether for educational, professional, or personal purposes, these digital resources serve as valuable tools for continuous learning and self-improvement. So why not take advantage of the vast world of Mastercam Guide books and manuals for download and embark on your journey of knowledge?

FAQs About Mastercam Guide Books

How do I know which eBook platform is the best for me? Finding the best eBook platform depends on your reading preferences and device compatibility. Research different platforms, read user reviews, and explore their features before making a choice. Are free eBooks of good quality? Yes, many reputable platforms offer high-quality free eBooks, including classics and public domain works. However, make sure to verify the source to ensure the eBook credibility. Can I read eBooks without an eReader? Absolutely! Most eBook platforms offer web-based readers or mobile apps that allow you to read eBooks on your computer, tablet, or smartphone. How do I avoid digital eye strain while reading eBooks? To prevent digital eye strain, take regular breaks, adjust the font size and background color, and ensure proper lighting while reading eBooks. What the advantage of interactive eBooks? Interactive eBooks incorporate multimedia elements, quizzes, and activities,

enhancing the reader engagement and providing a more immersive learning experience. Mastercam Guide is one of the best book in our library for free trial. We provide copy of Mastercam Guide in digital format, so the resources that you find are reliable. There are also many Ebooks of related with Mastercam Guide. Where to download Mastercam Guide online for free? Are you looking for Mastercam Guide PDF? This is definitely going to save you time and cash in something you should think about.

Find Mastercam Guide :

knights templar initiation

la oruga muy hambrienta book

killling hope audiobook

kettle stitch binding

kristen ar hives

lacounty test prep

kenmore elite fridge not getting cold

label the circulatory system answer key

ketu with venus

labor day tea mama natural

karl the fog book

keto for beginners book

land rover discovery generations

keto diet and women

labview motion control

Mastercam Guide :