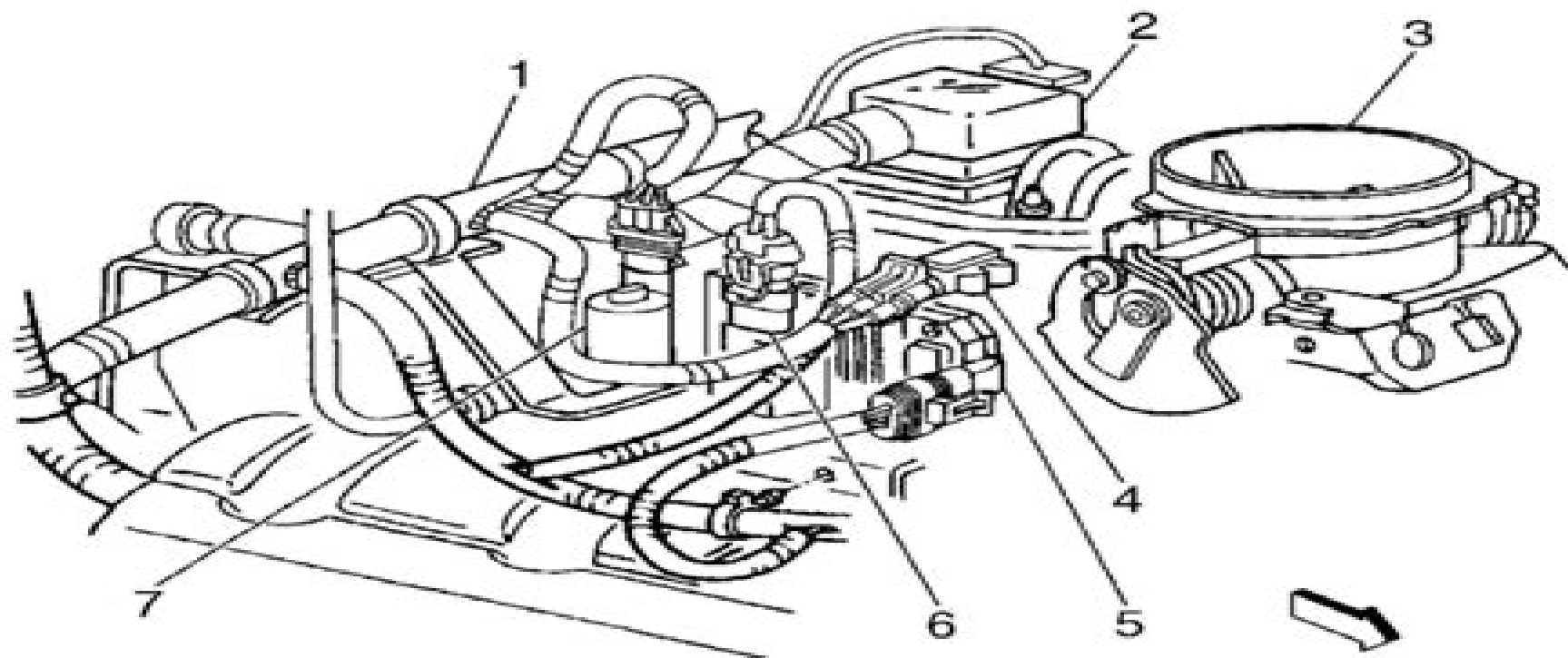


Fig 12: Locating MAP Sensor, Ignition Control Module, Ignition Coil & EVAP Canister Purge Solenoid (Blazer, Jimmy Canadian, Sonoma & S10 Pickup)



1. EVAP Pipe
2. Central Sequential Fuel Injection (Central SFI) Connector
3. Throttle Body
4. Manifold Absolute Pressure (MAP) Sensor
5. Ignition Control Module (ICM)
6. Ignition Coil
7. Evaporative Emission (EVAP) Canister Purge Solenoid

G00101476

01 Chevy S10 V6 Engine Diagram

Lingjun Ying



01 Chevy S10 V6 Engine Diagram

[strengths finder 2 0 a new and upgraded edition of the online](#) - Jun 19 2022

web amazon com strengths finder 2 0 a new and upgraded edition of the online test from gallup s now discover your strengths with access code tom rath books books

strengthsfinder 2 0 by the new york times bestselling author of - Aug 02 2023

web strengthsfinder 2 0 features the new and upgraded version of the strengthsfinder program the main selling point of mega bestseller now discover your strengths over a million copies sold access to the new and upgraded strengthsfinder program will be available exclusively through this book

strengths finder 2 0 a new upgraded edition of - Apr 29 2023

web in strengthsfinder 2 0 gallup unveils the new and improved version of its popular online assessment with hundreds of strategies for applying your strengths strengthsfinder 2 0 will change the way you look at yourself and the world forever

strengthsfinder 2 0 from gallup and tom rath discover - Dec 26 2022

web jan 1 2017 in its latest national bestseller strengthsfinder 2 0 gallup unveils the new and improved version of its popular assessment language of 34 themes and much more see below for details while you can read this book in one sitting you ll use it as a reference for decades

[strengthsfinder 2 0 strengths assessment tool trainers toolbox](#) - May 19 2022

web sep 6 2017 image 1 the book strengthsfinder 2 0 gives you an access to the online assessment tool and serves as a great guide through your strengths strengthsfinder 2 0 is the oldest in the group of strengths assessments via strength profile and it is an excellent and practical assessment built on years of practical business experience and

[strengths finder 2 0 a new and upgraded edition of the](#) - Oct 24 2022

web jan 1 2007 strengths finder 2 0 a new and upgraded edition of the online test from gallup s now discover your strengths with access code tom rath 3 93 54 424 ratings2 442 reviews as with the original assessment the updated version is available online strengths gallup com and can be taken with a unique code that comes with each

[strengthsfinder 2 0 from gallup and tom rath discover your](#) - Feb 13 2022

web in its latest national bestseller strengthsfinder 2 0 gallup unveils the new and improved version of its popular assessment language of 34 themes and much more see below for details while you can read this book in one sitting you ll use it as a reference for decades

strengthsfinder 2 0 en gallup - Sep 03 2023

web strengthsfinder is now cliftonstrengths learn how to discover your 34 themes and how to register your access code from strengthsfinder 2 0

strengthsfinder 2 0 tom rath google books - Jan 27 2023

web sep 1 2013 strengthsfinder 2 0 features the new and upgraded version of the strengthsfinder program the main selling point of mega bestseller now discover your strengths over a million copies

strengths finder 2 0 a new and upgraded edition of the online - Nov 24 2022

web feb 1 2007 an updated version of the strengthsfinder program developed by gallup experts t help readers discover their distinct talents and strengths and how they can b translated into personal and career successes do you do what you do best every day chances are you don t

strengthsfinder 2 0 e book en us gallup gallup store - Jul 01 2023

web strengthsfinder 2 0 the bestselling business book ever and amazon s bestselling nonfiction book of all time introduces you to the power and potential of strengths designed for individuals

strengthsfinder 2 0 gallup 0074994540415 amazon com books - Oct 04 2023

web feb 1 2007 strengthsfinder 2 0 features the new and upgraded version of the strengthsfinder program the main selling point of mega bestseller now discover your strengths over a million copies sold access to the new and upgraded strengthsfinder program will be available exclusively through this book

strengthsfinder 2 0 cru media ministry - May 31 2023

web available exclusively through the unique access code included in strengthsfinder 2 0 a new and upgraded edition of the strengthsfinder assessment a personalized strengths discovery and action planning guide for applying your strengths in the next week month and year 50 ideas for action 10 strategies for building on each of your top five the

strengths finder 2 0 a new and upgraded edition of the online - Jul 21 2022

web strengths finder 2 0 a new and upgraded edition of the online test from gallup s now discover your strengths with access code by rath tom author hardcover tom rath on amazon com au free shipping on eligible orders

strengthsfinder 2 0 a new and upgraded edition of the online - Sep 22 2022

web strengthsfinder 2 0 a new and upgraded edition of the online test from gallup s now discover your strengths tom rath february 07 books amazon ca

what is strengthsfinder and why do you need it global - Mar 17 2022

web jul 17 2017 the strengthsfinder assessment is a personal development tool developed by gallup education which provides an individual with their top 5 strengths 34 different strength themes are divided into four domains of strategic thinking relationship building influencing and executing your top 5 might include the achiever strength which

strengthsfinder 2 0 from gallup by the new york times - Mar 29 2023

web strengthsfinder 2 0 features the new and upgraded version of the strengthsfinder program the main selling point of mega blockbuster now discover your strengths over a million copies sold access to the new and upgraded strengthsfinder program will be available exclusively through this book

strengthsfinder 2 0 a new upgraded edition of the online - Feb 25 2023

web strengthsfinder 2 0 features the new and upgraded version of the strengthsfinder program the main selling point of mega bestseller now discover your strengths over a million copies sold access to the new and upgraded strengthsfinder program will be available exclusively through this book

strengthsfinder 2 0 a new and upgraded edition of 2023 - Apr 17 2022

web strengthsfinder 2 0 a new and upgraded edition of official records of the session of the general assembly nov 30 2020 how to conquer the new york times crossword puzzle mar 27 2023 the new york times is the gold standard of crossword puzzles drawing from the top puzzle constructors

strengthsfinder 2 0 a new and upgraded edition of the online - Aug 22 2022

web jan 1 2007 you can trust strengthsfinder 2 0 a new and upgraded edition of the online test from gallup s now discover your strengths by tom rath feb 2007 on amazon com free shipping on qualifying offers

peak district photography location guide nickscape - Apr 20 2023

web feb 21 2013 location guides 21 feb written by nick cockman this is part 1 of a 3 part peak district photography location guide view part 2 guide to curbar edge and baslow edge view part 3 guide to mam tor castleton and the hope valley

photographing the peak district a photo location and sefton - Feb 06 2022

web photographing the peak district a photo location and visitor guidebook book adult paperback photographing the peak district a photo location and visitor guidebook book adult paperback average rating author gilbert chris contributors ryan mick published keswick fotovue 2017

best places for autumn landscape photography in the peak district - Oct 14 2022

web the peak district offers so many stunning opportunities for landscape photographs especially in autumn as the colours change and the light becomes richer and warmer watch the forecast closely and pay careful attention to those cold clear nights

the peak district fotovue - Aug 12 2022

web may 30 2017 photographing the peak district is a big and lavish guidebook and documents the most comprehensive list of locations in the peak to visit and photograph ever published both the classics and unheard of

wildlife photography guide to the peak district national park - Feb 18 2023

web in this guide discover the best locations for wildlife photography in the peak district including tips on shooting mountain hares dippers and more wildlife photography guide to the peak district national park nature ttl

explore discover the peak district visit the most beautiful - Mar 19 2023

web photographing the peak district is a photography location and visitor guidebook the peak district is a beautiful upland area at the southern end of the pennines stretching from ashbourne in the south to the m62 in the north

the best instagram spots in the peak district in 2023 - Sep 13 2022

web top places to photograph in the peak district in 2023 these are the very best the peak district instagram spots curated by the photohound team if you ve got limited time here these are the must see locations to shoot while you re in the peak district photographing the peak district fotovue - Jan 17 2023

web photographing the peak district 27 95 by chris gilbert and mick ryan 27 95 and free uk shipping the most comprehensive peak district photo location guidebook available that will lead you to all the classic locations and many other equally great places that only a few know about and visit

peak district england 4 day photography workshop aug 2023 - Jun 10 2022

web this four day landscape photography workshop in the peak district is the perfect accelerator for improving your techniques and your eye for a picture especially with the heather in its majestic summer purple key photo locations include hope valley edale valley mam tor winnats pass millstone edge bamford edge and the breathtaking

photographing the peak district a photo location richard - May 21 2023

web photo location below photo era magazine the american journal of photography 1915 peak district fran halsall 2008 03 since the 1932 mass trespass of kinder scout the peak district has grown in popularity among walkers and ramblers to become the second most visited national park in the world after mount fuji in japan photographer fran

new peak district photo locations the lightweight photographer - Nov 15 2022

web oct 18 2017 this latest guide is for the peak district and it s one of the best i have seen it has some 150 locations including a few near to my house within walking distance that i wasn t aware of there are plenty of maps and directions as well as some great photography i must admit to not having like the peak district at one time

the best 23 photographers in the peak district photohound - May 09 2022

web discover the best photographers in the peak district with photohound and explore 106 amazing locations contributed by the peak district photographers

the 106 best photo spots in the peak district in 2023 photohound - Aug 24 2023

web discover the best 106 the peak district photo spots with photohound s guide to photographing the peak district

the photographer s guide to the peak district long valley books - Jul 11 2022

web over 50 brilliant photo locations such as gritstone edges limestone dales reservoirs and waterfalls detailed directions to each location including annotated maps where to park and satnav information postcodes and gps co ordinates advice on the best time of day and the best time of year to visit the locations

101 best places to photograph in the peak district national park - Jul 23 2023

web the top 10 locations to photograph in the peak district mam tor chrome hill the roaches winnats pass parkhouse hill curbar edge manifold valley dean rocks hitter hill salt cellar mam tor shouldn t surprise you as being the number one location to photograph in the peak district

21 peak district best photography spots photography - Sep 25 2023

web the peak district best photography spots is home to some of the best photography spots in the uk with stunning landscapes wildlife and incredible waterfalls these images were taken by our local photographers and compiled into a book for you to explore and plan your next photo shoot

photographing the peak district a photo location and visitor - Mar 07 2022

web photographing the peak district is a photography location and visitor guidebook the peak district is a beautiful upland area at the southern end of the pennines stretching from ashbourne in the south to the m62 in the north

the 33 best photo spots in peak district national park wanderlog - Jun 22 2023

web james pictures 101 best places to photograph in the peak district national park cityscape architecture and interior photography peak district must visit locations hatlastravel com the best hill photography spots around peak district national park atlas travel picturesofengland com pictures of peak district national park

photographing the peak district by michael ryan issuu - Apr 08 2022

web jul 26 2017 photographing the peak district is a photo location and visitor guidebook to the peak district it describes over 500 beautiful places to visit and photograph illustrated

the peak district fotovue - Dec 16 2022

web fotovue s sixth photo location guidebook is about to go to the printers photographing the peak district by chris gilbert and mick ryan will be available at the beginning of august

palaeontologist nedir ne demek - Nov 24 2021

web palaeontologist nedir ve palaeontologist ne demek sorularına hızlı cevap veren sözlük sayfası palaeontologist anlamı palaeontologist türkçesi palaeontologist nnd

paläontologie schweizerbart science publishers - Jul 13 2023

web dem biologen vermitteln die fossilien einen eindruck von der mannigfaltigkeit der geschichte und den entwicklungswegen vorzeitlichen lebens den sammler bewegen

versteinerte urkunden die paläontologie als wissenschaft vom - Nov 05 2022

web note citations are based on reference standards however formatting rules can vary widely between applications and fields of interest or study the specific requirements or

paläontologie vom leben in der vorzeit bücher gebraucht - Aug 02 2022

web paläontologie vom leben in der vorzeit bücher gebraucht antiquarisch neu kaufen preisvergleich käuferschutz wir bücher

versteinerte urkunden die paläontologie als wissenschaft vom - Oct 04 2022

web versteinerte urkunden die paläontologie als wissenschaft vom leben in der vorzeit worldcat org

leben der vorzeit grundlagen der allgemeinen und speziellen - Dec 06 2022

web leben der vorzeit fasst die paläontologie in ihrer gesamten fachlichen breite zusammen und ist als einführungswerk für studierende der geowissenschaften und der biologie

paläontologie vom leben in der vorzeit by bernhard ziegler - Mar 29 2022

web may 18 2023 fossilien einen eindruck von der mannigfaltigkeit der geschichte und den entwicklungswegen

vorzeitlichen lebens den sammler bewegen die vielfalt der

paläontologie by lener heimze prezi - Feb 25 2022

web mar 22 2017 fossilisation prozess dem ein lebewesen vom tod bis zum status des fossils unterliegt paläontologie griech palaios alt on das seiende logos lehre

paläontologie vom leben in der vorzeit gebundene ausgabe - Aug 14 2023

web das buch paläontologie vom leben in der vorzeit bietet einen guten Überblick über die erdgeschichte und alle wichtigen gruppen von lebewesen von denen fossilien vorhanden sind gute und zahlreiche abbildungen teilweise sogar in farbe ergänzen den text

paläontologie vom leben in der vorzeit ciltli kapak - Apr 10 2023

web paläontologie vom leben in der vorzeit ziegler bernhard amazon com tr kitap

palaontologie vom leben in der vorzeit 2022 monograf - Jan 27 2022

web 4 palaontologie vom leben in der vorzeit 2022 08 01 form und funktion von lebewesen thematisiert stehen bei der speziellen paläontologie das studium und die

paläontologie wiktionary - Apr 29 2022

web 1 wissenschaft von fossilisierten lebewesen vergangener erdzeitalter herkunft determinativkompositum zusammengesetzt aus dem gebundenen lexem paläo von

paläontologie vom leben in der vorzeit by bernhard ziegler - Sep 22 2021

web paläontologie vom leben in der vorzeit de säugetiere der vorzeit das tertiär ziele und methoden der paläontologie
springerlink gab es einst lebendige riesen auf der erde

[leben der vorzeit grundlagen der allgemeinen und](#) - Mar 09 2023

web apr 23 2018 leben der vorzeit fasst die paläontologie in ihrer gesamten fachlichen breite zusammen und ist als
einführungswerk für studierende der geowissenschaften

leben der vorzeit grundlagen der allgemeinen und speziellen - Sep 03 2022

web die paläontologie ist im schnittfeld der geowissenschaften und der biologie angesiedelt und hat sich im verlauf des 20
jahrhunderts als eigenständige leben der vorzeit

[vom leben in der vorzeit gbv de](#) - Feb 08 2023

web palaontologie vom leben in der vorzeit mit 16 farbbildern 246abbildungen und 3 tabellen im text e schweizerbart sche
verlagsbuchhandlung nagele u obermiller

[paläontologie vom leben in der vorzeit by bernhard ziegler](#) - Jun 12 2023

web wissenschaft paläontologie gebundenes buch alpha buchhandlung paläontologie vom leben in der vorzeit mit 3 tabellen

paläontologie schweizerbart science publishers

paläontologie auf türkisch übersetzen deutsch tuerkisch net - Dec 26 2021

web deutsch tuerkisch net paläontologie auf türkisch übersetzen paläontologie deutsch türkische übersetzung paläontologie
in türkisch

palaontologie vom leben in der vorzeit copy sql1 viewber co - May 31 2022

web palaontologie vom leben in der vorzeit paläontologie für neugierige leben und vorzeit handbuch einer geschichte der
natur bd iii th organisches leben ergebnisse

palaeontology ne demek ileilgili org - Oct 24 2021

web palaeontology ne demek bu sayfada ingilizce palaeontology türkçesi nedir palaeontology ne demek palaeontology ile
ilgili cümleler türkçe çevirisi eş anlamlısı synonym

paläontologie vom leben in der vorzeit elektrotechnik - Jul 01 2022

web die paläontologie als wissenschaft vom leben in der vorzeit arbeitsmethoden der paläontologie dr phil erich thenius
professor dr martin lindauer paläontologie

[ziegler b paläontologie vom leben in der vorzeit stuttgart e](#) - May 11 2023

web vom leben in der vorzeit stuttgart e schweizerbart sche verlagsbuchhandlung 2008 293 s doi 10 1134

s0031030109040170 the book under review by bernard ziegler

paläontologie vom leben in der vorzeit goodreads - Jan 07 2023

web dem biologen vermitteln die fossilien einen eindruck von der mannigfaltigkeit der geschichte und den entwicklungswegen vorzeitlichen lebens den sammler bewegen

Recognizing the way ways to acquire this books **01 Chevy S10 V6 Engine Diagram** is additionally useful. You have remained in right site to begin getting this info. get the 01 Chevy S10 V6 Engine Diagram colleague that we give here and check out the link.

You could buy guide 01 Chevy S10 V6 Engine Diagram or get it as soon as feasible. You could quickly download this 01 Chevy S10 V6 Engine Diagram after getting deal. So, following you require the book swiftly, you can straight get it. Its so enormously simple and hence fats, isnt it? You have to favor to in this appearance

https://offsite.creighton.edu/files/virtual-library/Documents/hemi_swap_harness.pdf

https://offsite.creighton.edu/files/virtual-library/Documents/hay_rake_john_deere.pdf

https://offsite.creighton.edu/files/virtual-library/Documents/harvard_private_equity_and_venture_capital_program.pdf

Table of Contents 01 Chevy S10 V6 Engine Diagram

1. Understanding the eBook 01 Chevy S10 V6 Engine Diagram
 - The Rise of Digital Reading 01 Chevy S10 V6 Engine Diagram
 - Advantages of eBooks Over Traditional Books
2. Identifying 01 Chevy S10 V6 Engine Diagram
 - Exploring Different Genres
 - Considering Fiction vs. Non-Fiction
 - Determining Your Reading Goals
3. Choosing the Right eBook Platform
 - Popular eBook Platforms
 - Features to Look for in an 01 Chevy S10 V6 Engine Diagram

- User-Friendly Interface
- 4. Exploring eBook Recommendations from 01 Chevy S10 V6 Engine Diagram
 - Personalized Recommendations
 - 01 Chevy S10 V6 Engine Diagram User Reviews and Ratings
 - 01 Chevy S10 V6 Engine Diagram and Bestseller Lists
- 5. Accessing 01 Chevy S10 V6 Engine Diagram Free and Paid eBooks
 - 01 Chevy S10 V6 Engine Diagram Public Domain eBooks
 - 01 Chevy S10 V6 Engine Diagram eBook Subscription Services
 - 01 Chevy S10 V6 Engine Diagram Budget-Friendly Options
- 6. Navigating 01 Chevy S10 V6 Engine Diagram eBook Formats
 - ePub, PDF, MOBI, and More
 - 01 Chevy S10 V6 Engine Diagram Compatibility with Devices
 - 01 Chevy S10 V6 Engine Diagram Enhanced eBook Features
- 7. Enhancing Your Reading Experience
 - Adjustable Fonts and Text Sizes of 01 Chevy S10 V6 Engine Diagram
 - Highlighting and Note-Taking 01 Chevy S10 V6 Engine Diagram
 - Interactive Elements 01 Chevy S10 V6 Engine Diagram
- 8. Staying Engaged with 01 Chevy S10 V6 Engine Diagram
 - Joining Online Reading Communities
 - Participating in Virtual Book Clubs
 - Following Authors and Publishers 01 Chevy S10 V6 Engine Diagram
- 9. Balancing eBooks and Physical Books 01 Chevy S10 V6 Engine Diagram
 - Benefits of a Digital Library
 - Creating a Diverse Reading Collection 01 Chevy S10 V6 Engine Diagram
- 10. Overcoming Reading Challenges
 - Dealing with Digital Eye Strain
 - Minimizing Distractions
 - Managing Screen Time
- 11. Cultivating a Reading Routine 01 Chevy S10 V6 Engine Diagram
 - Setting Reading Goals 01 Chevy S10 V6 Engine Diagram

- Carving Out Dedicated Reading Time
- 12. Sourcing Reliable Information of 01 Chevy S10 V6 Engine Diagram
 - Fact-Checking eBook Content of 01 Chevy S10 V6 Engine Diagram
 - Distinguishing Credible Sources
- 13. Promoting Lifelong Learning
 - Utilizing eBooks for Skill Development
 - Exploring Educational eBooks
- 14. Embracing eBook Trends
 - Integration of Multimedia Elements
 - Interactive and Gamified eBooks

01 Chevy S10 V6 Engine Diagram Introduction

In this digital age, the convenience of accessing information at our fingertips has become a necessity. Whether its research papers, eBooks, or user manuals, PDF files have become the preferred format for sharing and reading documents. However, the cost associated with purchasing PDF files can sometimes be a barrier for many individuals and organizations. Thankfully, there are numerous websites and platforms that allow users to download free PDF files legally. In this article, we will explore some of the best platforms to download free PDFs. One of the most popular platforms to download free PDF files is Project Gutenberg. This online library offers over 60,000 free eBooks that are in the public domain. From classic literature to historical documents, Project Gutenberg provides a wide range of PDF files that can be downloaded and enjoyed on various devices. The website is user-friendly and allows users to search for specific titles or browse through different categories. Another reliable platform for downloading 01 Chevy S10 V6 Engine Diagram free PDF files is Open Library. With its vast collection of over 1 million eBooks, Open Library has something for every reader. The website offers a seamless experience by providing options to borrow or download PDF files. Users simply need to create a free account to access this treasure trove of knowledge. Open Library also allows users to contribute by uploading and sharing their own PDF files, making it a collaborative platform for book enthusiasts. For those interested in academic resources, there are websites dedicated to providing free PDFs of research papers and scientific articles. One such website is Academia.edu, which allows researchers and scholars to share their work with a global audience. Users can download PDF files of research papers, theses, and dissertations covering a wide range of subjects. Academia.edu also provides a platform for discussions and networking within the academic community. When it comes to downloading 01 Chevy S10 V6 Engine Diagram free PDF files of magazines, brochures, and catalogs, Issuu is a popular choice. This digital publishing platform hosts a vast collection of publications

from around the world. Users can search for specific titles or explore various categories and genres. Issuu offers a seamless reading experience with its user-friendly interface and allows users to download PDF files for offline reading. Apart from dedicated platforms, search engines also play a crucial role in finding free PDF files. Google, for instance, has an advanced search feature that allows users to filter results by file type. By specifying the file type as "PDF," users can find websites that offer free PDF downloads on a specific topic. While downloading 01 Chevy S10 V6 Engine Diagram free PDF files is convenient, it's important to note that copyright laws must be respected. Always ensure that the PDF files you download are legally available for free. Many authors and publishers voluntarily provide free PDF versions of their work, but it's essential to be cautious and verify the authenticity of the source before downloading 01 Chevy S10 V6 Engine Diagram. In conclusion, the internet offers numerous platforms and websites that allow users to download free PDF files legally. Whether it's classic literature, research papers, or magazines, there is something for everyone. The platforms mentioned in this article, such as Project Gutenberg, Open Library, Academia.edu, and Issuu, provide access to a vast collection of PDF files. However, users should always be cautious and verify the legality of the source before downloading 01 Chevy S10 V6 Engine Diagram any PDF files. With these platforms, the world of PDF downloads is just a click away.

FAQs About 01 Chevy S10 V6 Engine Diagram Books

How do I know which eBook platform is the best for me? Finding the best eBook platform depends on your reading preferences and device compatibility. Research different platforms, read user reviews, and explore their features before making a choice. Are free eBooks of good quality? Yes, many reputable platforms offer high-quality free eBooks, including classics and public domain works. However, make sure to verify the source to ensure the eBook's credibility. Can I read eBooks without an eReader? Absolutely! Most eBook platforms offer web-based readers or mobile apps that allow you to read eBooks on your computer, tablet, or smartphone. How do I avoid digital eye strain while reading eBooks? To prevent digital eye strain, take regular breaks, adjust the font size and background color, and ensure proper lighting while reading eBooks. What's the advantage of interactive eBooks? Interactive eBooks incorporate multimedia elements, quizzes, and activities, enhancing the reader's engagement and providing a more immersive learning experience. 01 Chevy S10 V6 Engine Diagram is one of the best books in our library for free trial. We provide a copy of 01 Chevy S10 V6 Engine Diagram in digital format, so the resources that you find are reliable. There are also many eBooks related to 01 Chevy S10 V6 Engine Diagram. Where to download 01 Chevy S10 V6 Engine Diagram online for free? Are you looking for 01 Chevy S10 V6 Engine Diagram PDF? This is definitely going to save you time and cash in something you should think about.

Find 01 Chevy S10 V6 Engine Diagram :

hemi swap harness

hay rake john deere

harvard private equity and venture capital program

history of anime in america

hierbas para la gastritis

hebrew/english bible old and new testament

henna body art

holistic joints alive

harry's unknown sister

hesi a2 anatomy and physiology quizlet multiple choice

heal thyroid and adrenals naturally

hindi grammar rules

holistic medicine for schizophrenia

head start lesson plans

health unit coordinator training online

01 Chevy S10 V6 Engine Diagram :