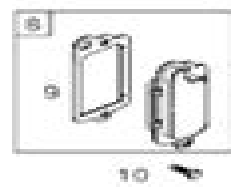
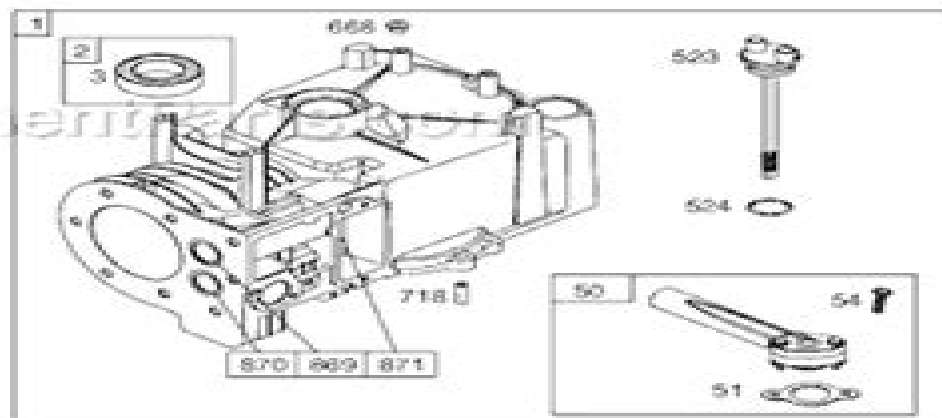
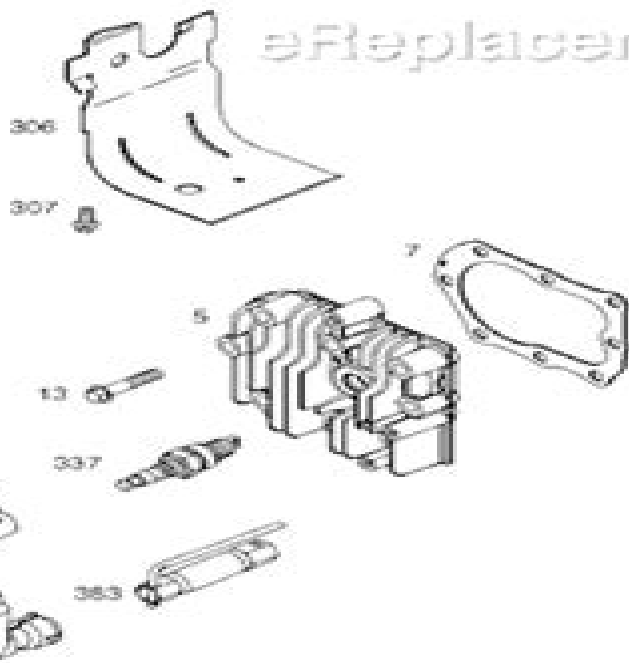




WARNING	
	Read and follow Operating instructions before running engine.
	Gasoline is flammable. Allow engine to cool at least 2 minutes before refueling.
	Engines emit carbon monoxide, DO NOT run in enclosed area.
	Exhaust area temperatures may exceed 500°F. Do not touch hot parts.

REQUIRED when replacing parts with warning labels affixed.




Briggs And Stratton 450 Series 148cc Manual

AW Rasmussen



Briggs And Stratton 450 Series 148cc Manual

Holdings: Le parole straniere sostituite dall'Accademia d'Italia, 1941 ... Le parole straniere sostituite dall'Accademia d'Italia, 1941-43 / ; Imprint: Roma : Aracne, 2010. ; Description: 242 p. ; 25 cm. ; Language: Italian ; Series: ... Le parole straniere sostituite dall'Accademia d'Italia (1941- ... Le parole straniere sostituite dall'Accademia d'Italia (1941-43) - Softcover ; Publication date 2010 ; ISBN 10 8854834122 ; ISBN 13 9788854834125 ; Binding Paperback ... Le parole straniere sostituite dall'Accademia d'Italia (1941-43) ... Amazon.com: Le parole straniere sostituite dall'Accademia d'Italia (1941-43): 9788854834125: Alberto Raffaelli: . RAFFAELLI ALBERTO, "Le parole straniere sostituite dall' ... RAFFAELLI ALBERTO, "Le parole straniere sostituite dall'Accademia d'Italia (1941-43)", presentazione di Paolo D'Achille, Roma, Aracne, 2010, pp. 208. Le parole straniere sostituite dall'Accademia d'Italia, 1941-43 Le parole straniere sostituite dall'Accademia d'Italia, 1941-43. Front Cover. Alberto Raffaelli. Aracne, 2010 - Language Arts & Disciplines - 242 pages. Il ... A. Raffaelli, Le parole straniere sostituite dall'Accademia d' ... Mar 29, 2011 — Raffaelli, Le parole straniere sostituite dall'Accademia d'Italia (1941-43). Aracne, coll. "Dulces Musae"; EAN : 9788854834125. Publié le 29 ... Le parole straniere sostituite dall'Accademia d'Italia (1941- ... Acquista Le parole straniere sostituite dall'Accademia d'Italia (1941-43) (9788854834125) su Libreria Universitaria. Un libro di Linguistica comparata e ... Le parole straniere sostituite dall'Accademia d'Italia (1941 ... Le parole straniere sostituite dall'Accademia d'Italia (1941-43) è un libro di Alberto Raffaelli pubblicato da Aracne nella collana Dulces musae: acquista ... History of the Italian Lexicon Aug 23, 2023 — Le parole straniere sostituite dall'Accademia d'Italia (1941-43). Roma, Italy: Aracne. Riga, A. (2022). Leessico antico e Nuovo vocabolario ... portable air conditioner IDYLISR. Lowes.com. 11. Page 12. OPERATING INSTRUCTIONS. AUTO-TIMER: While the Air Conditioner is in OFF/Standby Mode (Auto - On):. 1) Press the Timer button ... IDYLIS 625616 USER MANUAL Pdf Download View and Download Idylis 625616 user manual online. 625616 air conditioner pdf manual download. Idylis 625616 Manuals Manuals and User Guides for Idylis 625616. We have 1 Idylis 625616 manual available for free PDF download: User Manual. IDYLIS 0530393 Portable Air Conditioner with Heater User ... Mar 24, 2021 — This user manual provides comprehensive instructions for the IDYLIS 0530393 Portable Air Conditioner with Heater. IDYLIS Manuals - Manuals+ This user manual provides comprehensive instructions for the IDYLIS 0530393 Portable Air Conditioner with Heater. Learn about the package contents, safety ... Idylis #0530393 Portable Air Conditioner User manual View online or download PDF (2 MB) Idylis #0530393 Portable Air Conditioner User manual • #0530393 Portable Air Conditioner PDF manual download and more ... Idylis Pportable Air Conditioner 416709 Manual in 2023 Idylis 416709 User Manual View and Read online. OPERATING INSTRUCTIONS. AIR CONDITIONING. DRAINING EXCESS WATER. REPLACEMENT PARTS LIST. Idylis 625616 User's Manual Read and

download Idylis Air Conditioners 625616 User's Manual online. Download free Idylis user manuals, owners manuals, instructions, warranties and ... Idylis Portable Air Conditioner Manual Idylis Portable Air Conditioner Manual. Idylis Portable Air Conditioner Manual Idylis Air Purifier : Official Info Site. Attach the included hose (4' 11") ... Tarascon General Surgery Pocketbook: 9781449628628 Easy-to-use and convenient, the Tarascon General Surgery Pocketbook is the ideal resource for general surgeons and senior surgery residents. Tarascon General Surgery Pocketbook - James A. Chambers The Tarascon General Surgery Pocketbook is a concise, organized, portable reference guide containing appropriately referenced basic science and clinical ... Tarascon General Surgery Pocketbook - Chambers, James The Tarascon General Surgery Pocketbook is a concise, organized, portable reference guide containing appropriately referenced basic science and clinical ... Tarascon General Surgery The Tarascon General Surgery Pocketbook is a concise, organized, portable reference guide containing appropriately referenced basic science and clinical ... Tarascon General Surgery Pocketbook book by James A. ... The Tarascon General Surgery Pocketbook is a concise, organized, portable reference guide containing appropriately referenced basic science and clinical ... Tarascon Medical Procedures Pocketbook Tarascon Medical Procedures Pocketbook is an evidence-based, point of care reference guide to common ambulatory care and hospital procedures. Testimonials - Tarascon "This is a well-organized, quick reference covering a wide array of facts and techniques useful in the practice of general surgery. It is a perfect book for ... Tarascon General Surgery Pocketbook by Chambers, James The Tarascon General Surgery Pocketbook is a concise, organized, portable reference guide containing appropriately referenced basic science and clinical ... Tarascon General Surgery Pocketbook The Tarascon General Surgery Pocketbook is a concise, organized, portable reference guide containing appropriately referenced basic science and clinical ... Tarascon General Surgery Pocketbook , , 9781449628628 Excellent condition! Inside as new! May have light edgewear from shelving. Fast Shipping - Safe and Secure Bubble Mailer!

Getting the books **Briggs And Stratton 450 Series 148cc Manual** now is not type of inspiring means. You could not single-handedly going in imitation of ebook buildup or library or borrowing from your links to retrieve them. This is an very simple means to specifically acquire guide by on-line. This online proclamation Briggs And Stratton 450 Series 148cc Manual can be one of the options to accompany you behind having supplementary time.

It will not waste your time. tolerate me, the e-book will unquestionably circulate you extra thing to read. Just invest little epoch to get into this on-line revelation **Briggs And Stratton 450 Series 148cc Manual** as with ease as evaluation them wherever you are now.

https://offsite.creighton.edu/files/virtual-library/Documents/giving_birth_drawing.pdf

https://offsite.creighton.edu/files/virtual-library/Documents/gerald_ford_political_cartoon.pdf

https://offsite.creighton.edu/files/virtual-library/Documents/game_schedule_template.pdf

Table of Contents Briggs And Stratton 450 Series 148cc Manual

1. Understanding the eBook Briggs And Stratton 450 Series 148cc Manual
 - The Rise of Digital Reading Briggs And Stratton 450 Series 148cc Manual
 - Advantages of eBooks Over Traditional Books
2. Identifying Briggs And Stratton 450 Series 148cc Manual
 - Exploring Different Genres
 - Considering Fiction vs. Non-Fiction
 - Determining Your Reading Goals
3. Choosing the Right eBook Platform
 - Popular eBook Platforms

- Features to Look for in an Briggs And Stratton 450 Series 148cc Manual
- User-Friendly Interface
- 4. Exploring eBook Recommendations from Briggs And Stratton 450 Series 148cc Manual
 - Personalized Recommendations
 - Briggs And Stratton 450 Series 148cc Manual User Reviews and Ratings
 - Briggs And Stratton 450 Series 148cc Manual and Bestseller Lists
- 5. Accessing Briggs And Stratton 450 Series 148cc Manual Free and Paid eBooks
 - Briggs And Stratton 450 Series 148cc Manual Public Domain eBooks
 - Briggs And Stratton 450 Series 148cc Manual eBook Subscription Services
 - Briggs And Stratton 450 Series 148cc Manual Budget-Friendly Options
- 6. Navigating Briggs And Stratton 450 Series 148cc Manual eBook Formats
 - ePub, PDF, MOBI, and More
 - Briggs And Stratton 450 Series 148cc Manual Compatibility with Devices
 - Briggs And Stratton 450 Series 148cc Manual Enhanced eBook Features
- 7. Enhancing Your Reading Experience
 - Adjustable Fonts and Text Sizes of Briggs And Stratton 450 Series 148cc Manual
 - Highlighting and Note-Taking Briggs And Stratton 450 Series 148cc Manual
 - Interactive Elements Briggs And Stratton 450 Series 148cc Manual
- 8. Staying Engaged with Briggs And Stratton 450 Series 148cc Manual
 - Joining Online Reading Communities
 - Participating in Virtual Book Clubs
 - Following Authors and Publishers Briggs And Stratton 450 Series 148cc Manual
- 9. Balancing eBooks and Physical Books Briggs And Stratton 450 Series 148cc Manual
 - Benefits of a Digital Library
 - Creating a Diverse Reading Collection Briggs And Stratton 450 Series 148cc Manual
- 10. Overcoming Reading Challenges
 - Dealing with Digital Eye Strain
 - Minimizing Distractions
 - Managing Screen Time
- 11. Cultivating a Reading Routine Briggs And Stratton 450 Series 148cc Manual

- Setting Reading Goals Briggs And Stratton 450 Series 148cc Manual
- Carving Out Dedicated Reading Time
- 12. Sourcing Reliable Information of Briggs And Stratton 450 Series 148cc Manual
 - Fact-Checking eBook Content of Briggs And Stratton 450 Series 148cc Manual
 - Distinguishing Credible Sources
- 13. Promoting Lifelong Learning
 - Utilizing eBooks for Skill Development
 - Exploring Educational eBooks
- 14. Embracing eBook Trends
 - Integration of Multimedia Elements
 - Interactive and Gamified eBooks

Briggs And Stratton 450 Series 148cc Manual Introduction

Free PDF Books and Manuals for Download: Unlocking Knowledge at Your Fingertips In today's fast-paced digital age, obtaining valuable knowledge has become easier than ever. Thanks to the internet, a vast array of books and manuals are now available for free download in PDF format. Whether you are a student, professional, or simply an avid reader, this treasure trove of downloadable resources offers a wealth of information, conveniently accessible anytime, anywhere. The advent of online libraries and platforms dedicated to sharing knowledge has revolutionized the way we consume information. No longer confined to physical libraries or bookstores, readers can now access an extensive collection of digital books and manuals with just a few clicks. These resources, available in PDF, Microsoft Word, and PowerPoint formats, cater to a wide range of interests, including literature, technology, science, history, and much more. One notable platform where you can explore and download free Briggs And Stratton 450 Series 148cc Manual PDF books and manuals is the internet's largest free library. Hosted online, this catalog compiles a vast assortment of documents, making it a veritable goldmine of knowledge. With its easy-to-use website interface and customizable PDF generator, this platform offers a user-friendly experience, allowing individuals to effortlessly navigate and access the information they seek. The availability of free PDF books and manuals on this platform demonstrates its commitment to democratizing education and empowering individuals with the tools needed to succeed in their chosen fields. It allows anyone, regardless of their background or financial limitations, to expand their horizons and gain insights from experts in various disciplines. One of the most significant advantages of downloading PDF books and manuals lies in their portability. Unlike physical copies, digital books can be stored and carried on a single device, such as a tablet or smartphone, saving valuable space and weight. This convenience makes it possible for

readers to have their entire library at their fingertips, whether they are commuting, traveling, or simply enjoying a lazy afternoon at home. Additionally, digital files are easily searchable, enabling readers to locate specific information within seconds. With a few keystrokes, users can search for keywords, topics, or phrases, making research and finding relevant information a breeze. This efficiency saves time and effort, streamlining the learning process and allowing individuals to focus on extracting the information they need. Furthermore, the availability of free PDF books and manuals fosters a culture of continuous learning. By removing financial barriers, more people can access educational resources and pursue lifelong learning, contributing to personal growth and professional development. This democratization of knowledge promotes intellectual curiosity and empowers individuals to become lifelong learners, promoting progress and innovation in various fields. It is worth noting that while accessing free Briggs And Stratton 450 Series 148cc Manual PDF books and manuals is convenient and cost-effective, it is vital to respect copyright laws and intellectual property rights. Platforms offering free downloads often operate within legal boundaries, ensuring that the materials they provide are either in the public domain or authorized for distribution. By adhering to copyright laws, users can enjoy the benefits of free access to knowledge while supporting the authors and publishers who make these resources available. In conclusion, the availability of Briggs And Stratton 450 Series 148cc Manual free PDF books and manuals for download has revolutionized the way we access and consume knowledge. With just a few clicks, individuals can explore a vast collection of resources across different disciplines, all free of charge. This accessibility empowers individuals to become lifelong learners, contributing to personal growth, professional development, and the advancement of society as a whole. So why not unlock a world of knowledge today? Start exploring the vast sea of free PDF books and manuals waiting to be discovered right at your fingertips.

FAQs About Briggs And Stratton 450 Series 148cc Manual Books

What is a Briggs And Stratton 450 Series 148cc Manual PDF? A PDF (Portable Document Format) is a file format developed by Adobe that preserves the layout and formatting of a document, regardless of the software, hardware, or operating system used to view or print it. **How do I create a Briggs And Stratton 450 Series 148cc Manual PDF?** There are several ways to create a PDF: Use software like Adobe Acrobat, Microsoft Word, or Google Docs, which often have built-in PDF creation tools. Print to PDF: Many applications and operating systems have a "Print to PDF" option that allows you to save a document as a PDF file instead of printing it on paper. Online converters: There are various online tools that can convert different file types to PDF. **How do I edit a Briggs And Stratton 450 Series 148cc Manual PDF?** Editing a PDF can be done with software like Adobe Acrobat, which allows direct editing of text, images, and other elements within the PDF. Some free tools, like PDFescape or Smallpdf, also offer basic editing capabilities. **How do I convert a Briggs And**

Stratton 450 Series 148cc Manual PDF to another file format? There are multiple ways to convert a PDF to another format: Use online converters like Smallpdf, Zamzar, or Adobe Acrobats export feature to convert PDFs to formats like Word, Excel, JPEG, etc. Software like Adobe Acrobat, Microsoft Word, or other PDF editors may have options to export or save PDFs in different formats. **How do I password-protect a Briggs And Stratton 450 Series 148cc Manual PDF?** Most PDF editing software allows you to add password protection. In Adobe Acrobat, for instance, you can go to "File" -> "Properties" -> "Security" to set a password to restrict access or editing capabilities. Are there any free alternatives to Adobe Acrobat for working with PDFs? Yes, there are many free alternatives for working with PDFs, such as: LibreOffice: Offers PDF editing features. PDFsam: Allows splitting, merging, and editing PDFs. Foxit Reader: Provides basic PDF viewing and editing capabilities. How do I compress a PDF file? You can use online tools like Smallpdf, ILovePDF, or desktop software like Adobe Acrobat to compress PDF files without significant quality loss. Compression reduces the file size, making it easier to share and download. Can I fill out forms in a PDF file? Yes, most PDF viewers/editors like Adobe Acrobat, Preview (on Mac), or various online tools allow you to fill out forms in PDF files by selecting text fields and entering information. Are there any restrictions when working with PDFs? Some PDFs might have restrictions set by their creator, such as password protection, editing restrictions, or print restrictions. Breaking these restrictions might require specific software or tools, which may or may not be legal depending on the circumstances and local laws.

Find Briggs And Stratton 450 Series 148cc Manual :

giving birth drawing

gerald ford political cartoon

game schedule template

gd&t interview questions

gentle sleep training 5 months

genetic mutation worksheet answer key

go to market template excel

gingerbread friends activities

gary penney silver alert

genya cut in half

game pool pump parts

garrincha goal vs fiorentina 1958

glencoe geometry pdf

gifted vs autism

genius canterbury tales

Briggs And Stratton 450 Series 148cc Manual :