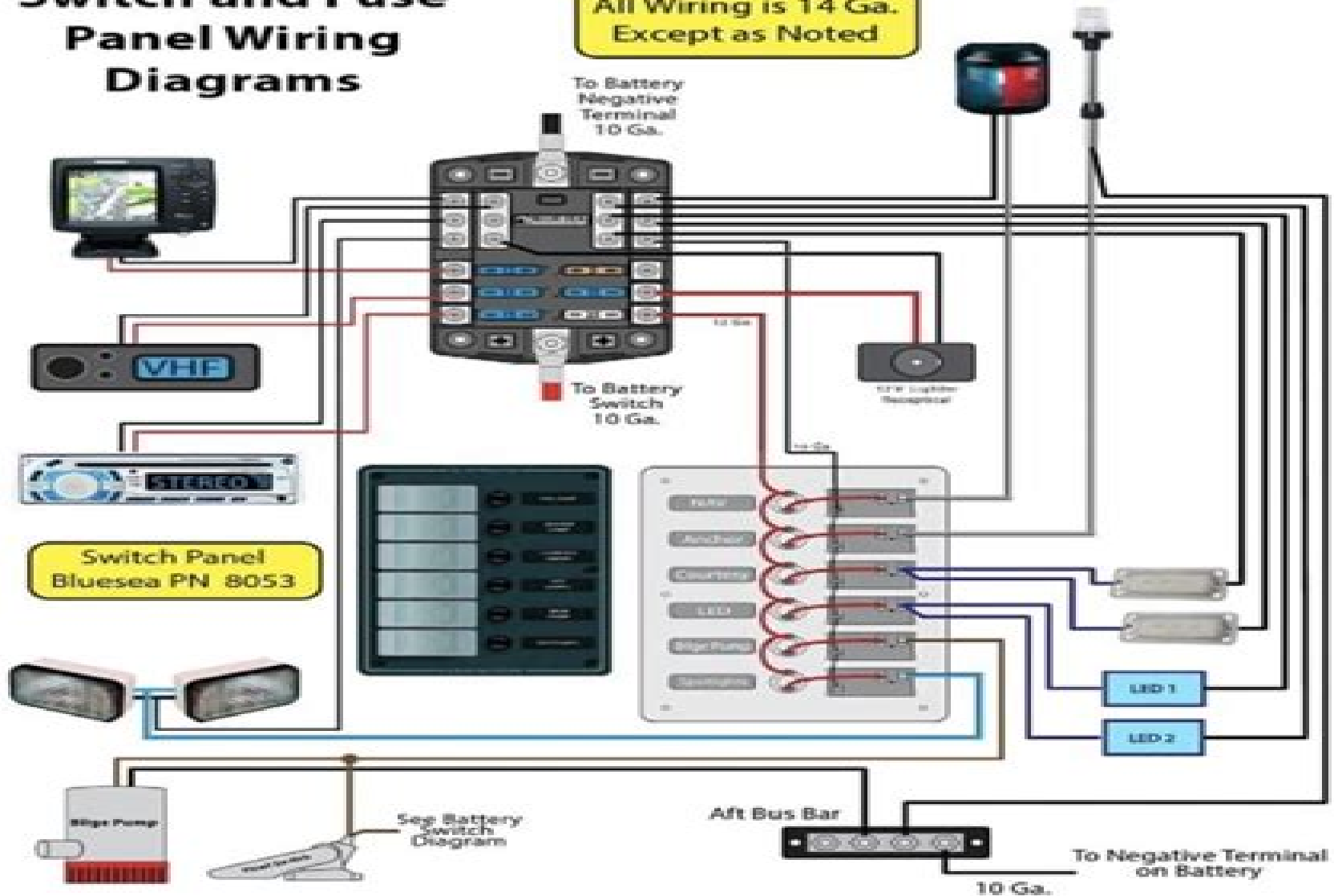


Switch and Fuse Panel Wiring Diagrams

All Wiring is 14 Ga. Except as Noted



Guide To Wiring 240v On Boats

H Kauffman



Guide To Wiring 240v On Boats

The Boat Electrics Bible Andy Johnson,2015-09-10 Following in the successful footsteps of the groundbreaking Boat Maintenance Bible and Boat Repair Bible this new title in this popular series of all encompassing technical reference bibles presented in an accessible modern and attractive way is sure to be the boater s godsend Electrics are a notoriously tricky aspect of boat ownership and maintenance both critical to the operation of the yacht or motorboat and prone to breaking down in the damp atmosphere and bouncy conditions This is the book that will take owners through all the likely problems and solutions including making new installations of equipment reviving an old boat and correcting electrical faults on their current craft Equally useful for yacht or motorboat owners and illustrated with helpful photos detailed close up shots step by step exploded diagrams and instructions this is a book every owner should keep aboard

Audel Guide to the 2005 National Electrical Code Paul Rosenberg,2005-02-17 Here s what you need to know Understanding and following the voluminous National Electrical Code is a constant challenge You need a reference that doesn t waste your time This guide extracts the information necessary for you the installer then arranges it for easy access and highlights the changes so you can quickly spot what s new Whether you re a novice or a veteran you ll want this book with you on every job Understand the terms and rules for installation set forth in the NEC Identify what s new in the 2005 version Review each section of the NEC that applies to electrical installation Find summary information on the new model ordinances Learn about the significant changes in bonding and grounding requirements Explore the expanded section covering communications equipment Comprehend the new definitions and be able to use them in interpreting Code requirements

[Illustrated Guide to the 1999 National Electrical Code](#) John E. Traister,1999 This fully illustrated guide offers a quick and easy visual reference for installing electrical systems Whether you re installing a new system or repairing an old one you ll appreciate the simple explanations written by a code expert and the detailed intricately drawn and labeled diagrams A real time saver when it comes to deciphering the current NEC

National Electrical Code National Fire Protection Association,1998 Presents the latest electrical regulation code that is applicable for electrical wiring and equipment installation for all buildings covering emergency situations owner liability and procedures for ensuring public and workplace safety

[Navigating Boat Wiring Handbook](#) Mandel T Primeau,2024-08-02 Navigating Boat Wiring Handbook A Beginner s Guide to Boat Wiring Maintenance equipment damage as well as malfunction Essentially reliability safety and peak performance are guaranteed by correctly wired boats To avoid potential safety risks equipment damage or fires caused by corrosion shorts or electrical failures meticulous planning installation and maintenance are required Don t get stranded with boat electrical wiring issues Take full control of your boat s wiring and ensure a real trouble free adventure or journey Learn how to do your boat wiring with this mind blowing guide simply hit the download BUTTON to get a copy now

Boating ,1968-01 **Boating** ,1992-01

Boating ,1967-01 *How to Perform Residential Electrical Inspections* Nick Gromicko,Gerry Beaumont,Paul Abernathy Abernathy,2015-07-22 **National Electrical Code** National Fire Protection Association,2007 Presents the latest electrical regulation code that is applicable for electrical wiring and equipment installation for all buildings covering emergency situations owner liability and procedures for ensuring public and workplace safety **The Van Conversion Bible** Charlie Low & Dale Comley,2021-04-01 Want to wake up to a breathtaking new view every morning Have you been dreaming about owning a vehicle to fuel your adventures Building a campervan gives you total freedom to create your very own rolling home Escape the daily grind hit the open road and re write the way you live The Van Conversion Bible is the ultimate guide to planning designing and converting a campervan It s more than just the story of how we built our own van Ringo it will help you build a van bespoke to your needs It provides definitive answers to your questions even the ones you haven t thought of yet to ensure you save time and avoid expensive mistakes From detailed gas water and electrical system diagrams to a step by step build guide you ll find everything you need to start your journey inside Whatever your skills and budget you can learn how to build your dream campervan Your very own home on wheels awaits *Replacing Your Boat's Electrical System* Mike Westin,2013-07-01 The second in a series of highly practical hands on step by step photographic manuals Replacing Your Boat s Electrical System fills a gap in the market for the DIY boat builder and repairer It is a subject covered only in piecemeal fashion by the yachting press which like general boat repair manuals can t go into the level of detail Micke Westin does This is a visual hand holding guide dwelling on the details as it explains each procedure rather than focussing on the theory which is relegated to an appendix for those who wish to go further **Powerboater's Guide to Electrical Systems, Second Edition** Edwin R. Sherman,2007-07-22 Understand troubleshoot repair and upgrade your boat s electrical systems Frustrated by the high cost of basic electrical work but nervous about tackling such projects yourself Get sound advice and guidance from author Ed Sherman who wrote and teaches the American Boat Yacht Council s certification program for electrical technicians In Powerboater s Guide to Electrical Systems he combines basic theory with step by step directions for troubleshooting problems making repairs and installing new equipment Learn to Draw up a wiring diagram for your boat Locate and identify wiring and circuit components Select and use a multimeter Choose and maintain battery and marine ignition systems Troubleshoot starting charging and instrument problems Install DC and AC marine accessories equipment and electronics Ed Sherman s nationally recognized expertise in electrical systems in boats makes him a natural choice to train and certify marine electricians He believes as I do that doing it right the first time will surely enhance your boating experience C T Skip Moyer III Past President American Boat Yacht Council **Lloyd's Register OneOcean's Guide to Port Entry 1987-1988 : Nations A - L** Lloyd's Register Foundation,1987-01-01 First published in 1971 these Guides provide invaluable information of thousands of maritime ports across the globe They are compiled and published annually by LR One Ocean whose years of global maritime experience allows them to provide expert and innovative solutions to the

sector's problems The Guides cover a significant geographical breadth and the most recent volume includes information on over 12 500 ports harbours and terminals worldwide These are fully indexed and contain detailed port plans and mooring diagrams

Handbook on Battery Energy Storage System Asian Development Bank,2018-12-01 This handbook serves as a guide to deploying battery energy storage technologies specifically for distributed energy resources and flexibility resources Battery energy storage technology is the most promising rapidly developed technology as it provides higher efficiency and ease of control With energy transition through decarbonization and decentralization energy storage plays a significant role to enhance grid efficiency by alleviating volatility from demand and supply Energy storage also contributes to the grid integration of renewable energy and promotion of microgrid

Lloyd's Register OneOcean's Guide to Port Entry 1989-1990 Nations A-L Lloyd's Register Foundation,1989-01-01 First published in 1971 these Guides provide invaluable information on thousands of commercial ports and terminals across the globe They are compiled and published annually by LR OneOcean whose years of global maritime experience allows them to provide expert and innovative solutions that enhance efficiency sustainability and overall industry success The Guides cover a significant geographical breadth and the most recent volume includes information on over 12 500 ports harbours and terminals worldwide These are fully indexed and contain detailed port plans and mooring diagrams

Electrical Installation Work Brian Scaddan,2011 This book covers both theory and practice for the trainee who wants to understand not only how but why electrical installations are designed installed and tested in particular ways It complies with the latest IEE Wiring Regulations

The Electrical Journal ,1915

Renewable and Efficient Electric Power Systems Gilbert M. Masters,2005-01-03 This is a comprehensive textbook for the new trend of distributed power generation systems and renewable energy sources in electric power systems It covers the complete range of topics from fundamental concepts to major technologies as well as advanced topics for power consumers An Instructor's Manual presenting detailed solutions to all the problems in the book is available from the Wiley editorial department to obtain the manual send an email to ialine@wiley.com

Lloyd's Register OneOcean's Guide to Port Entry 1995-96 Albania-Kuwait Lloyd's Register Foundation,1995-01-01 First published in 1971 these Guides provide invaluable information on thousands of commercial ports and terminals across the globe They are compiled and published annually by LR OneOcean whose years of global maritime experience allows them to provide expert and innovative solutions that enhance efficiency sustainability and overall industry success The Guides cover a significant geographical breadth and the most recent volume includes information on over 12 500 ports harbours and terminals worldwide These are fully indexed and contain detailed port plans and mooring diagrams

Types of Room Cleaning Chemicals / Taski ... TASKI CLEANING AGENTS LIST - R1 to R9 ; TASKI R3 / Diversey R3: Glass Cleaner and Mirror Cleaner ; TASKI R4 / Diversey R4: Furniture Polish / Furniture Cleaning / ... Housekeeping Chemicals

Taski R1 : Bathroom cleaner cum Sanitiser · Taski R2 : Hygienic Hard Surface Cleaner (All purpose cleaning agent) · Taski R3 : Glass and Mirror Cleaner · Taski R4 ... List of products by brand TASKI / Diversey - Facilitycart Store List of products by brand TASKI / Diversey · TASKI R1 Super - Bathroom Cleaner & Sanitiser Concentrate · TASKI R2 - Hard Surface Cleaner ... Housekeeping Chemicals | PDF Taski Cleaning Product Series · TASKI R1: Bathroom cleaner and Sanitizer · R2: All purpose cleaning agent · R3: Glass cleaner · R4: Furniture Polish · R5: Air ... Best taski chemicals list from r1-r9 with corporate uses... Taski chemicals list with their uses- · R1/ Cleaning and Sanitising of Bathroom Cleaners · R2/ All-purpose cleaner · R3/ Glass cleaner · R4/ Furniture cleaner · R5/ ... Taski R1 To R9 5 Ltr Household Cleaning Chemicals Floor ... Item Name: crew glass cleaner. Crew™ Concentrated Glass and Household Cleaner 5L is an all-in-one cleaning formulation used for all types of glass surfaces and ... Chemicals used in daily housekeeping operations Dec 8, 2019 — CLEANING AGENTS LIST - R1 to R9 TASKI R1 / Diversey R1 Cleaning and ... All-purpose cleaning agent / Hygienic Hard Surface Cleaner. TASKI R3 ... Yamaha TDM900 Service Manual 2002 2004 manuale di ... Manuale di assistenza per moto per l elemento a Yamaha TDM900 Service Manual 2002 2004, gratis! Yamaha TDM 900 Service Manual | PDF | Throttle Remove: S fuel tank Refer to FUEL TANK. S air filter case Refer to AIR FILTER CASE. 3. Adjust: S throttle cable free play NOTE: When the throttle is opened, the ... Yamaha Tdm 900 2002 2005 Manuale Servizio Rip Apr 25, 2013 — Read Yamaha Tdm 900 2002 2005 Manuale Servizio Rip by Nickie Frith on Issuu and browse thousands of other publications on our platform. Manuale Officina ITA Yamaha TDM 900 2002 al 2014 Oct 8, 2023 — Manuale Officina ITA Yamaha TDM 900 2002 al 2014. Padova (PD). 12 €. T ... Scarica gratis l'App. Subito per Android · Subito per iOS. © 2023 ... Yamaha tdm 900 2001 2003 Manuale di riparazione Top 12 ricerche: ico scoalasoferigalat honda yamaha suzuki manual i aprilia manuale officina cmx 250 Virago 535 suzuki dr600 ford . Scegli la lingua: Rumeno. Manuali Kit montaggio GIVI x TDM850 · Kit montaggio GIVI x TDM900. Istruzioni per il montaggio di tutti i supporti GIVI per il TDM850 e 900 (PDF da 3 e da 6 Mb). MANUALE OFFICINA IN ITALIANO YAMAHA TDM 900 2002 Le migliori offerte per MANUALE OFFICINA IN ITALIANO YAMAHA TDM 900 2002 - 2014 sono su eBay ☐ Confronta prezzi e caratteristiche di prodotti nuovi e usati ... Yamaha TDM850'99 4TX-AE3 Service Manual View and Download Yamaha TDM850'99 4TX-AE3 service manual online. TDM850'99 4TX-AE3 motorcycle pdf manual download. Also for: Tdm850 1999. Losing Control? Sovereignty in an Age of Globalization Immigration Tests the New Order. Economic globalization denationalizes national economies; in contrast, immigration is renationalizing politics. There is a ... Immigration Tests New Order By Sassen: A Comparative ... The book targets a specialized audience with previous knowledge and particular interest in the topic of the migration crisis. It was published in 1995 by ... Immigration tests the new order sassen - resp.app Mar 25, 2023 — Yeah, reviewing a book immigration tests the new order sassen could be credited with your close associates listings. This is just one of the ... Reading free Immigration tests the new order sassen ... Aug 14, 2023 — Yeah, reviewing a books immigration tests the new order sassen could accumulate your near links listings. This is just one of the solutions ... The

Repositioning of Citizenship by S Sassen · 2003 · Cited by 183 — issue is that of the historicity and the embeddedness of both categories, citizenship and the national state, rather than their purely formal features. The Repositioning of Citizenship: Emergent Subjects and ... by S Sassen · 2002 · Cited by 400 — SASSEN: REPOSITIONING OF CITIZENSHIP 1 1 ethnicity, religion, sex, sexual ... instance, prior to the new immigration law passed in 1996 who could prove ... saskia sassen The new immigration is further characterized by the immigrants' tendency to cluster in a few key U.S. regions. This was true as well of earlier immigration ... Losing Control?: Sovereignty in an Age of Globalization Sassen argues that a profound transformation is taking place, a partial denationalizing of national territory seen in such agreements as NAFTA and the European ... 2 The de facto Transnationalizing of Immigration Policy Discussions cover the operation of states under a new rule of law, the two cornerstones of immigration policy in developed countries — the border and individual ... Saskia Sassen by S Sassen · Cited by 159 — Next I briefly examine the question of immigrant remittances as one lens into the broader subject of the formation of alternative political economies and how ...

Fuel your quest for knowledge with Authored by is thought-provoking masterpiece, Dive into the World of **Guide To Wiring 240v On Boats** . This educational ebook, conveniently sized in PDF (PDF Size: *), is a gateway to personal growth and intellectual stimulation. Immerse yourself in the enriching content curated to cater to every eager mind. Download now and embark on a learning journey that promises to expand your horizons. .

https://offsite.creighton.edu/files/virtual-library/Documents/outdoor_savenger_hunt_pdf.pdf

https://offsite.creighton.edu/files/virtual-library/Documents/osha_final_exam.pdf

https://offsite.creighton.edu/files/virtual-library/Documents/oil_paint_steps.pdf

Table of Contents Guide To Wiring 240v On Boats

1. Understanding the eBook Guide To Wiring 240v On Boats
 - The Rise of Digital Reading Guide To Wiring 240v On Boats
 - Advantages of eBooks Over Traditional Books
2. Identifying Guide To Wiring 240v On Boats
 - Exploring Different Genres
 - Considering Fiction vs. Non-Fiction
 - Determining Your Reading Goals
3. Choosing the Right eBook Platform
 - Popular eBook Platforms
 - Features to Look for in an Guide To Wiring 240v On Boats
 - User-Friendly Interface
4. Exploring eBook Recommendations from Guide To Wiring 240v On Boats
 - Personalized Recommendations

- Guide To Wiring 240v On Boats User Reviews and Ratings
- Guide To Wiring 240v On Boats and Bestseller Lists
- 5. Accessing Guide To Wiring 240v On Boats Free and Paid eBooks
 - Guide To Wiring 240v On Boats Public Domain eBooks
 - Guide To Wiring 240v On Boats eBook Subscription Services
 - Guide To Wiring 240v On Boats Budget-Friendly Options
- 6. Navigating Guide To Wiring 240v On Boats eBook Formats
 - ePub, PDF, MOBI, and More
 - Guide To Wiring 240v On Boats Compatibility with Devices
 - Guide To Wiring 240v On Boats Enhanced eBook Features
- 7. Enhancing Your Reading Experience
 - Adjustable Fonts and Text Sizes of Guide To Wiring 240v On Boats
 - Highlighting and Note-Taking Guide To Wiring 240v On Boats
 - Interactive Elements Guide To Wiring 240v On Boats
- 8. Staying Engaged with Guide To Wiring 240v On Boats
 - Joining Online Reading Communities
 - Participating in Virtual Book Clubs
 - Following Authors and Publishers Guide To Wiring 240v On Boats
- 9. Balancing eBooks and Physical Books Guide To Wiring 240v On Boats
 - Benefits of a Digital Library
 - Creating a Diverse Reading Collection Guide To Wiring 240v On Boats
- 10. Overcoming Reading Challenges
 - Dealing with Digital Eye Strain
 - Minimizing Distractions
 - Managing Screen Time
- 11. Cultivating a Reading Routine Guide To Wiring 240v On Boats
 - Setting Reading Goals Guide To Wiring 240v On Boats
 - Carving Out Dedicated Reading Time
- 12. Sourcing Reliable Information of Guide To Wiring 240v On Boats
 - Fact-Checking eBook Content of Guide To Wiring 240v On Boats

- Distinguishing Credible Sources
13. Promoting Lifelong Learning
- Utilizing eBooks for Skill Development
 - Exploring Educational eBooks
14. Embracing eBook Trends
- Integration of Multimedia Elements
 - Interactive and Gamified eBooks

Guide To Wiring 240v On Boats Introduction

In today's digital age, the availability of Guide To Wiring 240v On Boats books and manuals for download has revolutionized the way we access information. Gone are the days of physically flipping through pages and carrying heavy textbooks or manuals. With just a few clicks, we can now access a wealth of knowledge from the comfort of our own homes or on the go. This article will explore the advantages of Guide To Wiring 240v On Boats books and manuals for download, along with some popular platforms that offer these resources. One of the significant advantages of Guide To Wiring 240v On Boats books and manuals for download is the cost-saving aspect. Traditional books and manuals can be costly, especially if you need to purchase several of them for educational or professional purposes. By accessing Guide To Wiring 240v On Boats versions, you eliminate the need to spend money on physical copies. This not only saves you money but also reduces the environmental impact associated with book production and transportation. Furthermore, Guide To Wiring 240v On Boats books and manuals for download are incredibly convenient. With just a computer or smartphone and an internet connection, you can access a vast library of resources on any subject imaginable. Whether you're a student looking for textbooks, a professional seeking industry-specific manuals, or someone interested in self-improvement, these digital resources provide an efficient and accessible means of acquiring knowledge. Moreover, PDF books and manuals offer a range of benefits compared to other digital formats. PDF files are designed to retain their formatting regardless of the device used to open them. This ensures that the content appears exactly as intended by the author, with no loss of formatting or missing graphics. Additionally, PDF files can be easily annotated, bookmarked, and searched for specific terms, making them highly practical for studying or referencing. When it comes to accessing Guide To Wiring 240v On Boats books and manuals, several platforms offer an extensive collection of resources. One such platform is Project Gutenberg, a nonprofit organization that provides over 60,000 free eBooks. These books are primarily in the public domain, meaning they can be freely distributed and downloaded. Project Gutenberg offers a wide range of classic literature, making it an excellent resource for literature enthusiasts. Another popular platform for Guide To Wiring 240v On Boats books and manuals is Open Library. Open Library is an initiative of the

Internet Archive, a non-profit organization dedicated to digitizing cultural artifacts and making them accessible to the public. Open Library hosts millions of books, including both public domain works and contemporary titles. It also allows users to borrow digital copies of certain books for a limited period, similar to a library lending system. Additionally, many universities and educational institutions have their own digital libraries that provide free access to PDF books and manuals. These libraries often offer academic texts, research papers, and technical manuals, making them invaluable resources for students and researchers. Some notable examples include MIT OpenCourseWare, which offers free access to course materials from the Massachusetts Institute of Technology, and the Digital Public Library of America, which provides a vast collection of digitized books and historical documents. In conclusion, Guide To Wiring 240v On Boats books and manuals for download have transformed the way we access information. They provide a cost-effective and convenient means of acquiring knowledge, offering the ability to access a vast library of resources at our fingertips. With platforms like Project Gutenberg, Open Library, and various digital libraries offered by educational institutions, we have access to an ever-expanding collection of books and manuals. Whether for educational, professional, or personal purposes, these digital resources serve as valuable tools for continuous learning and self-improvement. So why not take advantage of the vast world of Guide To Wiring 240v On Boats books and manuals for download and embark on your journey of knowledge?

FAQs About Guide To Wiring 240v On Boats Books

How do I know which eBook platform is the best for me? Finding the best eBook platform depends on your reading preferences and device compatibility. Research different platforms, read user reviews, and explore their features before making a choice. Are free eBooks of good quality? Yes, many reputable platforms offer high-quality free eBooks, including classics and public domain works. However, make sure to verify the source to ensure the eBook credibility. Can I read eBooks without an eReader? Absolutely! Most eBook platforms offer web-based readers or mobile apps that allow you to read eBooks on your computer, tablet, or smartphone. How do I avoid digital eye strain while reading eBooks? To prevent digital eye strain, take regular breaks, adjust the font size and background color, and ensure proper lighting while reading eBooks. What the advantage of interactive eBooks? Interactive eBooks incorporate multimedia elements, quizzes, and activities, enhancing the reader engagement and providing a more immersive learning experience. Guide To Wiring 240v On Boats is one of the best book in our library for free trial. We provide copy of Guide To Wiring 240v On Boats in digital format, so the resources that you find are reliable. There are also many Ebooks of related with Guide To Wiring 240v On Boats. Where to download Guide To Wiring 240v On Boats online for free? Are you looking for Guide To Wiring 240v On Boats PDF? This is definitely going to save you time and cash in something you should think about.

Find Guide To Wiring 240v On Boats :

outdoor scavenger hunt pdf

osha final exam

oil paint steps

paleo diet for menopause

osho zen tarot deck

one on one template excel

oregon highway 1

orphans in literature

outbound tour operators

operating systems design

online magic tricks

online computer skills test

oyo population 2022

one to one meeting with manager agenda

order of hunger games books

Guide To Wiring 240v On Boats :