

Body Repair

INTRODUCTION

BODY PANEL REPLACEMENT

- RADIATOR SUPPORT (ASSY)
- FRONT FENDER FRONT APRON (ASSY)
- FRONT APRON TO COWL SIDE UPPER MEMBER (ASSY)
- FRONT FENDER APRON (ASSY)
- FRONT SIDE MEMBER (CUT-P)
- FRONT SIDE MEMBER (CUT)
- FRONT BODY PILLAR LOWER GUSSET (ASSY)
- COWL TOP TO APRON BLADE (ASSY)
- COWL TOP SIDE PANEL (ASSY)
- FRONT BODY PILLAR (CUT): LH
- FRONT BODY PILLAR (CUT): RH
- CENTER BODY PILLAR (CUT)
- FRONT DOOR OUTER PANEL (ASSY)
- REAR DOOR OUTER PANEL (ASSY)
- ROCKER OUTER PANEL (CUT-P)
- ROCKER OUTER PANEL (CUT-H)
- ROCKER OUTER PANEL (CUT)
- ROCKER PANEL NO.5

BODY PANEL REPLACEMENT

BP-29

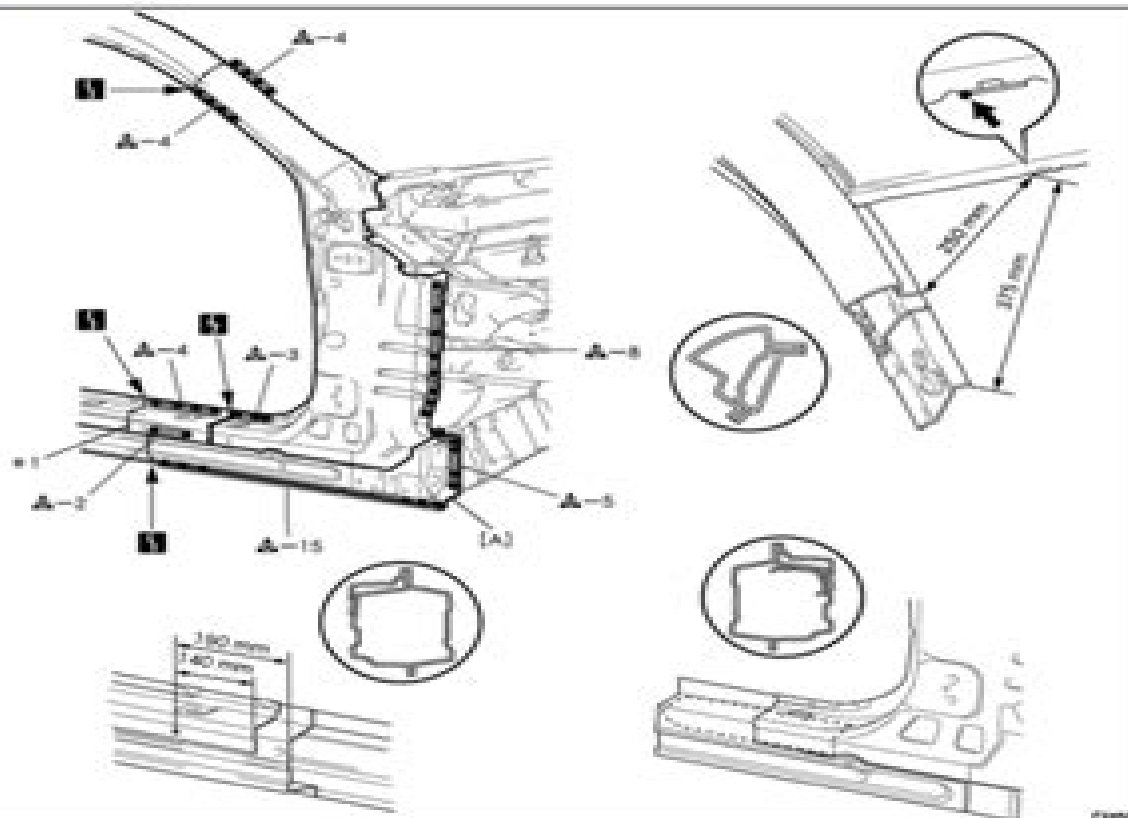
FRONT BODY PILLAR (CUT): RH

REPLACEMENT

With the front body pillar lower gusset and cowl top side panel removed.



REMOVAL



POINT

- 1 *1: This part of the outer panel is reused because the rocker panel section is cut off at a position behind the supply part out position of the outer panel.
- 2 Remove [A] at the same time.
- 3 Take care not to damage the internal reinforcement.

PART NAME

[A] Rocker Outer Panel

140 mm (5.51 in.)

180 mm (7.08 in.)

250 mm (9.84 in.)

375 mm (14.76 in.)

Lexus Is250 Repair Manual

John Haynes



Lexus Is250 Repair Manual
2015 Lexus IS250 Owner Manual Compatible with OEM Owners Manual, Factory Glovebox Book Helming,2015-06-27
2011 Lexus IS250 Owner Manual Compatible with OEM Owners Manual, Factory Glovebox Book Helming,2011-03-24
2014 Lexus IS250 Owner Manual Compatible with OEM Owners Manual, Factory Glovebox Book Helming,2014-06-13
Toyota Highlander Lexus RX 300/330/350 Haynes Repair Manual Editors of Haynes Manuals,2020-02-25 Complete step by step repair and maintenance information 700 photos and wiring diagrams all based on a full disassembly and reassembly of the vehicle
Toyota Camry and Lexus ES 300/330 Automotive Repair Manual Jay Storer,John Harold Haynes,2006-02 Haynes offers the best coverage for cars trucks vans SUVs and motorcycles on the market today Each manual contains easy to follow step by step instructions linked to hundreds of photographs and illustrations Included in every manual troubleshooting section to help identify specific problems tips that give valuable short cuts to make the job easier and eliminate the need for special tools notes cautions and warnings for the home mechanic color spark plug diagnosis and an easy to use index
<i>Toyota Camry and Lexus ES 300 Automotive Repair Manual</i> Robert Phillip Maddox,Jay Storer,John Harold Haynes,2000
<i>Chilton's Toyota/Lexus Repair Manual 1988-1992</i> Kerry A. Freeman,1992 Provides step by step instructions
<i>Toyota Highlander Lexus RX 300/330 1999 Thru 2007</i> John Haynes,2010-09-01 Haynes manuals are written specifically for the do it yourselfer yet are complete enough to be used by professional mechanics Since 1960 Haynes has produced manuals written from hands on experience based on a vehicle teardown with hundreds of photos and illustrations making Haynes the world leader in automotive repair information
<i>Lexus 1992 Repair Manual ES 300</i> Toyota Jidōsha Kabushiki Kaisha,1992
TOYOTA CAMRY ONLINE AUTO REPAIR MANUAL HAYNES MANUALS.,2020
Motor Repair Manual ... Fourth Edition [of "Motor Repair Work"], Etc MOTOR REPAIR MANUAL.,1925
Kawasaki ER-6f and ER-6n Service and Repair Manual Phil Mather,2010
<i>Kawasaki KMX125 and 200 Service and Repair Manual</i> Julian Ryder,1995-10-01 KMX125B 124cc 86 02 KMX125A 124cc 86 01 KMX200A 124cc 88 92
Kawasaki ZX600 (GPZ600R, GPX600R, Ninja 600R and RX) ZX 750 (GPX750R, Ninja 750R) 1985 to 1997 John Haynes,1998-02-05 Haynes offers the best coverage for cars trucks vans SUVs and motorcycles on the market today Each manual contains easy to follow step by step instructions linked to hundreds of photographs and illustrations Included in every manual troubleshooting section to help identify specific problems tips that give valuable short cuts to make the job easier and eliminate the need for special tools notes cautions and warnings for the home mechanic color spark plug diagnosis and an easy to use index

Suzuki GSX-R600 and 750 Service and Repair Manual Matthew Coombs,2009 GSX R600K6 599cc 2006 GSX R600K7 599cc 2007 GSX R600K8 599cc 2008 GSX R600K9 599cc 2009 GSX R750K6 750cc 2006 GSX R750K7 750cc 2007 GSX R750K8 750cc 2008 GSX R750K9 750cc 2009

Kawasaki 250, 350 and 400 Triples Owners Workshop Manual John Haynes,1989-06-29 Haynes disassembles every subject vehicle and documents every step with thorough instructions and clear photos Haynes repair manuals are used by the pros but written for the do it yourselfer

Motor Repair Manual ... P.P. - London. - Motor,1938

Suzuki GSX-R600 & GSX-R750 from 2006-2016 Haynes Repair Manual Haynes Publishing,2020-02-25 With a Haynes manual you can do it yourself from simple maintenance to basic repairs Haynes writes every book based on a complete teardown of the vehicle where we learn the best ways to do a job and that makes it quicker easier and cheaper for you Haynes books have clear instructions and hundreds of photographs that show each step Whether you are a beginner or a pro you can save big with a Haynes manual This manual features complete coverage for your Suzuki GSX R600 GSX R750 manufactured from 2006 2016 covering Routine maintenance Tune up procedures Engine repair Cooling and heating Air conditioning Fuel and exhaust Emissions control Ignition Brakes Suspension and steering Electrical systems and Wring diagrams

2020 Lexus NX Owner Manual Compatible with OEM Owners Manual, Factory Glovebox Book Helming,2020-08-04

Chilton's Motorcycle and ATV Repair Manual Chilton Automotive Editorial Staff,1986-04-01

Lexus Is250 Repair Manual Book Review: Unveiling the Magic of Language

In a digital era where connections and knowledge reign supreme, the enchanting power of language has become much more apparent than ever. Its ability to stir emotions, provoke thought, and instigate transformation is actually remarkable. This extraordinary book, aptly titled "**Lexus Is250 Repair Manual**," written by a very acclaimed author, immerses readers in a captivating exploration of the significance of language and its profound impact on our existence. Throughout this critique, we will delve to the book's central themes, evaluate its unique writing style, and assess its overall influence on its readership.

https://offsite.creighton.edu/public/uploaded-files/default.aspx/hot_air_balloon_tissue_paper.pdf

https://offsite.creighton.edu/public/uploaded-files/default.aspx/how_much_is_ben_carson_worth.pdf

<https://offsite.creighton.edu/public/uploaded-files/default.aspx/how%20to%20astral%20project%20tonight.pdf>

Table of Contents Lexus Is250 Repair Manual

1. Understanding the eBook Lexus Is250 Repair Manual
 - The Rise of Digital Reading Lexus Is250 Repair Manual
 - Advantages of eBooks Over Traditional Books
2. Identifying Lexus Is250 Repair Manual
 - Exploring Different Genres
 - Considering Fiction vs. Non-Fiction
 - Determining Your Reading Goals
3. Choosing the Right eBook Platform
 - Popular eBook Platforms
 - Features to Look for in an Lexus Is250 Repair Manual
 - User-Friendly Interface
4. Exploring eBook Recommendations from Lexus Is250 Repair Manual
 - Personalized Recommendations
 - Lexus Is250 Repair Manual User Reviews and Ratings
 - Lexus Is250 Repair Manual and Bestseller Lists
5. Accessing Lexus Is250 Repair Manual Free and Paid eBooks

- Lexus Is250 Repair Manual Public Domain eBooks
 - Lexus Is250 Repair Manual eBook Subscription Services
 - Lexus Is250 Repair Manual Budget-Friendly Options
6. Navigating Lexus Is250 Repair Manual eBook Formats
 - ePub, PDF, MOBI, and More
 - Lexus Is250 Repair Manual Compatibility with Devices
 - Lexus Is250 Repair Manual Enhanced eBook Features
 7. Enhancing Your Reading Experience
 - Adjustable Fonts and Text Sizes of Lexus Is250 Repair Manual
 - Highlighting and Note-Taking Lexus Is250 Repair Manual
 - Interactive Elements Lexus Is250 Repair Manual
 8. Staying Engaged with Lexus Is250 Repair Manual
 - Joining Online Reading Communities
 - Participating in Virtual Book Clubs
 - Following Authors and Publishers Lexus Is250 Repair Manual
 9. Balancing eBooks and Physical Books Lexus Is250 Repair Manual
 - Benefits of a Digital Library
 - Creating a Diverse Reading Collection Lexus Is250 Repair Manual
 10. Overcoming Reading Challenges
 - Dealing with Digital Eye Strain
 - Minimizing Distractions
 - Managing Screen Time
 11. Cultivating a Reading Routine Lexus Is250 Repair Manual
 - Setting Reading Goals Lexus Is250 Repair Manual
 - Carving Out Dedicated Reading Time
 12. Sourcing Reliable Information of Lexus Is250 Repair Manual
 - Fact-Checking eBook Content of Lexus Is250 Repair Manual
 - Distinguishing Credible Sources
 13. Promoting Lifelong Learning
 - Utilizing eBooks for Skill Development

- Exploring Educational eBooks
14. Embracing eBook Trends
- Integration of Multimedia Elements
 - Interactive and Gamified eBooks

Lexus Is250 Repair Manual Introduction

Lexus Is250 Repair Manual Offers over 60,000 free eBooks, including many classics that are in the public domain. Open Library: Provides access to over 1 million free eBooks, including classic literature and contemporary works. Lexus Is250 Repair Manual Offers a vast collection of books, some of which are available for free as PDF downloads, particularly older books in the public domain. Lexus Is250 Repair Manual : This website hosts a vast collection of scientific articles, books, and textbooks. While it operates in a legal gray area due to copyright issues, its a popular resource for finding various publications. Internet Archive for Lexus Is250 Repair Manual : Has an extensive collection of digital content, including books, articles, videos, and more. It has a massive library of free downloadable books. Free-eBooks Lexus Is250 Repair Manual Offers a diverse range of free eBooks across various genres. Lexus Is250 Repair Manual Focuses mainly on educational books, textbooks, and business books. It offers free PDF downloads for educational purposes. Lexus Is250 Repair Manual Provides a large selection of free eBooks in different genres, which are available for download in various formats, including PDF. Finding specific Lexus Is250 Repair Manual, especially related to Lexus Is250 Repair Manual, might be challenging as theyre often artistic creations rather than practical blueprints. However, you can explore the following steps to search for or create your own Online Searches: Look for websites, forums, or blogs dedicated to Lexus Is250 Repair Manual, Sometimes enthusiasts share their designs or concepts in PDF format. Books and Magazines Some Lexus Is250 Repair Manual books or magazines might include. Look for these in online stores or libraries. Remember that while Lexus Is250 Repair Manual, sharing copyrighted material without permission is not legal. Always ensure youre either creating your own or obtaining them from legitimate sources that allow sharing and downloading. Library Check if your local library offers eBook lending services. Many libraries have digital catalogs where you can borrow Lexus Is250 Repair Manual eBooks for free, including popular titles. Online Retailers: Websites like Amazon, Google Books, or Apple Books often sell eBooks. Sometimes, authors or publishers offer promotions or free periods for certain books. Authors Website Occasionally, authors provide excerpts or short stories for free on their websites. While this might not be the Lexus Is250 Repair Manual full book , it can give you a taste of the authors writing style. Subscription Services Platforms like Kindle Unlimited or Scribd offer subscription-based access to a wide range of Lexus Is250 Repair Manual eBooks, including some popular titles.

FAQs About Lexus Is250 Repair Manual Books

What is a Lexus Is250 Repair Manual PDF? A PDF (Portable Document Format) is a file format developed by Adobe that preserves the layout and formatting of a document, regardless of the software, hardware, or operating system used to view or print it. **How do I create a Lexus Is250 Repair Manual PDF?** There are several ways to create a PDF: Use software like Adobe Acrobat, Microsoft Word, or Google Docs, which often have built-in PDF creation tools. Print to PDF: Many applications and operating systems have a "Print to PDF" option that allows you to save a document as a PDF file instead of printing it on paper. Online converters: There are various online tools that can convert different file types to PDF. **How do I edit a Lexus Is250 Repair Manual PDF?** Editing a PDF can be done with software like Adobe Acrobat, which allows direct editing of text, images, and other elements within the PDF. Some free tools, like PDFescape or Smallpdf, also offer basic editing capabilities. **How do I convert a Lexus Is250 Repair Manual PDF to another file format?** There are multiple ways to convert a PDF to another format: Use online converters like Smallpdf, Zamzar, or Adobe Acrobats export feature to convert PDFs to formats like Word, Excel, JPEG, etc. Software like Adobe Acrobat, Microsoft Word, or other PDF editors may have options to export or save PDFs in different formats. **How do I password-protect a Lexus Is250 Repair Manual PDF?** Most PDF editing software allows you to add password protection. In Adobe Acrobat, for instance, you can go to "File" -> "Properties" -> "Security" to set a password to restrict access or editing capabilities. Are there any free alternatives to Adobe Acrobat for working with PDFs? Yes, there are many free alternatives for working with PDFs, such as: LibreOffice: Offers PDF editing features. PDFsam: Allows splitting, merging, and editing PDFs. Foxit Reader: Provides basic PDF viewing and editing capabilities. How do I compress a PDF file? You can use online tools like Smallpdf, ILovePDF, or desktop software like Adobe Acrobat to compress PDF files without significant quality loss. Compression reduces the file size, making it easier to share and download. Can I fill out forms in a PDF file? Yes, most PDF viewers/editors like Adobe Acrobat, Preview (on Mac), or various online tools allow you to fill out forms in PDF files by selecting text fields and entering information. Are there any restrictions when working with PDFs? Some PDFs might have restrictions set by their creator, such as password protection, editing restrictions, or print restrictions. Breaking these restrictions might require specific software or tools, which may or may not be legal depending on the circumstances and local laws.

Find Lexus Is250 Repair Manual :

[hot air balloon tissue paper](#)

[how much is ben carson worth](#)

[how to astral project tonight](#)

house wegener's episode

how big was t rex brain

how many brandenburg concertos are there

~~how powerful were the habsburgs~~

how old is simon and garfunkel now

how much does it cost to shoot a short film

houghton mifflin harcourt environmental science

homeschool saxon math

honor society acceptance letter

how many pages in to kill a mockingbird

~~how did calvin die in lessons in chemistry~~

how long do you wear diapers after birth

Lexus Is250 Repair Manual :

unscramble - Jan 07 2023

web unscramble words word find like the pros do you want to just look up a word or find the best word to play in scrabble or words with friends unscramble words takes letters in any order and runs the servers word finder code and shows you every word click the word to see the in depth definition thus the name word finder

unscramble named unscrambled 50 words from letters in named - Feb 25 2022

web how many words can be made from named above are the words made by unscrambling n a m e d ademn our unscramble word finder was able to unscramble these letters using various methods to generate 50 words having a unscramble tool like ours under your belt will help you in all word scramble games

unscramble words from letters word unscrambler tool - Jul 13 2023

web oct 18 2023 unscramble words with the best word finder dictionary tool a free word unscrambler to unscramble letters fast great for words with friends and scrabble go

unscramble name 220 words with name unscrambled - Jul 01 2022

web 7 letter words 8 letter words 2 letter words with name unscrambled ae am an ma na 3 letter words with name unscrambled ace age aim ain ale ama ami amp amu ana and ane ani ant any ape are arm ate

word unscrambler unscramble words from letters word - May 11 2023

web word unscrambler helps you to find the best cheats and highest scoring words for scrabble words with friends and many

other word games when playing words with friends or scrabble you can come across tricky tiles no matter our skill level it is sometimes useful to make use of a tool like unscramble and get a fresh perspective on

unscramble popular unscrambled 73 words from letters in popular - Aug 02 2022

web 5 letter words made by unscrambling letters popular appro parol polar poral poulp proul pulao pupal raupo 9 words found advertisement 4 letter words made by unscrambling letters popular loup lour opal oral oupa palp parp

unscramble famous unscrambled 57 words from letters in famous - Sep 15 2023

web it will help you the next time these letters f a m o u s come up in a word scramble game we stopped it at 42 but there are so many ways to scramble famous you can unscramble famous afmosu into 57 words click to learn more about the unscrambled words in these 6 scrambled letters famous

unscramble names words unscrambled from letters names scrabble word - Mar 29 2022

web above are the results of unscrambling names using the word generator and word unscrambler for the letters n a m e s we unscrambled the letters to create a list of all the words found in scrabble words with friends and text twist we found a total of 42 words by unscrambling the letters in names

word unscrambler unscramble letters to find words - Aug 14 2023

web 7 letter words hulzier huskier etc 6 letter words shrike hikers quirks squire lushier relish etc 5 letter words hiker hikes skier shirk hurls lures liers etc 4 letter words hike risk rise heir rule rush rusk slur sure silk sukh etc 3 letter words her his ski hie qis sir lie etc 2 letter words hi sh is er qi etc

unscrambler scrabble word finder - Feb 08 2023

web 4 letter words 216 found 5 letter words 253 found 6 letter words 160 found 7 letter words 79 found 8 letter words 17 found 9 letter words 1 found 10 letter words 1 found 11 letter words 1 found 857 playable words can be made from unscrambler ab ae al am an ar as ba be el

name unscrambler unscramble names middle names best - Oct 04 2022

web top 100 girl names boy names and unisex names for april 2022 august 2022 ultimate baby name list baby name games old testament baby names name search site search name meaning advanced name search use our name unscrambler to unscramble names in baby shower games online games and just for fun

unscramble famous 39 words with the letters famous word - Dec 06 2022

web showing 10 of 14 words advertisement unscramble famous for cheat answers from the scrabble and words with friends official word lists click here to find 39 words with famous for free

unscramble names unscrambled 62 words from letters in names - Oct 16 2023

web you can unscramble names aemns into 62 words click to learn more about the unscrambled words in these 5 scrambled

letters names

unscramble famous 34 unscrambled words from letters famous - Sep 03 2022

web 6 letter words by unscrambling famous famous 5 letter words by unscrambling famous foams 4 letter words by unscrambling famous amus foam moas oafs sofa soma sumo 3 letter words by unscrambling famous amu fas fou mas moa mos mus oaf oms sau som sou sum 2 letter words by unscrambling famous am as fa ma mo mu of

[word unscrambler](#) - Mar 09 2023

web word unscrambler word unscrambler is an easy to use online website for unscrambling and finding the best word to play which is usually by value you can generate words for scrabble words with friends wordle texttwist and many more games just enter your letters and press unscramble it and words will be displayed

unscramble name unscrambled 24 words from letters in name - Jun 12 2023

web you can unscramble name aemn into 24 words click to learn more about the unscrambled words in these 4 scrambled letters name

[names unscrambled letters anagram of names unscramble words](#) - May 31 2022

web word unscrambler results we have unscrambled the anagram names and found 61 words that match your search query where can you use these words made by unscrambling names all of the valid words created by our word finder are perfect for use in a huge range of word scramble games and general word games

unscramble names anagram of names letters to words - Apr 29 2022

web word unscrambler for names words made by unscrambling letters names has returned 42 results we have unscrambled the letters names using our word finder we used letters of names to generate new words for scrabble words with friends text twist and many other word scramble games

word finder unscrambler dictionary com - Apr 10 2023

web unscramble letters to make words and get the best scoring words with this generator use this word finder for wordle scrabble words with friends and other word games find words by entering letters into the unscrambler or choose from a word list below

word unscrambler unscramble letters into words wordfind - Nov 05 2022

web just for puzzles or something more serious also called anagrams jumbled words and phrases are thousands of years old and once acted as coded messages individuals and groups alike including the military used them to send sensitive information to

forensik 50 spektakulare kriminalfalle von der wi pdf - Apr 10 2023

web forensik 50 spektakulare kriminalfalle von der wi this is likewise one of the factors by obtaining the soft documents of

this forensik 50 spektakulare kriminalfalle von der

forensik 50 spektakulare kriminalfalle von der wi pdf 2023 - Feb 08 2023

web jun 21 2023 forensik 50 spektakulare kriminalfalle von der wi pdf getting the books forensik 50 spektakulare kriminalfalle von der wi pdf now is not type of inspiring

forensic 2022 film wikipedia - Jul 01 2022

web forensic the truth lies within or also called forensic is a 2022 indian hindi language psychological thriller film directed by vishal furia it is a remake of the 2020 malayalam

forensik 50 spektakuläre kriminalfälle von der wissenschaft - Feb 25 2022

web forensik 50 spektakuläre kriminalfälle von der wissenschaft aufgeklärt by david owen richard burgess kocku von stuckrad der forensik 1 2 forensik delphin verlag

forensik 50 spektakulare kriminalfalle von der wi pdf e - Jun 12 2023

web kriminalfalle von der wi what you following to read forensik 50 spektakulare kriminalfalle von der wi 2022 10 23 williamson bridget encyclopaedia of

forensik 50 spektakuläre kriminalfälle von der wissenschaft - Oct 24 2021

web pressecop24 forensik wissenschaft aktuell news aus forschung und forensik studium studiengänge inhalte karrierechancen wegweiser für angehörige von forensik

forensik 50 spektakuläre kriminalfälle von der wissenschaft - Aug 14 2023

web forensik 50 spektakuläre kriminalfälle von der wissenschaft aufgeklärt by david owen richard burgess kocku von stuckrad wegweiser für angehörige von forensik

forensik 50 spektakulare kriminalfalle von der wi pdf - Jul 13 2023

web apr 23 2023 forensik 50 spektakulare kriminalfalle von der wi 1 9 downloaded from uniport edu ng on april 23 2023 by guest forensik 50 spektakulare kriminalfalle von

forensik 50 spektakulare kriminalfalle von der wi pdf - Dec 06 2022

web apr 14 2023 forensik 50 spektakulare kriminalfalle von der wi 2 9 downloaded from uniport edu ng on april 14 2023 by guest communities in the contemporary world and

forensik 50 spektakuläre kriminalfälle von der wissenschaft - Jan 27 2022

web 01skriptum einföhrung und grundlagen kriminalwissenschaft forensik 50 spektakuläre kriminalfälle von der forensiker werden aufgaben amp berufsaussichten forensische

forensik 50 spektakuläre kriminalfälle von der wissenschaft - Oct 04 2022

web forensik 50 spektakuläre kriminalfälle von der wissenschaft aufgeklärt by david owen richard burgess kocku von

stuckrad 50 aufsehenerregende kriminalfälle weltweit und

forensik 50 spektakuläre kriminalfälle von der wissenschaft - Nov 24 2021

web jul 15 2023 forensik 50 spektakuläre kriminalfälle von der forensik gegen das vergessen der standard

naturwissenschaftliche forensik auf spurensuche quarks

forensik 50 spektakuläre kriminalfälle von der wissenschaft - Dec 26 2021

web der region rp online forensische wissenschaften kriminalwissenschaften de kundenrezensionen forensik 50 spektakuläre

forensische psychiatrie forensiker

forensik 50 spektakulare kriminalfalle von der wi stefano tani - May 11 2023

web forensik 50 spektakulare kriminalfalle von der wi when people should go to the books stores search instigation by shop

shelf by shelf it is essentially problematic this is why

list of forensic files episodes wikipedia - May 31 2022

web episodes title card for original show forensic files 1996 2011 is an american documentary style series which reveal how

forensic science is used to solve violent

forensik 50 spektakulare kriminalfalle von der wi 2022 - Jan 07 2023

web forensik 50 spektakulare kriminalfalle von der wi this is likewise one of the factors by obtaining the soft documents of

this forensik 50 spektakulare kriminalfalle von der

forensik 50 spektakuläre kriminalfälle von der wissenschaft - Sep 22 2021

web forensik 50 spektakuläre kriminalfälle von der wissenschaft aufgeklärt by david owen richard burgess kocku von

stuckrad magdeburg spektakulare kriminalfalle die

forensik 50 spektakulare kriminalfalle von der wi wrbb neu - Mar 09 2023

web forensik 50 spektakulare kriminalfalle von der wi recognizing the pretension ways to acquire this books forensik 50

spektakulare kriminalfalle von der wi is additionally

forensik 50 spektakuläre kriminalfälle von der wissenschaft - Mar 29 2022

web forensik 50 spektakuläre kriminalfälle von der wissenschaft aufgeklärt by david owen zentrales informationsportal für

den forensik it forensik forensik chemiezauber de

forensik 50 spektakulare kriminalfalle von der wi mail srilankalaw - Nov 05 2022

web forensik 50 spektakulare kriminalfalle von der wi is easy to use in our digital library an online entrance to it is set as

public correspondingly you can download it instantly our

forensic hindi movie review ott release date trailer - Apr 29 2022

web forensic hindi movie 2022 check out the latest news about vikrant massey s forensic movie and its story cast crew

release date photos review box office collections and
[loading interface goodreads](#) - Sep 03 2022

web discover and share books you love on goodreads

1 sezon fbi dosyaları tehlikeli dava belgesel - Aug 02 2022

web nov 10 2020 gerçek fbi dosyalarını sinematografik canlandırmalarla anlatan discovery channel reality si seri katiller bombacılar tecavüzcüler çocuk kaçıranlar insan

[le cycle mythologique irlandais et la mythologie celtique](#) - Jul 14 2023

web le cycle mythologique irlandais et la mythologie celtique by arbois de jubainville henry d 1827 1910 from old catalog

le cycle mythologique irlandais et la mythologie celtique - Jul 02 2022

web amazon fr le cycle mythologique irlandais et la mythologie celtique henri d arbois de jubainville livres livres entreprise et bourse economie neuf 13 70 tous les prix incluent la tva livraison à 0 01 vendredi 7 avril détails ou livraison accélérée mercredi 5 avril commandez dans les 2 h 54 min détails entrez votre adresse

[le cycle mythologique irlandais et la mythologie celtic](#) - Feb 09 2023

web an english translation by r i best published dublin 1903 with title the irish mythological cycle and celtic mythology language notes french text show more information

[le cycle mythologique irlandais et la mythologie celtique by](#) - Jun 13 2023

web dec 19 2015 le cycle mythologique irlandais et la mythologie celtique by arbois de jubainville free ebook project gutenberg 71 088 free ebooks le cycle mythologique irlandais et la mythologie celtique by arbois de jubainville download this ebook similar books readers also downloaded in fr peuples et sociétés bibliographic record

[mythologie celtique irlandaise wikipédia](#) - Aug 15 2023

web le cycle historique ou cycle des rois comprend des récits consacrés à des rois légendaires de l ère chrétienne le cycle d ulster ou cycle de la branche rouge est centré sur le royaume d ulster les aventures du héros cúchulainn et

[le cycle mythologique irlandais et la mythologie celtique](#) - Sep 04 2022

web un des documents le plus souvent cités sur la religion celtique est un passage de césar de bello gallico où le conquérant de la gaule raconte quels sont suivant lui les principaux dieux des peuples qu il a vaincus dans cette contrée le dieu qu ils révèrent surtout est mercure ses statues sont nombreuses les gaulois le considèrent comme l inventeur

le cycle mythologique irlandais et la mythologie celtique par - May 12 2023

web la mythologie irlandaise n a pas eu l avantage comme la mythologie grecque d être précisée et définie par l art qui a donné à chacune des divinités qui y figurent une physionomie et des contours nettement arrêtés quelque chose de vague d indéterminé flotte autour des vieux dieux irlandais et s oppose à une description for

the project gutenber ebook of le cycle mythologique irlandais et la - Mar 10 2023

web le cycle mythologique irlandais les races primitives dans la mythologie irlandaise et dans la mythologie grecque les morceaux qui appartiennent au cycle mythologique sont éparés dans les divers chapitres dont nos catalogues se composent

le cycle mythologique irlandais et la mythologie celtique - Oct 05 2022

web excerpt from le cycle mythologique irlandais et la mythologie celtique notre manière d envisager les doctrines mythologiques est toute différente de celle qu avaient adoptée les hommes politiques de rome et les croyants

mythologie irlandaise data bnf fr - Feb 26 2022

web le cycle mythologique irlandais et la mythologie celtique 1884 henri d arbois de jubainville 1827 1910 paris e thorin 1884 personnes ou collectivités en relation avec le thème mythologie irlandaise 13 ressources dans data bnf fr auteur du texte 8 henri d arbois de jubainville 1827 1910 m g l baillie

le cycle mythologique irlandais et la mythologie de henri d - Apr 30 2022

web découvrez le cycle mythologique irlandais et la mythologie celtique guide du druidisme et de l interprétation des symboles du celtisme le livre de henri d arbois de jubainville sur decitre fr 3ème libraire sur internet avec 1 million de livres disponibles en livraison rapide à domicile ou en relais 9782322256150

le cycle mythologique irlandais et la mythologie celtique fnac - Nov 06 2022

web nov 4 2020 guide du druidisme et de l interprétation des symboles du celtisme le cycle mythologique irlandais et la mythologie celtique henri d arbois de jubainville books on demand des milliers de livres avec la livraison chez vous en 1 jour ou en magasin avec 5 de réduction ou téléchargez la version ebook

cycle mythologique irlande wikiwand - Dec 07 2022

web le cycle mythologique est un des quatre cycles principaux dans la mythologie irlandaise il concerne majoritairement la mythologie païenne de l irlande mais beaucoup des dieux s étaient transformés en des rois et héros

le cycle mythologique irlandais et la mythologie - Jan 28 2022

web le cycle mythologique irlandais et la mythologie celtique hubert d arbois de jubainville 2022 08 27 un des documents le plus souvent cités sur la religion celtique est un passage de césar de bello gallico où

cours de littérature celtique 2 le cycle mythologique irlandais et la - Apr 11 2023

web cours de littérature celtique 2 le cycle mythologique irlandais et la mythologie celtique par h d arbois de jubainville 1884 livre

le cycle mythologique irlandais et la mythologie celtique guide du - Aug 03 2022

web le cycle mythologique irlandais et la mythologie celtique guide du druidisme et de l interprétation des symboles du celtisme d arbois de jubainville henri amazon fr livres livres religions et spiritualités Ésotérisme et paranormal neuf 17 00

tous les prix incluent la tva retours gratuits livraison à 0 01 mercredi 28 juin

mythologie irlandaise mythes et legendes - Dec 27 2021

web mythologie irlandaise la mythologie irlandaise préchrétienne a été préservée dans la tradition orale cette tradition orale est connue sous le nom de béaloideas avec l'arrivée du christianisme les premiers manuscrits ont été écrits en Irlande préservant nombre de ces contes dans la littérature irlandaise médiévale

le cycle mythologique irlandais et la mythologie celtique - Mar 30 2022

web les cycles épiques irlandais 3 de la place occupée par la littérature épique dans la vie des Irlandais aux premiers siècles du moyen âge 4 le cycle mythologique irlandais les races primitives dans la mythologie irlandaise et dans la mythologie grecque 5 le cycle mythologique irlandais suite

le cycle mythologique irlandais et la mythologie celtic - Jan 08 2023

web que lançait le monstre de la mythologie grecque Chimère ou Bellérophon un jet terrible de feu ardent 1 c'est la foudre dans le mythe irlandais le regard que l'œil habituellement fermé de Balor jette sur ses ennemis et qui les tue est aussi la foudre
le cycle mythologique irlandais et la mythologie celtique - Jun 01 2022

web dec 31 2016 le cycle mythologique irlandais et la mythologie celtique est le 2e volume de 12 du cours de la littérature celtique de Marie Henri d'Arbois de Jubainville publié en 1884