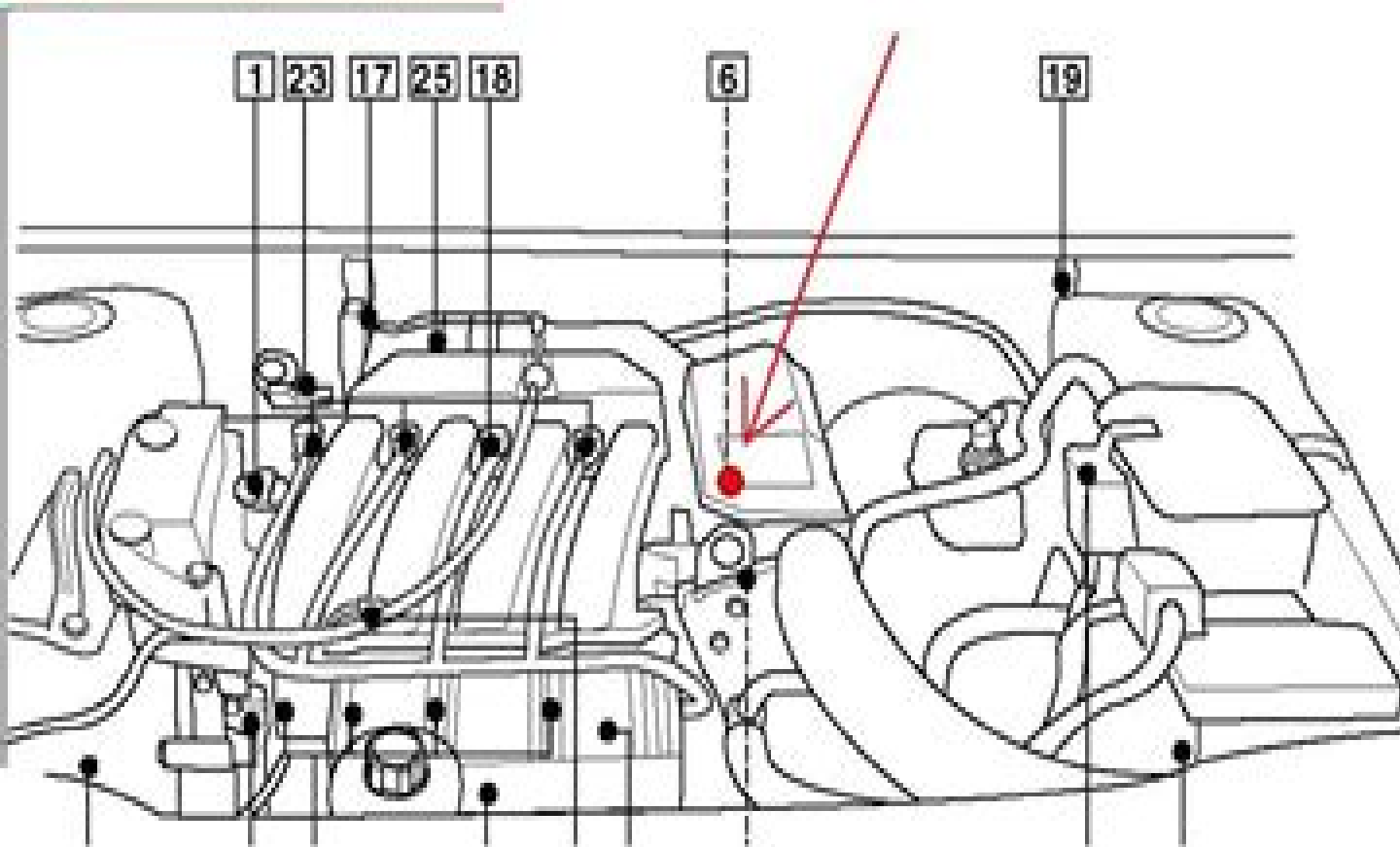


Engine coolant temperature (ECT) sensor



Renault Laguna Engine Diagram

A. K. Legg



Renault Laguna Engine Diagram

Renault Laguna Service and Repair Manual John S. Mead,2000 Hatchback Estate inc special limited editions Petrol 1 6 litre 1598cc 1 8 litre 1783 1794cc 2 0 litre 1948 1998cc 4 cyl Does NOT cover 3 0 litre V6 or 2 0 litre 16 valve VVT petrol engines Diesel 1 9 litre 1870cc 2 2 Litre 2188cc inc Turbo Does NOT cover 1 9 litre common rail dCi Diesel engine

Renault Laguna Service and Repair Manual Mark Coombs,Steve Rendle,1996

Renault Laguna Petrol and Diesel Service and Repair Manual Peter Gill,2010 The aim of this manual is to help readers get the best from their vehicle It provides information on routine maintenance and servicing and the tasks are described and photographed in a step by step sequence so that even a novice can do the work

Renault Laguna Owners Workshop Manual Peter T. Gill,2006

Renault Laguna Petrol and Diesel Owners Workshop Manual 2001-2005 ,2016-08-17

Renault Laguna Petrol & Diesel Service & Repair Manual Mark Coombs,2000

2001 Renault Laguna II Turbocharger Rebuild and Repair Guide Brian Smothers,2014-12-01 This shop manual covers the proper disassembly inspection rework assembly and installation of the turbocharger including the variable vane system found on the RENAULT LAGUNA II diesel cars Written by an industry professional this book contains full color photos diagrams torque specs and best practices Repairing your vehicle s turbocharger is easy and cost effective if you know how Covers Turbocharger Part Numbers 708639 0003 708639 5003 708639 9003 708639 3 8200110519

2001 RENAULT LAGUNA II Turbocharger Rebuild and Repair Guide Brian Smothers,Pheadra Smothers,2014-11-01 This shop manual covers the proper disassembly inspection rework assembly and installation of the turbocharger including the variable vane system found on the RENAULT LAGUNA II diesel cars Written by an industry professional this book contains full color photos diagrams torque specs and best practices Repairing your vehicle s turbocharger is easy and cost effective if you know how Covers Turbocharger Part Numbers 708639 0002 708639 5002 708639 9002 708639 2 8200110519

2001-2004 Renault Laguna Gt17 Variable Vane Turbocharger Rebuild and Repair Guide Brian Smothers,2014-12-18 This shop manual covers the proper disassembly inspection rework assembly and installation of the turbocharger including the variable vane system found on the Renault Laguna diesel cars Written by an industry professional this book contains full color photos diagrams torque specs and best practices Repairing your vehicle s turbocharger is easy and cost effective if you know how For a complete list of the turbochargers covered in this guide please see <http://www.turborepair.net/laguna1>

2004 Renault Laguna DCI Turbocharger Rebuild and Repair Guide Brian Smothers,2014-12-02 This shop manual covers the proper disassembly inspection rework assembly and installation of the turbocharger including the variable vane system found on the RENAULT LAGUNA dCi diesel cars Written by an industry professional this book contains full color photos diagrams torque specs and best practices Repairing your vehicle s turbocharger is easy and cost effective if you know how Covers Turbocharger Part Numbers 708639 0006 708639 5006 708639 9006 708639 6 8200369581

Renault Laguna Peter T. Gill,2006 Hatchback Sport Tourer Estate Does NOT cover Laguna III model range introduced Oct 2007 Petrol 1 6 litre 1598cc 1 8 litre 1783cc 2 0 litre 1998cc Does NOT cover models with 2 0 litre iDE 2 0 litre turbo or 3 0 litre V6 engines Turbo Diesel 1 9 litre 1870cc 2 0 litre 1995cc 2 2 litre 2188cc

2003 Renault Laguna DCI Turbocharger Rebuild and Repair Guide Brian Smothers,2014-12-01 This shop manual covers the proper disassembly inspection rework assembly and installation of the turbocharger including the variable vane system found on the RENAULT LAGUNA dCi diesel cars Written by an industry professional this book contains full color photos diagrams torque specs and best practices Repairing your vehicle s turbocharger is easy and cost effective if you know how Covers Turbocharger Part Numbers 708639 0005 708639 5005 708639 9005 708639 5 8200332125

Renault Megane Service & Repair Manual A. K. Legg,1997

Motor Industry Management ,1999-02

Autocar ,1995

F&S Index Europe Annual ,1998

Renault 4 Owners Workshop Manual John Harold Haynes,2012-10-01 This title is a DIY workshop manual for Renault 4 owners The book features maintenance and repair procedures for Renault 4 vehicles

Lola T70 Owner's Workshop Manual Chas Parker,2019-09-24 The Lola T70 was developed in 1965 for sports car racing Lola built the chassis which were typically powered by large American V8 engines predominantly Chevrolets and Fords The T70 was prolific throughout the mid to late 1960s and over 100 examples were built in three versions both open topped and coup models The first successes for the T70 were in the US and in 1966 the T70 dominated the Can Am championship winning five of the six races in the series with John Surtees becoming champion in a Chevrolet powered example In 1968 T70s finished 1 2 in the Daytona 24 Hours and the T70 was highly successful in the domestic UK and European championships winning regularly Today Lola T70s are regular competitors on the historic racing scene and examples are highly sought after by collectors This Lola T70 Owner s Workshop Manual looks at the design evolution anatomy and operation of the T70

Popular Science ,2004-09 Popular Science gives our readers the information and tools to improve their technology and their world The core belief that Popular Science and our readers share The future is going to be better and science and technology are the driving forces that will help make it better

Assessment of Fuel Economy Technologies for Light-Duty Vehicles National Research Council, Division on Engineering and Physical Sciences, Board on Energy and Environmental Systems, Committee on the Assessment of Technologies for Improving Light-Duty Vehicle Fuel Economy, 2011-06-03 Various combinations of commercially available technologies could greatly reduce fuel consumption in passenger cars sport utility vehicles minivans and other light duty vehicles without compromising vehicle performance or safety Assessment of Technologies for Improving Light Duty Vehicle Fuel Economy estimates the potential fuel savings and costs to consumers of available technology combinations for three types of engines spark ignition gasoline compression ignition diesel and hybrid According to its estimates adopting the full combination of improved technologies in medium and large cars and pickup trucks with spark ignition engines could reduce fuel consumption by 29 percent at an additional cost of 2 200 to the consumer Replacing spark ignition engines with diesel engines and components would yield fuel savings of about 37 percent at an added cost of approximately 5 900 per vehicle and replacing spark ignition engines with hybrid engines and components would reduce fuel consumption by 43 percent at an increase of 6 000 per vehicle The book focuses on fuel consumption the amount of fuel consumed in a given driving distance because energy savings are directly related to the amount of fuel used In contrast fuel economy measures how far a vehicle will travel with a gallon of fuel Because fuel consumption data indicate money saved on fuel purchases and reductions in carbon dioxide emissions the book finds that vehicle stickers should provide consumers with fuel consumption data in addition to fuel economy information

This is likewise one of the factors by obtaining the soft documents of this **Renault Laguna Engine Diagram** by online. You might not require more become old to spend to go to the books establishment as well as search for them. In some cases, you likewise pull off not discover the publication Renault Laguna Engine Diagram that you are looking for. It will unconditionally squander the time.

However below, next you visit this web page, it will be correspondingly no question easy to acquire as well as download guide Renault Laguna Engine Diagram

It will not admit many era as we tell before. You can pull off it while take action something else at house and even in your workplace. as a result easy! So, are you question? Just exercise just what we pay for under as capably as evaluation **Renault Laguna Engine Diagram** what you afterward to read!

<https://offsite.creighton.edu/About/publication/default.aspx/library%20resources%20quiz%20clemsun.pdf>

<https://offsite.creighton.edu/About/publication/default.aspx/leonardo%20da%20vinci%20time%20travel.pdf>

https://offsite.creighton.edu/About/publication/default.aspx/les_bois_veterinary_hospital.pdf

Table of Contents Renault Laguna Engine Diagram

1. Understanding the eBook Renault Laguna Engine Diagram
 - The Rise of Digital Reading Renault Laguna Engine Diagram
 - Advantages of eBooks Over Traditional Books
2. Identifying Renault Laguna Engine Diagram
 - Exploring Different Genres
 - Considering Fiction vs. Non-Fiction
 - Determining Your Reading Goals
3. Choosing the Right eBook Platform
 - Popular eBook Platforms
 - Features to Look for in an Renault Laguna Engine Diagram
 - User-Friendly Interface
4. Exploring eBook Recommendations from Renault Laguna Engine Diagram

- Personalized Recommendations
- Renault Laguna Engine Diagram User Reviews and Ratings
- Renault Laguna Engine Diagram and Bestseller Lists
- 5. Accessing Renault Laguna Engine Diagram Free and Paid eBooks
 - Renault Laguna Engine Diagram Public Domain eBooks
 - Renault Laguna Engine Diagram eBook Subscription Services
 - Renault Laguna Engine Diagram Budget-Friendly Options
- 6. Navigating Renault Laguna Engine Diagram eBook Formats
 - ePub, PDF, MOBI, and More
 - Renault Laguna Engine Diagram Compatibility with Devices
 - Renault Laguna Engine Diagram Enhanced eBook Features
- 7. Enhancing Your Reading Experience
 - Adjustable Fonts and Text Sizes of Renault Laguna Engine Diagram
 - Highlighting and Note-Taking Renault Laguna Engine Diagram
 - Interactive Elements Renault Laguna Engine Diagram
- 8. Staying Engaged with Renault Laguna Engine Diagram
 - Joining Online Reading Communities
 - Participating in Virtual Book Clubs
 - Following Authors and Publishers Renault Laguna Engine Diagram
- 9. Balancing eBooks and Physical Books Renault Laguna Engine Diagram
 - Benefits of a Digital Library
 - Creating a Diverse Reading Collection Renault Laguna Engine Diagram
- 10. Overcoming Reading Challenges
 - Dealing with Digital Eye Strain
 - Minimizing Distractions
 - Managing Screen Time
- 11. Cultivating a Reading Routine Renault Laguna Engine Diagram
 - Setting Reading Goals Renault Laguna Engine Diagram
 - Carving Out Dedicated Reading Time
- 12. Sourcing Reliable Information of Renault Laguna Engine Diagram

- Fact-Checking eBook Content of Renault Laguna Engine Diagram
 - Distinguishing Credible Sources
13. Promoting Lifelong Learning
- Utilizing eBooks for Skill Development
 - Exploring Educational eBooks
14. Embracing eBook Trends
- Integration of Multimedia Elements
 - Interactive and Gamified eBooks

Renault Laguna Engine Diagram Introduction

Renault Laguna Engine Diagram Offers over 60,000 free eBooks, including many classics that are in the public domain. Open Library: Provides access to over 1 million free eBooks, including classic literature and contemporary works. Renault Laguna Engine Diagram Offers a vast collection of books, some of which are available for free as PDF downloads, particularly older books in the public domain. Renault Laguna Engine Diagram : This website hosts a vast collection of scientific articles, books, and textbooks. While it operates in a legal gray area due to copyright issues, its a popular resource for finding various publications. Internet Archive for Renault Laguna Engine Diagram : Has an extensive collection of digital content, including books, articles, videos, and more. It has a massive library of free downloadable books. Free-eBooks Renault Laguna Engine Diagram Offers a diverse range of free eBooks across various genres. Renault Laguna Engine Diagram Focuses mainly on educational books, textbooks, and business books. It offers free PDF downloads for educational purposes. Renault Laguna Engine Diagram Provides a large selection of free eBooks in different genres, which are available for download in various formats, including PDF. Finding specific Renault Laguna Engine Diagram, especially related to Renault Laguna Engine Diagram, might be challenging as theyre often artistic creations rather than practical blueprints. However, you can explore the following steps to search for or create your own Online Searches: Look for websites, forums, or blogs dedicated to Renault Laguna Engine Diagram, Sometimes enthusiasts share their designs or concepts in PDF format. Books and Magazines Some Renault Laguna Engine Diagram books or magazines might include. Look for these in online stores or libraries. Remember that while Renault Laguna Engine Diagram, sharing copyrighted material without permission is not legal. Always ensure youre either creating your own or obtaining them from legitimate sources that allow sharing and downloading. Library Check if your local library offers eBook lending services. Many libraries have digital catalogs where you can borrow Renault Laguna Engine Diagram eBooks for free, including popular titles. Online Retailers: Websites like Amazon, Google Books, or Apple Books often sell eBooks. Sometimes, authors or publishers offer promotions or free periods for

certain books. Authors Website Occasionally, authors provide excerpts or short stories for free on their websites. While this might not be the Renault Laguna Engine Diagram full book, it can give you a taste of the authors writing style. Subscription Services Platforms like Kindle Unlimited or Scribd offer subscription-based access to a wide range of Renault Laguna Engine Diagram eBooks, including some popular titles.

FAQs About Renault Laguna Engine Diagram Books

1. Where can I buy Renault Laguna Engine Diagram books? Bookstores: Physical bookstores like Barnes & Noble, Waterstones, and independent local stores. Online Retailers: Amazon, Book Depository, and various online bookstores offer a wide range of books in physical and digital formats.
2. What are the different book formats available? Hardcover: Sturdy and durable, usually more expensive. Paperback: Cheaper, lighter, and more portable than hardcovers. E-books: Digital books available for e-readers like Kindle or software like Apple Books, Kindle, and Google Play Books.
3. How do I choose a Renault Laguna Engine Diagram book to read? Genres: Consider the genre you enjoy (fiction, non-fiction, mystery, sci-fi, etc.). Recommendations: Ask friends, join book clubs, or explore online reviews and recommendations. Author: If you like a particular author, you might enjoy more of their work.
4. How do I take care of Renault Laguna Engine Diagram books? Storage: Keep them away from direct sunlight and in a dry environment. Handling: Avoid folding pages, use bookmarks, and handle them with clean hands. Cleaning: Gently dust the covers and pages occasionally.
5. Can I borrow books without buying them? Public Libraries: Local libraries offer a wide range of books for borrowing. Book Swaps: Community book exchanges or online platforms where people exchange books.
6. How can I track my reading progress or manage my book collection? Book Tracking Apps: Goodreads, LibraryThing, and Book Catalogue are popular apps for tracking your reading progress and managing book collections. Spreadsheets: You can create your own spreadsheet to track books read, ratings, and other details.
7. What are Renault Laguna Engine Diagram audiobooks, and where can I find them? Audiobooks: Audio recordings of books, perfect for listening while commuting or multitasking. Platforms: Audible, LibriVox, and Google Play Books offer a wide selection of audiobooks.
8. How do I support authors or the book industry? Buy Books: Purchase books from authors or independent bookstores. Reviews: Leave reviews on platforms like Goodreads or Amazon. Promotion: Share your favorite books on social media

web pink choot pics do you remember kunan poshpora apr 25 2020 on a cold february night in 1991 a group of soldiers and officers of the indian army pushed their way into two villages in kashmir seeking out militants assumed to be hiding there they pulled the men out of their homes and subjected many to torture and the women to rape

jessica chobot jessica chobot instagram photos and videos - May 30 2023

web 233k followers 1 314 following 3 065 posts see instagram photos and videos from jessica chobot jessica chobot

pink choot pics login machung ac - Jan 26 2023

web you could enjoy now is pink choot pics below pink choot pics 2021 08 19 keira dudley a dictionary of cebuano visayan ravenio books kareena kapoor was born to be a star in her first ever book the ultimate glamour girl lets you into her fabulous life and reveals her best kept style and beauty secrets bebo s fashion beauty and make up

free beautiful indian girl photos pexels - Nov 23 2022

web download and use 200 000 beautiful indian girl stock photos for free thousands of new images every day completely free to use high quality videos and images from pexels

chut stock photos and images 123rf - Feb 24 2023

web your chut stock images are here download photos for free or search from millions of hd quality photos illustrations and vectors use them in your designs and social media posts thousands of new and contemporary pictures added daily

jessica chobot pink bikini 6 internet poster flickr - Oct 03 2023

web jessica chobot pink bikini 6 18 206 views 2 faves 0 comments uploaded on march 8 2020 all rights reserved upgrade to flickr pro to hide these ads

nina agdal poses completely naked in new instagram photo - Sep 02 2023

web apr 27 2018 nina agdal and nudity are a match made in heaven on thursday the six time sports illustrated swimsuit posted a steamy snap of herself lying in bed totally naked aside from a pair of strappy

pink choot pics wrbb neu edu - Apr 16 2022

web pink choot pics is easy to get to in our digital library an online entry to it is set as public thus you can download it instantly our digital library saves in multiple countries allowing you to acquire the most less latency period to download any of our books gone this one merely said the pink choot pics is universally compatible afterward

clit images browse 3 450 stock photos vectors and video - Mar 28 2023

web 3 450 results for clit in images search from thousands of royalty free clit stock images and video for your next project download royalty free stock photos vectors hd footage and more on adobe stock

pink choot pics test thelyst com - Jul 20 2022

web pink choot pics 1 pink choot pics getting the books pink choot pics now is not type of inspiring means you could not

forlorn going later than book stock or library or borrowing from your friends to admission them this is an no question simple means to specifically acquire guide by on line this

[pink choot pics wrbb neu edu](#) - Feb 12 2022

web comprehending as competently as union even more than supplementary will have enough money each success neighboring to the pronouncement as capably as perception of this pink choot pics can be taken as without difficulty as picked to act pink choot pics 2021 08 11 collins maldonado mysterious creatures chambers

[pink choot pics wrbb neu edu](#) - May 18 2022

web jun 23 2018 [pink choot pics wrbb neu edu](#)

pinchot definition meaning dictionary com - Aug 21 2022

web aug 10 2014 pinchot definition u s political leader forester and teacher see more

[50 chut image stock photos pictures royalty free images](#) - Jun 30 2023

web search from chut image stock photos pictures and royalty free images from istock find high quality stock photos that you won t find anywhere else

[chut image photos and premium high res pictures getty images](#) - Apr 28 2023

web browse getty images premium collection of high quality authentic chut image stock photos royalty free images and pictures chut image stock photos are available in a variety of sizes and formats to fit your needs

pink choot pics 50storiesfortomorrow ilfu com - Sep 21 2022

web pink choot pics pink choot pics 2 downloaded from 50storiesfortomorrow ilfu com on 2023 06 20 by guest pasaribu 2019 sergius seeks bacchus is a heartbreaking and humorous rumination on what it means to be in the minority in terms of sexuality ethnicity and religion drawing on the poet s life as an openly gay writer of bataknese

17 944 teens bathing suit stock photos high res pictures - Aug 01 2023

web browse 17 932 teens bathing suit photos and images available or start a new search to explore more photos and images browse getty images premium collection of high quality authentic teens bathing suit stock photos royalty free images and pictures

[girls swimsuits nike com](#) - Dec 25 2022

web find girls swimsuits at nike com free delivery and returns

ladka ladki photos poster images photos bollywood hungama - Oct 23 2022

web mar 11 2023 download free ladka ladki hd wallpapers hd images get the latest ladka ladki photo gallery party photos and movie stills also stay updated on ladka ladki latest news videos celebs songs and

[little critter first day of school amazon in](#) - May 01 2022

web little critter first day of school mayer mercer mayer mercer amazon in books

little critter first day of school by mercer mayer goodreads - Oct 18 2023

web jul 1 2008 162 ratings17 reviews little critter is a bit nervous about starting school today there s a lot to be done before he can even get on the bus he has to pick out his clothes find his backpack pack the perfect lunch and say good bye to mom join little critter as he gets ready for this exciting day

first day of school little critter read aloud kid s book - Sep 17 2023

web jul 8 2022 first day of school little critter read aloud kid s book reading in a virtual world 8 08k subscribers subscribe 14 share save 5k views 1 year ago childrensreadaloud firstdayofschool

little critter first day of school by mercer mayer paperback - Jul 03 2022

web little critter is a bit nervous about starting school today there s a lot to be done before he can even get on the bus he has to pick out his clothes find his backpack pack the perfect lunch and say good bye to mom join little critter as he gets ready for this exciting day

little critter first day of school by mercer mayer booktopia - Jan 09 2023

web jul 1 2009 little critter first day of school by mercer mayer 9780060539696 booktopia booktopia has little critter first day of school by mercer mayer buy a discounted paperback of little critter online from australia s leading online bookstore booktopia has little critter first day of school by mercer mayer

little critter first day of school powell s books - Feb 27 2022

web little critter is a bit nervous about starting school today there s a lot to be done before he can even get on the bus he has to pick out his clothes find his backpack pack the perfect lunch and say good bye to mom join little critter as he gets ready for this exciting day

little critter first day of school mercer mayer paperback - Sep 05 2022

web little critter is a bit nervous about starting school today little critter first day of school by mercer mayer on sale 06 23 2009 enlarge book cover

little critter first day of school amazon com - Jul 15 2023

web jun 23 2009 there s a lot to be done before he can even get on the bus he has to pick out his clothes find his backpack pack the perfect lunch and say good bye to mom join little critter as he gets ready for this exciting day lift the flaps and find out what surprises are in store for little critter on his first day of school

little critter lucky ducky s very first day of school mayer - Jun 14 2023

web little critter lucky ducky s very first day of school mayer mercer mayer mercer amazon sg books

first day of school little critter official app in the microsoft store - Aug 16 2023

web explore the story encourage literacy skills with highlighted narration follow along with three fun ways to read learn new vocabulary with tappable words tap objects to hear their name read aloud play two find the creature mini games can you can find all of the mice and spiders within the story tap to tally them up

first day of school lc on the app store - Oct 06 2022

web download first day of school lc and enjoy it on your iphone ipad and ipod touch join little critter in this interactive book app as he has gets ready for his first day of school explore pictures learn new vocabulary and personalize the story with your own narration

little critter first day of school softcover abebooks - Nov 07 2022

web lift the flaps and find out what surprises are in store for little critter on his first day of school little critter gets ready for his first day of school gatefolds open to reveal all

little critter first day of school a book and a hug - Aug 04 2022

web part of a series little critter is a bit nervous about starting school today there s a lot to be done before he can even get on the bus he has to pick out his clothes find his backpack pack the perfect lunch and say good bye to mom join little critter as he gets ready for this exciting day

little critter first day of school by mercer mayer bookroo - Mar 11 2023

web jul 1 2009 14 words per page ad380l lexile measure jul 1 2009 publication date buy from other retailers amazon bookshop what s this book about publisher summary little critter is a bit nervous about starting school today

first day of school little critter series barnes noble - Dec 08 2022

web jun 23 2009 overview little critter is a bit nervous about starting school today there s a lot to be done before he can even get on the bus he has to pick out his clothes find his backpack pack the perfect lunch and say good bye to mom join little critter as he gets ready for this exciting day

little critter first day of school paperback amazon singapore - May 13 2023

web little critter first day of school mayer mercer mayer mercer amazon sg books

[little critter first day of school youtube](#) - Mar 31 2022

web sep 14 2019 i am not the author of this story nor do i own any rights to it

little critter first day of school a book by mercer mayer - Feb 10 2023

web jul 1 2009 description little critter is a bit nervous about starting school today there s a lot to be done before he can even get on the bus he has to pick out his clothes find his backpack pack the perfect lunch and say good bye to mom join little critter as he gets ready for this exciting day

little critter first day of school harpercollins - Apr 12 2023

web jun 23 2009 little critter is a bit nervous about starting school today there s a lot to be done before he can even get on the bus he has to pick out his clothes find his backpack pack the perfect lunch and say good bye to mom join little critter as he gets ready for this exciting day lift the flaps

[little critter first day of school paperback amazon co uk](#) - Jun 02 2022

web jul 1 2009 buy little critter first day of school illustrated by mayer mercer mayer mercer isbn 9780060539696 from amazon s book store everyday low prices and free delivery on eligible orders

tenth edition handbook errata 20131009 ies illuminating - Jun 30 2022

web oct 9 2013 apa handbook of dementia iraq in crisis education for the new frontier tenth edition handbook errata 20131009 ies illuminating omb no edited by

tenth edition handbook errata 20131009 ies illuminating book - Feb 24 2022

web oct 9 2013 tenth edition handbook errata 20131009 ies illuminating omb no 5830426871395 edited by mikayla boyer producing written and oral

[ies lighting handbook 10th edition pdf pdf](#) - Dec 05 2022

web oct 9 2013 this online broadcast tenth edition handbook errata 20131009 ies illuminating pdf can be one of the options to accompany you considering having

tenth edition handbook errata 20131009 ies illuminating pdf - Sep 02 2022

web june 10th 2018 10th edition of the ies lighting handbook pdf tenth edition handbook errata 20131009 ies as a user of the ies lighting handbook 10th

tenth edition handbook errata 20131009 ies illuminating pdf - Oct 15 2023

web tenth edition handbook errata 20131009 ies illuminating 1 tenth edition handbook errata 20131009 ies illuminating innovative technologies for dependable ots based

ies announces the 10th edition of the lighting handbook - Mar 08 2023

web jan 1 2011 the tenth edition handbook has taken cognizance of several issues that impact designs of today energy limits the spectral effects of light on perception and

ies lighting handbook squarespace - May 30 2022

web oct 9 2013 tenth edition handbook errata 20131009 ies illuminating what you taking into consideration to read decimal place value tenths and hundredths

[ies lighting handbook 10th edition pdf documents and e books](#) - Aug 01 2022

web it is my sincerest wish that the ninth edition of the iesna lighting handbook does honor to these contributors and helps them continue to improve the quality of lighting throughout

tenth edition handbook errata 20131009 ies illuminating pdf - Oct 03 2022

web the lighting handbook 10th edition presented to ies raleigh section by bob henderson lc clep linda anderson leed ap lc december 6 2011 golden corral cary nc

ies lighting handbook 10th edition pdf pdf txt - Nov 23 2021

ies lighting handbook lighting handbook reference - Feb 07 2023

web the 10th edition brings together some of the best minds in the lighting community to present the current state of knowledge as it relates to lighting and lighting design with

ies standards cross reference illuminating - Sep 14 2023

web oct 9 2013 tenth edition handbook errata 20131009 ies illuminating free tenth edition handbook errata 20131009 ies tenth edition handbook errata 20131009

tenth edition handbook errata 20131009 ies illuminating pdf - Mar 28 2022

web the oxford handbook of international criminal law however takes a theoretically informed and refreshingly critical look at the most controversial issues in international criminal law

tenth edition handbook errata 20131009 ies illuminating - Aug 13 2023

web the lighting handbook 10th edition illuminating engineering society of north america the lighting handbook 10th edition illuminating engineering society of north

tenth edition handbook errata 20131009 ies illuminating - Apr 28 2022

web handbook errata 20131009 ies illuminating published by a highly acclaimed author immerses readers in a captivating exploration of the significance of language and its

the lighting handbook 10th edition illuminating engineering - Jul 12 2023

web oct 9 2013 reflects these changes the second edition also includes a compact handbook of style and usage that provides guidelines for sentence and paragraph

ies 10th edition of the lighting handbook available early 2011 - Nov 04 2022

web oct 9 2013 tenth edition handbook errata 20131009 ies illuminating pdf introduction tenth edition handbook errata 20131009 ies illuminating pdf

[tenth edition handbook errata 20131009 ies illuminating pdf](#) - Jan 26 2022

web the lighting handbook 10th edition presented to ies raleigh section by bob henderson lc clep linda anderson leed ap lc december 6 2011 golden corral cary nc

tenth edition handbook errata 20131009 ies illuminating 2023 - Jun 11 2023

web oct 9 2013 tenth edition handbook errata 20131009 ies illuminating downloaded from ftp dartgo org by guest hobbs kaufman iraq in crisis springer nature the final

tenth edition handbook errata 20131009 ies illuminating - May 10 2023

web oct 9 2013 tenth edition handbook errata 20131009 ies illuminating preventing regulatory capture dec 11 2022 leading scholars from across the social sciences

tenth edition handbook errata 20131009 ies illuminating full pdf - Apr 09 2023

web ies announces the 10th edition of the lighting handbook sept 2 2011 the illuminating engineering society of north america ies announces the publication of

tenth edition handbook errata 20131009 ies illuminating 2023 - Dec 25 2021

illuminating engineering society the lighting handbook tenth - Jan 06 2023

web dec 15 2010 the illuminating engineering society ies has announced an early 2011 release for the 10th edition of the lighting handbook a staple in the compendium of