

- Cover
- English
- Spanish
- French
- Italian
- German
- Dutch
- Portuguese
- Appendix



OPERATION MANUAL

MARINE DIESEL ENGINE

- 4LHA-HT(ZP)
- 4LHA-DT(ZP)
- 4LHA-ST(ZP)

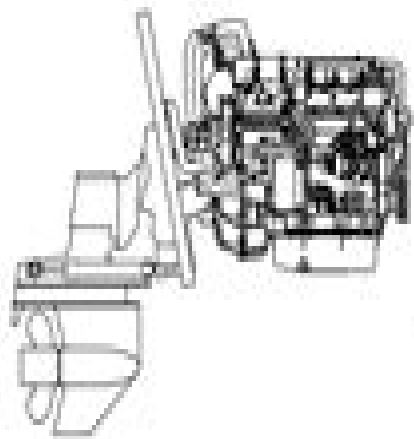
2002. 5. 30

OPERATION MANUAL

YANMAR

MARINE DIESEL ENGINE

- 4LHA-HTP/-HTZP**
- 4LHA-DTP/-DTZP**
- 4LHA-STP/-STZP**



▲
Be sure to read this manual for safe and proper operation.
Store this manual carefully after use.

Yanmar Marine Engine Parts Manual

SJ Ball



Yanmar Marine Engine Parts Manual

Marine Diesel Basics 1 Dennison Berwick,2017-05-11 Seeing is Understanding The first VISUAL guide to marine diesel systems on recreational boats Step by step instructions in clear simple drawings explain how to maintain winterize and recommission all parts of the system fuel deck fill engine batteries transmission stern gland propeller Book one of a new series Canadian author is a sailor and marine mechanic cruising aboard his 36 foot steel hulled Chevrier sloop Illustrations 300 drawings Pages 222 pages Published 2017 Format softcover Category Inboards Gas Diesel [Yanmar Marine Diesel Engine D27a](#) Yanmar,2013-03 Reprint of the official service manual for Yanmar marine diesel engines D27A and D36A

Yanmar Marine Diesel Engine 4JH2E, 4JH2-Te, 4JH2-Hte, 4JH2-Dte Yanmar,2013-05 Reprint of the official service manual for Yanmar marine diesel engines 4JH2E 4JH2 TE 4JH2 HTE 4JH2 DTE **Cruising World** ,1996-01 [Cruising World](#) ,1996-01 **Yanmar Marine Diesel Engine 2qm15** Yanmar,2013-02 Reprint of the official service manual for Yanmar marine diesel engine 2QM15 *Yanmar Marine Diesel Engines 3JH3 E , 4JH3 E, 4JH3CE1* Yanmar,2013-06 Complete Service Handbook for the Yanmar Marine Diesel Engines B C E A 4JH3 B C E and 4JH3CE1 *Cruising World* ,1996-01 *Yanmar Marine Diesel Engine 3jh2* Yanmar,2013-02 Reprint of the official service manual for Yanmar marine diesel engine model 3JH2 **Cruising World** ,1992-01 [Cruising World](#) ,1996-01 [Manuals Combined: 150+ U.S. Army Navy Air Force Marine Corps Generator Engine MEP APU Operator, Repair And Parts Manuals](#) , Over 36 000 total pages Just a SAMPLE of the CONTENTS by File Number and TM Number 013511 TM 5 6115 323 24P 4 GENERATOR SET GASOLINE ENGINE DRIVEN SKID MOUNTED TUBULAR FRAME 1 5 K SINGLE PHASE AC 120 240 V 28 VDC LESS ENGINE DOD MODELS MEP 015A 60 HZ NSN 6115 00 889 1446 AND DOD MODEL MEP 025A 28 VDC 6115 00 017 8236 TO 35C2 3 385 4 SL 4 07609A 07610A 013519 TM 5 6115 329 25P 1 GENERATOR SET GASOLINE ENGINE DR LESS ENGINE 0 5 KW AC 120 240 V 60 HZ 1 PHASE DOD MODEL FSN 6115 923 4469 400 HZ MODEL MEP 019A 6115 940 7862 AN DC MODEL MEP 024A 6115 940 7867 TO 35C2 3 440 14 013537 TM 5 6115 457 12 7 GENERATOR SET ENGINE DRIVEN TACTICAL SKID MTD 100 KW 3 PHASE 4 WIRE 120 240 416 V DOD MODELS MEP 007A UTILITY CLASS 50 60 HZ NSN 6115 00 133 9101 MODEL MEP 106A PRECISE CLASS 50 60 H 6115 00 133 9102 MODEL MEP 116A PRECISE CLASS 400 KW 6115 00 133 9103 INCLUDING OPTIONAL KITS MODEL MEP 007 AWF WINTERIZATION KIT FUEL BURNING 6115 00 463 9082 MEP 007AWE WINTERIZATION KIT ELECTRIC 6115 00 463 9084 MODEL MEP 007A DUMMY LOAD KIT 6115 00 463 9086 AND MODEL MEP 007AWM WHEEL 013538 TM 5 6115 457 34 12 GENERATOR SET DIESEL ENGINE DRIVEN TACTICAL SKID 100 KW 3 PHASE 4 WIRE 120 208 AND 240 416 V DOD MODELS MEP0 UTILITY CLASS 50 60 HZ NSN 6115 00 133 9101 MODEL MEP106A CLASS 50 60 HZ 6115 00 133 9102 AND MODEL MEP116A PRECISE 400 HZ 6115 00 133 9103 INCLUDING OPTIONAL KITS DOD MODELS MEP007AWF WINTERIZATION KIT FUEL BURNING 6115

00 463 9082 MEP007AWE WINTERIZATION KIT ELECTRIC 6115 00 463 9084 MOD MEP007ALM DUMMY LOAD KIT 6115
00 463 9086 AND MODEL MEP007A MOUNTING KIT 6 013540 TM 5 6115 458 24P 9 GENERATOR SET DIESEL ENGINE
DRIVEN TACTICAL SKID MTD 2 KW 3 PHASE 4 WIRE 120 208 AND 240 416 VOLTS DOD MODELS MEP009A UTILITY
CLASS 50 60 HZ NSN 6115 00 133 9104 AND MODEL MEP108A PRECISE CLASS 50 60 HZ 6115 00 935 8729 INCLUDING
OPTIONAL K DOD MODELS MEP009AWF WINTERIZATION KIT FUEL BURNING 6115 00 403 3761 MODEL MEP009AWE
WINTERIZATION KIT ELECTRIC 6115 00 489 7285 013545 TM 5 6115 465 12 19 GENERATOR DIESEL ENGINE DRIVEN
TACTICAL SKID MTD 30 KW 3 PHASE 4 WIRE 120 208 AND 240 416 V DOD MODEL MEP 005A UTILITY CLASS 50 6 NSN
6115 00 118 1240 MODEL MEP 104A PRECISE CLASS 50 60 6115 00 118 1247 MODEL MEP 114A PRECISE CLASS 400 HZ
6115 00 118 1248 INCLUDING AUXILIARY EQUIPMENT DOD MODEL MEP WINTERIZATION KIT FUEL BURNING 6115 00
463 9083 MODEL MEP WINTERIZATION KIT ELECTRIC 6115 00 463 9085 MODEL MEP 005A LOAD BANK KIT 6115 00
463 9088 AND MODEL MEP 005AWM WH 013547 TM 5 6115 465 34 12 GENERATOR SET DIESEL ENGINE DRIVEN
TACTIC SKID MTD 30 KW 3 PHASE 4 WIRE 120 208 AND 240 416 V DOD MO MEP 005A UTILITY 50 60 HZ NSN 6115 00
118 1240 MODEL MEP 104A PRECISE 50 60 HZ 6115 00 118 1247 MODEL MEP 114 PRECISE 50 60 HZ 6115 00 118 1248
INCLUDING OPTIONAL KITS MODEL MEP 005AWF WINTERIZATION KIT FUEL BURNING 6115 00 463 MODEL MEP
005AWE WINTERIZATION KIT ELECTRIC 6115 00 463 908 MODEL MEP 005ALM LOAD BANK KIT 6115 00 463 9088
MODEL MEP WHEEL MOUNTING KIT 6115 00 013548 TM 5 6115 545 12 18 GENERATOR DIESEL ENGINE DRIVEN
TACTICAL SKID MTD 60 KW 3 PHASE 4 WIR 120 208 AND 240 416 VOLTS DOD MODEL MEP 006A UTILITY CLASS 5 NSN
6115 00 118 1243 DOD MODEL MEP 105A PRECISE CLASS 50 60 6115 00 118 1252 DOD MODEL MEP 115A PRECISE
CLASS 400 HZ 6115 00 118 1253 INCLUDING OPTIONAL KITS DOD MODEL MEP006AWF WINTERIZATION KIT FUEL
BURNING 6115 00 407 8314 DOD MODEL MEP006AWE WINTERIZATION KIT ELECTRIC 6115 00 455 7693 DOD M
MEP006ALM LOAD BANK KIT 6115 00 407 8322 DOD MODEL MEP006 013550 TM 5 6115 545 34 12 INTERMEDIATE
FIELD DIRECT AND GENERAL SUPPORT AND DEPOT MAINTENANCE MANUAL FOR GENERATOR SET DIESEL ENGINE
DRIVEN TAC SKID MTD 60 KW 3 PHASE 4 WIRE 120 208 AND 240 416 VOLTS DOD MODELS MEP 006A UTILITY CLASS
50 60 HZ FSN 6115 118 1243 MEP 105A PRECISE CLASS 50 60 HZ 6115 118 1252 AND MEP 115A PRECISE CLASS 400
HZ 6115 118 1253 TO 35C2 3 444 2 NAVFAC P 8 626 34 TM 00038G 35 015378 TM 5 6115 323 14 10 GENERATOR
GASOLINE ENGINE DRIVEN SKID MOUNTED TUBULAR FRAME 1 5 KW SI PHASE AC 120 240 V 28 V DC LESS ENGINE
DOD MODELS MEP 01 60 HZ NSN 6115 00 889 1446 AND MODEL MEP 025A 28 V DC 6115 00 017 8236 TO 35C2 3 385 1
015380 TM 5 6115 332 24P 3 GENERATOR GASOLINE ENGINE AIR COOLED 5 KW AC 120 240 V SINGLE PHASE 120 208
V 3 PHASE SKID MOUNTED TUBULAR FRAME LESS ENGINE M DESIGN 60 HZ DOD MODEL MEP 017A NSN 6115 00 017
8240 400 DOD MODEL MEP 022A 6115 00 017 8241 TO 35C2 3 424 24 020611 LO 5 6115 457 12 GENERATOR SET DIESEL

ENGINE DRIVEN SKID MTD 100 KW 3 PHASE 120 208 AND 240 416 V DOD MODELS MEP 007A UTILITY CLASS 50 NSN 6115 00 133 9101 MODEL MEP 106A PRECISE CLASS 50 60 H 6115 00 133 9102 AND MODEL MEP 116A PRECISE CLASS 400 HZ 6115 00 133 9103 020612 LO 5 6115 458 12 GENERATOR SET DIESEL ENGINE DRIVEN SKID MTD 200 KW 3 PHASE 4 WIRE 120 208 416 VOLTS DOD MODELS MEP 009A UTILITY CLASS 50 60 HERTZ NSN 6115 00 133 9104 MEP 108A PRECISE CLASS 50 HERTZ 6115 00 935 8729 LO 07536A 12 020614 LO 5 6115 465 12 GENERATOR SET DIESEL ENGINE DRIVEN TACTICAL SKID MOUNTED 30 3 PHASE 4 WIRE 120 206 AND 240 416 V DOD MODEL MEP 055A UT CLASS 50 60 HZ NSN 6115 00 118 1240 MODEL MEP 104A PRECI CLASS 50 60 HZ 6115 00 118 1247 AND MODEL 114A PRECISE CLA 400 HZ 6115 00 118 1248 025150 TM 5 6115 271 14 12 GENERATOR SET GASOLINE ENGINE DRIVEN S MTD TUBULAR FRAME 3 KW 3 PHASE AC 120 208 AND 120 240 V 2 DC LESS ENGINE DOD MODEL MEP 016A 60 HZ NSN 6115 00 017 823 MODEL MEP 016C 60 HZ 6115 00 143 3311 MODEL MEP 021A 400 HZ 6115 00 017 8238 MODEL MEP 021C 400 HZ 6115 01 175 7321 MODEL MEP 026A DC HZ 6115 00 017 8239 MODEL MEP 026C 28 V DC 6115 01 175 7320 TO 35C2 3 386 1 TM 05926A 14 NAVFAC P 8 6 025151 TM 5 6115 271 24P 3 GENERATOR SET GASOLINE ENGINE DRIVEN SKID MOUNTED TUBULA FRAME 3 KW 3 PHASE AC 120 208 AND 120 240 VOLTS 28 VDC LE ENGINE DOD MODEL MEP 016A 60 HERTZ NSN 6115 00 017 8237 MEP 021A 400 HERTZ 6115 00 017 8238 MEP 026A 28 VDC HERTZ 6115 00 017 8239 MEP 016C 60 HERTZ 6115 01 143 3311 MEP 400 HERTZ 6115 01 175 7321 MEP 026C 28 VDC HERTZ 6115 01 175 7320 TO 35C2 3 386 4 SL 4 05926A 032507 TM 5 6115 275 14 10 GENERATOR SET GASOLINE ENGINE DRIVEN SKID MOUNTED TUBULAR FRAME 10 KW AC 120 208V PHASE AND 120 240V SINGLE PHASE LESS ENGINE DOD MODELS MEP HZ NSN 6115 00 889 1447 AND MEP 023A 400 HZ 6115 00 926 08 NAVFAC P 8 615 14 TO 35C2 3 452 1 THIS ITEM IS INCLUDED ON EM 0086 EM 0088 D MEP 018A UTILITY CLASS 60 HZ NSN 6115 00 889 1447 AND MEP 0 PRECISE CLASS 400 HZ 6115 00 926 0843 NAVFAC P8 615 24P TO 35C2 3 452 4 THIS ITEM IS INCLUDED ON EM 0086 EM 0088 1 PHASE 3 WIRE 3 PHASE 4 WIRE 120 120 240 AND 120 208 V DOD MODEL MEP 002A UTILITY CLASS 60 HZ NSN 6115 00 465 1044 NAVFAC P 8 622 12 TO 35C2 3 456 1 TM 05682C 12 032640 TM 5 6115 585 12 12 GENERATOR SET DIESEL ENGINE DRIVEN TACTICAL SKID MTD 10 KW 1 PHASE 2 WIRE 1 PHASE 3 WIRE AND 3 PHASE 4 WIRE 120 120 240 AND 120 208 V DOD MODEL MEP 003A UTILITY CLASS 60 HZ NSN 6115 00 465 1030 AND MODEL MEP 112A UTILITY CLASS 400 HZ 6115 00 465 1027 NAVFAC P 8 623 12 TO 35C2 3 455 1 TM 05684C 05685B 12 032781 TM 5 6115 584 34 8 GENERATOR SET DIESEL ENGINE DRIVEN TAC SKID MOUNTED 5 KW 1 PHASE 2 WIRE 1 PHASE 3 WIRE 3 PHASE 120 120 240 AND 120 208 V DOD MODEL MEP 002A UTILITY CLASS NSN 6115 00 465 1044 NAVFAC P 8 622 34 TO 35C2 3 456 2 TM 0568C 34 032936 TM 5 6115 329 14 4 GENERATOR SET GASOLINE ENGINE DRIVEN 0 5 KW LESS ENGINE DOD MODEL MEP 014 UTILITY CLASS 60 HZ NSN 6115 00 923 4469 DOD MODEL MEP 01 UTILITY CLASS 400 HZ 6115 00 940 7862 AND DOD MODEL MEP 024 UTILITY CLASS 28 VDC 6115 00 940 7867 TO 35C2 3 440 1 033374 TM 5

6115 332 14 10 GENERATOR SET TAC GASOLINE ENGINE AIR COOLED 5 KW AC 120 240 V SINGLE PHASE V 3 PHASE SKID MOUNTED TUBULAR FRAME LESS ENGINE MILITARY DOD MODEL MEP 017A UTILITY 60 HZ NSN 6115 00 017 8240 AND MODEL MEP 022A UTILITY 400 HZ 6115 00 017 8241 NAVFAC P 8 614 14 TO 35C2 3 424 1 033750 TM 5 6115 585 34 9 GENERATOR SET DIESEL ENGINE DRIVEN TAC SKID MOUNTED 10 KW 1 PHASE 2 WIRE 1 PHASE 3 WIRE 3 PHASE 4 WIRE 120 120 240 AND 120 208 VOLTS DOD MODEL MEP 003A UT CLASS 60 HZ NSN 6115 00 465 1030 NAVFAC P 8 623 12 TO 35C2 3 455 2 TM 05684C 05685B 34 034072 TM 5 6115 585 24P 5 GENERATOR SET DIESEL ENGINE DRIVEN TA SKID MTD 10 KW 1 PHASE 2 WIRE 1 PHASE 3 WIRE 3 PHASE 4 W 120 120 240 AND 120 208 V DOD MODELS 003A UTILITY CLASS 60 NSN 6115 00 465 1030 AND MODEL MEP 112A UTILITY CLASS 400 6115 00 465 1027 NAVFAC P 8 623 24P TO 35C2 3 455 4 SL 4 05684C 06585B 040180 TM 5 6115 584 12 HR HAND RECEIPT MANUAL COVERING END ITEM COMPONENTS OF END ITEM C BASIC ISSUE ITEMS BII AND ADDITIONAL AUTHORIZATION LIST AAL GENERATOR SET DIESEL ENGINE DRIVEN TACTICAL SKID MTD 5 KW 1 WIRE 1 PH 3 WIRE 3 PH 4 WIRE 120 120 240 AND 120 208 V D MEP 002A UTILITY CLASS 60 HZ NSN 6115 00 465 1044 040833 TM 5 6115 458 12 HR HAND RECEIPT MANUAL COVERING THE END ITEM COMPONENTS OF END ITE BASIC ISSUE ITEMS BII AND ADDITIONAL AUTHORIZATION LIST AA GENERATOR SET DIESEL ENGINE DRIVEN TACTICAL SKID MOUNTED 20 3 PHASE 4 WIRE 120 208 AND 240 416 V DOD MODEL MEP 009A UT CLASS 50 60 HZ NSN 6115 00 133 9104 AND DOD MODEL MEP 108A PRECISE CLASS 50 60 HZ 6115 00 935 8729 040843 TM 5 6115 593 34 GENERATOR SET DIESEL ENGINE DRIVEN TAC SKID MTD 500 KW 3 PHASE 4 WIRE 120 208 AND 240 416 VOLTS DOD MODEL MEP 029A CLASS UTILITY 50 60 HZ NSN 6115 01 030 DOD MODEL MEP 029B CLASS UTILITY 50 60 HZ 6115 01 318 6302 INCLUDING OPTIONAL KITS DOD MODEL MEP 029AHK HOUSING KIT 6115 01 070 7550 DOD MODEL MEP 029ACM AUTOMATIC CONTROL MO 6115 01 275 7912 DOD MODEL MEP 029ARC REMOTE CONTROL MODULE 6110 01 070 7553 DOD MODEL MEP 029ACC REMOTE CONTROL CABLE 6110 01 087 4127 NAVFAC P 8 041070 TM 5 6115 593 12 GENERATOR SET ENGINE DRIVEN TACTICAL SKID MTD 500 KW 3 PHASE 4 WIRE 120 240 416 VOLTS DOD MODEL MEP 029A CLASS UTILITY HERTZ 50 60 NSN 6115 01 030 6085 MEP 029B UTILITY 50 60 6115 01 318 INCLUDING OPTIONAL KTS DOD MODELS MEP 029AHK NOMENCLATURE HOUS 6115 01 070 7550 MEP 029ACM AUTOMATIC CONTROL MODULE 6115 01 275 7912 MEP 029ARC REMOTE CONTROL MODULE 6110 01 070 7553 MEP 029ACC REMOTE CONTROL CABLE 6110 01 087 4127 TO 35C2 3 463 1 041338 LO 55 1730 229 12 POWER UNIT AVIATION MULTI OUTPUT GTED ELECTRICAL HYDRAULIC PNEUMATIC AGPU WHEEL MOUNTED SELF PROPELLED TOWABLE DOD MODEL MEP 360A CLASS PRECISE HERTZ 400 NSN 1730 01 144 1897 042791 TM 5 6115 457 12 HR HAND RECEIPT MANUAL COVERING THE BASIC ISSUE ITEMS BII FOR GE SET DIESEL ENGINE DRIVEN TACTICAL SKID MTD 100 KW 3 PHASE 120 208 AND 240 416 V DOD MODELS MEP007A UTILITY CLASS 50 6 NSN 6115 00 133 9101 MODEL MEP 106A PRECISE CLASS 50 60 6115 00 133 9102 AND

MODEL MEP116A PRECISE CLASS 400 HZ 6115 00 133 9103 043437 TM 5 6115 593 24P 1 GENERATOR SET DIESEL ENGINE DRIVEN TACTICAL SKID MOUNTED 500 KW 3 PHA 4 WIRE 120 208 AND 240 416 VOLTS DOD MODEL MEP 029A UTILITY CL 50 60 HZ NSN 6115 01 030 6085 MEP 029B UTILITY CLASS 50 60 6115 01 318 6302 INCLUDING OPTIONAL KITS DOD MODEL MEP 029AHK HOUSING KIT 6115 01 070 7550 MEP 029ACM AUTOMATIC CONTROL MOD 6115 01 275 7912 MEP 029ARC REMOTE CONTROL MODULE 6110 01 070 7553 MEP 029ACC REMOTE CONTROL CABLE 6110 01 087 NAVFAC P 8 631 24P TO 35C2 3 463 4 044703 TM 5 6115 545 12 HR HAND RECEIPT MANUAL COVERING COMPONENTS OF END ITEM COEI BAS ITEMS BII AND ADDITIONAL AUTHORIZATION LIST AAL FOR GENERA DIESEL ENGINE DRIVEN TACTICAL SKID MTD 60 KW 3 PHASE 4 WIRE 120 208 AND 240 416 V DOD MODELS MEP 006A UTILITY CLASS 50 6 NSN 6115 00 118 1243 MODEL MEP 105A PRECISE CLASS 50 60 H 6115 00 118 1252 AND MODEL MEP 115A PRECISE CLASS 400 HZ 6115 00 118 1253 050998 TM 5 6115 600 12 8 GENERATOR DIESEL ENGINE DRIVEN TACTICAL SKID MTD 100 KW 3 PHASE 4 WIR 120 208 AND 240 416 V DOD MODEL MEP 007B CLASS UTILITY 50 60 NSN 6115 01 036 6374 INCLUDING OPTIONAL KITS DOD MODEL MEP00 WINTERIZATION KIT FUEL BURNING AND MEP007BWE WINTERIZATION KIT ELECTRIC 051007 TM 5 6115 600 24P 4 GENERATOR SET DIESEL ENGINE DRIVEN 100 KW 3 PHASE 4 WIRE 120 208 AND VOLTS DOD MODEL MEP 007B UTILITY CLASS 50 60 HZ NSN 6115 01 036 6374 INCLUDING OPTIONAL KITS DOD MODEL MEP007BWF WINTERIZATION KIT FUEL BURNING AND MEP007BWE WINTERIZATION KIT ELECTRIC TO 35C2 3 442 14 NAVFAC P 8 628 24P SL 4 07464B 057268 LO 5 6115 600 12 GENERATOR SET DIESEL ENGINE DRIVEN TACTICAL SKID MTD 100 KW PHASE 4 WIRE 120 208 AND 240 416 V DOD MODEL MEP007B CLASS UTILITY 50 60 HZ NSN 6115 01 036 6374 057513 LO 5 6115 604 12 GENERATOR SET DIESEL ENGINE DRIVEN AIR TRANSPORTABLE SKID MT 750 KW 3 PHASE 4 WIRE 2400 4160 AND 2200 3800 VOLTS DOD MOD MEP208A CLASS PRIME UTILITY HZ 50 60 NSN 6115 00 450 5881 LI 6115 12 9 060183 TM 5 6115 612 24P 6 GENERATOR SET AVIATION GAS TURBINE ENGINE DRIVEN INTEGRA TRAILER MOUNTED 10KW 28 VOLTS MODEL MEP 362A PRECISE DC NSN 6115 01 161 3992 TM 6115 24P 1 AG 320B0 IPE 000 TO 35C2 3 471 4 060188 TM 5 6115 612 34 4 GENERATOR SET AVIATION GAS TURBINE ENG DRIVEN INTEGRAL TRAILER MOUNTED 10KW 28 VOLTS DOD MODEL MEP 36 PRECISE DC NSN 6115 01 161 3992 AG 320BO MME 000 TM 6115 TO 35C2 3 471 2 060645 LO 5 6115 612 12 AVIATION GENERATOR SET GAS TURBINE ENGINE DRIVEN INTEGRAL TR MOUNTED 10KW 28 VOLTS DC DOD MODEL MEP 362A CLASS PRECISE NSN 6115 01 161 3992 060921 TM 55 1730 229 34 5 POWER UNIT AVIATION MULTI OUTPUT GTED ELECTRICAL HYDRAULIC PNEUMATIC AGPU WHEEL MOUNTED SELF PROPELLED TOWA AC 400HZ 3PH 0 8 PF 115 200V 30 KW DC 28VDC 700 AMPS PNEUMATIC 60 LBS MIN AT 40 PSIG HYDRAULIC 15 GPM AT 3300 PS DOD MODEL MEP 360A CLASS PRECISE 400 HERTZ NSN 1730 01 144 AG 320A0 MME 000 TO 35C2 3 473 2 TM 1730 34 1 060922 TM 55 1730 229 12 8 POWER UNIT AVIATION MULTI OUTPUT GTED ELECTRICAL HYDRAULIC PNEUMATIC

AGPU WHEEL MOUNTED SELF PROPELLED TOWABLE AC 400HZ 3PH 0 8 PF 115 200V 30 KW DC 28 VDC 700 AMPS
PNEUMATIC 60 LBS M AT 40 PSIG HYDRAULIC 15 GPM AT 3300 PSIG DOD MODEL MEP 360A CLASS PRECISE HERTZ
400 NSN 1730 01 144 1897 AG 320A0 OMM OOO TO 35C2 3 473 1 TM 1730 12 1 061758 LO 5 6115 614 12 GENERATOR
SET DIESEL ENGINE DRIVEN TACTICAL SKID MTD 200 KW 3 PHASE 4 WIRE 120 208 AND 240 416 VOLTS MODEL
MEP009B UTILI 50 60 HERTZ NSN 6115 01 021 4096 061772 LO 5 6115 622 12 GENERATOR SET DIESEL ENGINE
DRIVEN WHEEL MOUNTED 750 KW 3 PH 4 WIRE 2200 3800 AND 2400 4160 VOLTS CUMMINS ENGINE COMPANY IN
MODEL KTA 2300G 2 DOD MODEL MEP 012A CLASS UTILITY HERTZ 062762 LO 5 6115 615 12 GENERATOR SET DIESEL
ENGINE DRIVEN TACTICAL SKID MOUNTED 3 K MODEL 016B CLASS UTILITY MODE 50 60 HZ NSN 6115 01 150 4140
DOD MODEL MEP 021B CLASS UTILITY MODE 400 HZ 6115 01 151 812 DOD MODEL MEP 026B CLASS UTILITY MODE
28 VDC 6115 01 150 036 LI 05926B 06509B 12 5 P 8 646 LO 064310 TM 5 6115 626 14 TM 1730 24P AG 320A0 IPB 000
065603 TB 5 6115 593 24 WARRANTY PROGRAM FOR GENERATOR SET DOD MODEL MEP 029A HOUSING K DOD
MODEL MEP 029AHK 066727 TM 5 6115 640 14 2 MEP 005A 30 KW 60 HZ GEN SETS 2 M200A1 2 WHEEL 4 TIRE
MODIFIED TRAILERS 066809 TM 5 6115 630 14 MEP 104A PRECISE 50 60 HERTZ 6115 00 118 1247 MEP 114A PRECISE
400 HERTZ 6115 00 118 INCLUDING AUXILIARY EQUIPMENT MEP 005AWF WINTERIZATION KIT FUE BURNING 6115 00
463 9083 MEP 005AWE WINTERIZATION KIT ELEC 6115 00 067310 TM 9 6115 650 14 DOD MODEL MEP 104A 6115 00
118 1245 DOD MODEL MEP 113A 6115 00 118 1244 069954 TM 9 6115 465 24P 2 GENERATOR SET DIESEL ENGINE
DRIVE TACTICAL SKID MTD 30KW 3 PHASE 4 WIRE 120 208 AND 240 416 V MODELS MEP 005A UTILITY 50 60 HZ NSN
6115 00 118 1240 MEP 104A PRECISE 50 60 HZ 6115 00 118 1247 MEP 114A PRECISE 400 H 6115 00 118 1248
INCLUDING OPTIONAL KITS DOD MODELS MEP 00 WINTERIZATION KIT FUEL BURNING 6115 00 463 9083 MEP 005
AW WINTERIZATION KIT ELECTRIC 6115 00 463 9085 MEP 002 ALM L BANK KIT 6115 00 463 9088 MEP 005 AWM
WHEEL MOUNTING KIT 6115 00 463 9094 TO 35C2 3 070096 TM 9 6115 464 24P 1 GENERATOR S DIESEL ENGINE
DRIVEN TACTICAL SKID MTD 15KW 3 PHASE 4 WIRE 120 208 AND 240 416 VOLTS DOD MODEL MEP 004A UTILITY
CLASS 50 60 HERTZ NSN 6115 00 118 1241 DOD MODEL MEP 103A PRECISE CLASS 50 60 HERTZ 6115 00 118 1245
DOD MODEL MEP 113A PRECI CLASS 400 HERTZ 6115 00 118 1244 INCLUDING OPTIONAL KITS DOD MODEL MEP 005
AWF WINTERIZATION KIT FUEL BURNING 6115 00 463 DOD MODEL MEP 005 AWE WINTERIZATION KIT ELECTRIC
6615 00 46 DOD MODEL MEP 004 ALM LOAD BANK KIT 6115 00 191 9201 071025 TM 9 6115 641 10 2 GENERATOR SET
SKID MOUNTED TACTICAL QUIET 5 KW 60 AND 400 HZ MEP 802A 60 HZ NSN 6115 01 274 7387 MEP 812A 400 HZ 6115
01 274 7391 TO 35C2 3 456 11 071026 TM 9 6115 642 10 2 GENERATOR SET SKID MOUNTED TACTICAL QUIE 10 KW 60
AND 400 HZ MEP 803A 60 HZ NSN 6115 01 275 5061 MEP 813A 400 HZ 6115 01 274 7392 TO 35C2 3 455 11 TM 09247A
09248A 10 1 071028 TM 9 6115 643 10 3 GENERATOR SET SKID MOUNTED TACTICAL QUI 15 KW 50 60 AND 400 HZ

MEP 804A 50 60 HZ NSN 6115 01 274 73 MEP 814A 400 HZ 6115 01 274 7393 TO 35C2 3 445 21 071029 TM 9 6115 644 10
2 GENERATOR SET SKID MOUNTED TACTICAL QUIET 30 KW 50 60 AND 400 HZ MEP 805A 50 60 HZ NSN 6115 01 274
7389 MEP 815A 400 HZ 6115 01 274 7394 TO 35C2 3 446 11 TM 09249A 09246A 10 1 071030 TM 9 6115 645 10 2
GENERATOR SET SKID MOUNTED TACTICAL QUIET 60 KW 50 60 AND 400 HZ MEP 806A 50 60 HZ NSN 6115 01 274
7390 MEP 816A 400 HZ 6115 01 274 7395 TO 35C2 3 444 11 TM 09244A 09245A 10 1 071031 LO 9 6115 641 12
GENERATOR SET SKID MOUNTED TACTICAL QUIET 5 KW 60 AND 400 HZ MEP 802A TACTICAL QUIET 60 HZ NSN 6115
01 274 7387 MEP 812A TACTICAL QUIET 400 HZ 6115 01 274 7391 071032 LO 9 6115 642 12 GENERATOR SET SKID
MOUNTED TACTICAL QUIET 10 KW 60 AND 400 HZ MEP 803A TACTICAL QUIET 60 HZ NSN 6115 01 275 5061 MEP 813A
TACTICAL QUIET 400 HZ 6115 01 274 7392 071033 LO 9 6115 643 12 GENERATOR SET SKID MOUNTED TACTICAL
QUIET 15 KW 50 60 400 HZ MEP 804A TACTICAL QUIET 50 60 HZ NSN 6115 01 274 7388 MEP 814 TACTICAL QUIET 400
HZ 6115 01 274 7393 071034 LO 9 6115 644 12 GENERATOR SET SKID MOUNTED TACTICAL QUIET 30 KW 50 60 AND 40
MEP 805A TACTICAL QUIET 50 60 HZ NSN 6115 01 274 7389 MEP 815 TACTICAL QUIET 400 HZ 6115 01 274 7394 LI
09249A 09246A 12 071035 LO 9 6115 645 12 GENERATOR SET SKID MOUNTED TACTICAL QUIET 60 KW 50 60 AND 40
MEP 806A TACTICAL QUIET 50 60 HZ NSN 6115 01 274 7390 MEP 816 TACTICAL QUIET 400 HZ 6115 01 274 7395 LI
09244A 09245A 12 071036 TB 9 6115 641 24 WARRANTY PROGRAM FOR GENERATOR SET TACTICAL QUIET 5 KW 60
AND 400 HZ MEP 802A AND MEP 812A 071037 TB 9 6115 642 24 WARRANTY PROGRAM FOR GENERATOR SET
TACTICAL QUIET 10 KW 60 AND 400 HZ MEP 803A AND MEP 813A SI 09247A 09248A 24 071038 TB 9 6115 643 24
WARRANTY PROGRAM FOR GENERATOR SET TACTICAL QUIET 15 KW 50 60 AND 400 HZ MEP 804A AND MEP 814A
071039 TB 9 6115 644 24 WARRANTY PROGRAM FOR GENERATOR SET TACTICAL QUIET 30 KW 50 60 AND 400 HZ MEP
805A AND MEP 815A SI 09249A 09246A 24 071040 TB 9 6115 645 24 WARRANTY PROGRAM FOR GENERATOR SET
TACTICAL QUIET 60 KW 50 60 AND 400 HZ MEP 806A AND MEP 816A SI 09244A 09245A 24 071541 TM 9 6115 464 12 2
GENERATOR SET DIESEL ENGINE DRIVEN TACTICAL SKID MTD 15 KW 3 PHASE 4 WIRE 120 2 AND 240 416 VOLTS DOD
MODEL MED 004A UTILITY CLASS 50 60 HERTZ NSN 6115 00 118 1241 DOD MODEL MEP 103A PRECISE CLASS 50 60
HERTZ 6115 00 118 1245 DOD MODEL MEP 113A PRECISE CLASS 400 HERTZ 6115 00 118 1244 INCLUDING OPTIONAL
KITS DOD MODEL MEP 005 AWF WINTERIZATION KIT FUEL BURNING 6115 00 463 9083 DOD MODEL MEP 005 AWE
WINTERIZATION KIT ELECTRIC 6115 00 463 9085 DOD MODEL MEP 004 ALM LOAD BANK KIT 6115 00 291 071604 TM 9
6115 645 24P GENERATOR SET TACTICAL QUIET 60KW 50 60 400 HZ NSN 6115 01 274 7390 MEP 806A 6115 01 274
7395 MEP 816A TO 35C2 3 444 14 TM 09244A 09245A 24P 3 071605 TM 9 6115 642 24P GENERATOR SET TACTICAL
QUIET 10 KW 60 400 HZ NSN 6115 01 275 5061 MEP 803A 6115 01 274 7392 MEP 813A TO 35C2 3 455 14 TM 09247A
09248A 24P 3 071610 TM 9 6115 643 24P GENERATOR SET TACTICAL QUIET 15KW 50 60 400 HZ NSN 6115 01 274 7388

MEP 804A 6115 01 274 7393 MEP 814A TO 35C2 3 445 24 071611 TM 9 6115 644 24P GENERATOR SET TACTICAL QUIET 30KW 50 60 400 HZ NSN 6115 01 274 7389 MEP 805A 6115 01 274 7394 MEP 815A TO 35C2 3 446 14 TM 09249A 09246A 24P 3 071613 TM 9 6115 641 24P GENERATOR SET TACTICAL QUIET 5 KW 60 400 HZ NSN 6115 01 274 7387 MEP 802A 6115 01 274 7391 MEP 812A TO 35C2 3 456 14 071713 TM 9 6115 645 24 4 GENERATOR SET SKID MOUNTED TACTICAL QUIET 60KW 50 60 AND 400 HZ MEP 806A 50 60 HZ NSN 6115 01 274 7390 MEP 816A 400 HZ 6115 01 274 7395 TO 35C2 3 444 12 TM 09244A 09245A 24 2 071748 TM 9 6115 644 24 1 GENERATOR SET SKID MOUNTED TACTICAL QUIET 30 KW 50 60 AND 400 HZ MEP 805A 50 60 HZ NSN 6115 01 274 7389 MEP 815A 400 HZ 6115 01 274 7394 TO 35C2 3 446 12 TM 09249A 09246A 24 2 071749 TM 9 6115 643 24 4 GENERATOR SET SKID MOUNTED TACTICAL QUIET 15 KW 50 60 AND 400 HZ MEP 804A 50 60 HZ NSN 6115 01 274 7388 MEP 814A 400 HZ 6115 01 274 7393 TO 35C2 3 445 22 071750 TM 9 6115 642 24 4 GENERATOR SET SKID MOUNTED TACTICAL QUIET 10 KW 60 AND 400 HZ MEP 803A 60 HZ NSN 6115 01 275 5061 MEP 813A 400 HZ 6115 01 274 7392 TO 35C2 3 455 12 TM 09247A 09248A 24 2 071751 TM 9 6115 641 24 3 GENERATOR SET SKID MOUNTED TACTICAL QUIET 5 KW 60 AND 400 HZ MEP 802A 60 HZ NSN 6115 01 274 7387 MEP 812A 400 HZ 6115 01 274 7391 TO 35C2 3 456 12 072239 TM 9 6115 464 34 1 GENERATOR SET DIESEL ENGINE DRIVEN TACTICAL SKID MTD 15 KW 3 PHASE 4 WIRE 120 208 AND 240 416 VOLTS DOD MODEL MEP 004A UTILITY CLASS 50 60 HERTZ NSN 6115 00 118 1241 DOD MODEL MEP 103A PRECISE CLASS 50 60 HERTZ 6115 00 118 1245 DOD MODEL MEP 113A PRECISE CLASS 400 HERTZ 6115 00 118 1244 INCLUDING OPTIONAL KITS DOD MODEL MEP 005AWF WINTERIZATION KIT FUEL BURNING 6115 00 463 9083 DOD MODEL MEP 005AWE WINTERIZAT KIT ELECTRIC 6115 00 463 9085 DOD MODEL MEP 004ALM LOAD BANK KIT 6115 00 291 920 073744 TM 9 6115 604 24P 1 GENERATOR SET DIESEL ENGINE DRIVEN AIR TRANSPORTABLE SKID MOUNTED 750KW 3 PHASE 4 WIRE 2400 4160 AND 2200 3800 VOLTS DOD MODEL MEP208A PRIME UTILITY CLASS 50 60 HERTS NSN 6115 00 450 5881 DOD MODEL 80 1466 REMOTE CONTROL MODULE CLASS 6115 01 150 5284 DOD MODEL 80 7320 SITE REQUIREMENTS MODULE CLASS 6115 01 150 5 NAVFAC P 8 633 24P 074040 TM 9 6115 545 24P GENERATOR SET DIESEL ENGINE DRIVEN TAC SKID MTD 60 KW 3 PHASE 4 WIRE 120 208 AND 240 416 VOLTS D MODELS MEP 006A UTILITY CLASS 50 60 H Z NSN 6115 00 118 124 MEP 105A PRECISE CLASS 50 60 H Z 6115 00 118 1252 MEP 115 PRECISE CLASS 400 H Z 6115 00 118 1253 INCLUDING OPTIONAL K DOD MODELS MEP 006AWF WINTERIZATION FUEL BURNING 6115 00 407 MEP 006AWE WINTERIZATION KIT ELECTRIC 6115 00 455 7693 ME LOAD BANK KIT 6115 00 407 8322 AND MEP 006AWM WHEEL MOUNTI 6115 00 463 9092 TO 074212 TM 9 6115 604 12 GENERATOR SET DIESEL DRIVEN AIR TRANSPORTABLE SKID MTD 750 KW 3 PHASE 4 WIRE 24 AND 2200 3800 V DOD MODEL MEP 208A CLASS PRIME UTILITY HZ 50 NSN 6115 00 450 5881 NAVFAC P 8 633 12 074896 TM 9 6115 604 34 GENERATOR SET DIESEL ENGINE DRIVEN AIR TRANSPORTABLE SKID MTD 750 KW 3 PHASE 4 WIRE 2400 4160 AND 2200 3800 VOLTS DOD MODEL MEP 208A PRIME

UTILITY CLASS 50 60 HERTZ NSN 6115 00 450 5881 NAVFAC P 8 633 34 075027 TM 9 6115 584 24P 1 GENERATOR SET DIESEL E DRIVEN TACTICAL SKID MTD 5 KW 1 PHASE 2 WIRE 1 PHASE 3 WIR 3 PHASE 4 WIRE 120 120 240 AND 120 208 VOLTS DOD MODEL MEP UTILITY CLASS 60 HZ NSN 6115 00 465 1044 NAVFAC P 8 622 24P TO 35C2 3 456 4 077581 TM 9 6115 673 13 P 2KW MILITARY TACTICAL GENERATOR SET 120 VAC 60 HZ NSN 6115 01 435 1565 MEP 531A EIC LKA NSN 6115 21 912 0393 MECHRON 28 VDC NSN 6115 01 435 1567 MEP 501A EIC LKD NSN 6115 21 912 0392 MECHRON 078167 TM 9 6115 672 14 GENERATOR SET SKID MOUNTED TACTICAL QUIET 60KW 50 60 AND 400 HZ MEP 806B 50 60 HZ NSN 6115 01 462 0291 EIC GGW MEP 816B 400 HZ NSN 6115 01 462 0292 EIC GGX 078443 TM 9 6115 639 13 1 3KW TACTICAL QUIET GENERATOR SET MEP 831A 60 HZ NSN 6115 01 285 3012 EIC VG6 MEP 832A 400 HZ NSN 6115 01 287 2431 EIC VN7 078490 TM 9 6115 671 14 OPERATOR UNIT GENERATOR SET SKID MOUNTED TACTICAL QUIET 30 KW 50 60 AND 400 HZ MEP 805B 50 60 HZ NSN 6115 01 461 9335 EIC GGU MEP 815B 400 HZ 6115 01 462 0290 EIC GGV 078503 TM 9 6115 671 24P GENERATOR SET SKID MOUNTED TACTICAL QUIET 30 KW 50 60 AND 400 HZ MEP 805B 50 60 HZ NSN 6115 01 461 9335 EIC GGU MEP 815B 400 HZ NSN 6115 01 462 0290 EIC GGV 078504 TM 9 6115 672 24P GENERATOR SET SKID MOUNTED TACTICAL QUIET 60 KW 50 60 AND 400 HZ MEP 806B 50 60 HZ NSN 6115 01 462 0291 EIC GGW MEP 816B 400 HZ NSN 6115 01 462 0292 EIC GGX 078505 TB 9 6115 671 24 WARRANTY PROGRAM FOR GENERATOR SET TACTICAL QUIET 30KW 50 60 AND 400 HZ MEP 805B AND MEP 815B PROCURED UNDER CONTRACT DAAK01 96 D 00620WITH MCII INC 078506 TB 9 6115 672 24 WARRANTY PROGRAM FOR GENERATOR SET TACTICAL QUIET 30KW 50 60 AND 400 HZ MEP 806B AND MEP 816B PROCURED UNDER CONTRACT DAAK01 96 D 00620WITH MCII INC 078523 TM 9 6115 664 13 P 5KW 28VDC AUXILIARY POWER UNIT APU MEP 952B NSN 6115 01 452 6513 EIC N A 078878 TM 9 6115 639 23P 3KW TACTICAL QUIET GENERATOR SET MEP 831A 60 HZ NSN 6115 01 285 3012 EIC VG6 MEP 832A 400 HZ NSN 6115 01 287 2431 EIC VN7 079379 TB 9 6115 641 13 WINTERIZATION KIT NSN 6115 01 476 8973 INSTALLED ON GENERATOR SET SKID MOUNTED TACTICAL QUIET 5KW 60 AND 400 HZ MEP 802A 600HZ 6115 01 274 7387 MEP 812A 400HZ 6115 01 274 7391 079460 TB 9 6115 642 13 WINTERIZATION KIT NSN 6115 01 477 0564 EIC N A INSTALLED ON GENERATOR KIT SKID MOUNTED TACTICAL QUIET 10KW 60 AND 400 HZ MEP 803A 60HZ 6115 01 275 0561 MEP 813A 400HZ 6115 01 274 7392 079461 TB 9 6115 643 13 WINTERIZATION KIT NSN 6115 477 0566 INSTALLED ON GENERATOR SET SKID MOUNTED TACTICAL QUIET 15KW 50 60 AND 400 HZ MEP 804A 50 60HZ 6115 01 274 7388 MEP 814A 400HZ 6115 01 274 7393 079462 TB 9 6115 644 13 WINTERIZATION KIT NSN 6115 01 474 8354 EIC N A INSTALLED ON GENERATOR SET SKID MOUNTED 30KW 50 60 AND 400 HZ MEP 805A 50 60HZ NSN 6115 01 274 7389 MEP 815A 400HZ NSN 611501 274 7394 079463 TB 9 6115 645 13 WINTERIZATION KIT NSN 6115 01 474 8344 EIC N A INSTALLED ON GENERATOR SET SKID MOUNTED TACTICAL QUIET 60KW 50 60 AND 400 HZ MEP 806A 50 60HZ 6115 01 274 7390 MEP 816A 400HZ 6115 01 274 7395 080214 TM 9

6115 670 14 P AUXILIARY POWER UNIT 20KW 120 240 VAC 60 HZ MODEL NO MEP 903A SICPS NSN 6115 01 431 3062
MODEL NUMBER MEP 903B JTACS NSN 6115 01 431 3063 MODEL NO MEP 903C9WIN T NSN 6115 01 458 5329 EIC N A
MotorBoating ,1990-02 Cruising World ,1991-06 *Yanmar Marine Diesel Engine 3YM30/3YM20/2YM15 N*
N,2012-05 Complete Service Handbook and Workshop Manual for the Yanmar Marine Diesel Engines 3YM30 3YM20 and
2YM15 **Cruising World** ,1991-09 *Yanmar Marine Engines Sy Series - 6sy-Stp2/6sy655/8sy-Stp* Yanmar,2013-06
Complete Service Handbook for the Yanmar Marine Diesel Engines 6SY STP2 6SY655 and 8SY STP *Cruising World*
,1993-01 *Yanmar Marine Diesel Engine 1SM/2SM/3SM N N*,2012-05 Complete Service Handbook and Workshop Manual
for the Yanmar Marine Diesel Engines 1SM 2SM amd 3SM *How Boat Things Work* Charlie Wing,2007-06-05 Anyone who
contemplates any onboard do it yourself work should have this book at his or her elbow Cruising World This book reduces a
boat to its most rudimentary parts in simple drawings and clear explanations Fascinating to read it s a perfect teaching tool
Ocean Navigator Whether you re a new mariner or a lifetime veteran How Boat Things Work is a resource you can t afford to
be without With intricate two color cutaway drawings of eighty different systems and devices as well as detailed explanations
of how they re assembled how they work and how they can go wrong this book covers every primary component of your boat
s inner workings This guided tour under the hood of your sailboat or powerboat includes Engines transmissions bearings
stuffing boxes propellers Steering systems autopilots windvanes compasses Rigging splicing line handling block and tackle
sail controls Anchors and windlasses DC and AC electrical systems Pumps toilets seacocks freshwater systems

pons auf einen blick deklination latein - May 18 2023

web leichtes lernen aufklappen und bescheid wissen die kompakte Übersicht zu allem was man über die deklination in latein
wissen muss auf einen blick parat deklinationsmuster lernen ohne lange in einem grammatikbuch an verschiedenen stellen
suchen zu müssen

latein deutsch englisch Übersetzung pons - Sep 10 2022

web ich selbst habe spanisch in mehreren schritten gelernt zunächst online auf reisen mit südamerikanischen freunden und
in einer sprachschule siehe video nach deutsch und englisch zähle ich die sprache heute zu meiner 3 stärksten in der schule
habe ich zudem latein und in der uni französisch gelernt

pons latein deutsch Übersetzung pons - Jan 14 2023

web Übersetzung latein deutsch für pons im pons online wörterbuch nachschlagen gratis vokabeltrainer verbtabellen
aussprachefunktion

einen blick auf etw werfen deutsch englisch Übersetzung pons - Mar 04 2022

web to get an eyeful of sth ugs einen verstolenen blick auf etw akk werfen to flick over sth page report einen flüchtigen

blick auf etw akk werfen to throw a glance or look at sb sth einen blick auf jdn etw werfen to have or take a peep at sth auf etw akk einen kurzen blick werfen

pons grammatik auf einen blick latein - Oct 23 2023

web in den warenkorb die ganze lateinische grammatik auf einen blick alle wichtigen grammatischen themen auf einen blick zum schnellen nachschlagen und lernen neu alle wichtigen grammatischen fachbegriffe mit definitionen und beispielen zum herunterladen und ausdrucken

pons grammatik auf einen blick latein pons auf ei pdf - Jun 07 2022

web pons grammatik auf einen blick latein pons auf ei pindars erste istsmische ode an die vaterstadt mit einem vorworte uber pons grammatik auf einen blick may 15 2023 zur wirkung des lateinunterrichts jan 19 2021 as fach latein gerät wie kaum ein anderes im fächerkanon des gymnasiums immer wieder unter starken legitimationsdruck

pons grammatik latein auf einen blick pons auf ei pdf - Oct 11 2022

web pons grammatik latein auf einen blick pons auf ei arbeitsblätter zur grundlagengrammatik latein oct 30 2021 grundlagen der grammatik vertiefen im lateinunterricht stehen sie immer wieder vor dem gleichen problem die grundlagen der grammatik sitzen nicht oder nicht ausreichend dies

pons grammatik latein auf einen blick pons auf ei book - Jun 19 2023

web pons grammatik latein auf einen blick pons auf ei the genealogy of morals bilingual english german edition jul 23 2022 a new 2023 translation into american english from the original manuscript of nietzsche s 1887 zur genealogie der moral or on the genealogy of morals this edition is bilingual the original text is

pons grammatik auf einen blick latein pons auf einen blick - Apr 17 2023

web pons grammatik auf einen blick latein pons auf einen blick isbn 9783125619074 kostenloser versand für alle bücher mit versand und verkauf duch amazon

pons grammatik latein auf einen blick pons auf ei pdf - Apr 05 2022

web pons grammatik latein auf einen blick pons auf ei brehm s tierleben die säugetiere 1890 91 sep 22 2021 pons verben auf einen blick deutsch may 31 2022 hungarian studies feb 25 2022 fitness feb 13 2021 terminplaner von jan dez 2020 die ganze woche auf einen blick wochenübersichten mit 1 woche

pons Übersetzungen die nummer 1 für latein deutsch - Jul 20 2023

web pons apps pons Übersetzer alles in einer app latein deutsch wörterbuch und textübersetzung vereint ob getippt gesprochen oder abfotografiert übersetze fotos bilder oder gesprochenen und geschriebenen text schnell und zuverlässig mit der app für android und ios

pons auf einen blick reiheninformationen und werke beck - Dec 13 2022

web pons redewendungen spanisch auf einen blick die 150 wichtigsten redewendungen mit Übersetzung und beispielen für authentisches spanisch ausbildung2019buchpons langenscheidt gmbhisbn 978 3 12 562147 3 5 00

pons schau nach blick durch schulgrammatik latein - Feb 15 2023

web schulgrammatik latein sprachen lernen latein weitere sprachen schulfächer pons schau nach blick durch schulgrammatik latein alle wichtigen grammatikregeln nachschlagen buch format 15 0 x 21 0 cm isbn 978 3 12 561395 9
informationen für lehrer innen und referendar innen 11 95

pdf pons grammatik latein auf einen blick pons auf ei - Nov 12 2022

web pons grammatik latein auf einen blick pons auf ei dudens schulgrammatik extra latein mar 15 2021 lektürephase latein 10 minuten training grammatik jul 07 2020 jahrelang haben sie mit ihren schülern die verschiedenen grammatikalischen regeln und phänomene eingeübt nun befinden sie sich in der lektürephase und

pons grammatik auf einen blick latein - Sep 22 2023

web die ganze lateinische grammatik auf einen blick alle wichtigen grammatischen themen auf einen blick zum schnellen nachschlagen und lernen neu alle wichtigen grammatischen fachbegriffe mit definitionen und beispielen zum herunterladen und ausdrucken aus strapazierfähigem abwischbarem material mit seitlicher lochung zum

pons grammatik auf einen blick latein pons auf ei - Aug 09 2022

web pons grammatik auf einen blick latein pons auf ei das juristenlatein versuch einer charakteristik auf grundlage der digesten feb 24 2021 allgemeine schulzeitung jun 18 2020 pons verben auf einen blick latein may 22 2023 versuch einer theorie des religiösen wahnsinns apr 09 2022 e book paket 1 fachdidaktik latein dec 05 2021

pons grammatik auf einen blick latein pons auf einen blick - Jul 08 2022

web nov 22 2023 isbn 13 978 3 12 561297 6 verlag ernst klett verlag herstellungsland deutschland erscheinungsjahr oktober 2006 auflage vierte auflage format 23 4 x 29 6 x 0 6 cm seitenanzahl 6 gewicht 100 gr sprache deutsch lateinisch ei deutsch latein Übersetzung pons - Aug 21 2023

web Übersetzung deutsch latein für ei im pons online wörterbuch nachschlagen gratis vokabeltrainer verbtabelle
aussprachefunktion

pons grammatik auf einen blick latein thalia - Mar 16 2023

web die ganze lateinische grammatik auf einen blick alle wichtigen grammatischen themen auf einen blick zum schnellen nachschlagen und lernen neu alle wichtigen grammatischen fachbegriffe mit definitionen und beispielen zum herunterladen und ausdrucken aus strapazierfähigem abwischbarem material mit seitlicher lochung zum

pons grammatik latein auf einen blick pons auf ei 2022 - May 06 2022

web as this pons grammatik latein auf einen blick pons auf ei it ends taking place beast one of the favored books pons

grammatik latein auf einen blick pons auf ei collections that we have this is why you remain in the best website to look the unbelievable ebook to have pons pocket schulgrammatik latein schülerwörterbuch latein lateinische

die revolution geht weiter wikipedia - Apr 05 2022

web das bündnis die revolution geht weiter arabisch □□□□□□ □□□□□□ □□□□□□ dmg taḥāluf at taura mustamirra alternativ als bündnis zur fortsetzung der revolution oder block die revolution dauert an übersetzt war ein mitte links ausgerichtetes vorwiegend säkulares bündnis in Ägypten prägende ideologische einflüsse des bündnisses kamen aus dem *weltgeschichte band 8 aufklärung und revolution e pdf* - Nov 12 2022

web weltgeschichte band 8 aufklärung und revolution e 1 weltgeschichte band 8 aufklärung und revolution e archiv für post und telegraph grundrizz zur geschichte der deutschen dichtung aus den quellen bd zeit des weltkrieges die wende von der aufklärung zur romantik 1760 1820 philosophie wissenschaft aufklärung deutsches *weltgeschichte band 8 aufklärung und revolution europa im 17 und* - Dec 13 2022

web weltgeschichte band 8 aufklärung und revolution europa may 16th 2020 weltgeschichte band 8 aufklärung und revolution europa im 17 und 18 jahrhundert heinrich pleticha isbn 9783570096581 kostenloser versand für alle bücher mit versand und verkauf duch revolution

weltgeschichte band 8 aufklärung und revolution amazon de - Feb 15 2023

web weltgeschichte band 8 aufklärung und revolution isbn kostenloser versand für alle bücher mit versand und verkauf duch amazon

weltgeschichte band 8 aufklärung und revolution europa im 17 und - Jan 14 2023

web jun 27 2023 weltgeschichte band 8 aufklärung und revolution europa im 17 und 18 jahrhundert by heinrich pleticha organisierten zentralstaat hin zur suche nach einer durch die menschenrechte und fundierte erkenntnis bestimmten gemeinschaft mündiger bürger

weltgeschichte band 8 aufklärung und revolution europa im 17 und - Sep 10 2022

web und noch mehr weltgeschichte weltgeschichte band 8 aufklärung und revolution europa die ddr als asylland fluchtlinge aus chile 1973 1989 die erzählung der aufklärung studien zum 18 jahrhundert untersuchungen zur deutschen literaturgeschichte andre 9 3 1 18iet donnu edu ua

lerninhalte geschichte klasse 8 mpr wuppertal de - Jul 08 2022

web lerninhalte geschichte klasse 8 1 vom sonnenkönig zu einheit gleichheit brüderlichkeit ludwig xiv die säulen der absolutistischen macht das zeitalter der aufklärung neue politische ideen die revolution und ihre folgen 2 amerika der traum von einer neuen freien welt die geburt eines neuen staates

weltgeschichte band 8 aufklärung und revolution europa im 17 und - Jul 20 2023

web weltgeschichte band 8 aufklärung und revolution europa im 17 und 18 jahrhundert amazon com tr kitap

weltgeschichte band 8 aufklärung und revolution europa im 17 und - Mar 04 2022

web weltgeschichte band 8 aufklärung und revolution europa im 17 und 18 jahrhundert by heinrich pleticha die eurokrise ursachen und pdf the aufklärung s human discipline

weltgeschichte band 8 aufklärung und revolution e uniport edu - Jun 07 2022

web apr 25 2023 weltgeschichte band 8 aufklärung und revolution e 2 7 downloaded from uniport edu ng on april 25 2023

by guest war in the age of enlightenment 1700 1789 armstrong starkey 2003 war in the 18th century war was a complex operation including popular as well as conventional conflict between europeans and with non europeans

weltgeschichte band 8 aufklärung und revolution europa im 17 und - Jun 19 2023

web weltgeschichte band 8 aufklärung und revolution europa im 17 und 18 jahrhundert by heinrich pleticha dtv atlas

weltgeschichte dtv atlas dtv deutscher aufwachen durch aufklärung art 5 gg seite 20

weltgeschichte band 8 aufklärung und revolution europa im 17 und - Jan 02 2022

web weltgeschichte band 8 aufklärung und revolution europa im 17 und 18 jahrhundert by heinrich pleticha renaissance und frühe neuzeit entstehung des modernen may 20th 2020 als beginn der aufklärung werden für england frankreich und deutschland drei ereignisse

weltgeschichte band 8 aufklärung und revolution europa im 17 und - Feb 03 2022

web weltgeschichte band 8 aufklärung und revolution europa im 17 und 18 jahrhundert by heinrich pleticha bürger von ludwig xiv bis napoleon vom bis hin zum spannt sich der politische bogen geblieben aber sind vor allem die ideen eines descartes rousseau diderot kant die kunst eines michelangelo und

gym geschichte kl8 klett - Oct 11 2022

web jahresplan für geschichte gymnasium klasse 8 mit geschichte und geschehen obligatorische daten und begriffe sind gelb unterlegt geschichte und geschehen b3 bildungsstandards klasse 8 2 entwicklung des neuzeitlichen europa auf dem weg zur demokratie england und usa fakultativ auseinandersetzung mit der eigenen wie mit

weltgeschichte band 8 aufklärung und revolution europa im 17 und - May 18 2023

web weltgeschichte band 8 aufklärung und revolution europa im 17 und 18 jahrhundert by heinrich pleticha renaissance und frühe neuzeit entstehung des modernen may 20th 2020 als beginn der aufklärung werden für england

weltgeschichte band 8 aufklärung und revolution europa im 17 und - Mar 16 2023

web weltgeschichte band 8 aufklärung und revolution europa im 17 und 18 jahrhundert by heinrich pleticha untersuchungen zur deutschen literaturgeschichte andre gesellschaft für kritische philosophie aufklärung und kritik full text

weltgeschichte band 8 aufklärung und revolution e ftp bonide - Apr 17 2023

web weltgeschichte band 8 aufklärung und revolution e grundriss zur geschichte der deutschen dichtung aus den quellen bd vom siebenjährigen bis zum weltkriege die wende von der aufklärung zur romantik 1760 1820 vom siebenjährigen bis zum weltkriege geschichte des österreichischen generalstabes essays on wittgenstein and

rockband vol 8 album by the revolution spotify - May 06 2022

web listen to rockband vol 8 on spotify the revolution album 1983 17 songs

weltgeschichte band 8 aufklärung und revolution e - Aug 21 2023

web weltgeschichte band 8 aufklärung und revolution e from reich to state jul 29 2021 napoleon s contribution to germany s development was immense under his hegemony the millennium old holy roman empire dissolved paving the way for a new order nowhere was the transformation more profound than in the rhineland

radio geschichte teil 11 weltron 8 spur youtube - Aug 09 2022

web mar 19 2023 about press copyright contact us creators advertise developers terms privacy policy safety how youtube works test new features press copyright contact us creators

preventing hospital infections real world problems realistic - Jul 03 2023

web preventing hospital infections real world problems realistic solutions jennifer meddings sanjay saint vineet chopra oxford university press 2021 medical 272

a new strategy to combat hospital infections preventing - Dec 16 2021

preventing hospital infections real world problems realistic - Apr 19 2022

web nov 3 2023 critics slam updated infection control recommendations for hospitals friday nov 3 2023 healthday news advisors to the u s centers for disease

preventing hospital infections real world problems realistic - Jun 02 2023

web the first edition of preventing hospital infections led readers through a step by step description of a quality improvement intervention as it might unfold in a model hospital

preventing hospital infections real world problems - Aug 24 2022

web dec 1 2015 preventing hospital infections real world problems realistic solutions sanjay saint sarah l krein and robert w stock oxford

infection control prevention in hospitals cdc updated 2023 - Feb 15 2022

web preventing hospital infections leads readers through a step by step description of a quality improvement intervention as it might unfold in a model hospital pinpointing the

preventing hospital infections real world problems realistic - Jul 23 2022

web oct 1 2014 preventing hospital infections real world problems realistic solutions authors sanjay saint md mph sarah krein phd rn robert w stock edition reprint

critics slam updated infection control recommendations for - Mar 19 2022

web oct 5 2023 cdc refers to infection control measures as the actions aimed at preventing or stopping the spread of infections within a healthcare setting infection control and

preventing hospital infections real world problems realistic - Jan 29 2023

web oct 1 2014 preventing hospital infections leads readers through a step by step description of a quality improvement intervention as it might unfold in a model hospital

preventing hospital infections real world problems realistic - Feb 27 2023

web summary nearly 2 million americans develop a healthcare associated infection each year and some 100 000 of them die as a result such infections are highly preventable

index preventing hospital infections real world problems - Mar 31 2023

web index preventing hospital infections real world problems realistic solutions 1 edn new york 2014 online edn oxford academic 1 mar 2015 doi org accessed 1

infection prevention and control in hospitals verywell health - May 21 2022

web preventing hospital infections real world problems realistic solutions saint sanjay amazon com tr kitap

an effective strategy to combat hospital infections preventing - Sep 24 2022

web meddings jennifer vineet chopra and sanjay saint an effective strategy to combat hospital infections preventing hospital infections real world problems realistic

preventing hospital infections real world problems realistic - Oct 06 2023

web meddings jennifer vineet chopra and sanjay saint preventing hospital infections real world problems realistic solutions 2 edn 2021 online edn oxford academic 1 mar 2021 doi org 10 1093 med 9780197509159 001 0001 accessed 19 aug 2023

reducing the rate of central line associated bloodstream - Dec 28 2022

web oct 30 2023 there was a trend in the reduction of central line associated bloodstream infections by 18 that did not reach statistical significance p 0 252 improvement

preventing hospital infections real world problems realistic - Jan 17 2022

web saint sanjay a new strategy to combat hospital infections preventing hospital infections real world problems realistic solutions 1 edn new york 2014 online

keeping it real infection prevention and control problems and - Aug 04 2023

web keeping it real infection prevention and control problems a infection prevention challenges are ubiquitous in healthcare

but some are unique to or more prevalent

preventing hospital infections real world problems realistic - May 01 2023

web summary an effective strategy to combat hospital infections committing to an infection prevention initiative types of interventions caution types of interventions

preventing hospital infections real world problems - Jun 21 2022

web sep 14 2023 adequate handwashing with soap and water removes more than 90 of germs from the skin's surface antimicrobial soaps will further remove bacteria viruses

preventing hospital infections real world problems realistic - Sep 05 2023

web apr 1 2021 the intervention framework described in the book focuses on the prevention of hospital associated infections in particular catheter associated urinary tract

preventing hospital infections real world problems realistic - Oct 26 2022

web apr 20 2021 preventing hospital infections real world problems realistic solutions by jennifer meddings vineet chopra sanjay saint write a review paperback 2nd ed

preventing hospital infections real world problems realistic - Nov 26 2022

web a new strategy to combat hospital infections committing to an infection prevention initiative types of interventions building the team the importance of leadership

Recognizing the showing off ways to get this ebook **Yanmar Marine Engine Parts Manual** is additionally useful. You have remained in right site to start getting this info. get the Yanmar Marine Engine Parts Manual associate that we offer here and check out the link.

You could purchase lead Yanmar Marine Engine Parts Manual or acquire it as soon as feasible. You could quickly download this Yanmar Marine Engine Parts Manual after getting deal. So, in the manner of you require the books swiftly, you can straight acquire it. Its thus totally easy and fittingly fats, isnt it? You have to favor to in this impression

https://offsite.creighton.edu/files/virtual-library/Documents/is_there_another_book_after_verity.pdf

https://offsite.creighton.edu/files/virtual-library/Documents/is_cuban_food_spicy.pdf

https://offsite.creighton.edu/files/virtual-library/Documents/jeanine_pirro_book.pdf

Table of Contents Yanmar Marine Engine Parts Manual

1. Understanding the eBook Yanmar Marine Engine Parts Manual
 - The Rise of Digital Reading Yanmar Marine Engine Parts Manual
 - Advantages of eBooks Over Traditional Books
2. Identifying Yanmar Marine Engine Parts Manual
 - Exploring Different Genres
 - Considering Fiction vs. Non-Fiction
 - Determining Your Reading Goals
3. Choosing the Right eBook Platform
 - Popular eBook Platforms
 - Features to Look for in an Yanmar Marine Engine Parts Manual

- User-Friendly Interface
- 4. Exploring eBook Recommendations from Yanmar Marine Engine Parts Manual
 - Personalized Recommendations
 - Yanmar Marine Engine Parts Manual User Reviews and Ratings
 - Yanmar Marine Engine Parts Manual and Bestseller Lists
- 5. Accessing Yanmar Marine Engine Parts Manual Free and Paid eBooks
 - Yanmar Marine Engine Parts Manual Public Domain eBooks
 - Yanmar Marine Engine Parts Manual eBook Subscription Services
 - Yanmar Marine Engine Parts Manual Budget-Friendly Options
- 6. Navigating Yanmar Marine Engine Parts Manual eBook Formats
 - ePub, PDF, MOBI, and More
 - Yanmar Marine Engine Parts Manual Compatibility with Devices
 - Yanmar Marine Engine Parts Manual Enhanced eBook Features
- 7. Enhancing Your Reading Experience
 - Adjustable Fonts and Text Sizes of Yanmar Marine Engine Parts Manual
 - Highlighting and Note-Taking Yanmar Marine Engine Parts Manual
 - Interactive Elements Yanmar Marine Engine Parts Manual
- 8. Staying Engaged with Yanmar Marine Engine Parts Manual
 - Joining Online Reading Communities
 - Participating in Virtual Book Clubs
 - Following Authors and Publishers Yanmar Marine Engine Parts Manual
- 9. Balancing eBooks and Physical Books Yanmar Marine Engine Parts Manual
 - Benefits of a Digital Library
 - Creating a Diverse Reading Collection Yanmar Marine Engine Parts Manual
- 10. Overcoming Reading Challenges
 - Dealing with Digital Eye Strain
 - Minimizing Distractions
 - Managing Screen Time
- 11. Cultivating a Reading Routine Yanmar Marine Engine Parts Manual
 - Setting Reading Goals Yanmar Marine Engine Parts Manual

- Carving Out Dedicated Reading Time
- 12. Sourcing Reliable Information of Yanmar Marine Engine Parts Manual
 - Fact-Checking eBook Content of Yanmar Marine Engine Parts Manual
 - Distinguishing Credible Sources
- 13. Promoting Lifelong Learning
 - Utilizing eBooks for Skill Development
 - Exploring Educational eBooks
- 14. Embracing eBook Trends
 - Integration of Multimedia Elements
 - Interactive and Gamified eBooks

Yanmar Marine Engine Parts Manual Introduction

In today's digital age, the availability of Yanmar Marine Engine Parts Manual books and manuals for download has revolutionized the way we access information. Gone are the days of physically flipping through pages and carrying heavy textbooks or manuals. With just a few clicks, we can now access a wealth of knowledge from the comfort of our own homes or on the go. This article will explore the advantages of Yanmar Marine Engine Parts Manual books and manuals for download, along with some popular platforms that offer these resources. One of the significant advantages of Yanmar Marine Engine Parts Manual books and manuals for download is the cost-saving aspect. Traditional books and manuals can be costly, especially if you need to purchase several of them for educational or professional purposes. By accessing Yanmar Marine Engine Parts Manual versions, you eliminate the need to spend money on physical copies. This not only saves you money but also reduces the environmental impact associated with book production and transportation. Furthermore, Yanmar Marine Engine Parts Manual books and manuals for download are incredibly convenient. With just a computer or smartphone and an internet connection, you can access a vast library of resources on any subject imaginable. Whether you're a student looking for textbooks, a professional seeking industry-specific manuals, or someone interested in self-improvement, these digital resources provide an efficient and accessible means of acquiring knowledge. Moreover, PDF books and manuals offer a range of benefits compared to other digital formats. PDF files are designed to retain their formatting regardless of the device used to open them. This ensures that the content appears exactly as intended by the author, with no loss of formatting or missing graphics. Additionally, PDF files can be easily annotated, bookmarked, and searched for specific terms, making them highly practical for studying or referencing. When it comes to accessing Yanmar Marine Engine Parts Manual books and manuals, several platforms offer an extensive collection of resources. One such platform is Project Gutenberg, a nonprofit organization

that provides over 60,000 free eBooks. These books are primarily in the public domain, meaning they can be freely distributed and downloaded. Project Gutenberg offers a wide range of classic literature, making it an excellent resource for literature enthusiasts. Another popular platform for Yanmar Marine Engine Parts Manual books and manuals is Open Library. Open Library is an initiative of the Internet Archive, a non-profit organization dedicated to digitizing cultural artifacts and making them accessible to the public. Open Library hosts millions of books, including both public domain works and contemporary titles. It also allows users to borrow digital copies of certain books for a limited period, similar to a library lending system. Additionally, many universities and educational institutions have their own digital libraries that provide free access to PDF books and manuals. These libraries often offer academic texts, research papers, and technical manuals, making them invaluable resources for students and researchers. Some notable examples include MIT OpenCourseWare, which offers free access to course materials from the Massachusetts Institute of Technology, and the Digital Public Library of America, which provides a vast collection of digitized books and historical documents. In conclusion, Yanmar Marine Engine Parts Manual books and manuals for download have transformed the way we access information. They provide a cost-effective and convenient means of acquiring knowledge, offering the ability to access a vast library of resources at our fingertips. With platforms like Project Gutenberg, Open Library, and various digital libraries offered by educational institutions, we have access to an ever-expanding collection of books and manuals. Whether for educational, professional, or personal purposes, these digital resources serve as valuable tools for continuous learning and self-improvement. So why not take advantage of the vast world of Yanmar Marine Engine Parts Manual books and manuals for download and embark on your journey of knowledge?

FAQs About Yanmar Marine Engine Parts Manual Books

How do I know which eBook platform is the best for me? Finding the best eBook platform depends on your reading preferences and device compatibility. Research different platforms, read user reviews, and explore their features before making a choice. Are free eBooks of good quality? Yes, many reputable platforms offer high-quality free eBooks, including classics and public domain works. However, make sure to verify the source to ensure the eBook credibility. Can I read eBooks without an eReader? Absolutely! Most eBook platforms offer web-based readers or mobile apps that allow you to read eBooks on your computer, tablet, or smartphone. How do I avoid digital eye strain while reading eBooks? To prevent digital eye strain, take regular breaks, adjust the font size and background color, and ensure proper lighting while reading eBooks. What the advantage of interactive eBooks? Interactive eBooks incorporate multimedia elements, quizzes, and activities, enhancing the reader engagement and providing a more immersive learning experience. Yanmar Marine Engine Parts

Manual is one of the best book in our library for free trial. We provide copy of Yanmar Marine Engine Parts Manual in digital format, so the resources that you find are reliable. There are also many Ebooks of related with Yanmar Marine Engine Parts Manual. Where to download Yanmar Marine Engine Parts Manual online for free? Are you looking for Yanmar Marine Engine Parts Manual PDF? This is definitely going to save you time and cash in something you should think about.

Find Yanmar Marine Engine Parts Manual :

is there another book after verity

is cuban food spicy

jeanine pirro book

jeff reich seventh day adventist

is czech easy to learn

james dashner book

isee upper level math practice test pdf

is meth easy to make

is there an online version of ross

jane doe no more

is orzo low fodmap

is peter really buried at the vatican

jackie robinson most important life achievements

is tessa hobbs a real author

it is well piano chords

Yanmar Marine Engine Parts Manual :