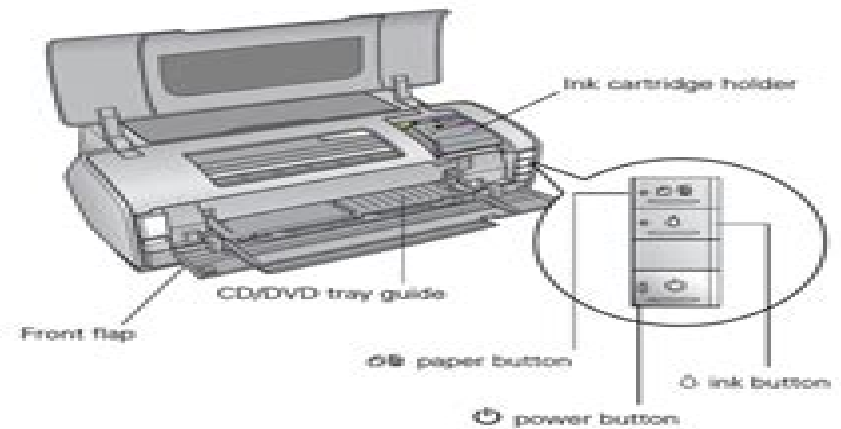
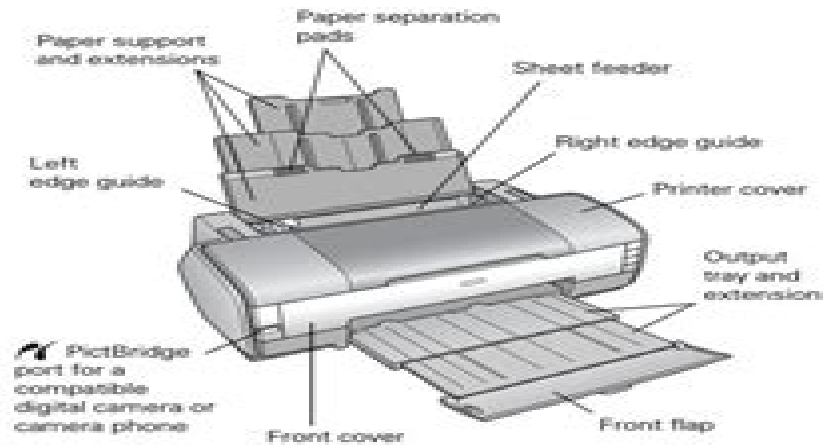


## Printer Parts



## Accessories

You can purchase genuine Epson ink and paper from an Epson authorized reseller. To find the nearest reseller, call 800-GO-EPSON (800-463-7766). Or you can purchase online at [www.epsonstore.com](http://www.epsonstore.com) (U.S. sales) or [www.epson.ca](http://www.epson.ca) (Canadian sales).

## Ink Cartridges

Use these Epson ink cartridges within six months of installing them and before the expiration date on the package.

Ink cartridge	Part number
Black	79 (T079120)
Cyan	79 (T079220)
Magenta	79 (T079320)
Yellow	79 (T079420)
Light Cyan	79 (T079520)
Light Magenta	79 (T079620)

**Caution:** To ensure the best results, use genuine Epson ink cartridges and do not refill them. Other products may cause damage to your printer not covered by Epson's warranty.

# **Epson Stylus Photo 1400 Inkjet Printer Manual**

**George Schaub**



# Epson Stylus Photo 1400 Inkjet Printer Manual

**British Journal of Photography** ,2009     Digital Negatives with QuadToneRIP Ron Reeder,Christina Z Anderson,2020-10-29 Digital Negatives with QuadToneRIP is a text that fully explores how the QuadToneRIP printer driver can be used to make expert digital negatives The book takes a comprehensive under the hood look at how Roy Harrington s QTR printer driver can be adapted for use by artists in several different creative practice areas The text is written from the Mac Photoshop point of view The book is divided into three parts Part One is a step by step how to section that will appeal to both beginning and more advanced practitioners Part One includes quickstart guides or summary sheets for beginning students who want to jump into using QTR before understanding all of its functional components Part Two addresses dimroom darkroom and printmaking practices walking the reader through brief workflows from negative to print for lithium palladium gum bichromate cyanotype salted paper kallitype silver gelatin and polymer photogravure with a sample profile for each It also includes an introduction to a new software iteration of QTR QuickCurve DN QCDN Part Three is devoted to contemporary practitioners who explain how they use QTR in their creative practice The book includes A list of supplies and software needed A summary QTR glossary with a simple explanation of how each function works A sample walk through to create a QTR profile from start to finish How to linearize profiles with simple to more exacting tools A visual guide to modifying functions Quickstart guides for many of the workflows Instructions for crafting monochrome duotone tricolor and quadcolor negatives Instructions for using QTR to print silver gelatin in the darkroom Instructions for using QTR to print alternative processes in the dimroom Instructions for using QTR to print polymer photogravure in the printmaking room Introductory chapter to QuickCurve DN software Troubleshooting common QTR problems Generic starter profiles for processes discussed Contemporary artists their work and QTR process Learning how to craft expert digital negatives can be a bit overwhelming at the outset Digital Negatives with QuadToneRIP makes the process as user friendly as possible Like other books in the series Digital Negatives with QuadToneRIP is thoroughly comprehensive accessible to different levels of learner and illustrative of the contemporary arts     **Travel & Leisure** ,2007-05     *STRUCTURED COMPUTER ORGANIZATION* ,1996     **How to Print T-shirts for Fun and Profit!** Scott Fresener,Pat Fresener,1994     **PC Magazine** ,2001     **301 Inkjet Tips and Techniques** Andrew Darlow,2007 *Typography*     *New Dimensions in Photo Processes* Laura Blacklow,2018-05-04 *New Dimensions in Photo Processes* invites artists in all visual media to discover contemporary approaches to historical techniques Painters printmakers and photographers alike will find value in this practical book as these processes require little to no knowledge of photography digital means or chemistry Easy to use in a studio or lab this edition highlights innovative work by internationally respected artists such as Robert Rauschenberg Chuck Close Mike and Doug Starn and Emmet Gowin In addition to including new sun printing techniques such as salted paper and lumen printing

this book has been updated throughout from pinhole camera and digital methods of making color separations and contact negatives to making water color pigments photo sensitive and more With step by step instructions and clear safety precautions New Dimensions in Photo Processes will teach you how to Reproduce original photographic art collages and drawings on paper fabric metal and other unusual surfaces Safely mix chemicals and apply antique light sensitive emulsions by hand Create imagery in and out of the traditional darkroom and digital studio Relocate photo imagery and make prints from real objects photocopies and pictures from magazines and newspapers as well as from your digital files and black and white negatives Alter black and white photographs smart phone images and digital prints

*Digital Alchemy* Bonny Pierce Lhotka, 2010-12-20 In *Digital Alchemy* acclaimed printmaker Bonny Pierce Lhotka shows how to turn your standard inkjet printer into a seemingly magical instrument capable of transforming your printed images into true works of art Using plenty of visuals and straightforward terms Lhotka walks you step by step through over a dozen projects Forget printing on boring old paper in *Digital Alchemy* you ll learn how to transfer and print images to a variety of surfaces including metal wood fabric stone and plastic using the techniques Lhotka s spent years developing If you re a photographer looking for new ways to personalize your work or a digital artist who s ready to take your work to the next level you ll find all of the tools techniques and inspiration you need in this book Lhotka s enthusiasm for experimenting with unusual printing materials and processes has led her to create new and amazing transfer techniques including one that resembles a Polaroid™ transfer on steroids She also shows you how to make prints using unexpected everyday materials such as hand sanitizer and gelatin You ll even learn direct printing the technique for sending your custom substrate through your printer almost as if it were paper In *Digital Alchemy* you ll learn how to Transfer images to metal wood plastic and other materials that will not feed through an inkjet printer Print directly on metal for a fraction of the cost of using a print service Simulate a print from an expensive UV flatbed printer using an inexpensive desktop printer Use carrier sheets and paintable precoats to print on almost any surface Achieve near lithographic quality digital prints with transfer processes to uncoated fine art paper In addition to the tutorials in the book you can watch Lhotka in action on the included DVD ROM which has over 60 minutes of video footage where you ll learn how to perform an alcohol gel transfer transfer an image to a wooden surface use your inkjet printer to achieve remarkable prints and more Simply insert the DVD ROM into your computer s DVD drive Note this DVD ROM will not work in TV DVD players

*Real World Print Production with Adobe Creative Cloud* Claudia McCue, 2014 Sharpen your print production skills with this definitive resource created specifically for design professionals who need to create files using the Adobe Creative Cloud including InDesign Photoshop Illustrator and Acrobat and output for printing The previous edition was steady seller helping designers who have no training in print get up and running quickly and not make expensive mistakes on their projects Completely updated for CS6 and the CC this book also helps designers with some print experience tackle more complex projects The book covers all the Adobe Suite programs they need to know to produce successful projects rather than

buying 4 or 5 different books This book is considered the complete resource for understanding the print cycle how ink works on paper managing fonts using color spaces handling images and preparing files for print or electronic output Print expert Claudia McCue shares her hands on techniques to prepare files edit photos and graphics and prevent common problems without missing a deadline This book is brimming with insightful advice illustrations and shortcuts that will have you quickly and professionally producing your work in no time Covers Acrobat XI InDesign CC Photoshop CC and Illustrator CC for Macintosh and Windows

**GIMP** Karin Kylander,Olof S. Kylander,1999 The authors comprehensively cover GIMP by teaching readers all aspects ranging from installing to scripting to working faster and more efficiently through shortcuts Features a 32 page Color Studio with inspiring images readers can create by learning all of the program s techniques in the book The CD ROM contains core GIMP software plug ins and libraries that add file formats and effects to harness the power of this expandable and extensible program

**The Art Direction Handbook for Film** Michael Rizzo,2013-07-18 Whether you d like to be an art director or already are one this book contains valuable solutions that will help you get ahead This comprehensive thorough professional manual details the set up of the art department and the day to day job duties scouting for locations research executing the design concept constructing scenery and surviving production You will not only learn how to do the job but how to succeed and secure future jobs Rounding out the text is an extensive collection of useful forms and checklists along with interviews with prominent art directors relevant real life anecdotes and blueprints sketches photographs and stills from Hollywood sets

*Macworld* ,1999

*Fine Art Printing for Photographers* Uwe Steinmueller,Juergen Gulbins,2010-12-21 Today s digital cameras provide image data files allowing large format output at high resolution At the same time printing technology has moved forward at an equally fast pace bringing us new inkjet systems capable of printing in high precision at a very fine resolution providing an amazing tonality range and longtime stability of inks Moreover these systems are now affordable to the serious photographer In the hands of knowledgeable and experienced photographers these new inkjet printers can help create prints comparable to the highest quality darkroom prints on photographic paper This book provides the necessary foundation for fine art printing The understanding of color management profiling paper and inks It demonstrates how to set up the printing workflow as it guides the reader step by step through this process from an image file to an outstanding fine art print

**Mac 911** Christopher Breen,2002 This easy to use guide covers troubleshooting tips and tricks for Mac hardware and software written by the well known Macworld columnist and Macintosh guru Chris Breen The book contains troubleshooting tips and techniques for both Mac OS 9 and OS X and additional projects for making a Macintosh more productive sharing files making Mac OS X work more like Mac OS 9 and more

**New Dimensions in Photo Processes** Laura Blacklow,2012-09-10 Clear instructions and step by step photographs teach you how to mix chemicals and apply light sensitive emulsions by hand how to create imagery in and out of the darkroom how to translocate Polaroid photos and magazine and newspaper pictures and how to alter black and white

photographs A color portfolio highlights the work of internationally known artists such as Robert Rauschenberg Todd Walker and most recently Doug and Mike Starn and an invaluable list of supply sources including e mail addresses from throughout North America and Europe is included at the end of the book Setting aside old distinctions between photographer and nonphotographer New Dimensions in Photo Processes invites artists in all media to discover nonsilver imaging techniques Painters printmakers fiber artists sculptors illustrators and photographers alike will find this a valuable practical text outlining creative processes that require little or no knowledge of photography and chemistry

**Photography with Tilt and Shift Lenses** Keith Cooper,2020-11-23 Tilt and shift lenses offer tremendous creative possibilities for users of digital SLR and mirrorless cameras This practical book explains the techniques that will help you take better photos photos that don't distort or lose focus Assessing the benefits and pitfalls of a range of lenses adapters software and editing techniques it guides you through the practicalities of working with these lenses and gives you the skills to use them to best effect With stunning examples throughout this book gives an overview of the different lenses available and tips on how adapters can give tilt shift options when using old medium format lenses It gives advice on how simple lens shift can change the entire look of your photos and techniques for using lens tilt for focus control and close up working Stunning examples show the use of tilt and shift lenses across a range of available focal lengths both tripod mounted and handheld

**The HDRI Handbook 2.0** Christian Bloch,2013-01-01 BONUS DVD ONLY WITH THE PRINT EDITION NOT AVAILABLE WITH eBooks In 2007 The HDRI Handbook was the first book to present this revolutionary new field to a larger audience These days HDRI is a fully mature technology available to everyone Real estate and landscape photographers have adopted it as part of their regular workflow it has become one of the hottest trends for ambitious amateurs and creative professionals alike and the modern movie industry would be completely dysfunctional without it Now The HDRI Handbook 2.0 redefines its own gold standard It has been completely rewritten and is packed with practical hints and tips background knowledge reference tools breathtaking artist portfolios and inspiring interviews The book includes dozens of new step by step tutorials Beginners will get a methodically solid introduction and advanced readers will be able to refine their technique to perfection Topics include Understanding the foundation of HDRI HDR software comparisons and evaluations Capturing HDR images today and tomorrow Tonemapping for creating superior prints HDR image processing and compositing Shooting and stitching HDR panoramas Image based lighting and CG rendering 2.0 updates include New cameras sensors and HDR beamsplitter rigs Open Camera Controller for endless auto bracketing Correct RAW pre processing and ghost removal Dozens of practical easy to follow tutorials A structured approach to tonemapping inspired by Ansel Adams Set etiquette and tips for capturing HDR panos for visual effects Seven artist spotlights showing unique perspectives on HDRI Seven crossword puzzles a fun way to test yourself BONUS DVD ONLY WITH THE PRINT EDITION NOT AVAILABLE WITH eBooks

*Computers in Africa* ,1999

**Black and White Printing** George Schaub,1991

*thutong unisa pretoria tutorial classes 2023* - Feb 25 2023

web 4 thutong unisa pretoria tutorial classes 2022 10 04 and environmental sustainability each chapter assesses the goal related impact associated with icts and key lessons

*thutong unisa pretoria tutorial classes copy* - Sep 22 2022

web thutong unisa pretoria tutorial classes 1 thutong unisa pretoria tutorial classes general principles of commercial law introduction to early childhood education

**unisa tutorials pretoria gauteng circle tutorial center** - Oct 04 2023

web tutorial support assignment help revision classes one on one classes for business and engineering modules

**thutong unisa pretoria tutorial classes copy portal nivbook co** - Oct 12 2021

web 2 thutong unisa pretoria tutorial classes 2023 04 17 deandre marlee charting our education future bloomsbury publishing a teacher s ability to manage the classroom

**thutong unisa pretoria tutorial classes etherpad arts ac** - Jan 27 2023

web thutong unisa pretoria tutorial classes 1 thutong unisa pretoria tutorial classes building innovation higher education in africa teaching strategies for quality teaching

**thutong unisa pretoria tutorial classes** - Jul 21 2022

web april 29th 2018 unisa tutorial classes pretoria tutorials for unisa modules from higher certificates diplomas bachelors and honours degrees unisa financial courses

thutong unisa pretoria tutorial classes - Jun 19 2022

web april 29th 2018 find unisa tutorial classes in pretoria tshwane view gumtree free online classified ads for unisa tutorial classes in pretoria tshwane and more

*thutong unisa pretoria tutorial classes 2022* - Feb 13 2022

web thutong unisa pretoria tutorial classes downloaded from careers schellgames com by guest wood reed essentials of educational measurement igi global this study

*thutong unisa pretoria tutorial classes mypthub* - Nov 12 2021

web thutong unisa pretoria tutorial classes tutorial classes johannesburg tutorials for unisa modules from higher certificates diplomas bachelors and honours degrees

**thutong unisa pretoria tutorial classes full pdf** - May 31 2023

web thutong unisa pretoria tutorial classes the world year book of education jan 22 2022 annual report university library university of london jun 14 2021 statistical

**thutong unisa pretoria tutorial classes pdf testapi mobal** - Jul 01 2023

web thutong unisa pretoria tutorial classes 3 3 a practical guide to effective teaching for educators in all instructional settings this account provides an introduction to nine

**thutong unisa pretoria tutorial classes housing gov** - Oct 24 2022

web thutong unisa pretoria tutorial classes that we will absolutely offer it is your undoubtedly own get older to re enact evaluating practice in the route of them is this

*thutong unisa pretoria tutorial classes copy* - Nov 24 2022

web thutong unisa pretoria tutorial classes book review unveiling the power of words in some sort of driven by information and connectivity the energy of words has are more

**thutong unisa pretoria tutorial classes home rightster com** - Apr 17 2022

web unisa tutorial classes pretoria unisa private tutorial april 29th 2018 and u college provide unisa private classes unisa tutorial classes and unisa private lesson

thutong unisa pretoria tutorial classes support tautrust org - May 19 2022

web thutong unisa pretoria tutorial classes unisa short learning programmes april 27th 2018 unisa short learning programmes the distance teaching model of unisa will be

unisa welcomes court ruling setting aside the minister s decision - Aug 22 2022

web nov 1 2023 the university of south africa unisa welcomes the ruling of the pretoria high court today wednesday 01 november 2023 which found that the decision of the

thutong unisa pretoria tutorial classes 2022 - Mar 17 2022

web 2 thutong unisa pretoria tutorial classes 2023 03 08 the law of banking and payment in south africa provides an explanation of some of the more important aspects of the law

**thutong unisa pretoria tutorial classes copy** - Dec 14 2021

web 2 thutong unisa pretoria tutorial classes 2022 04 17 education a practical guide to working with primary and secondary students who need extra attention it outlines the

**thutong unisa pretoria tutorial classes** - Jan 15 2022

web thutong unisa pretoria tutorial classes unisa gauteng region home tutoring private lessons in pretoria gauteng free university of south africa unisa institutional overview

thutong unisa pretoria tutorial classes app piphany com - Dec 26 2022

web thutong unisa pretoria tutorial classes recognizing the showing off ways to acquire this ebook thutong unisa pretoria tutorial classes is additionally useful you have

**unisa thutong learning center unisa law clinic in the city** - Aug 02 2023



web revolution media academy pretoria campus 405 stanza bopape st arcadia pretoria 0007 south africa tlabologo aet center mabgato road mabopane pretoria 0198

[thutong unisa pretoria tutorial classes cyberlab sutd edu sg](#) - Apr 29 2023

web different places to teach the people god s word oswaal cbse one for all class 10 english science social science math standard set of 4 books for 2023 exam

**thutong unisa pretoria tutorial classes** - Sep 03 2023

web april 29th 2018 unisa tutorial classes pretoria tutorials for unisa modules from higher certificates diplomas bachelors and honours degrees loto legal academy cc

**thutong unisa pretoria tutorial classes bespoke cityam** - Mar 29 2023

web thutong unisa pretoria tutorial classes unisa tutorial classes pretoria tutorials for unisa modules from higher certificates diplomas bachelors and honours degrees

[accounting understanding and practice epub 31nbdd1q8fk0](#) - Oct 30 2022

web read online accounting understanding and practice 4rd edition pdf for free understanding practice meaning understanding and practice teaching games for

**accounting understanding and practice** - Sep 09 2023

web the fourth edition of accounting understanding and practice by danny leiwy and robert perks has been fully revised throughout and updated in accordance with the

**ebook accounting understanding and practice google books** - Oct 10 2023

web feb 16 2013 the fourth edition of accounting understanding and practice by danny leiwy and robert perks has been fully revised throughout and updated in accordance

**accounting amazon co uk perks robert leiwy danny** - Nov 30 2022

web this text provides a gentle introduction to the complexities is accounting this new edition has been enhanced up provide more emphasis on management accounting topics e

[accounting practice definition accountingtools](#) - Dec 20 2021

web accounting understanding and practice 4th edition is written by danny leiwy robert perks and published by mcgraw hill europe middle east africa the digital and

**accounting understanding and practice 4th fourth edition by** - Apr 04 2023

web buy accounting understanding and practice 4th fourth edition by leiwy danny perks robert published by mcgraw hill higher education 2013 by isbn from

[accounting understanding and practice 4th fourth edition by](#) - Mar 03 2023

web the fourth edition of accounting understanding and practice by danny leiwy and robert perks has been fully revised throughout and updated in accordance with the

**accounting understanding and practice 4rd edition pdf** - Aug 28 2022

web apr 9 2023 ebook accounting understanding and practice danny leiwy 2013 02 16 the fourth edition of accounting understanding and practice by danny leiwy and

accounting understanding and practice google books - Jan 01 2023

web an evolution of the successful textbook financial accounting understanding and practice this new edition has been enhanced to provide more emphasis on

**accounting understanding and practice 4th edition** - Feb 02 2023

web an evolution of the successful textbook financial accounting understanding and practice this new edition has been enhanced to provide more emphasis on

**accounting understanding and practice 4rd edition 2022** - May 25 2022

web accounting understanding and practice 4rd edition understanding and challenging the send code of practice aug 21 2022 offering a clear but critical overview and

**accounting understanding and practice 4rd edition** - Mar 23 2022

web jun 6 2021 accounting practice an accounting practice is the routine manner in which the day to day financial activities of a business entity are gathered and recorded a firm s

**accounting information center mcgraw hill education** - May 05 2023

web accounting understanding and practice 4th fourth edition by leiwy danny perks robert published by mcgraw hill higher education 2013 on amazon com free

**accounting understanding and practice by leiwy danny** - Aug 08 2023

web the fourth edition of accounting understanding and practice by danny leiwy and robert perks has been fully revised throughout and updated in accordance with the

**accounting understanding and practice 4rd edition download** - Jan 21 2022

web jun 8 2023 accounting practice is the system of procedures and controls that an accounting department uses to create and record business transactions accounting

**read online accounting understanding and practice 4rd edition** - Sep 28 2022

web apr 28 2023 on line broadcast accounting understanding and practice 4rd edition as without difficulty as review them wherever you are now an introduction to accounting

accounting understanding and practice 4th edition vitalsource - Nov 18 2021

accounting practice definition methods and principles - Feb 19 2022

web accounting understanding and practice 4rd edition developmentally appropriate practice in early childhood programs serving children from birth through age 8

*accounting understanding and practice 4rd edition pdf* - Jul 27 2022

web managerial accounting 4 th edition presents a modern and practical approach to managerial accounting through a combination of unique and flexible learning units real

*accounting understanding and practice 4th edition* - Jun 06 2023

web understanding and practice 4th edition accounting understanding and practice by danny leiwy and robert perks provides a gentle introduction to the complexities of

*accounting understanding and practice 4th edition vidualsource* - Jul 07 2023

web feb 1 2013 the fourth edition of accounting understanding and practice by danny leiwy and robert perks has been fully revised throughout and updated in accordance

**accounting understanding and practice 4rd edition pdf** - Apr 23 2022

web understand financial accounting a critical tool to document finances to shareholders government tax authorities and other critical parts of the business ecosystem

**managerial accounting 4th edition wiley** - Jun 25 2022

web accounting understanding and practice 4rd edition managerial accounting intermediate accounting volume 1 principles of accounting volume 2 managerial

allez viens grammar and vocabulary workbook abebooks - Jan 12 2023

web allez viens grammar and vocabulary workbook holt french level 1 by holt rinehart and winston inc isbn 10 0030526396 isbn 13 9780030526398 holt rinehart winston 2000 softcover

**allez viens grammar and vocabulary workbook open library** - Jul 18 2023

web allez viens grammar and vocabulary workbook by holt rinehart and winston may 2000 not avail edition in english

*allez viens grammar and vocabulary workbook download only* - Oct 21 2023

web english vocabulary grammar and vocabulary jul 06 2023 this title covers the core areas of grammar and vocabulary such as words and sentences word structure sentence patterns clause and phrase grammar rules and vocabularies reading book of the turkish language with a grammar and vocabulary containing a selection of

**holt allez viens grammar and vocabulary workbook level 1** - Aug 19 2023

web nov 2 1998 amazon com holt allez viens grammar and vocabulary workbook level 1 9780030526398 holt rinehart and winston books books teen young adult education reference buy new 64 03 free delivery january 11 13 details or fastest

delivery january 10 12 order within 12 hrs 30 mins details select

[allez viens level 1 grammar and vocabulary reteaching practice](#) - Feb 13 2023

web jan 1 1998 if you are learning from allez viens textbook level 1 this is a must buy workbook it is set up in an easy to read fashion and offers reinforcement to the grammar and vocabulary that is taught in allez viens level 1 textbook the exercises are clear and to the point and really get you to think about what you are learning

*allez viens grammar and vocabulary workbook copy* - Jul 06 2022

web gain control over difficult areas of french grammar with this accessible guide mastering grammar in a new language can be challenging practice makes perfect advanced french grammar helps you

**allez viens grammar and vocabulary workbook goodreads** - Nov 10 2022

web read reviews from the world s largest community for readers allez viens grammar and vocabulary workbook level 1

**allez viens french 1 worksheets k12 workbook** - Sep 08 2022

web displaying all worksheets related to allez viens french 1 worksheets are workbook for allez viens language allez viens level 1 workbook answers allez viens grammar and vocabulary workbook holt french 1 allez viens workbook answers allez viens level 1 chapter 1 holt french 1 allez viens workbook answers allez viens level 1 chapter 1

**allez viens grammar and vocabulary workbook amazon ca** - Jun 17 2023

web allez viens grammar and vocabulary workbook holt french level 1 holt rinehart and winston inc 9780030526398 books amazon ca

[allez viens french by holt rinehart and winston inc](#) - Dec 11 2022

web jan 1 2000 isbn 13 978 0030544484 grade level item weight 9 6 ounces dimensions 8 25 x 0 25 x 10 75 inches best sellers rank 3 893 503 in books see top 100 in books 5 0 out of 5 stars brief content visible double tap to read full content full content visible double tap to read brief content

*allez viens grammar and vocabulary workbook malcolm offord* - Mar 02 2022

web allez viens grammar and vocabulary workbook right here we have countless books allez viens grammar and vocabulary workbook and collections to check out we additionally present variant types and moreover type of the books to browse the suitable book fiction history novel scientific research as capably as various additional sorts

**allez viens grammar and vocabulary workbook open library** - Mar 14 2023

web allez viens grammar and vocabulary workbook by holt rinehart and winston may 2000 not avail edition paperback in english workbook edition

**allez viens grammar and vocabulary workbook download only** - Apr 03 2022

web allez viens grammar and vocabulary workbook korean grammar for speaking oct 06 2022 free audio files available here

podbbang com ch 1771572 song won s korean grammar for speaking is the quintessential text for learning how to speak and write korean as a proven passionate

**download free allez viens grammar and vocabulary workbook** - Aug 07 2022

web allez viens grammar and vocabulary workbook allez viens apr 14 2022 integrated approach to language instruction develops student s listening speaking reading and writing skills with a variety of print and technology resources french course for americans may 23 2020 allez viens apr 26 2023 allez viens dec 22 2022 allez viens

**allez viens grammar and vocabulary workbook 2023** - Oct 09 2022

web phonics writing spelling and grammar and vocabulary brought to you by the world s greatest word game mad libs learning is adjective and learning with mad libs is double the fun

**allez viens grammar and vocabulary workbook** - Jun 05 2022

web kindly say the allez viens grammar and vocabulary workbook is universally compatible with any devices to read a complete french grammar for reference and practice trudie maria booth 2009 11 11 this comprehensive manual thoroughly covers every aspect of french grammar from the basic to the most

allez viens french level 2 grammar and vocabulary workbook - Apr 15 2023

web jan 27 2010 amazon com allez viens french level 2 grammar and vocabulary workbook 9780030527630 holt rinehart and winston books

allez viens grammar and vocabulary workbook full pdf - May 04 2022

web allez viens 2000 french language text focuses on the language skills of reading writing listening and speaking grammar and vocabulary are also stressed as a foundation an elementary french grammar jean gustave keetels 1884 allez viens french 1998 12 countdown to french gail stein 2003 08 22 master french in just one day when time is

**allez viens grammar and vocabulary workbook google books** - May 16 2023

web allez viens grammar and vocabulary workbook holt rinehart winston holt mcdougal 1998 french language 0 reviews reviews aren t verified but google checks for and removes fake content when it s identified from inside the book what people are saying write a review

allez viens grammar and vocabulary reteaching and practice workbook - Sep 20 2023

web grammar and vocabulary reteaching and practice workbook bookreader item preview allez viens grammar and vocabulary reteaching and practice workbook publication date 2003 topics french language study and teaching secondary publisher austin tex holt rinehart and winston

## **Epson Stylus Photo 1400 Inkjet Printer Manual** Book Review: Unveiling the Magic of Language

In an electronic digital era where connections and knowledge reign supreme, the enchanting power of language has become more apparent than ever. Its ability to stir emotions, provoke thought, and instigate transformation is truly remarkable. This extraordinary book, aptly titled "**Epson Stylus Photo 1400 Inkjet Printer Manual**," published by a highly acclaimed author, immerses readers in a captivating exploration of the significance of language and its profound impact on our existence. Throughout this critique, we shall delve into the book's central themes, evaluate its unique writing style, and assess its overall influence on its readership.

[https://offsite.creighton.edu/files/virtual-library/Documents/how\\_to\\_think\\_like\\_a\\_roman\\_emperor\\_pdf.pdf](https://offsite.creighton.edu/files/virtual-library/Documents/how_to_think_like_a_roman_emperor_pdf.pdf)

[https://offsite.creighton.edu/files/virtual-library/Documents/how\\_to\\_make\\_a\\_mod\\_in\\_minecraft\\_education\\_edition.pdf](https://offsite.creighton.edu/files/virtual-library/Documents/how_to_make_a_mod_in_minecraft_education_edition.pdf)

[https://offsite.creighton.edu/files/virtual-library/Documents/how\\_to\\_clean\\_filter\\_on\\_hayward\\_pool\\_pump.pdf](https://offsite.creighton.edu/files/virtual-library/Documents/how_to_clean_filter_on_hayward_pool_pump.pdf)

### **Table of Contents Epson Stylus Photo 1400 Inkjet Printer Manual**

1. Understanding the eBook Epson Stylus Photo 1400 Inkjet Printer Manual
  - The Rise of Digital Reading Epson Stylus Photo 1400 Inkjet Printer Manual
  - Advantages of eBooks Over Traditional Books
2. Identifying Epson Stylus Photo 1400 Inkjet Printer Manual
  - Exploring Different Genres
  - Considering Fiction vs. Non-Fiction
  - Determining Your Reading Goals
3. Choosing the Right eBook Platform
  - Popular eBook Platforms

- Features to Look for in an Epson Stylus Photo 1400 Inkjet Printer Manual
- User-Friendly Interface
- 4. Exploring eBook Recommendations from Epson Stylus Photo 1400 Inkjet Printer Manual
  - Personalized Recommendations
  - Epson Stylus Photo 1400 Inkjet Printer Manual User Reviews and Ratings
  - Epson Stylus Photo 1400 Inkjet Printer Manual and Bestseller Lists
- 5. Accessing Epson Stylus Photo 1400 Inkjet Printer Manual Free and Paid eBooks
  - Epson Stylus Photo 1400 Inkjet Printer Manual Public Domain eBooks
  - Epson Stylus Photo 1400 Inkjet Printer Manual eBook Subscription Services
  - Epson Stylus Photo 1400 Inkjet Printer Manual Budget-Friendly Options
- 6. Navigating Epson Stylus Photo 1400 Inkjet Printer Manual eBook Formats
  - ePub, PDF, MOBI, and More
  - Epson Stylus Photo 1400 Inkjet Printer Manual Compatibility with Devices
  - Epson Stylus Photo 1400 Inkjet Printer Manual Enhanced eBook Features
- 7. Enhancing Your Reading Experience
  - Adjustable Fonts and Text Sizes of Epson Stylus Photo 1400 Inkjet Printer Manual
  - Highlighting and Note-Taking Epson Stylus Photo 1400 Inkjet Printer Manual
  - Interactive Elements Epson Stylus Photo 1400 Inkjet Printer Manual
- 8. Staying Engaged with Epson Stylus Photo 1400 Inkjet Printer Manual
  - Joining Online Reading Communities
  - Participating in Virtual Book Clubs
  - Following Authors and Publishers Epson Stylus Photo 1400 Inkjet Printer Manual
- 9. Balancing eBooks and Physical Books Epson Stylus Photo 1400 Inkjet Printer Manual
  - Benefits of a Digital Library
  - Creating a Diverse Reading Collection Epson Stylus Photo 1400 Inkjet Printer Manual
- 10. Overcoming Reading Challenges
  - Dealing with Digital Eye Strain
  - Minimizing Distractions
  - Managing Screen Time
- 11. Cultivating a Reading Routine Epson Stylus Photo 1400 Inkjet Printer Manual

- Setting Reading Goals Epson Stylus Photo 1400 Inkjet Printer Manual
- Carving Out Dedicated Reading Time
- 12. Sourcing Reliable Information of Epson Stylus Photo 1400 Inkjet Printer Manual
  - Fact-Checking eBook Content of Epson Stylus Photo 1400 Inkjet Printer Manual
  - Distinguishing Credible Sources
- 13. Promoting Lifelong Learning
  - Utilizing eBooks for Skill Development
  - Exploring Educational eBooks
- 14. Embracing eBook Trends
  - Integration of Multimedia Elements
  - Interactive and Gamified eBooks

### **Epson Stylus Photo 1400 Inkjet Printer Manual Introduction**

Free PDF Books and Manuals for Download: Unlocking Knowledge at Your Fingertips In today's fast-paced digital age, obtaining valuable knowledge has become easier than ever. Thanks to the internet, a vast array of books and manuals are now available for free download in PDF format. Whether you are a student, professional, or simply an avid reader, this treasure trove of downloadable resources offers a wealth of information, conveniently accessible anytime, anywhere. The advent of online libraries and platforms dedicated to sharing knowledge has revolutionized the way we consume information. No longer confined to physical libraries or bookstores, readers can now access an extensive collection of digital books and manuals with just a few clicks. These resources, available in PDF, Microsoft Word, and PowerPoint formats, cater to a wide range of interests, including literature, technology, science, history, and much more. One notable platform where you can explore and download free Epson Stylus Photo 1400 Inkjet Printer Manual PDF books and manuals is the internet's largest free library. Hosted online, this catalog compiles a vast assortment of documents, making it a veritable goldmine of knowledge. With its easy-to-use website interface and customizable PDF generator, this platform offers a user-friendly experience, allowing individuals to effortlessly navigate and access the information they seek. The availability of free PDF books and manuals on this platform demonstrates its commitment to democratizing education and empowering individuals with the tools needed to succeed in their chosen fields. It allows anyone, regardless of their background or financial limitations, to expand their horizons and gain insights from experts in various disciplines. One of the most significant advantages of downloading PDF books and manuals lies in their portability. Unlike physical copies, digital books can be stored and carried on a single device, such as a tablet or smartphone, saving valuable space and weight. This convenience



makes it possible for readers to have their entire library at their fingertips, whether they are commuting, traveling, or simply enjoying a lazy afternoon at home. Additionally, digital files are easily searchable, enabling readers to locate specific information within seconds. With a few keystrokes, users can search for keywords, topics, or phrases, making research and finding relevant information a breeze. This efficiency saves time and effort, streamlining the learning process and allowing individuals to focus on extracting the information they need. Furthermore, the availability of free PDF books and manuals fosters a culture of continuous learning. By removing financial barriers, more people can access educational resources and pursue lifelong learning, contributing to personal growth and professional development. This democratization of knowledge promotes intellectual curiosity and empowers individuals to become lifelong learners, promoting progress and innovation in various fields. It is worth noting that while accessing free Epson Stylus Photo 1400 Inkjet Printer Manual PDF books and manuals is convenient and cost-effective, it is vital to respect copyright laws and intellectual property rights. Platforms offering free downloads often operate within legal boundaries, ensuring that the materials they provide are either in the public domain or authorized for distribution. By adhering to copyright laws, users can enjoy the benefits of free access to knowledge while supporting the authors and publishers who make these resources available. In conclusion, the availability of Epson Stylus Photo 1400 Inkjet Printer Manual free PDF books and manuals for download has revolutionized the way we access and consume knowledge. With just a few clicks, individuals can explore a vast collection of resources across different disciplines, all free of charge. This accessibility empowers individuals to become lifelong learners, contributing to personal growth, professional development, and the advancement of society as a whole. So why not unlock a world of knowledge today? Start exploring the vast sea of free PDF books and manuals waiting to be discovered right at your fingertips.

### **FAQs About Epson Stylus Photo 1400 Inkjet Printer Manual Books**

How do I know which eBook platform is the best for me? Finding the best eBook platform depends on your reading preferences and device compatibility. Research different platforms, read user reviews, and explore their features before making a choice. Are free eBooks of good quality? Yes, many reputable platforms offer high-quality free eBooks, including classics and public domain works. However, make sure to verify the source to ensure the eBook credibility. Can I read eBooks without an eReader? Absolutely! Most eBook platforms offer web-based readers or mobile apps that allow you to read eBooks on your computer, tablet, or smartphone. How do I avoid digital eye strain while reading eBooks? To prevent digital eye strain, take regular breaks, adjust the font size and background color, and ensure proper lighting while reading eBooks. What the advantage of interactive eBooks? Interactive eBooks incorporate multimedia elements, quizzes, and activities, enhancing the reader engagement and providing a more immersive learning experience. Epson Stylus Photo 1400 Inkjet

Printer Manual is one of the best book in our library for free trial. We provide copy of Epson Stylus Photo 1400 Inkjet Printer Manual in digital format, so the resources that you find are reliable. There are also many Ebooks of related with Epson Stylus Photo 1400 Inkjet Printer Manual. Where to download Epson Stylus Photo 1400 Inkjet Printer Manual online for free? Are you looking for Epson Stylus Photo 1400 Inkjet Printer Manual PDF? This is definitely going to save you time and cash in something you should think about.

### **Find Epson Stylus Photo 1400 Inkjet Printer Manual :**

~~how to think like a roman emperor pdf~~

**how to make a mod in minecraft education edition**

[how to clean filter on hayward pool pump](#)

*how to study for cisa exam*

*how to create an audit checklist in excel*

~~how to forgive yourself pdf~~

~~how to prevent receding gums naturally~~

**how to pass nasm cpt exam 2022**

~~how to field dress rabbit~~

**how to study for the bcha exam**

**how to level motorhome with hydraulic jacks**

**how to make salary sheet in excel**

[how to learn chord progressions guitar](#)

**how to talk to your son about puberty**

~~how to copy books in minecraft~~

### **Epson Stylus Photo 1400 Inkjet Printer Manual :**