

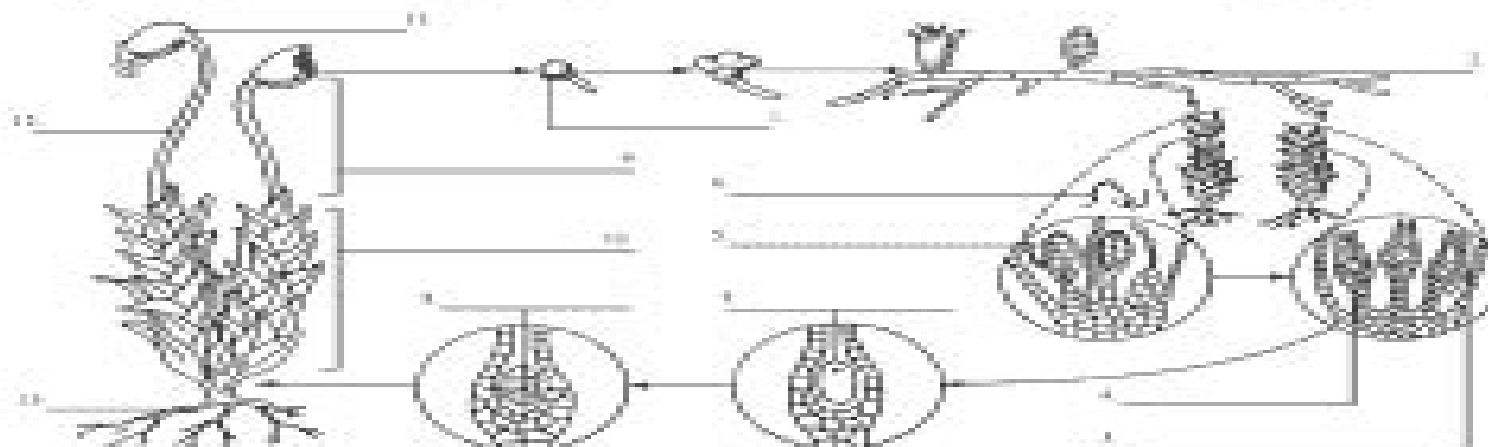
Worksheet

Moss - Fern Life Cycle

Procedure:

During reproduction, mosses exhibit alternation of generations in which a gametophyte generation gives rise to a sporophyte generation that, in turn, gives rise to another gametophyte generation. The leafy, green forms of mosses are the gametophytes, and the stalks are the sporophytes.

A. Study the diagram below showing the life cycle of a moss. Label each of the structures in the space provided.



B. Answer the following questions.

1. What composes a gametophyte?
2. What composes a sporophyte?
3. What is produced in the archegonium? _____ . In the antheridium? _____
4. How does a zygote form? _____ . Is it haploid or diploid? _____
5. What develops from a zygote?
6. Spores develop within sporophytes that are diploid, but the spores are haploid when released. What caused this change?
7. What is the function of protonema?
8. What evidence indicates that the mosses evolved from the green algae?

Chapter 22 Plant Diversity Guided Reading Answer Key

Sebastian Brünink



Chapter 22 Plant Diversity Guided Reading Answer Key

Model Rules of Professional Conduct American Bar Association. House of Delegates, Center for Professional Responsibility (American Bar Association), 2007 The Model Rules of Professional Conduct provides an up to date resource for information on legal ethics Federal state and local courts in all jurisdictions look to the Rules for guidance in solving lawyer malpractice cases disciplinary actions disqualification issues sanctions questions and much more In this volume black letter Rules of Professional Conduct are followed by numbered Comments that explain each Rule s purpose and provide suggestions for its practical application The Rules will help you identify proper conduct in a variety of given situations review those instances where discretionary action is possible and define the nature of the relationship between you and your clients colleagues and the courts

Demons in Eden Jonathan Silvertown, 2008-11-15 At the heart of evolution lies a bewildering paradox Natural selection favors above all the individual that leaves the most offspring a superorganism of sorts that Jonathan Silvertown here calls the Darwinian demon But if such a demon existed this highly successful organism would populate the entire world with its own kind beating out other species and eventually extinguishing biodiversity as we know it Why then if evolution favors this demon is the world filled with so many different life forms What keeps this Darwinian demon in check If humankind is now the greatest threat to biodiversity on the planet have we become the Darwinian demon *Demons in Eden* considers these questions using the latest scientific discoveries from the plant world Readers join Silvertown as he explores the astonishing diversity of plant life in regions as spectacular as the verdant climes of Japan the lush grounds of the Royal Botanical Gardens at Kew the shallow wetlands and teeming freshwaters of Florida the tropical rainforests of southeast Mexico and the Canary Islands archipelago whose evolutionary novelties and exotic plant life have earned it the sobriquet the Galapagos of botany Along the way Silvertown looks closely at the evolution of plant diversity in these locales and explains why such variety persists in light of ecological patterns and evolutionary processes In novel and useful ways he also investigates the current state of plant diversity on the planet to show the ever challenging threats posed by invasive species and humans Bringing the secret life of plants into more colorful and vivid focus than ever before *Demons in Eden* is an empathic and impassioned exploration of modern plant ecology that unlocks evolutionary mysteries of the natural world

What a Plant Knows Daniel Chamovitz, 2012-05-22 Explores the secret lives of various plants from the colors they see to whether or not they really like classical music to their ability to sense nearby danger

Modern Biology Towle, Albert Towle, 1991

Molecular Biology of The Cell Bruce Alberts, 2002

NUREG/CR. U.S. Nuclear Regulatory Commission, 1977

Concepts of Biology Samantha Fowler, Rebecca Roush, James Wise, 2018-01-07 Concepts of Biology is designed for the single semester introduction to biology course for non science majors which for many students is their only college level science course As such this course represents an important opportunity for students to develop the necessary knowledge tools and skills to make informed decisions as they continue with their lives Rather than being mired down with facts and vocabulary the typical non science major student needs information presented in a way that is easy to read and understand Even more importantly the content should be meaningful Students do much better when they understand why biology is relevant to their everyday lives For these reasons Concepts of Biology is grounded on an evolutionary basis and includes exciting features that highlight careers in the biological sciences and everyday applications of the concepts at hand We also strive to show the interconnectedness of topics within this extremely broad discipline In order to meet the needs of today s instructors and students we maintain the overall organization and coverage found in most syllabi for this course A strength of Concepts of Biology is that instructors can customize the book adapting it to the approach that works best in their classroom Concepts of Biology also includes an innovative art program that incorporates critical thinking and clicker questions to help students understand and apply key concepts

The Diversity of Fishes Gene Helfman, Bruce B. Collette, Douglas E. Facey, Brian W. Bowen, 2009-04-03 The second edition of *The Diversity of Fishes* represents a major revision of the world s most widely adopted ichthyology textbook Expanded and updated the second edition is illustrated throughout with striking color photographs depicting the spectacular evolutionary adaptations of the most ecologically and taxonomically diverse vertebrate group The text incorporates the latest advances in the biology of fishes covering taxonomy anatomy physiology biogeography ecology and behavior A new chapter on genetics and molecular ecology of fishes has been added and conservation is emphasized throughout Hundreds of new and redrawn illustrations augment readable text and every chapter has been revised to reflect the discoveries and greater understanding achieved during the past decade Written by a team of internationally recognized authorities the first edition of *The Diversity of Fishes* was received with enthusiasm and praise and incorporated into ichthyology and fish biology classes around the globe at both undergraduate and postgraduate levels The second edition is a substantial update of an already classic reference and text Companion resources site This book is accompanied by a resources site www.wiley.com/go/helfman The site is being constantly updated by the author team and provides Related videos selected by the authors Updates to the book since publication Instructor resources A chance to send in feedback

The Botany of Desire Michael Pollan, 2002-05-28 Pollan shines a light on our own nature as well as on our implication in the natural world The New York Times A wry informed pastoral The New Yorker The book that helped make Michael Pollan the New York Times bestselling author of *How to Change Your Mind* *Cooked* and *The Omnivore s Dilemma* one of the most trusted food experts in America Every schoolchild learns about the mutually beneficial dance of honeybees and flowers The bee collects nectar and pollen to make honey and in the process spreads the flowers genes far and wide In *The Botany of Desire* Michael Pollan ingeniously demonstrates how people and domesticated plants have formed a similarly reciprocal relationship He masterfully links four fundamental human desires sweetness beauty intoxication and control with the plants that satisfy them the apple the tulip marijuana and the potato In telling the stories of four familiar species Pollan illustrates how the plants have evolved to satisfy humankind s most basic yearnings And just as we ve benefited from these plants we have also done well by them So who is really domesticating whom

Plant Breeding Abstracts ,1997

Inanimate Life George M. Briggs, 2021-07-16

Handbook of Trait-Based Ecology Francesco de Bello, Carlos P. Carmona, André T. C. Dias, Lars Götzenberger, Marco Moretti, Matty P. Berg, 2021-03-11 Trait based ecology is rapidly expanding This comprehensive and accessible guide covers the main concepts and tools in functional ecology

A Framework for K-12 Science Education National Research Council, Division of Behavioral and Social Sciences and Education, Board on Science Education, Committee on a Conceptual Framework for New K-12 Science Education Standards, 2012-02-28 Science engineering and technology permeate nearly every facet of modern life and hold the key to solving many of humanity's most pressing current and future challenges The United States position in the global economy is declining in part because U S workers lack fundamental knowledge in these fields To address the critical issues of U S competitiveness and to better prepare the workforce A Framework for K 12 Science Education proposes a new approach to K 12 science education that will capture students interest and provide them with the necessary foundational knowledge in the field A Framework for K 12 Science Education outlines a broad set of expectations for students in science and engineering in grades K 12 These expectations will inform the development of new standards for K 12 science education and subsequently revisions to curriculum instruction assessment and professional development for educators This book identifies three dimensions that convey the core ideas and practices around which science and engineering education in these grades should be built These three dimensions are crosscutting concepts that unify the study of science through their common application across science and engineering scientific and engineering practices and disciplinary core ideas in the physical sciences life sciences and earth and space sciences and for engineering technology and the applications of science The overarching goal is for all high school graduates to have sufficient knowledge of science and engineering to engage in public discussions on science related issues be careful consumers of scientific and technical information and enter the careers of their choice A Framework for K 12 Science Education is the first step in a process that can inform state level decisions and achieve a research grounded basis for improving science instruction and learning across the country The book will guide standards developers teachers curriculum designers assessment developers state and district science administrators and educators who teach science in informal environments

Biology for AP ® Courses Julianne Zedalis, John Eggebrecht, 2017-10-16 Biology for AP courses covers the scope and sequence requirements of a typical two semester Advanced Placement biology course The text provides comprehensive coverage of foundational research and core biology concepts through an evolutionary lens Biology for AP Courses was designed to meet and exceed the requirements of the College Board's AP Biology framework while allowing significant flexibility for instructors Each section of the book includes an introduction based on the AP curriculum and includes rich features that engage students in scientific practice and AP test preparation it also highlights careers and research opportunities in biological sciences

Managing Global Genetic Resources National Research Council, Board on Agriculture, Committee on Managing Global Genetic Resources: Agricultural Imperatives, 1993-02-01 This anchor volume to the series Managing Global Genetic Resources examines the structure that underlies efforts to preserve genetic material including the worldwide network of genetic collections the role of biotechnology and a host of issues that surround management and use Among the topics explored are in situ versus ex situ conservation management of very large collections of genetic material problems of quarantine the controversy over ownership or copyright of genetic material and more

Guide for the Care and Use of Laboratory Animals National Research Council, Division on Earth and Life Studies, Institute for Laboratory Animal Research, Committee for the Update of the Guide for the Care and Use of Laboratory Animals, 2011-01-27 A respected resource for decades the Guide for the Care and Use of Laboratory Animals has been updated by a committee of experts taking into consideration input from the scientific and laboratory animal communities and the public at large The Guide incorporates new scientific information on common laboratory animals including aquatic species and includes extensive references It is organized around major components of animal use Key concepts of animal care and use The Guide sets the framework for the humane care and use of laboratory animals Animal care and use program The Guide discusses the concept of a broad Program of Animal Care and Use including roles and responsibilities of the Institutional Official Attending Veterinarian and the Institutional Animal Care and Use Committee Animal environment husbandry and management A chapter on this topic is now divided into sections on terrestrial and aquatic animals and provides recommendations for housing and environment husbandry behavioral and population management and more Veterinary care The Guide discusses veterinary care and the responsibilities of the Attending Veterinarian It includes recommendations on animal procurement and transportation preventive medicine including animal biosecurity and clinical care and management The Guide addresses distress and pain recognition and relief and issues surrounding euthanasia Physical plant The Guide identifies design issues providing construction guidelines for functional areas considerations such as drainage vibration and noise control and environmental monitoring and specialized facilities for animal housing and research needs The Guide for the Care and Use of Laboratory Animals provides a framework for the judgments required in the management of animal facilities This updated and expanded resource of proven value will be important to scientists and researchers veterinarians animal care personnel facilities managers institutional administrators policy makers involved in research issues and animal welfare advocates

School, Family, and Community Partnerships Joyce L. Epstein, Mavis G. Sanders, Steven B. Sheldon, Beth S. Simon, Karen Clark Salinas, Natalie Rodriguez Jansorn, Frances L. Van Voorhis, Cecelia S. Martin, Brenda G. Thomas, Marsha D. Greenfield, Darcy J. Hutchins, Kenyatta J. Williams, 2018-07-19 Strengthen programs of family and community engagement to promote equity and increase student success When schools families and communities collaborate and share responsibility for students education more students succeed in school Based on 30 years of research and fieldwork the fourth edition of the bestseller School Family and Community Partnerships Your Handbook for Action presents tools and guidelines to help develop more effective and more equitable programs of family and community engagement Written by a team of well known experts it provides a theory and framework of six types of involvement for action up to date research on school family and community collaboration and new materials for professional development and on going technical assistance Readers also will find Examples of best practices on the six types of involvement from preschools and elementary middle and high schools Checklists templates and evaluations to plan goal linked partnership programs and assess progress CD ROM with slides and notes for two presentations A new awareness session to orient colleagues on the major components of a research based partnership program and a full One Day Team Training Workshop to prepare school teams to develop their partnership programs As a foundational text this handbook demonstrates a proven approach to implement and sustain inclusive goal linked programs of partnership It shows how a good partnership program is an essential component of good school organization and school improvement for student success This book will help every district and all schools strengthen and continually improve their programs of family and community engagement

Preparing for the Biology AP Exam Neil A. Campbell, Jane B. Reece, Fred W. Holtzclaw, Theresa Knapp Holtzclaw, 2009-11-03 Fred and Theresa Holtzclaw bring over 40 years of AP Biology teaching experience to this student manual Drawing on their rich experience as readers and faculty consultants to the College Board and their participation on the AP Test Development Committee the Holtzclaws have designed their resource to help your students prepare for the AP Exam Completely revised to match the new 8th edition of Biology by Campbell and Reece New Must Know sections in each chapter focus student attention on major concepts Study tips information organization ideas and misconception warnings are interwoven throughout New section reviewing the 12 required AP labs Sample practice exams The secret to success on the AP Biology exam is to understand what you must know and these experienced AP teachers will guide your students toward top scores

Measuring Biological Diversity Anne E. Magurran, 2013-04-18 This accessible and timely book provides a comprehensive overview of how to measure biodiversity The book highlights new developments including innovative approaches to measuring taxonomic distinctness and estimating species richness and evaluates these alongside traditional methods such as species abundance distributions and diversity and evenness statistics Helps the reader quantify and interpret patterns of ecological diversity focusing on the measurement and estimation of species richness and abundance Explores the concept of ecological diversity bringing new perspectives to a field beset by contradictory views and advice Discussion spans issues such as the meaning of community in the context of ecological diversity scales of diversity and distribution of diversity among taxa Highlights advances in measurement paying particular attention to new techniques such as species richness estimation application of measures of diversity to conservation and environmental management and addressing sampling issues Includes worked examples of key methods in helping people to understand the techniques and use available computer packages more effectively

Biologist ,1983

Recognizing the habit ways to acquire this ebook **Chapter 22 Plant Diversity Guided Reading Answer Key** is additionally useful. You have remained in right site to start getting this info. get the Chapter 22 Plant Diversity Guided Reading Answer Key associate that we present here and check out the link.

You could buy lead Chapter 22 Plant Diversity Guided Reading Answer Key or get it as soon as feasible. You could quickly download this Chapter 22 Plant Diversity Guided Reading Answer Key after getting deal. So, gone you require the book swiftly, you can straight get it. Its thus entirely simple and so fats, isnt it? You have to favor to in this melody

<https://offsite.creighton.edu/public/uploaded-files/index.jsp/Learn%20To%20Draw%20Nature.pdf>

<https://offsite.creighton.edu/public/uploaded-files/index.jsp/Let%20All%20That%20You%20Do%20Be%20Done%20In%20Love.pdf>

https://offsite.creighton.edu/public/uploaded-files/index.jsp/lean_leadership_principles.pdf

Table of Contents Chapter 22 Plant Diversity Guided Reading Answer Key

1. Understanding the eBook Chapter 22 Plant Diversity Guided Reading Answer Key
 - The Rise of Digital Reading Chapter 22 Plant Diversity Guided Reading Answer Key
 - Advantages of eBooks Over Traditional Books
2. Identifying Chapter 22 Plant Diversity Guided Reading Answer Key
 - Exploring Different Genres
 - Considering Fiction vs. Non-Fiction
 - Determining Your Reading Goals
3. Choosing the Right eBook Platform
 - Popular eBook Platforms
 - Features to Look for in an Chapter 22 Plant Diversity Guided Reading Answer Key
 - User-Friendly Interface
4. Exploring eBook Recommendations from Chapter 22 Plant Diversity Guided Reading Answer Key
 - Personalized Recommendations
 - Chapter 22 Plant Diversity Guided Reading Answer Key User Reviews and Ratings
 - Chapter 22 Plant Diversity Guided Reading Answer Key and Bestseller Lists

5. Accessing Chapter 22 Plant Diversity Guided Reading Answer Key Free and Paid eBooks
 - Chapter 22 Plant Diversity Guided Reading Answer Key Public Domain eBooks
 - Chapter 22 Plant Diversity Guided Reading Answer Key eBook Subscription Services
 - Chapter 22 Plant Diversity Guided Reading Answer Key Budget-Friendly Options
6. Navigating Chapter 22 Plant Diversity Guided Reading Answer Key eBook Formats
 - ePub, PDF, MOBI, and More
 - Chapter 22 Plant Diversity Guided Reading Answer Key Compatibility with Devices
 - Chapter 22 Plant Diversity Guided Reading Answer Key Enhanced eBook Features
7. Enhancing Your Reading Experience
 - Adjustable Fonts and Text Sizes of Chapter 22 Plant Diversity Guided Reading Answer Key
 - Highlighting and Note-Taking Chapter 22 Plant Diversity Guided Reading Answer Key
 - Interactive Elements Chapter 22 Plant Diversity Guided Reading Answer Key
8. Staying Engaged with Chapter 22 Plant Diversity Guided Reading Answer Key
 - Joining Online Reading Communities
 - Participating in Virtual Book Clubs
 - Following Authors and Publishers Chapter 22 Plant Diversity Guided Reading Answer Key
9. Balancing eBooks and Physical Books Chapter 22 Plant Diversity Guided Reading Answer Key
 - Benefits of a Digital Library
 - Creating a Diverse Reading Collection Chapter 22 Plant Diversity Guided Reading Answer Key
10. Overcoming Reading Challenges
 - Dealing with Digital Eye Strain
 - Minimizing Distractions
 - Managing Screen Time
11. Cultivating a Reading Routine Chapter 22 Plant Diversity Guided Reading Answer Key
 - Setting Reading Goals Chapter 22 Plant Diversity Guided Reading Answer Key
 - Carving Out Dedicated Reading Time
12. Sourcing Reliable Information of Chapter 22 Plant Diversity Guided Reading Answer Key
 - Fact-Checking eBook Content of Chapter 22 Plant Diversity Guided Reading Answer Key
 - Distinguishing Credible Sources
13. Promoting Lifelong Learning

- Utilizing eBooks for Skill Development
 - Exploring Educational eBooks
14. Embracing eBook Trends
- Integration of Multimedia Elements
 - Interactive and Gamified eBooks

Chapter 22 Plant Diversity Guided Reading Answer Key Introduction

Free PDF Books and Manuals for Download: Unlocking Knowledge at Your Fingertips In today's fast-paced digital age, obtaining valuable knowledge has become easier than ever. Thanks to the internet, a vast array of books and manuals are now available for free download in PDF format. Whether you are a student, professional, or simply an avid reader, this treasure trove of downloadable resources offers a wealth of information, conveniently accessible anytime, anywhere. The advent of online libraries and platforms dedicated to sharing knowledge has revolutionized the way we consume information. No longer confined to physical libraries or bookstores, readers can now access an extensive collection of digital books and manuals with just a few clicks. These resources, available in PDF, Microsoft Word, and PowerPoint formats, cater to a wide range of interests, including literature, technology, science, history, and much more. One notable platform where you can explore and download free Chapter 22 Plant Diversity Guided Reading Answer Key PDF books and manuals is the internet's largest free library. Hosted online, this catalog compiles a vast assortment of documents, making it a veritable goldmine of knowledge. With its easy-to-use website interface and customizable PDF generator, this platform offers a user-friendly experience, allowing individuals to effortlessly navigate and access the information they seek. The availability of free PDF books and manuals on this platform demonstrates its commitment to democratizing education and empowering individuals with the tools needed to succeed in their chosen fields. It allows anyone, regardless of their background or financial limitations, to expand their horizons and gain insights from experts in various disciplines. One of the most significant advantages of downloading PDF books and manuals lies in their portability. Unlike physical copies, digital books can be stored and carried on a single device, such as a tablet or smartphone, saving valuable space and weight. This convenience makes it possible for readers to have their entire library at their fingertips, whether they are commuting, traveling, or simply enjoying a lazy afternoon at home. Additionally, digital files are easily searchable, enabling readers to locate specific information within seconds. With a few keystrokes, users can search for keywords, topics, or phrases, making research and finding relevant information a breeze. This efficiency saves time and effort, streamlining the learning process and allowing individuals to focus on extracting the information they need. Furthermore, the availability of free PDF books and manuals fosters a culture of continuous learning. By removing financial barriers, more people can access educational resources and

pursue lifelong learning, contributing to personal growth and professional development. This democratization of knowledge promotes intellectual curiosity and empowers individuals to become lifelong learners, promoting progress and innovation in various fields. It is worth noting that while accessing free Chapter 22 Plant Diversity Guided Reading Answer Key PDF books and manuals is convenient and cost-effective, it is vital to respect copyright laws and intellectual property rights. Platforms offering free downloads often operate within legal boundaries, ensuring that the materials they provide are either in the public domain or authorized for distribution. By adhering to copyright laws, users can enjoy the benefits of free access to knowledge while supporting the authors and publishers who make these resources available. In conclusion, the availability of Chapter 22 Plant Diversity Guided Reading Answer Key free PDF books and manuals for download has revolutionized the way we access and consume knowledge. With just a few clicks, individuals can explore a vast collection of resources across different disciplines, all free of charge. This accessibility empowers individuals to become lifelong learners, contributing to personal growth, professional development, and the advancement of society as a whole. So why not unlock a world of knowledge today? Start exploring the vast sea of free PDF books and manuals waiting to be discovered right at your fingertips.

FAQs About Chapter 22 Plant Diversity Guided Reading Answer Key Books

What is a Chapter 22 Plant Diversity Guided Reading Answer Key PDF? A PDF (Portable Document Format) is a file format developed by Adobe that preserves the layout and formatting of a document, regardless of the software, hardware, or operating system used to view or print it. **How do I create a Chapter 22 Plant Diversity Guided Reading Answer Key PDF?** There are several ways to create a PDF: Use software like Adobe Acrobat, Microsoft Word, or Google Docs, which often have built-in PDF creation tools. Print to PDF: Many applications and operating systems have a "Print to PDF" option that allows you to save a document as a PDF file instead of printing it on paper. Online converters: There are various online tools that can convert different file types to PDF. **How do I edit a Chapter 22 Plant Diversity Guided Reading Answer Key PDF?** Editing a PDF can be done with software like Adobe Acrobat, which allows direct editing of text, images, and other elements within the PDF. Some free tools, like PDFescape or Smallpdf, also offer basic editing capabilities. **How do I convert a Chapter 22 Plant Diversity Guided Reading Answer Key PDF to another file format?** There are multiple ways to convert a PDF to another format: Use online converters like Smallpdf, Zamzar, or Adobe Acrobats export feature to convert PDFs to formats like Word, Excel, JPEG, etc. Software like Adobe Acrobat, Microsoft Word, or other PDF editors may have options to export or save PDFs in different formats. **How do I password-protect a Chapter 22 Plant Diversity Guided Reading Answer Key PDF?** Most PDF editing software allows you to add password protection. In Adobe Acrobat,

for instance, you can go to "File" -> "Properties" -> "Security" to set a password to restrict access or editing capabilities. Are there any free alternatives to Adobe Acrobat for working with PDFs? Yes, there are many free alternatives for working with PDFs, such as: LibreOffice: Offers PDF editing features. PDFsam: Allows splitting, merging, and editing PDFs. Foxit Reader: Provides basic PDF viewing and editing capabilities. How do I compress a PDF file? You can use online tools like Smallpdf, ILovePDF, or desktop software like Adobe Acrobat to compress PDF files without significant quality loss. Compression reduces the file size, making it easier to share and download. Can I fill out forms in a PDF file? Yes, most PDF viewers/editors like Adobe Acrobat, Preview (on Mac), or various online tools allow you to fill out forms in PDF files by selecting text fields and entering information. Are there any restrictions when working with PDFs? Some PDFs might have restrictions set by their creator, such as password protection, editing restrictions, or print restrictions. Breaking these restrictions might require specific software or tools, which may or may not be legal depending on the circumstances and local laws.

Find Chapter 22 Plant Diversity Guided Reading Answer Key :

learn to draw nature

let all that you do be done in love

lean leadership principles

law 3-48 laws of power

learn how to play saxophone

learn how to swing trade for beginners

learning project ibiza

letter from birmingham jail questions and answers

lermontov hero of our time

largest domestic rabbit breed

larry ellison 2022

leverage machine learning

letter of recommendation for professor tenure from student

lessons in chemistry free copy

lewis dot structure of silver

Chapter 22 Plant Diversity Guided Reading Answer Key :

engineering mechanics statics 7th edition solutions and quizlet - Sep 14 2023

web at quizlet we re giving you the tools you need to take on any subject without having to carry around solutions manuals or printing out pdfs now with expert verified solutions from engineering mechanics statics 7th edition you ll learn how to solve your toughest homework problems

product manuals the trusted leader in measurement calibration solutions - Feb 24 2022

web m2001 rotary gas meter tester m2003 series smart manometer industrial m1000 series smart calibrator industrial m400 single sensor handheld pressure transmitter calibrator data logger m1 series digital manometer m100 0 25 or m101 0 1 m203 altimeter air speed indicator tester

engineering mechanics dynamics 7th edition solution manual meriam - Jun 30 2022

web engineering mechanics dynamics 7th edition solution manual meriam uploaded by mario andres meriam copyright all rights reserved available formats download as pdf txt or read online from scribd flag for inappropriate content download now of 2 anyone who works with kiusalaas engineering data pro react data mechanics â

statics meriam kraige 7th edition solutions manual - May 30 2022

web statics meriam kraige 7th edition solutions manual document about statics meriam kraige 7th edition solutions manual download is available on print and digital edition this pdf ebook is one of digital edition of statics meriam kraige 7th edition solutions manual download that

engineering mechanics dynamics meriam 7th edition solution manual - Nov 04 2022

web download engineering mechanics dynamics meriam 7th edition solution manual free in pdf format

meriam kraige engineering mechanics dynamics 7th edition - May 10 2023

web chapter 1 introduction to dynamics dynamics lecture software requires winzip or equivalent software art powerpoint slides image gallery instructor s solutions manual requires winzip or equivalent software

solution manual meriam kraige engineering mechanics statics 7th edition - Apr 28 2022

web 1 write the expression for the equilibrium constant write both K_c and K_p 1 2o3 g 2 h2 g i2 g 3o2 g 2hi g global creative organization discussion purpose of assignment the purpose of this assignment is to provide you with the opportunity to examine an existing orga

pdf engineering mechanics statics 7th edition solution manual meriam - Mar 28 2022

web here is the access download page of engineering mechanics statics 7th edition solution manual meriam kraige pdf click this link to download or read online download engineering mechanics statics 7th edition solution manual meriam kraige pdf pdf file engineering mechanics statics 7th

engineering mechanics statics 7th edition meriam solutions manual - Sep 02 2022

web dec 29 2019 engineering mechanics statics 7th edition meriam solutions manual download as a pdf or view online for free

meriam kraige engineering mechanics statics google drive - Apr 09 2023

web feb 8 2014 meriam kraige engineering mechanics statics 7th edition book may 9 2014 30 9 mb

engineering mechanics dynamics 7th edition meriam solutions - Oct 03 2022

web sep 8 2021 engineering mechanics dynamics 7th edition meriam solutions manual full download alibabadownload com product engineering mechanics dynamics 7th edition meriam solutions manual this sample only download all chapters at alibabadownload com

engineering mechanics dynamics 7th edition j l meriam l - Feb 07 2023

web view details request a review learn more

engineering mechanics dynamics 7th edition solutions manual meriam - Dec 05 2022

web pdf file engineering mechanics dynamics 7th edition solutions manual meriam kraige 5 engineering mechanics dynamics 7th edition solutions manual meriam kraige pdf free download as pdf file pdf text file txt or read online for free

engineering mechanics statics 7th edition meriam solutions manual - Aug 13 2023

web engineering mechanics statics 7th edition meriam solutions manual free download as pdf file pdf text file txt or read online for free solutions manual

engineering mechanics dynamics meriam 7th edition solution manual - Oct 15 2023

web engineering mechanics dynamics meriam 7th edition solution manual the preview only show first 10 pages of manuals please download to view the full documents loading preview please wait submitted by beverly galiste file size 42 3 kb file type application pdf report dmca this file

pdf meriam j l kraige l g engineering mechanics statics - Jan 06 2023

web meriam j l kraige l g engineering mechanics statics instructors solution manual

engineering dynamics j l meriam 7th edition solution docsity - Aug 01 2022

web download engineering dynamics j l meriam 7th edition solution and more dynamics exercises in pdf only on docsity engineering dynamics section a uet department of mechanical engineering university of engineering and technology lahore city campus assignment numerical problems of chapter no 2 submitted by

engineering mechanics dynamics 7th edition solutions manual meriam kraige - Jun 11 2023

web download engineering mechanics dynamics 7th edition solutions manual meriam kraige pdf file for free get many pdf ebooks from our online library related with engineering mechanics dynamics 7th edition solutions manual meriam kraige

engineering mechanics dynamics 7th edition solutions manual meriam kraige pdf

[engineering mechanics 7th edition textbook solutions chegg](#) - Jul 12 2023

web unlike static pdf engineering mechanics 7th edition solution manuals or printed answer keys our experts show you how to solve each problem step by step no need to wait for office hours or assignments to be graded to find out where you took a wrong turn

chapter 1 question 1 solutions for meriam s engineering - Mar 08 2023

web step by step solution we have solutions for meriam s engineering mechanics including chapter 1 problem 1 get high quality textbook solutions here

[download touchstone 3 teacher s edition pdf sciarium](#) - Mar 30 2022

web oct 21 2015 touchstone 3 student book and quizzes audio author michael mccarthy publisher cambridge university press publication date february 20 2006 number of pages 150 format quality pdf mp3 product description easy and enjoyable to teach touchstone offers a fresh approach to the teaching and learning of

[touchstone 3 unit 4 lesson a quizizz](#) - Nov 06 2022

web find and create gamified quizzes lessons presentations and flashcards for students employees and everyone else get started for free

[touchstone 3 unit 1 unit 2 quizizz](#) - Jun 13 2023

web touchstone 3 unit 1 unit 2 quiz for professional development find other quizzes for english and more on quizizz for free

[touchstone 3 workbook answer key 1 6 4lo9ooog2wlx doku](#) - Dec 27 2021

web exercise 2 1 dishonest 2 unfriendly 3 unreliable exercise 3 1 b 2 a 3 a 4 b exercise 3 a 1 slowly 2 good hard fast quick 3 easily fast quickly 4 quick fast 5 badly 6 well b answers will vary lesson b personality and character pp 4 5 exercise 1 a a c d p l t l q o t a e t p e v j f b i i a o r

[touchstone 3 quiz unit 1 pdf grammar linguistic](#) - Oct 05 2022

web touchstone 3 quiz unit 1 free download as pdf file pdf text file txt or read online for free touchstone level 3 unit 1

touchstone 3 unit 2 english quizizz - Jul 02 2022

web 13 questions show answers question 1 900 seconds report an issue q i want to go to kenya next year there answer choices i ve never traveled

touchstone 3 2nd edition unit 1 written quizz pdf scribd - Dec 07 2022

web touchstone 3 cambridge university press 2014 photocopiable unit 1 written quiz read the description of a basketball camp then read the statements and circle a true b false or c doesnt say 1 children at camp b ball eat at the camp a true b false c doesnt say 2 players who are arrogant at the camp are sent home a true b

[touchstone 3 course 12 unit 11 quizizz](#) - Apr 11 2023

web touchstone 3 course 12 unit 11 quiz for university students find other quizzes for english and more on quizizz for free

[touchstone 3 unit 10 quizizz](#) - May 12 2023

web 1 multiple choice 1 minute 1 pt present perfect continuous have past participle have been verb ing 2 multiple choice 1 minute 1 pt present perfect simple have past participle have been verb ing 3 multiple choice 1 minute 1 pt we use to talk about actions that started in the

touchstone 3 2nd edition unit 1 written quizz answer key pdf pdf scribd - Jan 08 2023

web unit 1 written quiz answer key a d 1 a c e h 1 my roommate is extremely disorganized 2 b d e h 2 young people are pretty inconsiderate 3 our neighbors are really unfriendly b 4 my sister is an incredibly unreliable person

[touchstone 3 2nd edition unit 1 written quizz answer key](#) - Aug 03 2022

web unit 1 written quiz answer key 1 a c e h 1 my roommate is extremely disorganized 2 b d e h 2 young people are pretty inconsiderate b 1 well 3 our neighbors are really unfriendly 4 my sister is an incredibly unreliable person 2 differently 3 careful 1 hes always talking about himself 4 properly 2 im always spending

student book touchstone 3 pdf google drive - Jul 14 2023

web view details request a review learn more

[touchstone 3 unit 8 quizizz](#) - Feb 09 2023

web touchstone 3 unit 8 quiz for university students find other quizzes for english and more on quizizz for free skip to content enter code log in sign up touchstone 3 unit 8 javier gonzalez 20 plays 13 questions copy edit

[touchstone 3 student s book and quizzes audio sciarium](#) - Mar 10 2023

web jun 26 2009 touchstone 3 student book and quizzes audio author michael mccarthy publisher cambridge university press publication date february 20 2006 number of pages 150 format quality pdf mp3 product description easy and enjoyable to teach touchstone offers a fresh approach to the teaching and learning of

[conversation questions for touchstone 3](#) - Jun 01 2022

web here are conversations questions for all of the units in touchstone 3 enjoy and good luck in class

[touchstone 3 unit 1 quizizz](#) - Aug 15 2023

web touchstone 3 unit 1 quiz for university students find other quizzes for english and more on quizizz for free

[cambridge touchstone 3 student s book 2nd edition 1](#) - Sep 04 2022

web 1 freak rain hailstorm earthquake 2 heavy wildfire tornado rain 3 minor earthquake rain wind 4 flash tornado earthquake flood 5 catastrophic thunder wildfire hailstones 2 word builder for each sentence below cross out the one word that cannot be used to complete it 1 a building was by lightning

touchstone 3 written quiz unit 12 ts u12 wq scribd - Apr 30 2022

web touchstone 3 written quiz unit 12 ts u12 wq free download as pdf file pdf text file txt or read online for free touchstone 3 quiz written unit 12 ts u12 wq

touchstone 3 unit 3 flashcards quizlet - Feb 26 2022

web gamestop circledr reported profits of approximately 400 400 million with approximately 9 000 9 000 million in revenues compare the profit to revenue by writing as a fraction in lowest terms verified answer business math $x \frac{1}{3} \times \frac{2}{2} \times \frac{3}{1} \times \frac{1}{3} \times \frac{2}{2} \times \frac{1}{6} \times \frac{2}{4} \times \frac{3}{3} \times \frac{1}{2} \times \frac{6}{2} \times \frac{4}{3} \times \frac{3}{3}$

touchstone 3a unit quiz quizzalize - Jan 28 2022

web quiz your students on touchstone 3a unit using our fun classroom quiz game quizzalize and personalize your teaching

massey ferguson 41 rear mounted sickle bar mower parts - May 06 2022

web massey ferguson 41 rear mounted sickle bar mower parts operators manua peaceful creek home products massey ferguson 41 rear mounted sickle bar mower parts operators manual service

massey ferguson ag parts farmer bob s parts - Jan 14 2023

web massey ferguson sickle mower sections single tooth underserrated heavy duty pack of 10 heat treated manganese alloy steel knife sections 12 gauge length from blade tip to base 26 95 211 201 add to cart

massey ferguson mf 42 mower bar sickle parts book manual rear mounted - Mar 16 2023

web sep 1 2016 massey ferguson mf 42 mower bar sickle parts book manual rear mounted part list brand pousutong 5 0 1 rating 1397 this manual is used for assembly with exploded parts views allows for parts id by name and includes all parts numbers for every component

massey ferguson 31 mf31 sickle bar mower parts - Apr 05 2022

web massey ferguson 31 sickle mower parts manual fully covers all years and serials this comprehensive manual has 44 pages this parts manual includes parts numbers exploded views parts names numerical index this is a new reproduction of an original equipment manufacturers oem manual orders placed before noon central t

ih implement parts sickle bar mowers cutter bar mf729a - Jul 08 2022

web cub cadet parts white oliver parts ford new holland parts john deere parts j i case parts cds john blue cole mfg co kuhn kuhn knight allis chalmers massey ferguson

massey ferguson 41 mf41 sickle bar mower parts - Dec 01 2021

web massey ferguson 41 mower dyna balance drive parts manual fully covers all years and serials this comprehensive manual has 32 pages this parts manual includes massey ferguson 41 mf41 sickle bar mower parts manual catalog book exploded view peaceful creek 12 97 sku m 55916 qty add to cart

mf dynabalance sickle bar mower youtube - Feb 03 2022

web aug 6 2012 testing and adjusting a sickle bar mower

sickle bar rear and belly mounted mower parts - Nov 12 2022

web sickle bar rear and belly mounted mower parts sort by tractor mounted mower parts for various brands and models both new and used parts new mower pto and belt drive mower pulleys and pulley inserts available for most tractors mounted mowers farmall cub new mower pto pulleys and pulley

massey ferguson sickle bar ag parts farmer bob s parts - Mar 04 2022

web massey ferguson sickle bar and other ag parts are available at farmer bob s visit us online for high quality ag parts like massey ferguson sickle bar

massey ferguson 31 sickle mower parts used waltstractors com - Jan 02 2022

web massey ferguson 31 sickle mower parts used frame assembly rod lift dyna balance pulley dyna balance drive drag bar pto shaft shoes sickle bar

agco parts services massey ferguson - Jun 19 2023

web agco parts are the genuine replacement parts for your massey ferguson we deliver the dependability you can rely on with the productivity you ve come to expect when you see the agco parts hologram you know it s the original equipment part which will maximize performance and uptime and keep your machinery running the way it s meant to

massey ferguson sickle parts sickles combine parts - Oct 23 2023

web baler parts disc mower blades disc mower parts fertilizer spreader flail mower parts hay and forage belts misc baler parts misc mower conditioner parts mower curtain rake parts rotary cutter parts sickle parts

sickle bar mower parts styron ag parts company - Dec 13 2022

web shop our huge selection of sickle bar mower parts all parts original rossi farm maxx sickle bar mower parts enorossi bf bfs model sickle bar mowersall parts original rossi italy best quality in the world farm maxx fsbm models enorossi bf bfs bft models available to purchase

volume 1 of 2 cutting parts catalog agco parts and service - Aug 09 2022

web cutting parts catalog sickle assemblies sickle sections disc mower knives hardware volume massey ferguson 63 assemblies sickle assemblies for agco hesston mower conditioners pt 7 7 pt 10 1010 9 also fits case 555 bolt on

massey ferguson sickle bar mower parts diagram - Oct 11 2022

web mar 22 2019 a massey ferguson sickle bar mower parts diagram provides farmers with a detailed and precise view of each mower component allowing them to diagnose and repair any issues that may arise it also serves as a great reference guide when it comes to ordering replacement parts or performing maintenance on the mower

massey ferguson 41 sickle mower parts for sale ebay - Apr 17 2023

web get the best deals for massey ferguson 41 sickle mower parts at ebay com we have a great online selection at the lowest prices with fast free shipping on many items skip to main content

massey ferguson 31 mf31 sickle bar mower operators and parts - Sep 10 2022

web massey ferguson 31 sickle mower parts manual and operators manual set fully covers all years and serials this comprehensive manual set has 80 pages combined these manuals include parts numbers exploded views parts names numerical index maintenance operations servicing instructions adjustments more this

sickle bar mower parts for sale ebay - Feb 15 2023

web massey ferguson 41 mf41 sickle bar mower parts manual catalog book exploded view

sickle sections agri supply - Jul 20 2023

web that includes john deere sickle mower parts massey ferguson sickle sections case ih sickle bar blades and more shop for sickle sections to fit massey ferguson case ih john deere and other brands

exploring the massey ferguson 41 sickle mower parts diagram - Sep 22 2023

web exploring the different parts of the massey ferguson 41 sickle mower the massey ferguson 41 sickle mower comprises several key components including the cutter bar knife head wobble drive pitman arm skid shoe and guards each part plays a crucial role in the mower s cutting action and overall functionality

mf sickle mower parts waltstractors com - Jun 07 2022

web knife clip sickle head parts mower pitman mower belt grassboard walt s tractor parts hay baler sickle mower disc mower planter and field chopper parts sickle

shop our selection of massey ferguson 41 parts and manuals - May 18 2023

web massey ferguson 41 mower wear plate 6 massey ferguson 41 sickles sickle related parts 529 056new wear plate 5 5 wear plate fits a 5 42 add to cart showing 1 to 10 of 10 1 pages some of the parts available for your massey ferguson 41 include sickles tillage misc implement

spare parts for massey ferguson sickle mower farm parts store - Aug 21 2023

web we have the massey ferguson sickle mower parts you need with fast shipping and low prices find all the models of massey ferguson and accessories in our online catalog our store carries small engine parts for all most major brands at farmpartsstore com