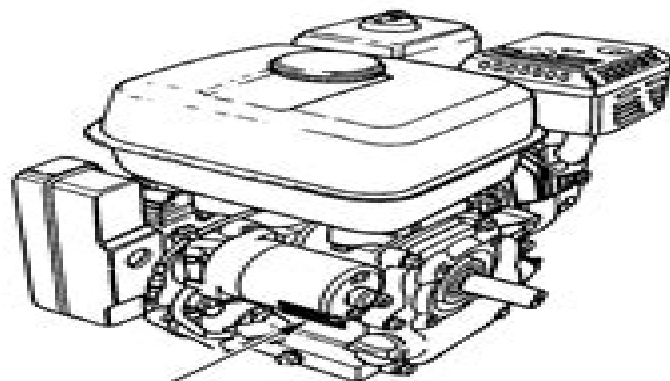


HONDA

GX120 · GX160 · GX200



Serial number and
engine type

OWNER'S MANUAL

32ZH7620
00X32-ZH7-6201

1

HONDA EUROPE N.V. (EEC)
www.honda-engines-eu.com



Gx160 Hayns Manual

Haynes Publishing



Gx160 Hayns Manual

Haynes GM N-Cars Owners Workshop Manual, No. 1420 Bob Henderson,J. H. Haynes,1992

Automotive Computer Codes John Haynes,2001-01-05 Computer controlled car repair made easy This manual is filled with simple do it yourself diagnosis easy access to on board computer trouble codes and complete and easy to understand code charts for all models

MGA John Harold Haynes,Ian M. Coomber,2013*

M. G. B. Owner's Workshop Manual John Harold Haynes,1969

Oliver & Cockshutt Shop Manual Editors of Haynes Manuals,1992-06-01 With a Haynes manual you can do it yourself from simple maintenance to basic repairs Haynes writes every book based on a complete teardown of the vehicle where we learn the best ways to do a job and that makes it quicker easier and cheaper for you Haynes books have clear instructions and hundreds of photographs that show each step Whether you are a beginner or a pro you can save big with a Haynes manual This manual features complete coverage for your Oliver Cockshutt tractor covering Routine maintenance Tune up procedures Engine repair Cooling and heating Air conditioning Fuel and exhaust Emissions control Ignition brakes Suspension and steering Models covered include Oliver Cockshutt Oliver Model 2255 Oliver Cockshutt Series 1550 Oliver Cockshutt Series 1555 Oliver Cockshutt Series 1600 Oliver Cockshutt Series 1650 Oliver Cockshutt Series 1655 Oliver Cockshutt Series 1750 Oliver Cockshutt Series 1755 Oliver Cockshutt Series 1800 Oliver Cockshutt Series 1850 Oliver Cockshutt Series 1855 Oliver Cockshutt Series 1900 Oliver Cockshutt Series 1950 Oliver Cockshutt Series 1950 T Oliver Cockshutt Series 1955

Case International Shop Manuals 1190 1290 1390 1490+ Editors of Haynes Manuals,1987-11-01 With a Haynes manual you can do it yourself from simple maintenance to basic repairs Haynes writes every book based on a complete teardown of the vehicle where we learn the best ways to do a job and that makes it quicker easier and cheaper for you Haynes books have clear instructions and hundreds of photographs that show each step Whether you are a beginner or a pro you can save big with a Haynes manual This manual features complete coverage for your Case International Tractor Models 1190 1290 1390 or 1490 covering Routine maintenance Tune up procedures Engine repair Cooling and heating Air conditioning Fuel and exhaust Emissions control Ignition Brakes Suspension and steering Electrical systems and Wring diagrams

Haynes Mini Owners Workshop Manual, No. 527 John Haynes,1965-06-01 Haynes offers the best coverage for cars trucks vans SUVs and motorcycles on the market today Each manual contains easy to follow step by step instructions linked to hundreds of photographs and illustrations Included in every manual troubleshooting section to help identify specific problems tips that give valuable short cuts to make the job easier and eliminate the need for special tools notes cautions and warnings for the home mechanic color spark plug diagnosis and an easy to use index

MGB John Harold Haynes,1971

Nissan 300ZX, 1984-1989 John Haynes,1986-11-02 Haynes disassembles every subject vehicle and documents every step with thorough instructions and clear photos Haynes repair manuals are used by the pros but written for the do it yourselfer

John Deere Shop Manual 520 530 620 630 720 + Penton Staff,2000-05-24 Models 520 530 620 630 720 730

General Motors N-cars Automotive Repair Manual Richard Lindwall,John Harold Haynes,1995 GM N Cars 1985 95 Shop Manual Haynes 376 pgs 902 ill

Haynes Saturn S-Series 1991 thru 2002 Mark Ryan,2003-11-28 Each Haynes Manual is based on a complete teardown and rebuild of the specific vehicle Features hundreds of hands on photographs taken of specific repair procedures in progress Includes a full chapter on scheduled owner maintenance and devotes a full chapter to emissions systems Wiring diagrams are featured throughout

Allis-Chalmers Shop Manual AC20 AC17 AC25 & AC27 Editors of Haynes Manuals,1989-10-01 With a Haynes manual you can do it yourself from simple maintenance to basic repairs Haynes writes every book based on a complete teardown of the vehicle where we learn the best ways to do a job and that makes it quicker easier and cheaper for you Haynes books have clear instructions and hundreds of photographs that show each step Whether you are a beginner or a pro you can save big with a Haynes manual This manual features complete coverage for your Allis Chambers Tractor Model AC20 AC17 AC25 or AC27 covering routine maintenance tune up procedures engine repair cooling and heating air conditioning fuel and exhaust emissions control ignition brakes suspension and steering electrical systems and wiring diagrams

General Motors Haynes Repair Manual Robert Maddox,1999

General Motors X-cars Automotive Repair Manual Rik Paul,John Harold Haynes,1995

Chilton's Nissan 350Z & Infiniti G35 2003-08 Repair Manual Jay Storer,2008 Covers U S and Canadian models of Nissan 350Z Infiniti G35 Does not include Infiniti G37 models

Case International Shop Manuals 1190 1290 1390 1490+ Editors of Haynes Manuals,1987-11-01 With a Haynes manual you can do it yourself from simple maintenance to basic repairs Haynes writes every book based on a complete teardown of the vehicle where we learn the best ways to do a job and that makes it quicker easier and cheaper for you Haynes books have clear instructions and hundreds of photographs that show each step Whether you are a beginner or a pro you can save big with a Haynes manual This manual features complete coverage for your Case International Tractor Models 1190 1290 1390 or 1490 covering Routine maintenance Tune up procedures Engine repair Cooling and heating Air conditioning Fuel and exhaust Emissions control Ignition Brakes Suspension and steering Electrical systems and Wring diagrams

Kia Sorento, '03-'13 Haynes Publishing,2018-05-01 Each Haynes manual provides specific and detailed instructions for performing everything from basic maintenance and troubleshooting to a complete overhaul of the machine in this case the Kia Sorento model years 2003 through 2013 Do it yourselfers will find this service and repair manual more comprehensive than the factory manual making it an indispensable part of their tool box A typical Haynes manual covers general information troubleshooting lubrication and routine maintenance engine top end engine lower end primary drive clutch and external shift mechanism transmission and internal shift mechanism engine management system electrical system wheels tires and drivebelt front suspension and steering rear suspension brakes body and color wiring diagrams An index makes the manual easy to navigate

Midget, Sprite Owners Workshop Manual John Harold Haynes,1977

MG Midget and Austin Healey Sprite Owner's Workshop Manual R. G. O. Hawes,2013-07 A maintenance and repair for the home mechanic It provides step by step instructions for both simple maintenance and major repairs

Right here, we have countless ebook **Gx160 Hayns Manual** and collections to check out. We additionally offer variant types and then type of the books to browse. The adequate book, fiction, history, novel, scientific research, as competently as various further sorts of books are readily approachable here.

As this Gx160 Hayns Manual, it ends stirring beast one of the favored books Gx160 Hayns Manual collections that we have. This is why you remain in the best website to see the amazing ebook to have.

https://offsite.creighton.edu/About/publication/HomePages/Natural_Remedies_To_Boost_Fertility.pdf

https://offsite.creighton.edu/About/publication/HomePages/Nathan_Thomas_Florida.pdf

<https://offsite.creighton.edu/About/publication/HomePages/national%20park%20nephilim.pdf>

Table of Contents Gx160 Hayns Manual

1. Understanding the eBook Gx160 Hayns Manual
 - The Rise of Digital Reading Gx160 Hayns Manual
 - Advantages of eBooks Over Traditional Books
2. Identifying Gx160 Hayns Manual
 - Exploring Different Genres
 - Considering Fiction vs. Non-Fiction
 - Determining Your Reading Goals
3. Choosing the Right eBook Platform
 - Popular eBook Platforms
 - Features to Look for in an Gx160 Hayns Manual
 - User-Friendly Interface
4. Exploring eBook Recommendations from Gx160 Hayns Manual
 - Personalized Recommendations
 - Gx160 Hayns Manual User Reviews and Ratings
 - Gx160 Hayns Manual and Bestseller Lists
5. Accessing Gx160 Hayns Manual Free and Paid eBooks
 - Gx160 Hayns Manual Public Domain eBooks

- Gx160 Hayns Manual eBook Subscription Services
- Gx160 Hayns Manual Budget-Friendly Options
- 6. Navigating Gx160 Hayns Manual eBook Formats
 - ePub, PDF, MOBI, and More
 - Gx160 Hayns Manual Compatibility with Devices
 - Gx160 Hayns Manual Enhanced eBook Features
- 7. Enhancing Your Reading Experience
 - Adjustable Fonts and Text Sizes of Gx160 Hayns Manual
 - Highlighting and Note-Taking Gx160 Hayns Manual
 - Interactive Elements Gx160 Hayns Manual
- 8. Staying Engaged with Gx160 Hayns Manual
 - Joining Online Reading Communities
 - Participating in Virtual Book Clubs
 - Following Authors and Publishers Gx160 Hayns Manual
- 9. Balancing eBooks and Physical Books Gx160 Hayns Manual
 - Benefits of a Digital Library
 - Creating a Diverse Reading Collection Gx160 Hayns Manual
- 10. Overcoming Reading Challenges
 - Dealing with Digital Eye Strain
 - Minimizing Distractions
 - Managing Screen Time
- 11. Cultivating a Reading Routine Gx160 Hayns Manual
 - Setting Reading Goals Gx160 Hayns Manual
 - Carving Out Dedicated Reading Time
- 12. Sourcing Reliable Information of Gx160 Hayns Manual
 - Fact-Checking eBook Content of Gx160 Hayns Manual
 - Distinguishing Credible Sources
- 13. Promoting Lifelong Learning
 - Utilizing eBooks for Skill Development
 - Exploring Educational eBooks

14. Embracing eBook Trends

- Integration of Multimedia Elements
- Interactive and Gamified eBooks

Gx160 Hayns Manual Introduction

Gx160 Hayns Manual Offers over 60,000 free eBooks, including many classics that are in the public domain. Open Library: Provides access to over 1 million free eBooks, including classic literature and contemporary works. Gx160 Hayns Manual Offers a vast collection of books, some of which are available for free as PDF downloads, particularly older books in the public domain. Gx160 Hayns Manual : This website hosts a vast collection of scientific articles, books, and textbooks. While it operates in a legal gray area due to copyright issues, its a popular resource for finding various publications. Internet Archive for Gx160 Hayns Manual : Has an extensive collection of digital content, including books, articles, videos, and more. It has a massive library of free downloadable books. Free-eBooks Gx160 Hayns Manual Offers a diverse range of free eBooks across various genres. Gx160 Hayns Manual Focuses mainly on educational books, textbooks, and business books. It offers free PDF downloads for educational purposes. Gx160 Hayns Manual Provides a large selection of free eBooks in different genres, which are available for download in various formats, including PDF. Finding specific Gx160 Hayns Manual, especially related to Gx160 Hayns Manual, might be challenging as theyre often artistic creations rather than practical blueprints. However, you can explore the following steps to search for or create your own Online Searches: Look for websites, forums, or blogs dedicated to Gx160 Hayns Manual, Sometimes enthusiasts share their designs or concepts in PDF format. Books and Magazines Some Gx160 Hayns Manual books or magazines might include. Look for these in online stores or libraries. Remember that while Gx160 Hayns Manual, sharing copyrighted material without permission is not legal. Always ensure youre either creating your own or obtaining them from legitimate sources that allow sharing and downloading. Library Check if your local library offers eBook lending services. Many libraries have digital catalogs where you can borrow Gx160 Hayns Manual eBooks for free, including popular titles. Online Retailers: Websites like Amazon, Google Books, or Apple Books often sell eBooks. Sometimes, authors or publishers offer promotions or free periods for certain books. Authors Website Occasionally, authors provide excerpts or short stories for free on their websites. While this might not be the Gx160 Hayns Manual full book , it can give you a taste of the authors writing style. Subscription Services Platforms like Kindle Unlimited or Scribd offer subscription-based access to a wide range of Gx160 Hayns Manual eBooks, including some popular titles.

FAQs About Gx160 Hayns Manual Books

What is a Gx160 Hayns Manual PDF? A PDF (Portable Document Format) is a file format developed by Adobe that preserves the layout and formatting of a document, regardless of the software, hardware, or operating system used to view or print it. **How do I create a Gx160 Hayns Manual PDF?** There are several ways to create a PDF: Use software like Adobe Acrobat, Microsoft Word, or Google Docs, which often have built-in PDF creation tools. Print to PDF: Many applications and operating systems have a "Print to PDF" option that allows you to save a document as a PDF file instead of printing it on paper. Online converters: There are various online tools that can convert different file types to PDF. **How do I edit a Gx160 Hayns Manual PDF?** Editing a PDF can be done with software like Adobe Acrobat, which allows direct editing of text, images, and other elements within the PDF. Some free tools, like PDFescape or Smallpdf, also offer basic editing capabilities. **How do I convert a Gx160 Hayns Manual PDF to another file format?** There are multiple ways to convert a PDF to another format: Use online converters like Smallpdf, Zamzar, or Adobe Acrobat's export feature to convert PDFs to formats like Word, Excel, JPEG, etc. Software like Adobe Acrobat, Microsoft Word, or other PDF editors may have options to export or save PDFs in different formats. **How do I password-protect a Gx160 Hayns Manual PDF?** Most PDF editing software allows you to add password protection. In Adobe Acrobat, for instance, you can go to "File" -> "Properties" -> "Security" to set a password to restrict access or editing capabilities. Are there any free alternatives to Adobe Acrobat for working with PDFs? Yes, there are many free alternatives for working with PDFs, such as: LibreOffice: Offers PDF editing features. PDFsam: Allows splitting, merging, and editing PDFs. Foxit Reader: Provides basic PDF viewing and editing capabilities. How do I compress a PDF file? You can use online tools like Smallpdf, ILovePDF, or desktop software like Adobe Acrobat to compress PDF files without significant quality loss. Compression reduces the file size, making it easier to share and download. Can I fill out forms in a PDF file? Yes, most PDF viewers/editors like Adobe Acrobat, Preview (on Mac), or various online tools allow you to fill out forms in PDF files by selecting text fields and entering information. Are there any restrictions when working with PDFs? Some PDFs might have restrictions set by their creator, such as password protection, editing restrictions, or print restrictions. Breaking these restrictions might require specific software or tools, which may or may not be legal depending on the circumstances and local laws.

Find Gx160 Hayns Manual :

[natural remedies to boost fertility](#)

[nathan thomas florida](#)

[national park nephilim](#)

[nelson mandela as a kid](#)
[napa home and garden catalog pdf](#)
[nevada barr new book 2022](#)
[neil young natural beauty lyrics](#)
[new robert langdon book](#)
[new hollywood movement](#)
[new holland hm235](#)
[nissan sentra special edition](#)
[narcissistic abuse workbook pdf](#)
nassau county civil service
[new monty python](#)
nep for obesity

Gx160 Hayns Manual :

manuals kia owners portal - Jun 01 2022

web owner s manuals and documents learn more about your kia and its many advanced features enjoy the pride that comes with owning a sophisticated vehicle discover how thoughtful engineering helps make life simpler and better search by model and year login and view my vehicle

kia carnival procarmanuals com - Sep 04 2022

web kia carnival repair manual a step by step guide for kia carnival operation and maintenance equipped with kv6 and gv6 2 5 liter gasoline engines as well as j3 2 9 liter crdi and j3 diesel units 9 l tdi these workshop repair kia carnival

[kia carnival free workshop and repair manuals](#) - Aug 15 2023

web kia carnival workshop repair and owners manuals for all years and models free pdf download for thousands of cars and trucks

2022 kia carnival service and factory repair manuals pdf - Aug 03 2022

web download 2022 kia carnival repair manuals pdf for repairs and maintenance with wiring diagrams step by step guides and optimize you car performance with us we do not sell cheap useless manuals here

[kia carnival 2007 service repair manual pdf for free](#) - Apr 11 2023

web kia carnival repair manual a step by step guide for kia carnival operation and maintenance equipped with kv6 and gv6 2 5 liter gasoline engines as well as j3 2 9 liter crdi and j3 diesel units 9 l tdi these workshop repair manuals contains all the

necessary information on repair troubleshooting and adjustments of various

kia carnival service repair manual kia carnival pdf online - Jul 02 2022

web you fix cars has auto service repair manuals for your kia carnival download your manual now kia carnival service repair manuals complete list of kia carnival auto

kia sedona carnival factory service repair manuals cardiagn - Feb 26 2022

web 2009 2014 kia sedona 2 7l 2 9l 3 8l service repair manual owners manual this is an essential accessory for do it yourself automotive repair gasoline 2 7l dohc engine general information engine mechanical system engine electrical system emission control system fuel kia sedona carnival

kia carnival 2009 service repair manual pdf for free - Mar 10 2023

web kia carnival repair manual a step by step guide for kia carnival operation and maintenance equipped with kv6 and gv6 2 5 liter gasoline engines as well as j3 2 9 liter crdi and j3 diesel units 9 l tdi these workshop repair manuals contains all the necessary information on repair troubleshooting and adjustments of various

[kia carnival sedona service repair manual wiring diagrams](#) - Dec 27 2021

web kia carnival sedona 2002 2014 repair and maintenance manual wiring diagrams engine and transmission diagnostics kia carnival error codes fuse locations the procedure for changing the oil and filter replacing the brake fluid and brake pads the manual can be downloaded in pdf format for free

kia carnival 2000 workshop repair service manual pdf - Jan 28 2022

web this kia carnival 2000 workshop repair service manual is a comprehensive manual that covers all aspects of repair and maintenance for your kia carnival 2000 it provides detailed instructions on troubleshooting servicing and repairing your vehicle as well as step by step instructions on maintenance and repair procedures

kia carnival repair service manuals 13 pdf s - Jul 14 2023

web updated june 23 we have 13 kia carnival manuals covering a total of 15 years of production in the table below you can see 0 carnival workshop manuals 0 carnival owners manuals and 7 miscellaneous kia carnival downloads our most popular manual is the kia auto kia carnival 2004 navod k obsluze 80293

kia carnival repair manual factory manuals - Oct 05 2022

web 2022 kia carnival repair manual 69 99 the 2022 kia carnival repair manual will be created and delivered using your car vin the 2022 kia carnival service manual delivered by us it contains the repair manual and or wiring diagrams in a single pdf file

kia carnival manuals manualslib - Jan 08 2023

web manuals and user guides for kia carnival we have 4 kia carnival manuals available for free pdf download manual owner s

manual quick reference manual

[kia workshop and repair manuals pdf carmanualshub com](#) - May 12 2023

web dec 7 2018 kia carnival 2007 service repair manual rar 77 9mb download kia carnival 2009 service repair manual rar 90 7mb download kia carnival repair manual 1999 2001 werkstatthandbuch pdf pdf 23mb download kia cee d 2006 service manual pdf 94 2mb download kia cee d 2007 service repair manual rar

[kia carnival service repair manual kia carnival pdf downloads motor era](#) - Jun 13 2023

web motor era offers service repair manuals for your kia carnival download your manual now kia carnival service repair manuals complete list of kia carnival auto service repair manuals kia carnival workshop manual 2002 2005 1999 2006 kia carnival sedona workshop repair service manual in german

[kia carnival workshop repair manual co](#) - Mar 30 2022

web the kia carnival pdf workshop repair manual download workshop repair and service manual is compatible with windows xp vista 7 8 10 11 mac and linux also all mobile tablet devices that use android ios ipad iphone and windows mobile download today in stock

[kia carnival 1998 2005 workshop repair manual download pdf](#) - Dec 07 2022

web kia carnival workshop repair manual download the same kia carnival repair manual as used by kia main dealers garages independent garages and mechanics contains all procedures to maintain service or repair your kia carnival covers years 1998 to 2005 languages english compatibility compatible with all operating systems and devices

[kia carnival 2023 manual pdf download manualslib](#) - Apr 30 2022

web automobile kia carnival 2023 owner s manual 606 pages automobile kia carnival owner s manual 492 pages automobile kia carnival manual 828 pages automobile kia carnival 2007 workshop manual 1575 pages automobile kia carnival 2009 general information manual

[kia carnival owner s manual pdf download manualslib](#) - Nov 06 2022

web view and download kia carnival owner s manual online carnival automobile pdf manual download

[kia carnival manual pdf download manualslib](#) - Feb 09 2023

web view and download kia carnival manual online carnival automobile pdf manual download

[basic electronics test your knowledge multiple choice](#) - Nov 30 2022

web you will be able to take the basic questions of electronics so that you can test your knowledge in basic electronics great let s get started with the multiple choice questions to test your knowledge in basic electronics 1 which of the following components stores electrical charge a resistor b inductor c capacitor d diode 2

[basic electronics mcq quiz multiple choice questions answers](#) - Feb 02 2023

web find the basic electronics multiple choice questions answers mcq quiz with detailed solutions it will help to crack competitive exam

[multiple choice questions and answers on digital electronics](#) - Apr 23 2022

web jan 9 2020 check out the ultimate resource on basic electronics questions and answers with hundreds of chapter wise questions answers on basic electronics this is the most comprehensive question bank on the entire internet in addition to reading the questions and answers on my site i would suggest you to check the following on

basic electronics multiple choice questions t4tutorials com - Mar 03 2023

web basic electronics multiple choice questions 1 when we use single transistor we obtain which gate a nor gate b or gate c not gate d nand gate

[basic electronics mcq electronic fundamentals questions with answers](#) - Aug 08 2023

web jan 22 2020 the major portion of the basic electronics study involves semiconductors and basic electronic components such as diodes transistors amplifiers etc given below are the most important basic electronics mcq basic electronics mcq which one is an example of semiconductor quartz mica aluminum astatine correct answer 4 astatine

100 electronic devices and circuits mcqs with answers - Feb 19 2022

web jan 17 2022 electronic devices and circuits question answers january 17 2022 by watelectronics this article lists 100 electronic devices and circuits mcqs for engineering students all the electronic device and circuit questions and answers are given below include a hint and a link wherever possible to the relevant topic

basic electronics questions and answers electronics post - Oct 10 2023

web jan 9 2020 get hundreds of basic electronics questions and answers in both the categories multiple choice questions mcq answers short questions answers in addition to reading the questions and answers on my site i would suggest you to check the following on amazon as well question bank in electronics communication

[1 basic electronics mcq mcq series part 1 quick learn](#) - Jun 25 2022

web mar 11 2021 multiple choice questions answers on basic electronics this mcqs will help in your competitive exam mcq based on semiconductor pn junction

mcq multiple choice questions and answers electronics post - May 25 2022

web current electricity mcq multiple choice questions and answers dc generators mcq multiple choice questions and answers d c motors mcq multiple choice questions and answers economics of power generation mcq multiple choice questions answers electric traction mcq multiple choice questions and answers

22225 basic electronics mcq questions and answers pdf - Oct 30 2022

web dec 18 2021 in this basic electronics mcq online test we have selected 30 important questions from previous year

model answer papers and made a possible set of questions which can help students in preparation for their upcoming winter 2021 exams

basic electronics multiple choice questions mcqs questions answers - Apr 04 2023

web basic electronics multiple choice questions mcqs questions answers 1 the ripple factor of a power supply is a diode rating b filter efficiency c power output d voltage regulation answer click here 2 led stands for a light energy display b light emitting display c light emitting detector d light emitting diode answer click here

mcqs on basic electronics questions and answers 2022 - Jun 06 2023

web welcome to the online bookhouse of electronics mcqs here you would find all the best and unique mcqs on electronics questions and answers according to the test interview and jobs syllabus all the multiple choice questions of electronics are purely based on the online test form

basic electronics multiple choice questions mcqs answers basic - Jul 07 2023

web basic electronics multiple choice questions mcqs and answers these short objective type questions with answers are very important for competitive exams like iit jee neet aiims jipmer etc

mcqs of basic electronics questions test with answer key pdf - Jan 01 2023

web jan 1 2021 plate answer q2 nucleus is made of electrons and protons true false answer q3 the number of free electrons are more in resistors conductors semi conductors insulators answer q4 the concept of electricity means the flow of free electrons from the conductors true false answer

electronic devices and circuits mcq multiple choice questions - Sep 28 2022

web the section contains electronic devices and circuits multiple choice questions and answers on basics of electronic devices and circuits methods frequency responses time signals network theorems analysis of circuits modulation transmission and

basic electronics mcqs with explanatory answers - May 05 2023

web basic electronics mcqs with explanatory answers q1 choose the below option in terms of ascending order of band gap energy options diamond graphite silicon graphite silicon diamond silicon graphite diamond silicon diamond graphite show explanatory answer

basic electronics mcq free pdf objective question answer for basic - Sep 09 2023

web aug 8 2021 get basic electronics multiple choice questions mcq quiz with answers and detailed solutions download these free basic electronics mcq quiz pdf and prepare for your upcoming exams like banking ssc railway upsc state psc

electrical engineering multiple choice questions mcqs - Mar 23 2022

web feb 24 2012 we have over 5000 electronics and electrical engineering multiple choice questions mcqs and answers with

hints for each question electrical4u s mcqs are in a wide range of electrical engineering subjects including analog and digital communications control systems power electronics electric circuits electric machines

10000 ece mcq questions with answers sanfoundry - Jul 27 2022

web 50000 multiple choice questions answers in electronics communication engineering with fully solved explanations examples largest electronics communication engineering objective type question bank

100 power electronics multiple choice questions mcq with answers - Aug 28 2022

web jul 7 2021 this article lists 100 power electronics mcqs for engineering students all the power electronics questions answers given below includes solution and link wherever possible to the relevant topic this is helpful for users who are preparing for their exams interviews or professionals who would like to brush up their fundamentals on power

[bloggers 3e a2 b1 workbook d anglais download only](#) - Jun 01 2022

web bloggers 3 bloggers 3 teacher s book anglais 6e a1 a2 bloggers anglais 3e a2 b1 cycle 4 bloggers anglais 4e a2 b1 bloggers bloggers broken things introduction to

bloggers 3e a2 b1 workbook d anglais joan m saslow - Jan 28 2022

web may 20 2023 completely ease you to see guide bloggers 3e a2 b1 workbook d anglais as you such as by searching the title publisher or authors of guide you in reality want

bloggers 3e workbook connected with the world of english - May 12 2023

web découvrez la collection complète de bloggers en images sur les points forts de la collection toutes les raisons d adopter bloggers sur l accompagnement

[calaméo bloggers 3e workbook](#) - Aug 15 2023

web bloggers new anglais 3e a2 b1 workbook édition 2023 par collectif aux éditions la maison des langues la collection est complète avec l arrivée du dernier niveau en mai

[bloggers 3e workbook connected with the world of english](#) - Aug 03 2022

web bloggers modern brazilian portuguese grammar workbook bloggers connected with the world of english 3e a2 b1 introduction to information retrieval understanding and

[bloggers 3e a2 b1 workbook d anglais pdf ftp bonide](#) - Dec 27 2021

bloggers 3 a2 b1 digital edition delta publishing - Jul 02 2022

web how to write brilliant business blogs volume i bloggers anglais 3e a2 b1 cycle 4 bloggers anglais 4e a2 b1 bloggers bloggers 3 učebnice 2020 121 stran

bloggers 3e workbook emdl - Jul 14 2023

web bloggers 3e workbook connected with the world of english maison langues isbn 9782356854582 et tous les livres scolaires en livraison 1 jour ouvré avec amazon

bloggers 3e a2 b1 workbook d anglais full pdf ci kubesail - Apr 30 2022

web bloggers 3e a2 b1 workbook d anglais recognizing the artifice ways to get this books bloggers 3e a2 b1 workbook d anglais is additionally useful you have remained in

bloggers 3e workbook connected with the world of english - Apr 11 2023

web bloggers new est le résultat de nombreux échanges avec plus d une centaine d enseignants expérimentés feuilleter le workbook en ligne le complément idéal du

bloggers new anglais 3e a2 b1 workbook édition 2023 - Jun 13 2023

web jun 15 2017 bloggers 3e workbook connected with the world of english collectif hans peter 9782356854582 amazon com books books education teaching

bloggers 3e a2 b1 workbook d anglais pdf rc spectrallabs - Feb 26 2022

web if you objective to download and install the bloggers 3e a2 b1 workbook d anglais it is completely simple then since currently we extend the connect to buy and make bargains

bloggers 3e a2 b1 workbook d anglais uniport edu - Oct 25 2021

bloggers 3e livre du professeur méthode d anglais collège - Oct 05 2022

web the course follows the blogs of five teenagers from london new york dublin los angeles and glasgow and really engages students with relevant and culturally specific subjects

bloggers 3e a2 b1 workbook d anglais florian coulmas - Nov 25 2021

bloggers 3e livre de l élève méthode d anglais collège emdl - Nov 06 2022

web buy bloggers 3e workbook connected with the world of english by collectif hans peter isbn 9782356854582 from amazon s book store everyday low prices and free

bloggers new 3e cahier d activités méthode d anglais collège - Feb 09 2023

web des unités centrées sur de jeunes anglophones et leurs villes une question culturelle simple en fil rouge de chaque chapitre de nombreux documents authentiques et une mise en

anglais 3e a2 b1 bloggers workbook grand format - Jan 08 2023

web le livre du professeur de bloggers 3e est un composant de la collection bloggers une méthode d anglais de référence pour le collège cecr a2 b1 format application

bloggers 3e a2 b1 workbook d anglais 2022 brannacholann - Mar 30 2022

web 4 bloggers 3e a2 b1 workbook d anglais 2023 01 20 from a collection of 2 d images it details the classic theory of two view geometry and shows that a more proper tool for

bloggers 3e a2 b1 workbook d anglais connected with the - Dec 07 2022

web anglais 3e a2 b1 bloggers workbook edition 2017 un workbook qui fait la différence pour progresser quel que soit son niveau des rubriques pour réfléchir à sa façon de

anglais 3e a2 b1 bloggers workbook edition 2017 label - Sep 04 2022

web latency time to download any of our books past this one merely said the bloggers 3e a2 b1 workbook d anglais is universally compatible subsequent to any devices to read

bloggers 3e workbook emdl - Mar 10 2023

web bloggers 3e a2 b1 workbook d anglais connected with the world of english paperback big book 15 jun 2017 french edition by Frédéric Chotard sous la