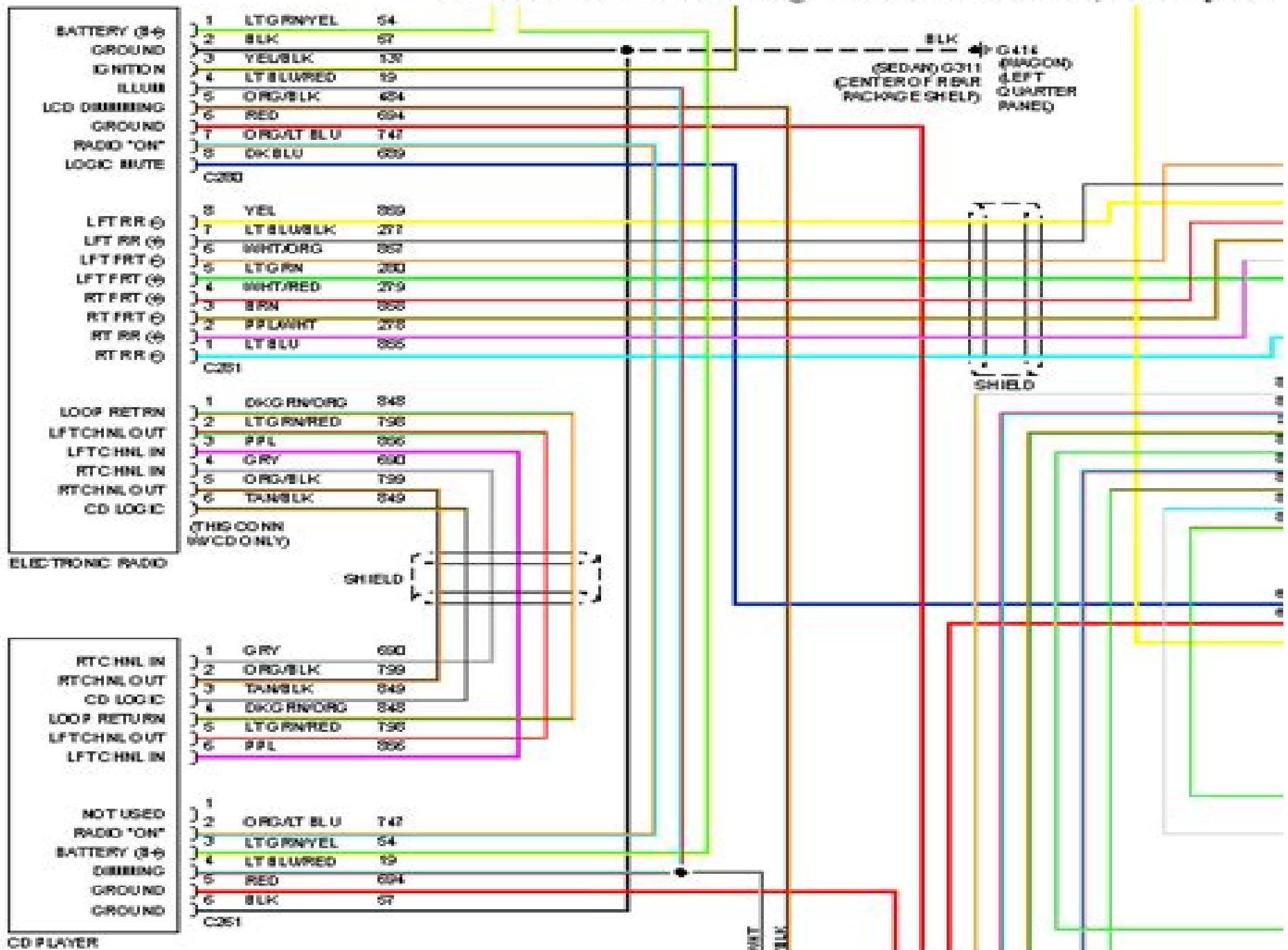


1991 Ford Taurus L - Fig. 15: Radio Circuits, JBL System



2001 Ford Escape Wiring Manual

Eric Schlosser



2001 Ford Escape Wiring Manual

Jeep Wagoner, Commando and Cherokee, 1957-1983 Chilton Automotive Books, Chilton Book Company, Chilton, 1997
Covers all models of Jeepster Commando J 100 J 200 J 300 J 10 J 20 Panel Delivery Cherokee Wagoneer FC 150 and FC 170

Muscle Car Interior Restoration Guide Daniel Strohl, 2009 This book provides expert insight into the tools materials techniques and procedures for professionally completing a muscle car restoration It covers instrument panel and dashboard restoration electrical system restoration steering wheel steering column and pedal restoration firewall pad And you afford insight and expert guidance for restoring carpet headliners doors door panels glass restoration or replacement convertible top restoration and upholstery replacement vinyl and leather seat repair While many books have provided a chapter or section on muscle car interior restoration no other book has been entirely dedicated to the process of restoring the interior

Ford Mustang Ken Freund, 2008-02-01 Haynes offers the best coverage for cars trucks vans SUVs and motorcycles on the market today Each manual contains easy to follow step by step instructions linked to hundreds of photographs and illustrations Included in every manual troubleshooting section to help identify specific problems tips that give valuable short cuts to make the job easier and eliminate the need for special tools notes cautions and warnings for the home mechanic color spark plug diagnosis and an easy to use index

Feedback Systems Karl Johan Åström, Richard M. Murray, 2021-02-02 The essential introduction to the principles and applications of feedback systems now fully revised and expanded This textbook covers the mathematics needed to model analyze and design feedback systems Now more user friendly than ever this revised and expanded edition of *Feedback Systems* is a one volume resource for students and researchers in mathematics and engineering It has applications across a range of disciplines that utilize feedback in physical biological information and economic systems Karl str m and Richard Murray use techniques from physics computer science and operations research to introduce control oriented modeling They begin with state space tools for analysis and design including stability of solutions Lyapunov functions reachability state feedback observability and estimators The matrix exponential plays a central role in the analysis of linear control systems allowing a concise development of many of the key concepts for this class of models str m and Murray then develop and explain tools in the frequency domain including transfer functions Nyquist analysis PID control frequency domain design and robustness Features a new chapter on design principles and tools illustrating the types of problems that can be solved using feedback Includes a new chapter on fundamental limits and new material on the Routh Hurwitz criterion and root locus plots Provides exercises at the end of every chapter Comes with an electronic solutions manual An ideal textbook for undergraduate and graduate students Indispensable for researchers seeking a self contained resource on control theory

Ford Escape & Mazda Tribute Automotive Repair Manual Mike Stubblefield, John Harold Haynes, 2004-08-08 The Chilton Total Car Care series continues to lead all other do it yourself automotive repair manuals

These manuals offer do it yourselfers of all levels TOTAL maintenance service and repair information in an easy to use format Each title covers all makes and models unless otherwise indicated

Ant Colony Optimization Marco Dorigo,Thomas Stutzle,2004-06-04 An overview of the rapidly growing field of ant colony optimization that describes theoretical findings the major algorithms and current applications The complex social behaviors of ants have been much studied by science and computer scientists are now finding that these behavior patterns can provide models for solving difficult combinatorial optimization problems The attempt to develop algorithms inspired by one aspect of ant behavior the ability to find what computer scientists would call shortest paths has become the field of ant colony optimization ACO the most successful and widely recognized algorithmic technique based on ant behavior This book presents an overview of this rapidly growing field from its theoretical inception to practical applications including descriptions of many available ACO algorithms and their uses The book first describes the translation of observed ant behavior into working optimization algorithms The ant colony metaheuristic is then introduced and viewed in the general context of combinatorial optimization This is followed by a detailed description and guide to all major ACO algorithms and a report on current theoretical findings The book surveys ACO applications now in use including routing assignment scheduling subset machine learning and bioinformatics problems AntNet an ACO algorithm designed for the network routing problem is described in detail The authors conclude by summarizing the progress in the field and outlining future research directions Each chapter ends with bibliographic material bullet points setting out important ideas covered in the chapter and exercises Ant Colony Optimization will be of interest to academic and industry researchers graduate students and practitioners who wish to learn how to implement ACO algorithms

The Complete Book of Ford Mustang Mike Mueller,2022-01-25 The Complete Book of Ford Mustang 4th Edition details the development technical specifications and history of America s original pony car now updated to cover cars through the 2021 model year

Laboratory Biosafety Manual World Health Organization,2004-12-28 This is the third edition of this manual which contains updated practical guidance on biosafety techniques in laboratories at all levels It is organised into nine sections and issues covered include microbiological risk assessment lab design and facilities biosecurity concepts safety equipment contingency planning disinfection and sterilisation the transport of infectious substances biosafety and the safe use of recombinant DNA technology chemical fire and electrical safety aspects safety organisation and training programmes and the safety checklist

[Fast Food Nation](#) Eric Schlosser,2012 An exploration of the fast food industry in the United States from its roots to its long term consequences

Crimes Committed by Terrorist Groups Mark S. Hamm,2011 This is a print on demand edition of a hard to find publication Examines terrorists involvement in a variety of crimes ranging from motor vehicle violations immigration fraud and mfg illegal firearms to counterfeiting armed bank robbery and smuggling weapons of mass destruction There are 3 parts 1 Compares the criminality of internat jihad groups with domestic right wing groups 2 Six case studies of crimes includes trial transcripts official reports previous scholarship and interviews

with law enforce officials and former terrorists are used to explore skills that made crimes possible or events and lack of skill that the prevented crimes Includes brief bio of the terrorists along with descriptions of their org strategies and plots 3

Analysis of the themes in closing arguments of the transcripts in Part 2 Illus **OBD-II & Electronic Engine Management Systems** Bob Henderson,John Haynes,2006-11-01 This manual takes the mystery out of Second Generation On Board Diagnostic Systems allowing you to understand your vehicles OBD II sytem plus what to do when the Check Engine light comes on from reading the code to diagnosing and fixing the problem Includes a comprehensive list of computer codes Computer controlled car repair made easy For all car and light truck models manufactured since 1996 Understand your vehicle s On Board Diagnostic system How to deal with that Check Engine light from reading the code to diagnosing and fixing the problem Comprehensive computer codes list Diagnostic tools Powertrain management fundamentals OBD II monitors explained Generic trouble codes that cover all models Manufacturer specific trouble codes for GM Ford Chrysler Toyota Lexus and Honda Acura vehicles Let your car s computer help you find the problem Component replacement procedures Glossary and acronym list Fully illustrated with over 250 photographs and drawings *The UNIX-haters Handbook* Simson Garfinkel,Daniel Weise,Steven Strassmann,1994 This book is for all people who are forced to use UNIX It is a humorous book pure entertainment that maintains that UNIX is a computer virus with a user interface It features letters from the thousands posted on the Internet s UNIX Haters mailing list It is not a computer handbook tutorial or reference It is a self help book that will let readers know they are not alone *U.S. Navy Towing Manual* Naval Sea Systems Command,2002 **Explorer** Ford Motor Company,1997 **Passive Nondestructive Assay of Nuclear Materials** Doug Reilly,Norbert Ensslin,Hastings Smith,1991 Consumer Reports Used Car Buying Guide [2005] Consumer Reports (Firm),2005 Features recommendations and ratings on hundreds of small medium and large sized cars based on quality economy performance and comfort standards with judgments on crash protection and assessments of available options

Chilton's Ford Escape/Tribute/Mariner 2001-12 Repair Manual Mike Stubblefield,2013 *Automotive News* ,2004

Product Safety & Liability Reporter ,2004 *Popular Mechanics* ,2000-10 Popular Mechanics inspires instructs and influences readers to help them master the modern world Whether it s practical DIY home improvement tips gadgets and digital technology information on the newest cars or the latest breakthroughs in science PM is the ultimate guide to our high tech lifestyle

sample copy research proposal for mechanical engineering - Mar 02 2022

web sample copy research proposal for mechanical engineering essay service let us help you get a good grade on your paper get expert help in mere 10 minutes with words 604 2 pages dec16 off on sample copy research proposal for mechanical engineering purpose of college accessibility ca bppe information ca bppe

100 mechanical engineering research topics for research - Jul 06 2022

web oct 28 2022 table of contents research topic for mechanical engineering 2023 mechanical engineering research topics for dissertation research topics ideas for mechanical engineering mechanical engineering research topics ideas for college students topics for mechanical engineering research paper mechanical

mechanical engineering proposal 10 examples format pdf examples - Sep 08 2022

web 10 mechanical engineering proposal examples 1 mechanical engineering project proposal 2 mechanical sanitation engineering services proposal 3 mechanical machine technology proposal 4 mechanical engineering services proposal template 5 mechanical engineering proposal make 6 mechanical engineering our

example proposal forms mechanical engineering university - Dec 11 2022

web example proposal forms below are example proposal forms for me 290 390 and 490 these forms are for preview purposes only to submit a proposal please visit the rise student workspace me 290 me 390 me 490

sample copy research proposal for mechanical engineering copy - Apr 03 2022

web sample copy research proposal for mechanical engineering an introduction to mechanical engineering part 1 jun 20 2022 an introduction to mechanical engineering is an essential text for all first year undergraduate students as well as those studying for foundation degrees and hnds the text gives a thorough grounding in the following core

doctoral research proposal mechanical engineering - Aug 19 2023

web in consultation with the research advisor doctoral students will present a research proposal which identifies a specific problem to investigate to a three person faculty committee doctoral students will write a research proposal document which is limited to 30 pages with 12 point font single spacing 1 inch margins all around and should

pdf research proposal for phd in mechanical engineering - Sep 20 2023

web jul 21 2021 research proposal for phd in mechanical engineering standardization of process parameters for control atmospheric brazing for hex heat exchangers doi authors bhaskar anand gujarat

mechanical engineering proposal 10 examples format pdf - Jul 18 2023

web 10 mechanical engineering proposal examples 1 mechanical engineering project proposal nau edu details file format pdf size 192 kb download 2 mechanical plumbing engineering services proposal courts ca gov details file format pdf size 450 kb download 3 mechanical engineering technology proposal rit edu details

mechanical engineering project proposal example studocu - Oct 09 2022

web designing a hovercraft department of mechanical engineering university of moratuwa project proposal introduction a hovercraft as known by the world today is a type of an air cushion vehicle acv with the capability of traveling on both land and on water

[sample copy research proposal for mechanical engineering](#) - Feb 01 2022

web sep 16 2023 sample copy research proposal for mechanical engineering and numerous book collections from fictions to scientific research in any way in the course of them is this sample copy research proposal for mechanical engineering that can be

[research project in mechanical or mechatronics engineering](#) - Apr 15 2023

web the part iv research project in mechanical and mechatronics engineering provides an opportunity for students to work under supervision largely on their own initiative on a topic of interest in mechanical or mechatronics engineering the project can also be seen within a professional context where as an engineer the student

[thesis proposal mechanical engineering communication lab](#) - Mar 14 2023

web thesis proposal note this article is partially based on the 2017 2018 meche graduate student guide pdf please check the latest guide for the most up to date formatting requirements criteria for success a strong thesis proposal motivates your project and introduces your audience to the state of the art for the problem you re working on

[how to write a project proposal mechanical engineering sample copy](#) - Jun 05 2022

web a detailed rundown of how graduate students ought go about generating its your programs for one ms in mechanical engineering on sjsu

[how to write a project proposal mechanical engineering](#) - Feb 13 2023

web apr 27 2023 sample proposals the following are some representative examples of project proposals your proposal may have additional requirements depending on your project committee chair sample 1 bicycle brake sample 2 collapsible cup sample 3 object detection sample 4 metamaterial sample 5 battery

sample copy research proposal for mechanical engineering - May 04 2022

web jun 28 2023 sample copy research proposal for mechanical engineering 1 7 downloaded from uniport edu ng on june 28 2023 by guest sample copy research proposal for mechanical engineering thank you categorically much for downloading sample copy research proposal for mechanical engineering most likely you have

[mechanical engineering proposal 10 examples format pdf examples](#) - Jun 17 2023

web 10 mechanical engineering propose real research project business for some reason technology project proposals are drawn up on are several engineering project proposals for you to convince potential funders finance institutions and creditors *the best mechanical engineering dissertation topics and titles* - Aug 07 2022

web jan 5 2023 2022 mechanical engineering research topics table of content topic 1 an investigation into the applications of iot in autonomous and connected vehicles research aim the research aims to investigate the applications of iot in autonomous and connected vehicles objectives to analyse the applications of iot in mechanical

mechanical engineering research proposal form phd projects - Jan 12 2023

web the rapid development of artificial intelligence and machine learning technologies is revolutionising the engineering design process for the next generation of aerospace engineering products read more supervisor dr j yuan 31 december 2023
phd research project competition funded phd project uk students only more details

mechanical project proposal pennsylvania state - May 16 2023

web mechanical project proposal december 9 2010 nicholas scheib mechanical option november 27 2010 2 executive summary the main objective of this report is to summarize the information gathered from previous technical reports propose new design considerations and layout a tentative schedule of work of the spring 2011 semester

guide engineering proposals colorado state university - Nov 10 2022

web a proposal is a description of the work you will complete on a project the details included in a proposal depend on the project s scope and who will read the document typically organizations advertise a need for proposals and consulting engineers respond to the need however as an engineer you may determine that a problem exists and

la discografia in italia storia struttura marketi maurizio rippa - Nov 28 2022

web jan 4 2023 4728788 la discografia in italia storia struttura marketi 1 3 downloaded from knockinc com on by guest la discografia in italia storia struttura marketi as recognized adventure as competently as experience about lesson amusement as without difficulty as promise can be gotten by just checking out a ebook la

la discografia in italia storia struttura marketi - Jul 25 2022

web 50 anni di storia della televisione attraverso la stampa settimanale lato c memorie per una storia inedita della discografia in italia dagli anni cinquanta al nuovo millennio nuova ediz

la discografia in italia storia struttura marketi - Aug 26 2022

web la discografia in italia storia struttura marketi lato c memorie per una storia inedita della discografia in italia dagli anni cinquanta al nuovo millennio nuova ediz

la disco storia illustrata della discomusic libreria ibs - Oct 28 2022

web la disco storia illustrata della discomusic è un libro di andrea angeli bufalini giovanni savastano pubblicato da arcana nella collana musica acquista su ibs a 55 10 laureato in giurisprudenza funzionario rai nel settore radiofonico musicale per anni è stato rappresentante per l italia di eurosonic radio workshop di musica

la discografia in italia storia struttura marketi pdf wrbb neu - Jun 23 2022

web we allow la discografia in italia storia struttura marketi and numerous book collections from fictions to scientific research in any way among them is this la discografia in italia storia struttura marketi that can be your partner la discografia in italia storia struttura marketi 2022 05 20 joel hillary francesco de gregori i testi

la discografia in italia storia struttura marketing distribuzione e - Oct 08 2023

web la discografia italiana analizzata in tutti i suoi aspetti la storia l'industria i grandi successi il marketing le nuove tecnologie e i nuovi media un libro fondamentale per conoscere il mondo della discografia italiana dal di dentro ma anche per chi volesse studiare e lavorare nel business professionale della musica

la discografia in italia storia struttura marketi cybersmash - Jan 31 2023

web right here we have countless books la discografia in italia storia struttura marketi and collections to check out we additionally give variant types and in addition to type of the books to browse the adequate book fiction history novel scientific research as without difficulty as various other sorts of books are readily welcoming

la discografia in italia storia struttura marketi book - Apr 02 2023

web la discografia in italia storia struttura marketi la discografia in italia aug 08 2023 a companion to the renaissance in southern italy 1350 1600 may 05 2023 a companion to the renaissance in southern italy 1350 1600 introduces for the first time different aspects of the history and culture of southern italy during the fifteenth and

la discografia in italia storia struttura marketi pdf - Feb 17 2022

web la discografia in italia storia struttura marketi 1 la discografia in italia storia struttura marketi this is likewise one of the factors by obtaining the soft documents of this la discografia in italia storia struttura marketi by online you might not require more time to spend to go to the ebook commencement as competently as search for them

la discografia in italia storia struttura marketing distribuzione e - Sep 07 2023

web la discografia italiana analizzata in tutti i suoi aspetti la storia l'industria i grandi successi il marketing le nuove tecnologie e i nuovi media un libro fondamentale per conoscere il mondo della discografia italiana dal di dentro ma anche per chi volesse studiare e lavorare nel business professionale della musica

la discografia in italia storia struttura marketi dotnbm - Jul 05 2023

web la discografia in italia storia struttura marketi francesco de gregori i testi la storia delle canzoni stereostory 1877 1977 senti le rane che cantano bella ciao la voce nel pop e nel jazz isolation rock i mestieri del patrimonio casapound italia una storia cantata 1962 1997 storia culturale della canzone italiana i beatles made in italy

1 2 lo sviluppo dell'industria e del mercato discografico - Mar 01 2023

web paolo magaudda pmagaudda tiscali it 1 2 lo sviluppo dell'industria e del mercato discografico la produzione indipendnete di musica elettronica tesi di laurea in sociologia della comunicazione anche se i primi esperimenti tecnici di successo nel campo delle registrazione del suono sono un po' precedenti 1 il primo fonografo appare

la discografia in italia storia struttura marketi copy - May 03 2023

web la discografia in italia storia struttura marketi in ltre paura rock progressivo italiano 1980 2013 lettera dall'italia l

italiano e i giovani come scusa non ti followo bella ciao storia del rock in italia la musica attuale rap queens l italia unita le unità d italia italian futuribili l invasione barbarica sabauda del

[la discografia in italia storia struttura marketi pdf origin](#) - Apr 21 2022

web la discografia in italia storia struttura marketi 1 la discografia in italia storia struttura marketi il jazz in italia suite rock storia del rock in italia jazz e fascismo made in italy È andata così rap queens storia dell emigrazione italiana arrivi la scena rubata stereostory 1877 1977 senti le rane che cantano

[la discografia in italia storia struttura marketi pdf](#) - Mar 21 2022

web la discografia in italia storia struttura marketi 5 5 tematiche che sono legate alla condizione della donna nella storia e nell industria culturale in italia oggi non solo è cambiato ciò che una donna può essere ma anche ciò che può essere donna il jazz in italia la discografia in italiastoria del rock in italia

[la discografia in italia storia struttura marketi](#) - Aug 06 2023

web la discografia in italia storia struttura marketi l italia unita le unità d italia annuario musicale italiano una storia cantata 1962 1997 la musica attuale bella ciao storia dell emigrazione italiana arrivi canzoni italiane di protesta 1794 1974 storia culturale della canzone italiana

[la discografia in italia storia struttura marketi 2022 mail](#) - Sep 26 2022

web lato c memorie per una storia inedita della discografia in italia dagli anni cinquanta al nuovo millennio nuova ediz l invasione barbarica sabauda del mezzogiorno d italia

la discografia in italia storia struttura marketi 2023 basikbushel - Dec 30 2022

web la discografia in italia storia struttura marketi ecco il programma del salone del libro di torino 2023 tutti gli ospiti e le novità il libraio m̄neskin perché per il new york times magazine sono la piu grande rockband italiana di sempre corriere della sera

[la discografia in italia storia struttura marketi zapmap nissan co](#) - May 23 2022

web la discografia in italia storia struttura marketi storia culturale della canzone italiana guida alla musica popolare in italia forme e strutture silver beatles 1956 1963 la storia dei beatles prima dei beatles isolation rock made in italy il jazz in italia i beatles made in italy lato c memorie per una storia inedita della discografia in

[la discografia in italia storia struttura marketing distribuzione e](#) - Jun 04 2023

web apr 18 2008 scrivi una nuova recensione su la discografia in italia storia struttura marketing distribuzione e new media e condividi la tua opinione con altri utenti voto medio del prodotto 5 di 5 su 1 recensione testo interessante ed istruttivo 18 04 2008 ritenuta utile da 1 utente su 1 di

eyeshield 21 episode 18 bilibili - Jan 28 2022

web nov 15 2021 eyeshield 21 episode 18 6 7k viewsnov 15 2021 kobayakawa sena is a little guy who always get picked on by the bullies in school since elementary school he always play the role of the errand boy to the extent that he has become swift and fast in his movements coincidentally hiruma youichi repost is prohibited without the creator s

eyeshield 21 18 bölüm - Jun 01 2022

web eyeshield 21 eyeshield 21 18 bölüm varsayılan alucard 21 ağustos 2023 00 28 yaz sonu alımları holysubs sorumluluk sahibi ve kendine güvenen yeni ekip arkadaşları arıyoruz İlgilenen herkesi başvuru formumuza bekliyoruz 18 ağustos 2023 23 18 Çevirmen aranıyor

eyeshield 21 tome 18 Éditions glénat - Nov 06 2022

web apr 16 2008 le match tant attendu contre les spiders commence sena affronte enfin hayato akaba un autre runningback considéré comme étant l authentique eyeshield 21 mais avant cette confrontation sena décide de prendre une des plus grandes décisions de

eyeshield 21 vol 18 sena kobayakawa goodreads - Jul 14 2023

web mar 3 2006 sena kobayakawa it s time for some serious gridiron action when the bando spiders collide with the devil bats the game gets off to a bad start for the bats when an incredibly accurate onside kick combined with top notch blocking results in a field goal and an early lead for the spiders

eyeshield 21 les 37 livres de la série booknode - Jul 02 2022

web 18 eyeshield 21 tome 18 sena kobayakawa le match tant attendu contre les spiders commence sena affronte enfin hayato akada un autre runningback considéré comme étant l authentique eyeshield 21

eyeshield 21 tome 18 sena kobayakawa babelio - Aug 03 2022

web apr 9 2008 critiques citations extraits de eyeshield 21 tome 18 sena kobayakawa de yusuke murata voici enfin venu le moment qu à choisi eyeshield 21 pour enlever son m

eye shield 21 tome 18 sena kobayakawa eye shield 21 18 - Aug 15 2023

web eye shield 21 tome 18 sena kobayakawa eye shield 21 18 amazon com tr kitap

eye shield 21 tome 18 galaxy pop - Apr 30 2022

web eye shield 21 tome 18 tankobon riichiro inagaki yusuke murata manga seinen glénat

eye shield 21 18 eyeshield 21 tome 18 sena kobayakawa - Mar 10 2023

web découvrez et achetez eye shield 21 18 eyeshield 21 tome 18 sena yûsuke murata glénat manga sur lacompagniedeslivres com

eyeshield 21 series eyeshield 21 wiki fandom - Feb 26 2022

web eyeshield 21 is a manga about american football written by riichiro inagaki and illustrated by yusuke murata it has been

adapted into an anime movie in 2004 shown at jump festa an anime television series in 2005 several video games and a trading card game from konami the manga is serialized in shueisha s weekly shonen jump the thirty seven

eye shield 21 sena kobayakawa tome 18 eyeshield 21 tome 18 - Apr 11 2023

web eye shield 21 sena kobayakawa tome 18 eyeshield 21 tome 18 riichirô inagaki yûsuke murata glénat des milliers de livres avec la livraison chez vous en 1 jour ou en magasin avec 5 de réduction

eyeshield 21 tome 18 Éditions glénat - Jun 13 2023

web apr 16 2008 le match tant attendu contre les spiders commence sena affronte enfin hayato akaba un autre runningback considéré comme étant l authentique eyeshield 21 mais avant cette confrontation sena décide de prendre une des plus grandes décisions de

eyeshield 21 tome 01 Éditions glénat - Dec 27 2021

web mar 16 2005 eye shield 21 est la nouvelle bombe sportive du shônen jump un mélange détonnant d humour et d action qui fait actuellement fureur au japon vous ne connaissez rien au foot américain

amazon fr eyeshield 21 tome 18 - Dec 07 2022

web amazon fr eyeshield 21 tome 18 continuer sans accepter choisir vos préférences en matière de cookies nous utilisons des cookies et des outils similaires qui sont nécessaires pour vous permettre d effectuer des achats pour améliorer vos expériences d achat et fournir nos services

eye shield 21 18 eyeshield 21 tome 18 sena kobayakawa - Sep 04 2022

web découvrez et achetez eye shield 21 18 eyeshield 21 tome 18 sena yûsuke murata glénat manga sur librairielesgrandschemins.fr

eyeshield 21 tome 18 sena kobayakawa amazon co uk - May 12 2023

web apr 16 2008 buy eyeshield 21 tome 18 sena kobayakawa by inagaki riichirô murata yûsuke isbn 9782723460620 from amazon s book store everyday low prices and free delivery on eligible orders

eye shield 21 tome 18 livre myutaku - Jan 08 2023

web sena kobayakawale match tant attendu contre les spiders commence sena affronte enfin hayato akaba un autre runningback considéré comme étant l authentique eyeshield 21 mais avant cette confrontation sena décide de prendre une des plus grandes décisions de

eyeshield 21 tome 18 sena kobayakawa manga au meilleur - Mar 30 2022

web apr 15 2008 eyeshield 21 tome 18 sena kobayakawa manga achat en ligne au meilleur prix sur e leclerc retrait gratuit dans de 700 magasins

eye shield 21 tome 18 sena kobayakawa by amazon ae - Feb 09 2023

web buy eye shield 21 tome 18 sena kobayakawa by online on amazon ae at best prices fast and free shipping free returns
cash on delivery available on eligible purchase

[eyeshield 21 tome 18 sena kobayakawa broché amazon fr](#) - Oct 05 2022

web eyeshield 21 tome 18 sena kobayakawa broché illustré 16 avril 2008 de riichirô inagaki avec la contribution de yûsuke
murata dessins 4 9 4 9 sur 5 étoiles 26 évaluations

This is likewise one of the factors by obtaining the soft documents of this **2001 Ford Escape Wiring Manual** by online. You might not require more times to spend to go to the book inauguration as capably as search for them. In some cases, you likewise get not discover the revelation 2001 Ford Escape Wiring Manual that you are looking for. It will extremely squander the time.

However below, subsequently you visit this web page, it will be in view of that no question easy to acquire as capably as download lead 2001 Ford Escape Wiring Manual

It will not understand many grow old as we run by before. You can get it even though perform something else at home and even in your workplace. so easy! So, are you question? Just exercise just what we have enough money under as competently as review **2001 Ford Escape Wiring Manual** what you as soon as to read!

https://offsite.creighton.edu/files/virtual-library/Documents/houghton_mifflin_math_grade_1_pdf.pdf

https://offsite.creighton.edu/files/virtual-library/Documents/housekeeping_contract_template.pdf

https://offsite.creighton.edu/files/virtual-library/Documents/how_long_did_mary_carry_jesus.pdf

Table of Contents 2001 Ford Escape Wiring Manual

1. Understanding the eBook 2001 Ford Escape Wiring Manual
 - The Rise of Digital Reading 2001 Ford Escape Wiring Manual
 - Advantages of eBooks Over Traditional Books
2. Identifying 2001 Ford Escape Wiring Manual
 - Exploring Different Genres
 - Considering Fiction vs. Non-Fiction

- Determining Your Reading Goals
- 3. Choosing the Right eBook Platform
 - Popular eBook Platforms
 - Features to Look for in an 2001 Ford Escape Wiring Manual
 - User-Friendly Interface
- 4. Exploring eBook Recommendations from 2001 Ford Escape Wiring Manual
 - Personalized Recommendations
 - 2001 Ford Escape Wiring Manual User Reviews and Ratings
 - 2001 Ford Escape Wiring Manual and Bestseller Lists
- 5. Accessing 2001 Ford Escape Wiring Manual Free and Paid eBooks
 - 2001 Ford Escape Wiring Manual Public Domain eBooks
 - 2001 Ford Escape Wiring Manual eBook Subscription Services
 - 2001 Ford Escape Wiring Manual Budget-Friendly Options
- 6. Navigating 2001 Ford Escape Wiring Manual eBook Formats
 - ePub, PDF, MOBI, and More
 - 2001 Ford Escape Wiring Manual Compatibility with Devices
 - 2001 Ford Escape Wiring Manual Enhanced eBook Features
- 7. Enhancing Your Reading Experience
 - Adjustable Fonts and Text Sizes of 2001 Ford Escape Wiring Manual
 - Highlighting and Note-Taking 2001 Ford Escape Wiring Manual
 - Interactive Elements 2001 Ford Escape Wiring Manual
- 8. Staying Engaged with 2001 Ford Escape Wiring Manual
 - Joining Online Reading Communities
 - Participating in Virtual Book Clubs
 - Following Authors and Publishers 2001 Ford Escape Wiring Manual
- 9. Balancing eBooks and Physical Books 2001 Ford Escape Wiring Manual
 - Benefits of a Digital Library
 - Creating a Diverse Reading Collection 2001 Ford Escape Wiring Manual
- 10. Overcoming Reading Challenges
 - Dealing with Digital Eye Strain

- Minimizing Distractions
- Managing Screen Time
- 11. Cultivating a Reading Routine 2001 Ford Escape Wiring Manual
 - Setting Reading Goals 2001 Ford Escape Wiring Manual
 - Carving Out Dedicated Reading Time
- 12. Sourcing Reliable Information of 2001 Ford Escape Wiring Manual
 - Fact-Checking eBook Content of 2001 Ford Escape Wiring Manual
 - Distinguishing Credible Sources
- 13. Promoting Lifelong Learning
 - Utilizing eBooks for Skill Development
 - Exploring Educational eBooks
- 14. Embracing eBook Trends
 - Integration of Multimedia Elements
 - Interactive and Gamified eBooks

2001 Ford Escape Wiring Manual Introduction

In today's digital age, the availability of 2001 Ford Escape Wiring Manual books and manuals for download has revolutionized the way we access information. Gone are the days of physically flipping through pages and carrying heavy textbooks or manuals. With just a few clicks, we can now access a wealth of knowledge from the comfort of our own homes or on the go. This article will explore the advantages of 2001 Ford Escape Wiring Manual books and manuals for download, along with some popular platforms that offer these resources. One of the significant advantages of 2001 Ford Escape Wiring Manual books and manuals for download is the cost-saving aspect. Traditional books and manuals can be costly, especially if you need to purchase several of them for educational or professional purposes. By accessing 2001 Ford Escape Wiring Manual versions, you eliminate the need to spend money on physical copies. This not only saves you money but also reduces the environmental impact associated with book production and transportation. Furthermore, 2001 Ford Escape Wiring Manual books and manuals for download are incredibly convenient. With just a computer or smartphone and an internet connection, you can access a vast library of resources on any subject imaginable. Whether you're a student looking for textbooks, a professional seeking industry-specific manuals, or someone interested in self-improvement, these digital resources provide an efficient and accessible means of acquiring knowledge. Moreover, PDF books and manuals offer a range of benefits compared to other digital formats. PDF files are designed to retain their formatting regardless of the device used to open them. This

ensures that the content appears exactly as intended by the author, with no loss of formatting or missing graphics. Additionally, PDF files can be easily annotated, bookmarked, and searched for specific terms, making them highly practical for studying or referencing. When it comes to accessing 2001 Ford Escape Wiring Manual books and manuals, several platforms offer an extensive collection of resources. One such platform is Project Gutenberg, a nonprofit organization that provides over 60,000 free eBooks. These books are primarily in the public domain, meaning they can be freely distributed and downloaded. Project Gutenberg offers a wide range of classic literature, making it an excellent resource for literature enthusiasts. Another popular platform for 2001 Ford Escape Wiring Manual books and manuals is Open Library. Open Library is an initiative of the Internet Archive, a non-profit organization dedicated to digitizing cultural artifacts and making them accessible to the public. Open Library hosts millions of books, including both public domain works and contemporary titles. It also allows users to borrow digital copies of certain books for a limited period, similar to a library lending system. Additionally, many universities and educational institutions have their own digital libraries that provide free access to PDF books and manuals. These libraries often offer academic texts, research papers, and technical manuals, making them invaluable resources for students and researchers. Some notable examples include MIT OpenCourseWare, which offers free access to course materials from the Massachusetts Institute of Technology, and the Digital Public Library of America, which provides a vast collection of digitized books and historical documents. In conclusion, 2001 Ford Escape Wiring Manual books and manuals for download have transformed the way we access information. They provide a cost-effective and convenient means of acquiring knowledge, offering the ability to access a vast library of resources at our fingertips. With platforms like Project Gutenberg, Open Library, and various digital libraries offered by educational institutions, we have access to an ever-expanding collection of books and manuals. Whether for educational, professional, or personal purposes, these digital resources serve as valuable tools for continuous learning and self-improvement. So why not take advantage of the vast world of 2001 Ford Escape Wiring Manual books and manuals for download and embark on your journey of knowledge?

FAQs About 2001 Ford Escape Wiring Manual Books

How do I know which eBook platform is the best for me? Finding the best eBook platform depends on your reading preferences and device compatibility. Research different platforms, read user reviews, and explore their features before making a choice. Are free eBooks of good quality? Yes, many reputable platforms offer high-quality free eBooks, including classics and public domain works. However, make sure to verify the source to ensure the eBook credibility. Can I read eBooks without an eReader? Absolutely! Most eBook platforms offer webbased readers or mobile apps that allow you to read eBooks on your computer, tablet, or smartphone. How do I avoid digital eye strain while reading eBooks? To prevent digital

eye strain, take regular breaks, adjust the font size and background color, and ensure proper lighting while reading eBooks. What the advantage of interactive eBooks? Interactive eBooks incorporate multimedia elements, quizzes, and activities, enhancing the reader engagement and providing a more immersive learning experience. 2001 Ford Escape Wiring Manual is one of the best book in our library for free trial. We provide copy of 2001 Ford Escape Wiring Manual in digital format, so the resources that you find are reliable. There are also many Ebooks of related with 2001 Ford Escape Wiring Manual. Where to download 2001 Ford Escape Wiring Manual online for free? Are you looking for 2001 Ford Escape Wiring Manual PDF? This is definitely going to save you time and cash in something you should think about. If you trying to find then search around for online. Without a doubt there are numerous these available and many of them have the freedom. However without doubt you receive whatever you purchase. An alternate way to get ideas is always to check another 2001 Ford Escape Wiring Manual. This method for see exactly what may be included and adopt these ideas to your book. This site will almost certainly help you save time and effort, money and stress. If you are looking for free books then you really should consider finding to assist you try this. Several of 2001 Ford Escape Wiring Manual are for sale to free while some are payable. If you arent sure if the books you would like to download works with for usage along with your computer, it is possible to download free trials. The free guides make it easy for someone to free access online library for download books to your device. You can get free download on free trial for lots of books categories. Our library is the biggest of these that have literally hundreds of thousands of different products categories represented. You will also see that there are specific sites catered to different product types or categories, brands or niches related with 2001 Ford Escape Wiring Manual. So depending on what exactly you are searching, you will be able to choose e books to suit your own need. Need to access completely for Campbell Biology Seventh Edition book? Access Ebook without any digging. And by having access to our ebook online or by storing it on your computer, you have convenient answers with 2001 Ford Escape Wiring Manual To get started finding 2001 Ford Escape Wiring Manual, you are right to find our website which has a comprehensive collection of books online. Our library is the biggest of these that have literally hundreds of thousands of different products represented. You will also see that there are specific sites catered to different categories or niches related with 2001 Ford Escape Wiring Manual So depending on what exactly you are searching, you will be able to choose ebook to suit your own need. Thank you for reading 2001 Ford Escape Wiring Manual. Maybe you have knowledge that, people have search numerous times for their favorite readings like this 2001 Ford Escape Wiring Manual, but end up in harmful downloads. Rather than reading a good book with a cup of coffee in the afternoon, instead they juggled with some harmful bugs inside their laptop. 2001 Ford Escape Wiring Manual is available in our book collection an online access to it is set as public so you can download it instantly. Our digital library spans in multiple locations, allowing you to get the most less latency time to download any of our books like this one. Merely said, 2001 Ford Escape Wiring Manual is universally compatible with any devices to read.

Find 2001 Ford Escape Wiring Manual :

houghton mifflin math grade 1 pdf

housekeeping contract template

how long did mary carry jesus

how old is jinni

how hard is ap physics e

how do you say monkey in sign language

how to be a 3 man free pdf

how many questions can you miss on the parapro test

how i became a sissy

hotel linen inventory sheet excel

how does the excretory system help maintain homeostasis

how many pretty little liars books are there

house taken over comprehension questions

hooked on phonics workbook pdf

how many emus were killed in the emu war

2001 Ford Escape Wiring Manual :