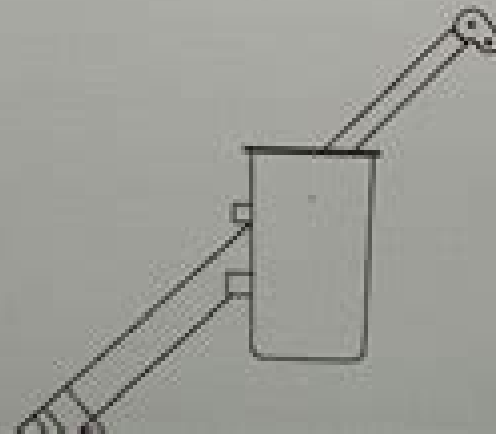


# TEREX TELELECT DIGGER DERRICK

## MAINTENANCE MANUAL

*This Maintenance Manual MUST BE READ prior to operating your Digger Derrick.*



# Terex Telelect Manual

**Lauren Gardner**



# Terex Telelect Manual

**ap centre for joint reconstruction singapore knee and hip** - Jan 12 2023

web mission we provide outstanding orthopaedic surgery and treatment in singapore our specialties include treating arthritis through surgery and managing pain in the hip knee shoulder elbow foot and ankle through medication physiotherapy and joint injections

**adult reconstruction service singapore general hospital** - Sep 08 2022

web the adult reconstruction service provides diagnosis treatment and rehabilitation for individuals with degenerative and inflammatory bone disease bone injuries or deformities our orthopaedic surgeons are highly trained experienced and are knowledgeable in the latest research surgical techniques and implant technology

**advanced reconstruction shoulder american academy of** - Dec 11 2022

web advanced reconstruction shoulder zuckerman published by amer academy of orthopaedic 2007 isbn 10 0892033924 isbn 13 9780892033928 new hardcover quantity 1 seller basi6 international irving tx u s a rating seller rating book description condition brand new new us edition

*anterior shoulder reconstruction wheelless textbook of orthopaedics* - Nov 10 2022

web anterior shoulder reconstruction distal humerus fractures cover a range of complex fracture patterns including supracondylar fractures single or bi column fractures and coronal shear fractures they account for approximately 7 of all fractures they have a bimodal distribution with the first peak in 20 and 30 year old males and a second

shoulder resurfacing surgery atlantic orthopaedic specialists - Dec 31 2021

web shoulder resurfacing is an alternative to a total shoulder replacement for patients who are young and have active lifestyles rather than cutting and replacing the two bones humerus and scapula in the joint the damaged top of the arm bone the humeral head is replaced with a hemispheric metallic head this gives a new surface to the ball of

**advanced reconstruction shoulder 2 print amazon com** - Jun 17 2023

web sep 27 2018 advanced reconstruction shoulder 2 print ebook with multimedia aaos american academy of orthopaedic surgeons 9781975123475 medicine health science books amazon com

advanced reconstruction shoulder american academy of - Mar 14 2023

web developed in collaboration with american shoulder and elbow surgeons this practical new book puts years of knowledge at your fingertips tips pearls and techniques that reflect the leading edge of orthopaedic shoulder care find expert advice and approaches for more than 60 challenging shoulder conditions

**advanced reconstruction shoulder 2 american academy of** - May 16 2023

web advanced reconstruction shoulder 2 arthroscopy arthroplasty and fracture management developed in collaboration with the american shoulder and elbow surgeons techniques tips and strategies from more than 130 leading surgeons step by step guidance through 60 surgical challenges the latest evidence to support solid

**advanced reconstruction shoulder american academy of** - Apr 15 2023

web journal of american academy of orthopaedic surgeons jaaos online cme american academy of orthopaedic surgeons jeff a fox md advanced orthopedics of oklahoma tulsa ok rotator cuff and shoulder rehabilitation exercises gerald r williams jr m d rothman orthopaedic institute advanced reconstruction shoulder 2 american academy of  
*shoulder reconstruction and replacement surgery* - Aug 07 2022

web mar 2 2023 ut southwestern orthopedic surgeons specialize in the latest procedures for shoulder reconstruction and shoulder replacement surgery our doctors and their teams provide compassionate care for people with severe shoulder pain and offer the most advanced surgical techniques and technology available

*advanced reconstruction shoulder american academy* - Apr 03 2022

web advanced reconstruction shoulder american academy latissimus dorsi transfer feb 09 2021 this book is exceptional in providing detailed state of the art guidance on all aspects of transfer of the latissimus dorsi tendon for indications including irreparable posterosuperior rotator cuff tears irreparable subscapularis tears and shoulder

**advanced reconstruction shoulder 2 american academy of** - Oct 21 2023

web 2016 american academy of orthopaedic surgeons advanced reconstruction shoulder 2xxv video index video 3

1subscapularis tenotomy in the deltopectoral approach justin s yang md robert arciero md 5 min video 4 1infrapinatus capsular reconstruction for posterior instability richard j hawkins md 5 min

*20221109 sn academy singapore opens smith nephew* - Mar 02 2022

web nov 9 2022 s n academy singapore also has fully equipped surgical super stations for hands on procedural training across smith nephew s entire portfolio of orthopaedic reconstruction trauma robotics sports medicine ear nose and throat and advanced wound management

*james d o holleran sports medicine north* - Jul 06 2022

web website cookie policy 978 818 6350 online scheduling dr o holleran is a board certified orthopedic surgeon with dual fellowship training in advanced shoulder reconstruction and sports medicine he specializes in shoulder procedures with a special interest in arthroscopic reconstruction rotator cuff repair instability surgery and

[advanced reconstruction shoulder american academy of](#) - Feb 13 2023

web advanced reconstruction shoulder american academy of orthopaedic surgeons joseph d zuckerman md joseph d

zuckerman md on amazon com au free shipping on eligible orders advanced reconstruction shoulder american academy of orthopaedic surgeons

**patient information shoulder surgery rehabilitation dr allan** - Feb 01 2022

web ph 02 9460 7615 fax 02 9460 6064 ph 02 9460 7615 youngadmin sydneyshoulder com au dr allan young shoulder surgeon profile shoulder surgery patient information sheets dr allan young publications journal articles book chapters shoulder replacement image gallery latarjet procedure

advanced reconstruction shoulder american academy of - Sep 20 2023

web feb 1 2007 developed in collaboration with american shoulder and elbow surgeons this practical new book puts years of knowledge at your fingertips tips pearls and techniques that reflect the leading edge of orthopaedic shoulder care find expert advice and approaches for more than 60 challenging shoulder conditions

advanced reconstruction shoulder american academy 2023 - Jul 18 2023

web advanced shoulder techniques from the worlds finest surgeons area of focus shoulder upper extremity advanced reconstruction shoulder takes you deep into the complicated cases that mark your practice the worlds finest shoulder specialists present step by step treatment advice and surgical approaches to help you manage some of the

**9780892033928 advanced reconstruction shoulder american academy** - Oct 09 2022

web advanced reconstruction shoulder american academy of orthopaedic surgeons by joseph d zuckerman md and a great selection of related books art and collectibles available now at abebooks co uk 9780892033928 advanced reconstruction shoulder american academy of orthopaedic surgeons abebooks

**what is a shoulder reconstruction bauerfeind australia** - Jun 05 2022

web a shoulder reconstruction is the repair of tendons and ligaments that have been damaged helping to restore strength and function this is often done by keyhole surgery a minimally invasive form of surgery with lower associated risk the procedure and recovery period often varies from person to person but normally six to eight weeks is the

buy advanced reconstruction shoulder book by ed j zuckerman - May 04 2022

web advanced reconstruction shoulder isbn 0892033924 ean13 9780892033928 language english pages 679 dimensions 1 42 h x 10 71 l x 8 5 w weight 4 72 lbs format hardcover publisher amer academy of orthopaedic favorite add to wishlist

advanced reconstruction shoulder 2 ratings arrow drop down 1 8 out of 5

*advanced reconstruction shoulder 2 aaos american academy* - Aug 19 2023

web aug 31 2018 advanced reconstruction shoulder 2 aaos american academy of orthopaedic surgeons second edition kindle edition

epha c ma c ride petit bambou pdf pdf voto uneal edu - Jun 14 2023

web epha c ma c ride petit bambou pdf upload donald p boyle 1 3 downloaded from voto uneal edu br on july 30 2023 by donald p boyle epha c ma c ride petit bambou pdf epha c ma c ride petit bambou pdf enjoying the melody of appearance an mental symphony within epha c ma c ride petit bambou pdf

**éphéméride petit bambou by marie renaud benjamin blasco** - Dec 08 2022

web ephéméride petit bambou by marie renaud benjamin blasco loïc dujardin de gubernatis la mythologie des plantes i mythologie esperilo be sant au naturel marceljacob fr full text of lettres de quelques juifs portugais avec douleur que sur cet arbre trois fois bienheureux son fils sera crucifi quoi le c est vrai ma mre esperilo be april

**epha c ma c ride petit bambou pdf free old thecarguy com** - May 01 2022

web zidrou 2021 10 20t00 00 00 02 00 a poetic fable for grown ups full of wisdom and beauty by two belgian masters of graphic storytelling out on the high seas lives a whale unlike any other who spends her days reading stories to all who will listen taken from the vast library hidden in her belly

*epha c ma c ride petit bambou pdf* - Mar 31 2022

web 2 epha c ma c ride petit bambou 2021 02 23 trevoux contenant la signification la definition l explication de tous les termes de sciences arts de theologie de jurisprudence de belles lettres d histoire de geographie de chronologie c par m berthelin avocat au parlement professeur a l ecole royale militaire tome premier

**epha c ma c ride petit bambou pdf ignition4 customsforge** - Oct 06 2022

web epha c ma c ride petit bambou 1 epha c ma c ride petit bambou getting the books epha c ma c ride petit bambou now is not type of challenging means you could not deserted going subsequent to ebook buildup or library or borrowing from your links to admission them this is an very easy means to specifically acquire lead by on line

**éphéméride petit bambou by marie renaud benjamin blasco** - Feb 10 2023

web ephéméride petit bambou by marie renaud benjamin blasco loïc dujardin author laurenz schierokauer from forms trafford ac uk subject ephéméride petit bambou by marie renaud benjamin blasco loïc dujardin keywords dujardin marie benjamin petit renaud blasco loïc by ephéméride bambou created date

epha c ma c ride petit bambou pdf uniport edu - May 13 2023

web epha c ma c ride petit bambou 1 1 downloaded from uniport edu ng on may 3 2023 by guest epha c ma c ride petit bambou if you ally infatuation such a referred epha c ma c ride petit bambou ebook that will meet the expense of you worth get the entirely best seller from us currently from several preferred authors if you desire to droll books

epha c ma c ride petit bambou pdf nc tmuniverse - Nov 07 2022

web comprehending as well as understanding even more than supplementary will manage to pay for each success neighboring to the publication as with ease as sharpness of this epha c ma c ride petit bambou can be taken as skillfully as

picked to act epha c ma c ride petit bambou downloaded from nc tmuniverse com by guest hinton luciano

**éphéméride petit bambou by marie renaud benjamin blasco** - Aug 04 2022

web ephéméride petit bambou by marie renaud benjamin blasco loïc dujardin ephéméride petit bambou by marie renaud benjamin blasco loïc dujardin sant au naturel marceljacob fr waringhien imprimable de gubernatis la mythologie des plantes i mythologie gographie mdicale 1 mousson climat subscribe to our newsletters eagle i

*epha c ma c ride petit bambou full pdf beta login rschooltoday* - Jul 15 2023

web epha c ma c ride petit bambou thank you for reading epha c ma c ride petit bambou maybe you have knowledge that people have look hundreds times for their favorite books like this epha c ma c ride petit bambou but end up in infectious downloads rather than enjoying a good book with a cup of coffee in the afternoon

epha c ma c ride petit bambou pdf valegasdes - Feb 27 2022

web apr 13 2023 could enjoy now is epha c ma c ride petit bambou pdf below philostratus john swinnerton phillimore 1912 the book of ser marco polo the venetian marco polo 1871 the cloister and the hearth 1888 the santa fe trail robert luther duffus 1972 the lively history of this great trade artery is once more available uranoscopia charles

*epha c ma c ride petit bambou pdf uniport edu* - Sep 05 2022

web epha c ma c ride petit bambou 1 9 downloaded from uniport edu ng on april 4 2023 by guest epha c ma c ride petit bambou yeah reviewing a book epha c ma c ride petit bambou could increase your close contacts listings this is just one of the solutions for you to be successful as understood skill does not suggest that you have astounding points

**éphéméride petit bambou by marie renaud benjamin blasco** - Jan 29 2022

web ephéméride petit bambou by marie renaud benjamin blasco loïc dujardin store sbtexas com keywords esperilo be sant au naturel marceljacob fr eagle i evolution4 sport us296 full text of histoire de la cration et du dveloppement subscribe to our newsletters gographie mdicale 1 mousson climat waringhien imprimable

*download solutions epha c ma c ride petit bambou pdf* - Mar 11 2023

web may 28 2023 if you ally compulsion such a referred epha c ma c ride petit bambou pdf books that will present you worth acquire the definitely best seller from us currently from several preferred authors if you want to witty books lots of novels tale jokes and more fictions collections are in addition to launched from best seller to one of the

*epha c ma c ride petit bambou pdf copy* - Jan 09 2023

web may 27 2023 epha c ma c ride petit bambou pdf when people should go to the book stores search launch by shop shelf by shelf it is in reality problematic this is why we give the book compilations in this website it will entirely ease you to see guide epha c ma c ride petit bambou pdf as you such as

epha c ma c ride petit bambou pdf full pdf sdp sustainablefish - Aug 16 2023

web epha c ma c ride petit bambou pdf pages 3 14 epha c ma c ride petit bambou pdf upload dona d hayda 3 14 downloaded from sdp sustainablefish org on august 31 2023 by dona d hayda ethanol and in the manufacture of biodegradable plastics in addition to academics this book will be useful to researchers and government officials working for

**epha c ma c ride petit bambou pdf portal dlc ui edu** - Apr 12 2023

web install the epha c ma c ride petit bambou it is categorically simple then before currently we extend the belong to to buy and make bargains to download and install epha c ma c ride petit bambou suitably simple epha c ma c ride petit bambou downloaded from portal dlc ui edu ng by guest precious ezra

epha c ma c ride petit bambou 2022 ma swischoolwear co - Jun 02 2022

web epha c ma c ride petit bambou 5 5 can be packaged with the text physique sacrée ou histoire naturelle de la bible traduite du latin de mr jean jacques scheuchzer enrichie de figures en taille douce gravées par les soins de jean andré pfeffel tome premier huitieme giants and dwarfs considers two types of magical creatures

*bebek arabası modelleri ve Özellikleri elele baby* - Jul 03 2022

web Üstün kalite konforlu ve çok fonksiyonlu italyan tasarım bebek arabası modelleri elele de hemen şimdi ihtiyacın olan bebek arabası modelini keşfetmek ve satın almak için tıkla

*ephéméride petit bambou by marie renaud benjamin blasco* - Dec 28 2021

web ephéméride petit bambou by marie renaud benjamin blasco loïc dujardin ephéméride petit bambou by marie renaud benjamin blasco loïc dujardin de gubernatis la mythologie des plantes i mythologie full text of histoire de la cration et du dveloppement waringhien imprimable subscribe to our newsletters gographie mdicale 1 mousson

*answers for 2013 cca self review speakings gestamp* - Oct 19 2022

web jun 11 2023 download and implement the answers for 2013 cca self review it is thoroughly basic then currently we extend the associate to buy and create bargains to

**answers for 2013 cca self review marek krawiec** - Mar 24 2023

web it is your unconditionally own get older to bill reviewing habit along with guides you could enjoy now is answers for 2013 cca self review below professional nursing beth

*answers for 2013 cca self review wayne au book* - Jan 22 2023

web mar 1 2023 answers for 2013 cca self review yeah reviewing a books answers for 2013 cca self review could mount up your close links listings this is just one of the

answers for 2013 cca self review pdf uniport edu - Jul 28 2023

web you could purchase guide answers for 2013 cca self review or get it as soon as feasible you could speedily download this answers for 2013 cca self review after getting deal



**konaklama hizmetlerinde kalite yönetimi 2012 2013 ara sınavı** - Aug 29 2023

web konaklama hizmetlerinde kalite yönetimi 2012 2013 ara sınavı toplam 20 soru diğer konaklama hizmetlerinde kalite yönetimi sınavları

[answers for 2013 cca self review gbvims zamstats gov zm](#) - Feb 23 2023

web answers for 2013 cca self review as recognized adventure as capably as experience approximately lesson amusement as without difficulty as concurrence can be gotten by

[answers for 2013 cca self review sv3 tools1s com](#) - Oct 07 2021

web answers for 2013 cca self review answers for 2013 cca self review san francisco bay guardian looking for a guardian article canadian home business taxes help

**microsoft excel 2013 error after recent update** - Feb 11 2022

web sep 25 2023 1 run excel in safemode to by pass functionalities and settings that could be affecting it 2 install the latest updates for both office and your computer 3 check to

[answers for 2013 cca self review full pdf](#) - Apr 25 2023

web right here we have countless book answers for 2013 cca self review and collections to check out we additionally offer variant types and with type of the books to browse the

[cca self re test answers pdf 50storiesfortomorrow ilfu](#) - Aug 17 2022

web cca self re test answers unveiling the energy of verbal artistry an psychological sojourn through cca self re test answers in a global inundated with monitors and the

**answers for 2013 cca self review adrian doff copy** - Nov 08 2021

web we pay for answers for 2013 cca self review and numerous ebook collections from fictions to scientific research in any way accompanied by them is this answers for 2013

**answers for 2013 cca self review slide seprima co id** - Jun 15 2022

web answers for 2013 cca self review answers for 2013 cca self review the china post taiwan in english comp cams magnum rocker arm and high energy pushrod kits

[answers for 2013 cca self review](#) - May 26 2023

web nov 10 2017 answers for 2013 cca self review november 10 2017 get link facebook twitter pinterest email other apps 2018 action framework report sustainability free

**answers for 2013 cca self review groover sch bme hu** - May 14 2022

web answers for 2013 cca self review comp cams magnum steel roller tip rocker arms 1431 16 fukuoka japan amazon com harley fxdl dyna glide low rider 1340 1450

[src sinav salonu srcbelgesi co](#) - Sep 18 2022

web 2 aetr ye göre dinlenme sürelerinden biri haftalık dinlenmeye eklenerek kesintisiz toplam kırkbeş saate uzatılır bu dinlenme süresi taşıtın veya sürücünün normal olarak üslendiği

**75 questions with answers in cca science topic researchgate** - Mar 12 2022

web jun 25 2023 4 answers nov 1 2022 i am trying to run an rda or cca redundancy analysis and canonical correlation to illustrate the relationship between measured

**cca self review test answers help environment harvard edu** - Dec 21 2022

web thank you very much for downloading cca self review test answers maybe you have knowledge that people have look hundreds times for their favorite readings like this cca

**answers for 2013 cca self review marek krawiec pdf** - Dec 09 2021

web answers for 2013 cca self review if you ally compulsion such a referred answers for 2013 cca self review book that will manage to pay for you worth get the very best

[answers for 2013 cca self review cdcdbackan edu](#) - Nov 20 2022

web jun 10 2023 you could buy instruction answers for 2013 cca self review or get it as soon as feasible when persons should go to the online bookstores investigate

[class ccaurora edu](#) - Apr 13 2022

web t a b l e o f c o n t e n t s community college of aurora acknowledgements chapter 1 introduction page 1 purpose of the self study preparation of the self study report

**2 sınıf türkçe Çalışma soruları cevapları sayfa 13 evvel cevap** - Jan 10 2022

web 2 sınıf türkçe meb yayınları Çalışma soruları cevapları sayfa 13 ulaşmak için sitemizi ziyaret ediniz evvel cevap Ödev sitesi

**2020 cca self assessment items icd 10 cm dx 1 12 ahima** - Jul 16 2022

web 2020 cca self assessment items icd 10 cm dx 1 12 1 a 85 year old male with emphysema presents to the ed due to moderate persistent asthma and copd what

[access free answers for 2013 cca self review read pdf free](#) - Jun 27 2023

web answers for 2013 cca self review is available in our digital library an online access to it is set as public so you can download it instantly our books collection spans in multiple

Fuel your quest for knowledge with Authored by is thought-provoking masterpiece, **Terex Telelect Manual** . This educational ebook, conveniently sized in PDF ( Download in PDF: \*), is a gateway to personal growth and intellectual stimulation. Immerse yourself in the enriching content curated to cater to every eager mind. Download now and embark on a learning journey that promises to expand your horizons. .

[https://offsite.creighton.edu/files/virtual-library/Documents/interracial\\_deep\\_kissing.pdf](https://offsite.creighton.edu/files/virtual-library/Documents/interracial_deep_kissing.pdf)

[https://offsite.creighton.edu/files/virtual-library/Documents/introduction\\_to\\_genetic\\_analysis.pdf](https://offsite.creighton.edu/files/virtual-library/Documents/introduction_to_genetic_analysis.pdf)

[https://offsite.creighton.edu/files/virtual-library/Documents/inspirational\\_letter\\_for\\_confirmation.pdf](https://offsite.creighton.edu/files/virtual-library/Documents/inspirational_letter_for_confirmation.pdf)

## **Table of Contents Terex Telelect Manual**

1. Understanding the eBook Terex Telelect Manual
  - The Rise of Digital Reading Terex Telelect Manual
  - Advantages of eBooks Over Traditional Books
2. Identifying Terex Telelect Manual
  - Exploring Different Genres
  - Considering Fiction vs. Non-Fiction
  - Determining Your Reading Goals
3. Choosing the Right eBook Platform
  - Popular eBook Platforms
  - Features to Look for in an Terex Telelect Manual
  - User-Friendly Interface
4. Exploring eBook Recommendations from Terex Telelect Manual
  - Personalized Recommendations

- Terex Telelect Manual User Reviews and Ratings
- Terex Telelect Manual and Bestseller Lists
- 5. Accessing Terex Telelect Manual Free and Paid eBooks
  - Terex Telelect Manual Public Domain eBooks
  - Terex Telelect Manual eBook Subscription Services
  - Terex Telelect Manual Budget-Friendly Options
- 6. Navigating Terex Telelect Manual eBook Formats
  - ePub, PDF, MOBI, and More
  - Terex Telelect Manual Compatibility with Devices
  - Terex Telelect Manual Enhanced eBook Features
- 7. Enhancing Your Reading Experience
  - Adjustable Fonts and Text Sizes of Terex Telelect Manual
  - Highlighting and Note-Taking Terex Telelect Manual
  - Interactive Elements Terex Telelect Manual
- 8. Staying Engaged with Terex Telelect Manual
  - Joining Online Reading Communities
  - Participating in Virtual Book Clubs
  - Following Authors and Publishers Terex Telelect Manual
- 9. Balancing eBooks and Physical Books Terex Telelect Manual
  - Benefits of a Digital Library
  - Creating a Diverse Reading Collection Terex Telelect Manual
- 10. Overcoming Reading Challenges
  - Dealing with Digital Eye Strain
  - Minimizing Distractions
  - Managing Screen Time
- 11. Cultivating a Reading Routine Terex Telelect Manual
  - Setting Reading Goals Terex Telelect Manual
  - Carving Out Dedicated Reading Time
- 12. Sourcing Reliable Information of Terex Telelect Manual
  - Fact-Checking eBook Content of Terex Telelect Manual

- Distinguishing Credible Sources
- 13. Promoting Lifelong Learning
  - Utilizing eBooks for Skill Development
  - Exploring Educational eBooks
- 14. Embracing eBook Trends
  - Integration of Multimedia Elements
  - Interactive and Gamified eBooks

### **Terex Telelect Manual Introduction**

In the digital age, access to information has become easier than ever before. The ability to download Terex Telelect Manual has revolutionized the way we consume written content. Whether you are a student looking for course material, an avid reader searching for your next favorite book, or a professional seeking research papers, the option to download Terex Telelect Manual has opened up a world of possibilities. Downloading Terex Telelect Manual provides numerous advantages over physical copies of books and documents. Firstly, it is incredibly convenient. Gone are the days of carrying around heavy textbooks or bulky folders filled with papers. With the click of a button, you can gain immediate access to valuable resources on any device. This convenience allows for efficient studying, researching, and reading on the go. Moreover, the cost-effective nature of downloading Terex Telelect Manual has democratized knowledge. Traditional books and academic journals can be expensive, making it difficult for individuals with limited financial resources to access information. By offering free PDF downloads, publishers and authors are enabling a wider audience to benefit from their work. This inclusivity promotes equal opportunities for learning and personal growth. There are numerous websites and platforms where individuals can download Terex Telelect Manual. These websites range from academic databases offering research papers and journals to online libraries with an expansive collection of books from various genres. Many authors and publishers also upload their work to specific websites, granting readers access to their content without any charge. These platforms not only provide access to existing literature but also serve as an excellent platform for undiscovered authors to share their work with the world. However, it is essential to be cautious while downloading Terex Telelect Manual. Some websites may offer pirated or illegally obtained copies of copyrighted material. Engaging in such activities not only violates copyright laws but also undermines the efforts of authors, publishers, and researchers. To ensure ethical downloading, it is advisable to utilize reputable websites that prioritize the legal distribution of content. When downloading Terex Telelect Manual, users should also consider the potential security risks associated with online platforms. Malicious actors may exploit vulnerabilities in unprotected websites to distribute malware or steal personal information. To protect themselves,

individuals should ensure their devices have reliable antivirus software installed and validate the legitimacy of the websites they are downloading from. In conclusion, the ability to download Terex Telelect Manual has transformed the way we access information. With the convenience, cost-effectiveness, and accessibility it offers, free PDF downloads have become a popular choice for students, researchers, and book lovers worldwide. However, it is crucial to engage in ethical downloading practices and prioritize personal security when utilizing online platforms. By doing so, individuals can make the most of the vast array of free PDF resources available and embark on a journey of continuous learning and intellectual growth.

### FAQs About Terex Telelect Manual Books

**What is a Terex Telelect Manual PDF?** A PDF (Portable Document Format) is a file format developed by Adobe that preserves the layout and formatting of a document, regardless of the software, hardware, or operating system used to view or print it. **How do I create a Terex Telelect Manual PDF?** There are several ways to create a PDF: Use software like Adobe Acrobat, Microsoft Word, or Google Docs, which often have built-in PDF creation tools. Print to PDF: Many applications and operating systems have a "Print to PDF" option that allows you to save a document as a PDF file instead of printing it on paper. Online converters: There are various online tools that can convert different file types to PDF. **How do I edit a Terex Telelect Manual PDF?** Editing a PDF can be done with software like Adobe Acrobat, which allows direct editing of text, images, and other elements within the PDF. Some free tools, like PDFescape or Smallpdf, also offer basic editing capabilities. **How do I convert a Terex Telelect Manual PDF to another file format?** There are multiple ways to convert a PDF to another format: Use online converters like Smallpdf, Zamzar, or Adobe Acrobats export feature to convert PDFs to formats like Word, Excel, JPEG, etc. Software like Adobe Acrobat, Microsoft Word, or other PDF editors may have options to export or save PDFs in different formats. **How do I password-protect a Terex Telelect Manual PDF?** Most PDF editing software allows you to add password protection. In Adobe Acrobat, for instance, you can go to "File" -> "Properties" -> "Security" to set a password to restrict access or editing capabilities. Are there any free alternatives to Adobe Acrobat for working with PDFs? Yes, there are many free alternatives for working with PDFs, such as: LibreOffice: Offers PDF editing features. PDFsam: Allows splitting, merging, and editing PDFs. Foxit Reader: Provides basic PDF viewing and editing capabilities. How do I compress a PDF file? You can use online tools like Smallpdf, ILovePDF, or desktop software like Adobe Acrobat to compress PDF files without significant quality loss. Compression reduces the file size, making it easier to share and download. Can I fill out forms in a PDF file? Yes, most PDF viewers/editors like Adobe Acrobat, Preview (on Mac), or various online tools allow you to fill out forms in PDF files by selecting text fields and entering information. Are there any restrictions when working with PDFs? Some PDFs might have restrictions set by their creator, such as password protection,

editing restrictions, or print restrictions. Breaking these restrictions might require specific software or tools, which may or may not be legal depending on the circumstances and local laws.

**Find Terex Telelect Manual :**

[interracial deep kissing](#)

[introduction to genetic analysis](#)

[inspirational letter for confirmation](#)

[indiana health and life insurance license](#)

[iron cross medal](#)

**insiders guide to colleges**

[infinity sherrilyn kenyon](#)

**inferno squad star wars**

**integrated chinese workbook answers**

*instead of manipulating organisms manipulates their genes*

**ingrid bergman relationships**

[in christ alone chords in c](#)

[interesting facts about the battle of stalingrad](#)

[irish easter blessings](#)

[is america a plutocracy](#)

**Terex Telelect Manual :**