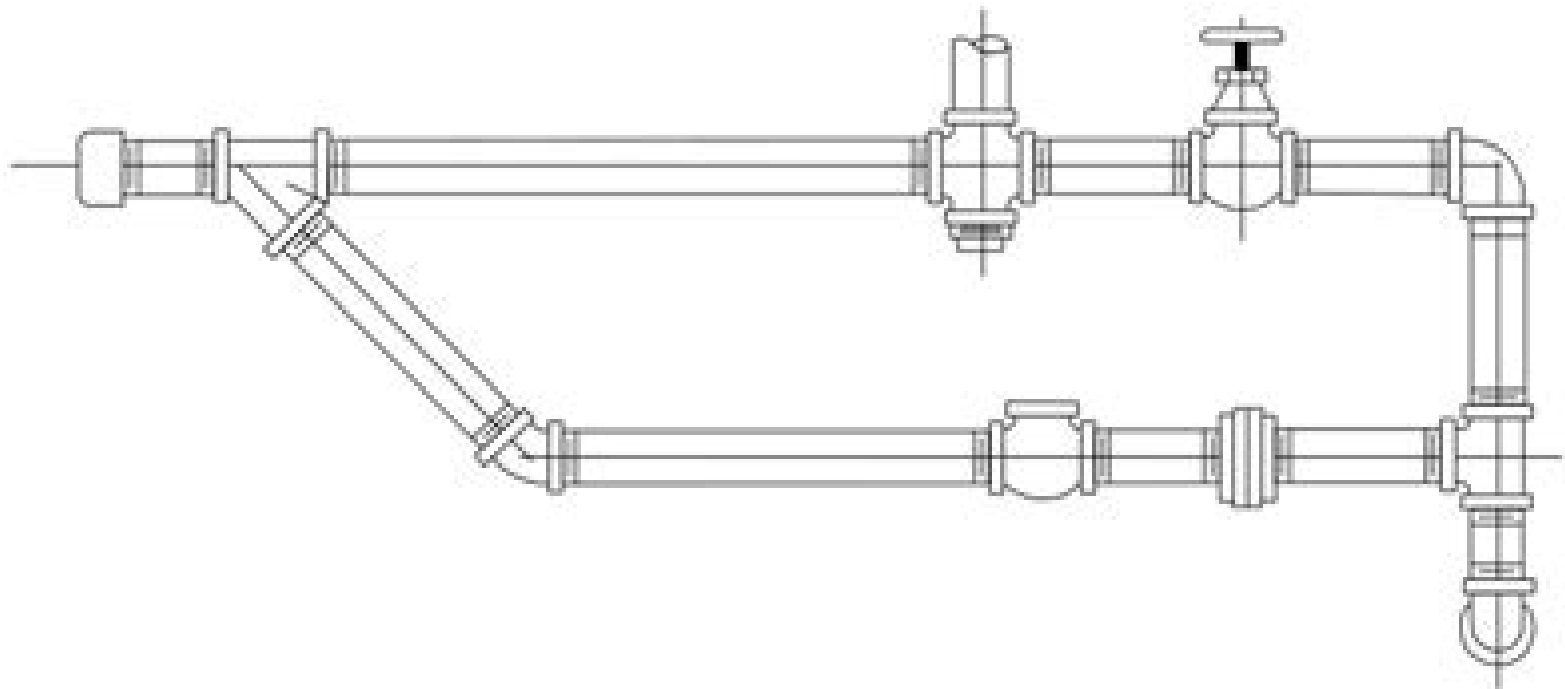


Orthographic Piping Drawing



Basic Piping Engineering Drawing

Hemant Nehete

A decorative graphic element consisting of a light blue horizontal bar with a rounded right end, overlaid on a red circular gradient background.

Basic Piping Engineering Drawing

Interpretation of Metal Fab Drawings Cameren Moran,2021 *Pipe Drafting and Design* Roy A. Parish,2001-10-24

Pipe designers and drafters provide thousands of piping drawings used in the layout of industrial and other facilities The layouts must comply with safety codes government standards client specifications budget and start up date Pipe Drafting and Design Second Edition provides step by step instructions to walk pipe designers and drafters and students in Engineering Design Graphics and Engineering Technology through the creation of piping arrangement and isometric drawings using symbols for fittings flanges valves and mechanical equipment The book is appropriate primarily for pipe design in the petrochemical industry More than 350 illustrations and photographs provide examples and visual instructions A unique feature is the systematic arrangement of drawings that begins with the layout of the structural foundations of a facility and continues through to the development of a 3 D model Advanced chapters discuss the customization of AutoCAD AutoLISP and details on the use of third party software to create 3 D models from which elevation section and isometric drawings are extracted including bills of material Covers drafting and design fundamentals to detailed advice on the development of piping drawings using manual and AutoCAD techniques 3 D model images provide an uncommon opportunity to visualize an entire piping facility Each chapter includes exercises and questions designed for review and practice Basic Piping Engineering Hemant Nehete,2020-04-20 This book is a perfect guide for engineering technology for Mechanical Chemical engineers This book is applicable for both diploma degree students Also this book is applicable for students for preparing interviews related to Oil Gas Industry EPC sector The book contains a basic knowledge of pipe engineering The matter in the book is explained in very simple lucid All type of valves flanges gaskets distillation columns pipe supports are explained in easy manner Suggestions and comments from students teachers professionals are most welcome because it will help me to move towards improvement Manual of Engineering Drawing Colin H. Simmons,Dennis E. Maguire,2003-10-21 The Manual of Engineering Drawing has long been recognised as the student and practising engineer s guide to producing engineering drawings that comply with ISO and British Standards The information in this book is equally applicable to any CAD application or manual drawing The second edition is fully in line with the requirements of the new British Standard BS8888 2002 and will help engineers lecturers and students with the transition to the new standards BS8888 is fully based on the relevant ISO standards so this book is also ideal for an international readership The comprehensive scope of this book encompasses topics including orthographic isometric and oblique projections electric and hydraulic diagrams welding and adhesive symbols and guidance on tolerancing Written by a member of the ISO committee and a former college lecturer the Manual of Engineering Drawing combines up to the minute technical accuracy with clear readable explanations and numerous diagrams This approach makes this an ideal student text for vocational courses in engineering drawing and

undergraduates studying engineering design product design Colin Simmons is a member of the BSI and ISO Draughting Committees and an Engineering Standards Consultant He was formerly Standards Engineer at Lucas CAV Fully in line with the latest ISO Standards A textbook and reference guide for students and engineers involved in design engineering and product design Written by a former lecturer and a current member of the relevant standards committees *The Engineer's Guide to Plant Layout and Piping Design for the Oil and Gas Industries* Geoff B. Barker, 2017-11-25 The Engineer's Guide to Plant Layout and Piping Design for the Oil and Gas Industries gives pipeline engineers and plant managers a critical real world reference to design manage and implement safe and effective plants and piping systems for today's operations This book fills a training void with complete and practical understanding of the requirements and procedures for producing a safe economical operable and maintainable process facility Easy to understand for the novice this guide includes critical standards newer designs practical checklists and rules of thumb Due to a lack of structured training in academic and technical institutions engineers and pipe designers today may understand various computer software programs but lack the fundamental understanding and implementation of how to lay out process plants and run piping correctly in the oil and gas industry Starting with basic terms codes and basis for selection the book focuses on each piece of equipment such as pumps towers underground piping pipe sizes and supports then goes on to cover piping stress analysis and the daily needed calculations to use on the job Delivers a practical guide to pipe supports structures and hangers available in one go to source Includes information on stress analysis basics quick checks pipe sizing and pressure drop Ensures compliance with the latest piping and plant layout codes and complies with worldwide risk management legislation and HSE Focuses on each piece of equipment such as pumps towers underground piping pipe sizes and supports Covers piping stress analysis and the daily needed calculations to use on the job *Piping and Instrumentation Diagram Development* Moe Toghraei, 2019-04-02 An essential guide for developing and interpreting piping and instrumentation drawings Piping and Instrumentation Diagram Development is an important resource that offers the fundamental information needed for designers of process plants as well as a guide for other interested professionals The author offers a proven systemic approach to present the concepts of P water and wastewater treatment industries and food industries The author outlines the basic development rules of piping and instrumentation diagram P ID and describes in detail the three main components of a process plant equipment and other process items control system and utility system Each step of the way the text explores the skills needed to excel at P ID includes a wealth of illustrative examples and describes the most effective practices This vital resource Offers a comprehensive resource that outlines a step by step guide for developing piping and instrumentation diagrams Includes helpful learning objectives and problem sets that are based on real life examples Provides a wide range of original engineering flow drawing P ID samples Includes PDF's that contain notes explaining the reason for each piece on a P ID and additional samples to help the reader create their own P IDs Written for chemical engineers mechanical engineers and other

technical practitioners Piping and Instrumentation Diagram Development reveals the fundamental steps needed for creating accurate blueprints that are the key elements for the design operation and maintenance of process industries **Process Piping Design** Rip Weaver,1989-04-01 **Engineering Drawing & Basic Science** YCT Expert Team , 2023 24 RRB ALP Technician Stage II Engineering Drawing Basic Science **PIPING ENGINEERING** Prabhu TL, This Piping Engineering Book is one of a kind This book is structured to raise the level of expertise in piping design and to improve the competitiveness in the global markets This course provides various piping system designs development skills and knowledge of current trends of plant layout The students are given case studies to develop their professional approach Piping Engineering is a specialized discipline of Mechanical Engineering which covers the design of piping and layout of equipments and process units in chemical petrochemical or hydrocarbon facilities Piping Engineers are responsible for the layout of overall plant facilities the location of equipments and process units in the plot and the design of the connected piping as per the applicable codes and standards to ensure safe operation of the facilities for the design life Piping can be defined as an assembly of piping components used to convey or distribute process fluid from one item of equipment to another in a process plant The piping components that form a part of this assembly are pipes fittings flanges valves piping specials bolts and gaskets This definition also includes pipe supporting elements such as pipe shoes but does not include support structures such as pipe racks pipe sleepers and foundations As per ASME B31 3 the piping designer is responsible to the owner for assurance that the engineering design of the piping complies with the requirements of this code and any additional requirements established by the owner Piping Engineering is a very important aspect of plant facility design and extends way beyond designing piping as per ASME Codes There are various ASME codes used for piping Most of the plant facilities in the petrochemical and hydrocarbon industry will use ASME B31 3 code for design of process piping Every industrial plant has numerous piping systems that must function reliably and safely Piping systems are often easy to ignore or take lightly However industry around the world continuously experiences pipe failures sometimes with catastrophic results Plant personnel expect piping systems that operate safely and plant owners need piping systems that are reliable This course introduces the engineers to the fundamental considerations the evaluation criteria and the primary solutions in the design of piping systems The types of common failure modes are described with the general approaches to determining if a piping system design is adequate for operation Pipe support types are described and their normal applications This is not a pipe stress analysis course but is much broader in context and only briefly introduces pipe stress analysis This book is intended for those who interface with piping design maintenance and operation and those who may be starting to work in piping engineering **Piping Engineering Leadership for Process Plant Projects** James Pennock,2001-07-02 James O Pennock has compiled 45 years of personal experience into this how to guide Focusing on the position of lead in charge this book is an indispensable resource for anyone new or seasoned veteran whose job it is to lead the piping engineering and design of a

project The lead person is responsible for the successful execution of all piping engineering and design for a project technical and non technical aspects alike The author defines the roles and responsibilities a lead will face and the differences found in various project types Incorporates four decades of personal experience in a How To guide Focuses on the position of lead in charge Includes coverage of topics often ignored in other books yet essential for success management administrative and control responsibilities

Process Pipe Drafting Terence M. Shumaker,2003 Process Pipe Drafting is designed to provide students with the fundamental concepts and basic techniques needed to create piping drawings This text includes problems and questions at the end of chapters manufacturer catalog specifications and an appendix listing related ANSI standards Students new to the trade as well as experienced pipefitters welders designers and drafters will benefit from this well written authoritative text

Engineering Drawing for Manufacture Brian Griffiths,2002-10-01 The processes of manufacture and assembly are based on the communication of engineering information via drawing These drawings follow rules laid down in national and international standards The organisation responsible for the international rules is the International Standards Organisation ISO There are hundreds of ISO standards on engineering drawing because drawing is very complicated and accurate transfer of information must be guaranteed The information contained in an engineering drawing is a legal specification which contractor and sub contractor agree to in a binding contract The ISO standards are designed to be independent of any one language and thus much symbology is used to overcome any reliance on any language Companies can only operate efficiently if they can guarantee the correct transmission of engineering design information for manufacturing and assembly This book is a short introduction to the subject of engineering drawing for manufacture It should be noted that standards are updated on a 5 year rolling programme and therefore students of engineering drawing need to be aware of the latest standards This book is unique in that it introduces the subject of engineering drawing in the context of standards

Process Plant Layout and Piping Design Ed Bausbacher,Roger W. Hunt,1993 For mechanical and chemical engineers working for engineering construction as well as process manufacturing companies with responsibility for plant layout piping and construction and for engineering students Based on the authors collective 65 years of experience in the engineering construction industry this profusely illustrated comprehensive guidebook presents tried and true workable methods and rules of thumb for plant layout and piping design for the process industries Content is organized and presented for quick reference on the job or for systematic study of specific topics

KEY TOPICS Presents general concepts and principles of plant layout from basic terminology and input requirements to deliverables deals with specific pieces of equipment and their most efficient layout in the overall plant design configuration addresses the plant layout requirements for the most common process unit equipment and considers the computerized tools that are now available to help plant layout and piping designers

The Planning Guide to Piping Design Richard Beale,Paul Bowers,2017-10-22 The Planning Guide to Piping Design Second Edition covers the entire process of managing and executing project piping designs from conceptual to

mechanical completion also explaining what roles and responsibilities are required of the piping lead during the process The book explains proven piping design methods in step by step processes that cover the increasing use of new technologies and software Extended coverage is provided for the piping lead to manage piping design activities which include supervising planning scheduling evaluating manpower monitoring progress and communicating the piping design With newly revised chapters and the addition of a chapter on CAD software the book provides the mentorship for piping leads engineers and designers to grasp the requirements of piping supervision in the modern age Provides essential standards specifications and checklists and their importance in the initial set up phase of piping project s execution Explains and provides real world examples of key procedures that the piping lead can use to monitor progress Describes project deliverables for both small and complex size projects Offers newly revised chapters including a new chapter on CAD software

Piping and Pipeline Calculations Manual Philip Ellenberger,2014-01-22 *Piping and Pipeline Calculations Manual* Second Edition provides engineers and designers with a quick reference guide to calculations codes and standards applicable to piping systems The book considers in one handy reference the multitude of pipes flanges supports gaskets bolts valves strainers flexibles and expansion joints that make up these often complex systems It uses hundreds of calculations and examples based on the author s 40 years of experiences as both an engineer and instructor Each example demonstrates how the code and standard has been correctly and incorrectly applied Aside from advising on the intent of codes and standards the book provides advice on compliance Readers will come away with a clear understanding of how piping systems fail and what the code requires the designer manufacturer fabricator supplier erector examiner inspector and owner to do to prevent such failures The book enhances participants understanding and application of the spirit of the code or standard and form a plan for compliance The book covers American Water Works Association standards where they are applicable Updates to major codes and standards such as ASME B31 1 and B31 12 New methods for calculating stress intensification factor SIF and seismic activities Risk based analysis based on API 579 and B31 G Covers the Pipeline Safety Act and the creation of PhMSA

Project Management Basics Robert L. Kimmons,1990-06-28 *Project Management Project Management Technology Planning the Project The Project Schedule The Project Budget Project Control Status Reporting Engineering Materials Management Construction Management Subcontract Administration Commissioning the Facility Project Completion The Project Manager s Role as a Manager Future Directions*

Piping Handbook Mohinder L. Nayyar,1999-11-04 Instant answers to your toughest questions on piping components and systems It s impossible to know all the answers when piping questions are on the table the field is just too broad That s why even the most experienced engineers turn to *Piping Handbook* edited by Mohinder L. Nayyar with contribution from top experts in the field The Handbook s 43 chapters 14 of them new to this edition and 9 new appendices provide in one place everything you need to work with any type of piping in any type of piping system design layout selection of materials fabrication and components operation installation maintenance This world class

reference is packed with a comprehensive array of analytical tools and illustrated with fully worked out examples and case histories Thoroughly updated this seventh edition features revised and new information on design practices materials practical applications and industry codes and standards plus every calculation you need to do the job *Machine Drawing* K. L. Narayana,2009-06-30 About the Book Written by three distinguished authors with ample academic and teaching experience this textbook meant for diploma and degree students of Mechanical Engineering as well as those preparing for AMIE examination incorporates the latest st **Piping Systems, Drafting and Design** Louis Gary Lamit,1981 **University of Michigan Official Publication** ,1955

The Daemon Knows: Literary Greatness and the American ... This Yale professor, MacArthur Prize Fellow, former Harvard prof, has written more than 40 books. His newest is "The Daemon Knows," more than 500 pages that ... 'The Daemon Knows,' by Harold Bloom May 18, 2015 — According to Bloom, the daemon — "pure energy, free of morality" — is far more intrinsic than thematic affinity. However aggressively their ... The Daemon Knows - Harold Bloom Eliot, and William Faulkner with Hart Crane, Bloom places these writers' works in conversation with one another, exploring their relationship to the 'daemon'- ... The Daemon Knows: Literary Greatness and the American ... May 12, 2015 — A product of five years of writing and a lifetime of reading and scholarship, The Daemon Knows maybe Bloom's most masterly book yet. Pairing ... The Daemon Knows by Harold Bloom review - a man of ... May 13, 2015 — The Daemon Knows focuses on "the dozen creators of the American sublime", in familiar or unexpected pairings, including Melville and Whitman, ... DAEMON KNOWS: LITERARY GREATNESS AND THE ... Feb 9, 2016 — A product of five years of writing and a lifetime of reading and scholarship, The Daemon Knows may be Bloom's most masterly book yet. The Daemon Knows by Harold Bloom A product of five years of writing and a lifetime of reading and scholarship, The Daemon Knows may be Bloom's most masterly book yet. Pairing Walt Whitman with ... The Daemon Knows: Literary Greatness and the American ... The Daemon Knows: Literary Greatness and the American Sublime ; Publisher Spiegel & Grau ; Publication Date 2016-02-09 ; Section New Titles - ... How Harold Bloom Selected His Top 12 American Authors Apr 24, 2015 — In The Daemon Knows, the literary critic and Yale professor Harold Bloom—who has written more than 40 books—nominates 12 writers whose inner ... The Daemon Knows: Literary Greatness and the American ... A product of five years of writing and a lifetime of reading and scholarship, The Daemon Knows may be Bloom's most masterly book yet. Pairing Walt Whitman with ... The Education of Little Tree The Education of Little Tree is a memoir-style novel written by Asa Earl Carter under the pseudonym Forrest Carter. First published in 1976 by Delacorte ... The Education of Little Tree (1997) Little Tree is an 8-year-old Cherokee boy who loses his parents during The Great Depression and begins living with his Indian grandparents and learning the ... The Education of Little Tree: Forrest Carter, Rennard ... This book is a treasure of bits of wisdom, practical and sensible, that illustrate that learning is found not only in

books but in life's experiences. Here ... The Education of Little Tree by Forrest Carter The Education of Little Tree tells of a boy orphaned very young, who is adopted by his Cherokee grandmother and half-Cherokee grandfather in the Appalachian ... The Education of Little Tree (film) It is based on the controversial 1976 fictional memoir of the same title by Asa Earl Carter (writing pseudonymously as "Forrest Carter", a supposedly Cherokee ... The Real Education of Little Tree The message was straight out of Carter's 1976 book, the Education of Little Tree, an account of his upbringing in the backwoods of Tennessee, where his Indian ... The Education of Little Tree A classic of its era and an enduring book for all ages, The Education of Little Tree continues to share important lessons. Little Tree's story allows us to ... The Artful Reinvention Of Klansman Asa Earl Carter Apr 20, 2012 — In the early 1990s, The Education of Little Tree became a publishing phenomenon. It told the story of an orphan growing up and learning the ... Biblio Hoaxes: The Education of Little Tree The book purports to be the memoir of a half Cherokee boy raised by his grandparents during the Great Depression, but in an October 4, 1991 New York Times ... The Education of Little Tree: A True Story - Books After his death, his brother revealed that none of the story in this book is true, or based on anything true. That being said, when taken as a work of pure ... The Broadview Anthology of Short Fiction - Third Edition This selection of 45 stories, from Nathaniel Hawthorne to Shaun Tan, shows the range of short fiction in the past 150 years. This third edition includes ... The Broadview Anthology of Short Fiction This selection of 45 stories represents diverse narrative styles and a broad spectrum of human experience. Stories are organized chronologically, annotated, ... The Broadview Anthology of Short Fiction - Third Edition ... This selection of 45 stories, from Nathaniel Hawthorne to Shaun Tan, shows the range of short fiction in the past 150 years. This third edition includes. The Broadview Anthology of Short Fiction - Second Edition The collection comprises both recognized classics of the genre and some very interesting, less often anthologized works. Stories are organized chronologically, ... The Broadview Anthology of Short Fiction The Broadview Anthology of Short Fiction is a compact anthology that presents a wide range of exemplary works in a collection of elegant proportions. The Broadview Anthology of Short Fiction - Third Edition ... The Broadview Anthology of Short Fiction - Third Edition (Paperback). By Sara Levine (Editor), Don Lapan (Editor), Marjorie Mather (Editor). \$34.13. 9781554813834 | Broadview Anthology of Short May 1, 2020 — Rent textbook Broadview Anthology of Short Fiction - Fourth Canadian Edition by Laura Buzzard (Editor) - 9781554813834. Price: \$11.87. The Broadview Anthology of Short Fiction - Third Edition ... The Broadview Anthology of Short Fiction - Third Edition (Paperback). By Sara Levine (Editor), Don Lapan (Editor), Marjorie Mather (Editor). \$39.06. The Broadview Anthology of Short Fiction - Third Edition ... The Broadview Anthology of Short Fiction - Third Edition (Paperback) | Sandman Books | www.sandmanbooks.com/book/9781554811410. The Broadview Anthology of Short Fiction - Third Edition ... The Broadview Anthology of Short Fiction - Third Edition (Paperback). By Sara Levine (Editor), Don Lapan (Editor), Marjorie Mather (Editor) ...

Unveiling the Magic of Words: A Report on "**Basic Piping Engineering Drawing**"

In a world defined by information and interconnectivity, the enchanting power of words has acquired unparalleled significance. Their ability to kindle emotions, provoke contemplation, and ignite transformative change is actually awe-inspiring. Enter the realm of "**Basic Piping Engineering Drawing**," a mesmerizing literary masterpiece penned with a distinguished author, guiding readers on a profound journey to unravel the secrets and potential hidden within every word. In this critique, we shall delve into the book's central themes, examine its distinctive writing style, and assess its profound affect on the souls of its readers.

https://offsite.creighton.edu/files/virtual-library/Documents/la_bohme_translation.pdf

https://offsite.creighton.edu/files/virtual-library/Documents/kurds_stateless_nation.pdf

https://offsite.creighton.edu/files/virtual-library/Documents/keystone_exam_prep.pdf

Table of Contents Basic Piping Engineering Drawing

1. Understanding the eBook Basic Piping Engineering Drawing
 - The Rise of Digital Reading Basic Piping Engineering Drawing
 - Advantages of eBooks Over Traditional Books
2. Identifying Basic Piping Engineering Drawing
 - Exploring Different Genres
 - Considering Fiction vs. Non-Fiction
 - Determining Your Reading Goals
3. Choosing the Right eBook Platform
 - Popular eBook Platforms

- Features to Look for in an Basic Piping Engineering Drawing
- User-Friendly Interface
- 4. Exploring eBook Recommendations from Basic Piping Engineering Drawing
 - Personalized Recommendations
 - Basic Piping Engineering Drawing User Reviews and Ratings
 - Basic Piping Engineering Drawing and Bestseller Lists
- 5. Accessing Basic Piping Engineering Drawing Free and Paid eBooks
 - Basic Piping Engineering Drawing Public Domain eBooks
 - Basic Piping Engineering Drawing eBook Subscription Services
 - Basic Piping Engineering Drawing Budget-Friendly Options
- 6. Navigating Basic Piping Engineering Drawing eBook Formats
 - ePub, PDF, MOBI, and More
 - Basic Piping Engineering Drawing Compatibility with Devices
 - Basic Piping Engineering Drawing Enhanced eBook Features
- 7. Enhancing Your Reading Experience
 - Adjustable Fonts and Text Sizes of Basic Piping Engineering Drawing
 - Highlighting and Note-Taking Basic Piping Engineering Drawing
 - Interactive Elements Basic Piping Engineering Drawing
- 8. Staying Engaged with Basic Piping Engineering Drawing
 - Joining Online Reading Communities
 - Participating in Virtual Book Clubs
 - Following Authors and Publishers Basic Piping Engineering Drawing
- 9. Balancing eBooks and Physical Books Basic Piping Engineering Drawing
 - Benefits of a Digital Library
 - Creating a Diverse Reading Collection Basic Piping Engineering Drawing
- 10. Overcoming Reading Challenges
 - Dealing with Digital Eye Strain
 - Minimizing Distractions
 - Managing Screen Time
- 11. Cultivating a Reading Routine Basic Piping Engineering Drawing

- Setting Reading Goals Basic Piping Engineering Drawing
- Carving Out Dedicated Reading Time
- 12. Sourcing Reliable Information of Basic Piping Engineering Drawing
 - Fact-Checking eBook Content of Basic Piping Engineering Drawing
 - Distinguishing Credible Sources
- 13. Promoting Lifelong Learning
 - Utilizing eBooks for Skill Development
 - Exploring Educational eBooks
- 14. Embracing eBook Trends
 - Integration of Multimedia Elements
 - Interactive and Gamified eBooks

Basic Piping Engineering Drawing Introduction

Free PDF Books and Manuals for Download: Unlocking Knowledge at Your Fingertips In today's fast-paced digital age, obtaining valuable knowledge has become easier than ever. Thanks to the internet, a vast array of books and manuals are now available for free download in PDF format. Whether you are a student, professional, or simply an avid reader, this treasure trove of downloadable resources offers a wealth of information, conveniently accessible anytime, anywhere. The advent of online libraries and platforms dedicated to sharing knowledge has revolutionized the way we consume information. No longer confined to physical libraries or bookstores, readers can now access an extensive collection of digital books and manuals with just a few clicks. These resources, available in PDF, Microsoft Word, and PowerPoint formats, cater to a wide range of interests, including literature, technology, science, history, and much more. One notable platform where you can explore and download free Basic Piping Engineering Drawing PDF books and manuals is the internet's largest free library. Hosted online, this catalog compiles a vast assortment of documents, making it a veritable goldmine of knowledge. With its easy-to-use website interface and customizable PDF generator, this platform offers a user-friendly experience, allowing individuals to effortlessly navigate and access the information they seek. The availability of free PDF books and manuals on this platform demonstrates its commitment to democratizing education and empowering individuals with the tools needed to succeed in their chosen fields. It allows anyone, regardless of their background or financial limitations, to expand their horizons and gain insights from experts in various disciplines. One of the most significant advantages of downloading PDF books and manuals lies in their portability. Unlike physical copies, digital books can be stored and carried on a single device, such as a tablet or smartphone, saving valuable space and weight. This convenience makes it possible for readers to have

their entire library at their fingertips, whether they are commuting, traveling, or simply enjoying a lazy afternoon at home. Additionally, digital files are easily searchable, enabling readers to locate specific information within seconds. With a few keystrokes, users can search for keywords, topics, or phrases, making research and finding relevant information a breeze. This efficiency saves time and effort, streamlining the learning process and allowing individuals to focus on extracting the information they need. Furthermore, the availability of free PDF books and manuals fosters a culture of continuous learning. By removing financial barriers, more people can access educational resources and pursue lifelong learning, contributing to personal growth and professional development. This democratization of knowledge promotes intellectual curiosity and empowers individuals to become lifelong learners, promoting progress and innovation in various fields. It is worth noting that while accessing free Basic Piping Engineering Drawing PDF books and manuals is convenient and cost-effective, it is vital to respect copyright laws and intellectual property rights. Platforms offering free downloads often operate within legal boundaries, ensuring that the materials they provide are either in the public domain or authorized for distribution. By adhering to copyright laws, users can enjoy the benefits of free access to knowledge while supporting the authors and publishers who make these resources available. In conclusion, the availability of Basic Piping Engineering Drawing free PDF books and manuals for download has revolutionized the way we access and consume knowledge. With just a few clicks, individuals can explore a vast collection of resources across different disciplines, all free of charge. This accessibility empowers individuals to become lifelong learners, contributing to personal growth, professional development, and the advancement of society as a whole. So why not unlock a world of knowledge today? Start exploring the vast sea of free PDF books and manuals waiting to be discovered right at your fingertips.

FAQs About Basic Piping Engineering Drawing Books

How do I know which eBook platform is the best for me? Finding the best eBook platform depends on your reading preferences and device compatibility. Research different platforms, read user reviews, and explore their features before making a choice. Are free eBooks of good quality? Yes, many reputable platforms offer high-quality free eBooks, including classics and public domain works. However, make sure to verify the source to ensure the eBook credibility. Can I read eBooks without an eReader? Absolutely! Most eBook platforms offer web-based readers or mobile apps that allow you to read eBooks on your computer, tablet, or smartphone. How do I avoid digital eye strain while reading eBooks? To prevent digital eye strain, take regular breaks, adjust the font size and background color, and ensure proper lighting while reading eBooks. What the advantage of interactive eBooks? Interactive eBooks incorporate multimedia elements, quizzes, and activities, enhancing the reader engagement and providing a more immersive learning experience. Basic Piping Engineering Drawing is

one of the best book in our library for free trial. We provide copy of Basic Piping Engineering Drawing in digital format, so the resources that you find are reliable. There are also many Ebooks of related with Basic Piping Engineering Drawing. Where to download Basic Piping Engineering Drawing online for free? Are you looking for Basic Piping Engineering Drawing PDF? This is definitely going to save you time and cash in something you should think about.

Find Basic Piping Engineering Drawing :

la bohème translation

[kurds stateless nation](#)

keystone exam prep

[kleitz tax services](#)

kpop word search

~~[lab safety equipment pictures](#)~~

kindergarten curriculum week by week

kubota rtv 900 diesel

[lake sequoia music camp](#)

[kindergarten teacher resume examples](#)

keira boynton obituary

kenmore elite 110

king royal portraits

label the cell structures using the leader lines provided

[kensington publishing reviews](#)

Basic Piping Engineering Drawing :