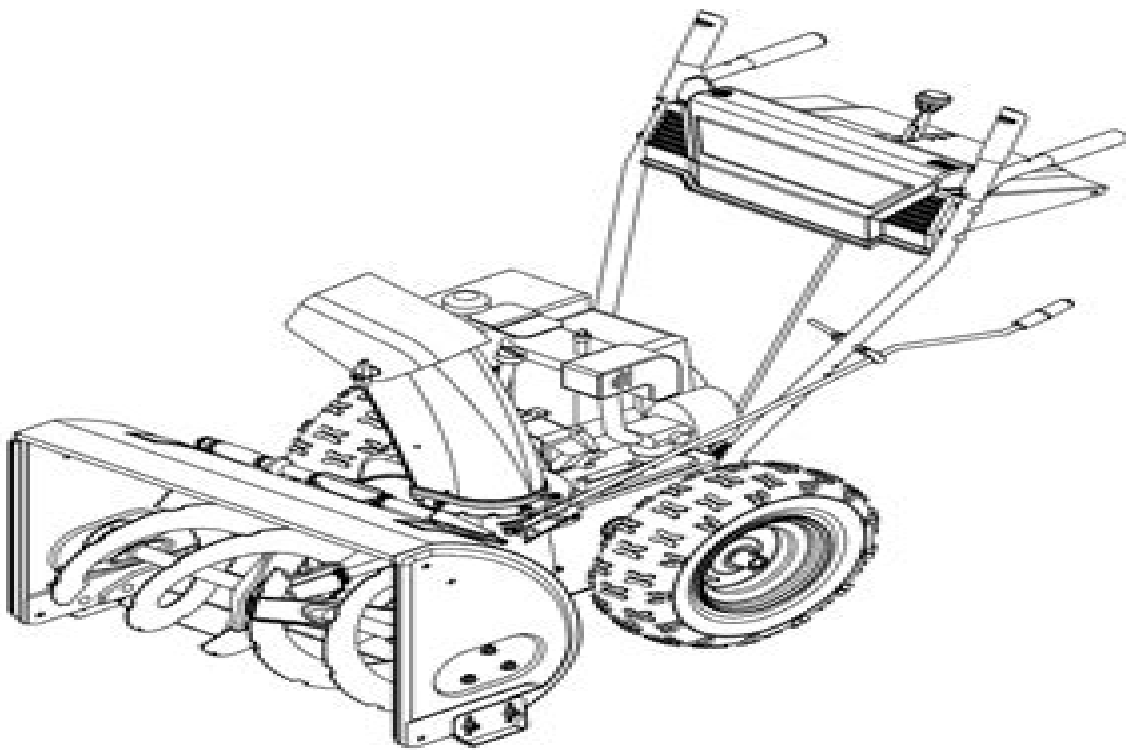


Operator's Manual



Snow Thrower

Models

E600E, S610E, E6C0F
S640F, E640E, E640F
E640G, E660F, E660G

IMPORTANT: READ SAFETY RULES AND INSTRUCTIONS CAREFULLY

Warning: This unit is equipped with an internal combustion engine and should not be used on or near any unimproved forest-covered, brush-covered or grass-covered land unless the engine's exhaust system is equipped with a spark arrester meeting applicable local or state laws (if any). If a spark arrester is used, it should be maintained in effective working order by the operator. In the State of California the above is required by law (Section 4442 of the California Public Resources Code). Other states may have similar laws. Federal laws apply on federal lands. A spark arrester for the muffler is available through your nearest engine authorized service dealer or contact the service department, P.O. Box 361131 Cleveland, Ohio 44136-9722.

MTD LLC, P.O. BOX 361131 CLEVELAND, OHIO 44136-9722

FORM NO. 769-00292A
(5/2003)

Mtd Snowblower Manual

Mitsuo Nagamachi



Mtd Snowblower Manual

Air Force Manual United States. Department of the Air Force,1971 Operator's Manual ,1990 *West's New York Supplement* ,2007 **New York Construction Law Manual** ,2020 **Popular Science** ,1973-12 Popular Science gives our readers the information and tools to improve their technology and their world The core belief that Popular Science and our readers share The future is going to be better and science and technology are the driving forces that will help make it better **Dar and the Spear Thrower** Marjorie Cowley,1994 A young boy living 15 000 years ago in southeastern France is initiated into manhood by his clan and sets off on a journey to trade his valuable fire rocks for an ivory spear thrower

The Archaeology of Medicine and Healthcare Naomi Sykes,Julia Shaw,2022-06-09 The maintenance of human health and the mechanisms by which this is achieved through medicine medical intervention and care giving are fundamentals of human societies However archaeological investigations of medicine and care have tended to examine the obvious and explicit manifestations of medical treatment as discrete practices that take place within specific settings rather than as broader indicators of medical worldviews and health beliefs This volume highlights the importance of medical worldviews as a means of understanding healthcare and medical practice in the past The volume brings together ten chapters with themes ranging from a bioarchaeology of Neanderthal healthcare to Roman air quality decontamination strategies at Australian quarantine centres to local resistance to colonial medical structures in South America Within their chapters the contributors argue for greater integration between archaeology and both the medical and environmental humanities while the Introduction presents suggestions for future engagement with emerging discourse in community and public health environmental and planetary health genetic and epigenetic medicine exposome studies and ecological public health microbiome studies and historical disability studies The chapters in this book were originally published as a special issue of *World Archaeology* **Products Catalog** National Center for Research in Vocational Education (U.S.),1980 Kansei/Affective Engineering Mitsuo Nagamachi,2016-04-19 A guided tour through the each stages of process Kansei Affective Engineering explores how to apply Kansei Affective Engineering It describes the psychological survey and psycho physiological measurement of consumer feelings and the multivariate statistical analysis of this survey data including rough set models Since soft computing technology **Popular Science** ,1975-05 Popular Science gives our readers the information and tools to improve their technology and their world The core belief that Popular Science and our readers share The future is going to be better and science and technology are the driving forces that will help make it better *Performance Tuning in Theory and Practice* A. Graham Bell,1983 **Fire in the Straw** Nick Lyons,2020-10-27 Named One of the New York Post s Best New Books to Read FIRE IN THE STRAW is the witty and deeply felt memoir of Nick Lyons a man with an intrepid desire to reinvent himself which he does over and over Nick Lyons shape shifts from reluctant student and graduate of the Wharton School to English

Professor to husband of a fiercely committed painter to ghost writer to famous fly fisherman and award winning author to father and then grandfather to Executive Editor at a large book publishing company and finally to founder and publisher of his own successful independent press Written with the same warm and earthy voice that has enthralled tens of thousands of fly fishing readers Nick weaves the disparate chapters of his life from the moment his widowed mother drops him off at a grim boarding school at the age of five where he spends three lonely and confusing years to his love of basketball and pride playing for Penn to the tumultuous period in the army and after when he found and was transformed by literature to his marriage to Mari his great love and anchor of his life Suddenly with a PhD in hand and four children Nick embarks on a complex and thrilling ride juggling family fishing teaching writing and publishing the wolf always at his door Against all odds The Lyons Press survives his children prosper his wife s art flourishes and his books and articles make him a household name

Fire in the Straw is a love story a confessional and a beautiful big hearted memoir [The Small-Engine Handbook](#) Peter Hunn,2005 Peter Hunn It s common for homeowners to have 2 or 4 cycle small engines in their lawn and garden equipment utility vehicles recreational vehicles generators and other machines With this easy to follow richly illustrated handbook homeowners will be able to understanding small engines troubleshooting them and working on them The book has a brief history of significant and popular small engines and a guide to setting up a home workshop in which to work on them It also includes case studies on the disassembly maintenance repair and or rebuilding of a 2 stroke lawnmower engine a 4 stroke utility motor a 2 stroke chainsaw engine and a curbside junker The writing is lively and entertaining and the color photos clearly show how to work on these useful engines

Garden Tractors Oscar H. Will,2009-02-15 An illustrated history of the garden tractors that make small farms and vast gardens grow the Cub Cadets John Deeres Simplicitys Fords Ariens Wheel Horses Kabotas etc

The River Wild Denis O'Neill,2017-06-06 Based on the blockbuster movie starring Meryl Streep and Kevin Bacon To help heal a marriage on the rocks river rafting expert Gail her husband Tom and their son embark on a white water adventure in Montana Along the way they encounter two inexperienced rafters supposedly looking for their friends downriver Little do they know that the men are escaped convicts whose bid for freedom has a body count Things take a turn when the young family learns that they are now the captives of two armed killers and it becomes clear that there is much more at stake than a marriage Desperate to evade both the police and federal marshals the men force the family down the river and into the mouth of a deadly class 5 white water rapid Careening towards mortal peril Gail and Tom must bond together to save their family from the brutality of nature and the savageness of man This high stakes thriller is both a testament to the power of mother nature and a classic adventure story that is perfect for fans of CJ Box and Craig Johnson Denis O Neill the screenwriter for the movie The River Wild brings the striking beauty of the film into his writing and ratchets up the danger that races forward to a breathtaking conclusion

[Rise: The Brand New Autobiography](#) Siya Kolisi,2021-10-04 Siya s rise from humble beginnings to lifting that World Cup trophy is the stuff of fairytales **MARCUS**

RASHFORD Siya Kolisi is a warrior on the field and an inspiration off it This book is an extraordinary reminder of what can be achieved with inner belief and an indefatigable spirit JAY SHETTY Percy Thrower's How to Grow Vegetables and Fruit Percy Thrower,1977 Tools for Homesteaders, Gardeners, and Small-scale Farmers Diana S. Branch,1978 *Das Malerische Werk Des Dänischen Künstlers IB Eisner* Stefanie Hegyaljai,2005 **Reports of cases decided in the Appellate Division of the Supreme Court of the State of New York. 3d series** ,2007

Medical Instrumentation Application and Design 4th Edition ... Apr 21, 2020 — Medical Instrumentation Application and Design 4th Edition Webster Solutions Manual Full Download: ... Solutions manual [for] : Medical instrumentation Solutions manual [for] : Medical instrumentation : application and design ; Author: John G. Webster ; Edition: 2nd ed View all formats and editions ; Publisher: ... Medical Instrumentation 4th Edition Textbook Solutions Access Medical Instrumentation 4th Edition solutions now. Our solutions are written by Chegg experts so you can be assured of the highest quality! Solutions manual, Medical instrumentation : application ... Solutions manual, Medical instrumentation : application and design ; Authors: John G. Webster, John W. Clark ; Edition: View all formats and editions ; Publisher: ... Medical Instrumentation: Application and Design Medical instrumentation: application and design / John G. Webster, editor; contributing ... A Solutions Manual containing complete solutions to all problems is. Medical Instrumentation Application Design Webster Solution Mar 19, 2020 — Noninvasive Instrumentation and Measurement in Medical Diagnosis. Outlines & Highlights for Medical Instrumentation Application and Design ... Medical Instrumentation Application and Design - 4th Edition Find step-by-step solutions and answers to Medical Instrumentation Application and Design - 9781118312858, as well as thousands of textbooks so you can move ... Medical Instrumentation - John G. Webster Title, Medical Instrumentation: Application and Design, Second Edition. Solutions manual. Author, John G. Webster. Contributor, John W. Clark. Webster medical instrumentation solution manual Copy May 31, 2023 — Read free Webster medical instrumentation solution manual Copy. Webster Sol Man Medical Instrument Medical Instrumentation Solutions Manual [for]. [Book] Medical Instrumentation Application and Design, 4th ... [Book] Medical Instrumentation Application and Design, 4th Edition Solutions Manual. Requesting. Citation: Webster, John G ... The Trustee's Manual: 10 Rules for Church Leaders ... The Trustee's Manual provides church leaders with 10 Biblical rules than help church leadership become effective leaders and follow the Words of Christ. Jesus ... Handbook of Policies, Procedures, and Fees Jan 23, 2018 — BOARD OF TRUSTEES. Beulah Missionary Baptist Church. The Reverend Jerry D. Black, Pastor. Handbook of Policies,. Procedures, and Fees. January ... The Work of the Church Trustee by Tibbetts, Orlando L. This comprehensive guide will deepen and broaden the trustee's sense of ministry and mission in his or her service to the church. It covers every facet of ... Trustees Handbook Jan 19, 2017 — - Specific responsibilities shared by the boards include: stewardship; effective cooperation and coordination of board activities;

communication ... HOW TO BE A TRUSTEE IN A CHURCH FIRST EDITION ... This booklet is our attempt at 'the idiot's guide' to being a trustee in a vineyard church. Let me say now that our trustees in no way deserve the title of ... WORK OF THE CHURCH TRUSTEE ... trustee's sense of ministry and mission in his/her service to the church. An excellent tool for new or experienced board members, this book covers every ... RESPONSIBILITIES OF CHURCH TRUSTEES The following is a sample list of what might be reflected in a church constitution: The Trustees shall be responsible for all legal obligations for the church ... Trustees Manual Review annually the adequacy of property, liability, crime and insurance coverage on church-owned property, buildings and equipment. 4. Review annually the ... Baptist Handbook F Baptist Handbook For Church ... For many years I have felt the need of a small book on church membership, written from the viewpoint of an independent Baptist, to place in the hands of members ... BUGB Trustee Board Governance Handbook This handbook is intended to be used as a reference tool for the Trustees of the Baptist Union of Great Britain (BUGB), the charitable body behind Baptists ... Assertiveness for Earth Angels: How to Be Loving Instead ... You'll discover how to overcome fears about saying no, and how to ask for what you want from those around you and from the universe. Assertiveness for Earth ... Assertiveness for Earth Angels: How to Be Loving Instead ... Oct 28, 2013 — In this groundbreaking book, Doreen Virtue teaches Earth Angels—extremely sweet people who care more about others' happiness than their own—how ... Assertiveness for Earth Angels: How to Be Loving Instead ... If so, you may be an Earth Angel. In this groundbreaking book, Doreen Virtue teaches Earth Angels—extremely sweet people who care more about others' happiness ... Assertiveness for Earth Angels: How to Be Loving Instead ... In this groundbreaking book, Doreen Virtue teaches Earth Angels—extremely sweet people who care more about others' happiness than their own—how to maintain ... Assertiveness for Earth Angels - Doreen Virtue Assertiveness for Earth Angels: How to Be Loving Instead of Too Nice. By Doreen Virtue. About this book · Get Textbooks on Google Play. Assertiveness for Earth Angels - by Doreen Virtue Do people take advantage of your niceness? In this groundbreaking book, Doreen Virtue teaches Earth Angels --extremely sweet people who care more about ... Assertiveness for Earth Angels: How to Be Loving Instead ... In this groundbreaking book, Doreen Virtue teaches Earth Angels—extremely sweet people who care more about others' happiness than their own—how to maintain ... Assertiveness for Earth Angels (Paperback) Do people take advantage of your niceness? In this groundbreaking book, Doreen Virtue teaches Earth Angels - extremely sweet people who care more about others' ... Assertiveness for Earth Angels: How to Be Loving Instead ... You'll discover how to overcome fears about saying no, and how to ask for what you want from those around you and from the universe. Assertiveness for Earth ... Assertiveness for Earth Angels: How to Be Loving Instead ... Do people take advantage of your niceness? In this groundbreaking book, Doreen Virtue teaches Earth Angels --extremely sweet people who care more about ...

Unveiling the Power of Verbal Artistry: An Psychological Sojourn through **Mtd Snowblower Manual**

In a world inundated with screens and the cacophony of quick connection, the profound power and mental resonance of verbal art usually fade into obscurity, eclipsed by the continuous onslaught of sound and distractions. However, nestled within the musical pages of **Mtd Snowblower Manual**, a interesting work of fictional splendor that pulses with raw thoughts, lies an remarkable trip waiting to be embarked upon. Penned by way of a virtuoso wordsmith, that interesting opus instructions readers on an emotional odyssey, gently revealing the latent possible and profound affect embedded within the intricate web of language. Within the heart-wrenching expanse with this evocative examination, we shall embark upon an introspective exploration of the book is central themes, dissect its interesting writing design, and immerse ourselves in the indelible effect it leaves upon the depths of readers souls.

https://offsite.creighton.edu/files/virtual-library/Documents/hunger_games_wolves.pdf

https://offsite.creighton.edu/files/virtual-library/Documents/image_comics_the_pact.pdf

https://offsite.creighton.edu/files/virtual-library/Documents/i_spy_book_page.pdf

Table of Contents Mtd Snowblower Manual

1. Understanding the eBook Mtd Snowblower Manual
 - The Rise of Digital Reading Mtd Snowblower Manual
 - Advantages of eBooks Over Traditional Books
2. Identifying Mtd Snowblower Manual
 - Exploring Different Genres
 - Considering Fiction vs. Non-Fiction
 - Determining Your Reading Goals

3. Choosing the Right eBook Platform
 - Popular eBook Platforms
 - Features to Look for in an Mtd Snowblower Manual
 - User-Friendly Interface
4. Exploring eBook Recommendations from Mtd Snowblower Manual
 - Personalized Recommendations
 - Mtd Snowblower Manual User Reviews and Ratings
 - Mtd Snowblower Manual and Bestseller Lists
5. Accessing Mtd Snowblower Manual Free and Paid eBooks
 - Mtd Snowblower Manual Public Domain eBooks
 - Mtd Snowblower Manual eBook Subscription Services
 - Mtd Snowblower Manual Budget-Friendly Options
6. Navigating Mtd Snowblower Manual eBook Formats
 - ePub, PDF, MOBI, and More
 - Mtd Snowblower Manual Compatibility with Devices
 - Mtd Snowblower Manual Enhanced eBook Features
7. Enhancing Your Reading Experience
 - Adjustable Fonts and Text Sizes of Mtd Snowblower Manual
 - Highlighting and Note-Taking Mtd Snowblower Manual
 - Interactive Elements Mtd Snowblower Manual
8. Staying Engaged with Mtd Snowblower Manual
 - Joining Online Reading Communities
 - Participating in Virtual Book Clubs
 - Following Authors and Publishers Mtd Snowblower Manual
9. Balancing eBooks and Physical Books Mtd Snowblower Manual
 - Benefits of a Digital Library
 - Creating a Diverse Reading Collection Mtd Snowblower Manual
10. Overcoming Reading Challenges
 - Dealing with Digital Eye Strain
 - Minimizing Distractions

- Managing Screen Time
- 11. Cultivating a Reading Routine Mtd Snowblower Manual
 - Setting Reading Goals Mtd Snowblower Manual
 - Carving Out Dedicated Reading Time
- 12. Sourcing Reliable Information of Mtd Snowblower Manual
 - Fact-Checking eBook Content of Mtd Snowblower Manual
 - Distinguishing Credible Sources
- 13. Promoting Lifelong Learning
 - Utilizing eBooks for Skill Development
 - Exploring Educational eBooks
- 14. Embracing eBook Trends
 - Integration of Multimedia Elements
 - Interactive and Gamified eBooks

Mtd Snowblower Manual Introduction

In today's digital age, the availability of Mtd Snowblower Manual books and manuals for download has revolutionized the way we access information. Gone are the days of physically flipping through pages and carrying heavy textbooks or manuals. With just a few clicks, we can now access a wealth of knowledge from the comfort of our own homes or on the go. This article will explore the advantages of Mtd Snowblower Manual books and manuals for download, along with some popular platforms that offer these resources. One of the significant advantages of Mtd Snowblower Manual books and manuals for download is the cost-saving aspect. Traditional books and manuals can be costly, especially if you need to purchase several of them for educational or professional purposes. By accessing Mtd Snowblower Manual versions, you eliminate the need to spend money on physical copies. This not only saves you money but also reduces the environmental impact associated with book production and transportation. Furthermore, Mtd Snowblower Manual books and manuals for download are incredibly convenient. With just a computer or smartphone and an internet connection, you can access a vast library of resources on any subject imaginable. Whether you're a student looking for textbooks, a professional seeking industry-specific manuals, or someone interested in self-improvement, these digital resources provide an efficient and accessible means of acquiring knowledge. Moreover, PDF books and manuals offer a range of benefits compared to other digital formats. PDF files are designed to retain their formatting regardless of the device used to open them. This ensures that the content appears exactly as intended by the author, with no loss of formatting or missing graphics. Additionally, PDF files can be easily annotated,

bookmarked, and searched for specific terms, making them highly practical for studying or referencing. When it comes to accessing Mtd Snowblower Manual books and manuals, several platforms offer an extensive collection of resources. One such platform is Project Gutenberg, a nonprofit organization that provides over 60,000 free eBooks. These books are primarily in the public domain, meaning they can be freely distributed and downloaded. Project Gutenberg offers a wide range of classic literature, making it an excellent resource for literature enthusiasts. Another popular platform for Mtd Snowblower Manual books and manuals is Open Library. Open Library is an initiative of the Internet Archive, a non-profit organization dedicated to digitizing cultural artifacts and making them accessible to the public. Open Library hosts millions of books, including both public domain works and contemporary titles. It also allows users to borrow digital copies of certain books for a limited period, similar to a library lending system. Additionally, many universities and educational institutions have their own digital libraries that provide free access to PDF books and manuals. These libraries often offer academic texts, research papers, and technical manuals, making them invaluable resources for students and researchers. Some notable examples include MIT OpenCourseWare, which offers free access to course materials from the Massachusetts Institute of Technology, and the Digital Public Library of America, which provides a vast collection of digitized books and historical documents. In conclusion, Mtd Snowblower Manual books and manuals for download have transformed the way we access information. They provide a cost-effective and convenient means of acquiring knowledge, offering the ability to access a vast library of resources at our fingertips. With platforms like Project Gutenberg, Open Library, and various digital libraries offered by educational institutions, we have access to an ever-expanding collection of books and manuals. Whether for educational, professional, or personal purposes, these digital resources serve as valuable tools for continuous learning and self-improvement. So why not take advantage of the vast world of Mtd Snowblower Manual books and manuals for download and embark on your journey of knowledge?

FAQs About Mtd Snowblower Manual Books

What is a Mtd Snowblower Manual PDF? A PDF (Portable Document Format) is a file format developed by Adobe that preserves the layout and formatting of a document, regardless of the software, hardware, or operating system used to view or print it. **How do I create a Mtd Snowblower Manual PDF?** There are several ways to create a PDF: Use software like Adobe Acrobat, Microsoft Word, or Google Docs, which often have built-in PDF creation tools. Print to PDF: Many applications and operating systems have a "Print to PDF" option that allows you to save a document as a PDF file instead of printing it on paper. Online converters: There are various online tools that can convert different file types to PDF. **How do I edit a Mtd Snowblower Manual PDF?** Editing a PDF can be done with software like Adobe Acrobat, which allows direct

editing of text, images, and other elements within the PDF. Some free tools, like PDFescape or Smallpdf, also offer basic editing capabilities. **How do I convert a Mtd Snowblower Manual PDF to another file format?** There are multiple ways to convert a PDF to another format: Use online converters like Smallpdf, Zamzar, or Adobe Acrobat's export feature to convert PDFs to formats like Word, Excel, JPEG, etc. Software like Adobe Acrobat, Microsoft Word, or other PDF editors may have options to export or save PDFs in different formats. **How do I password-protect a Mtd Snowblower Manual PDF?** Most PDF editing software allows you to add password protection. In Adobe Acrobat, for instance, you can go to "File" -> "Properties" -> "Security" to set a password to restrict access or editing capabilities. Are there any free alternatives to Adobe Acrobat for working with PDFs? Yes, there are many free alternatives for working with PDFs, such as: LibreOffice: Offers PDF editing features. PDFsam: Allows splitting, merging, and editing PDFs. Foxit Reader: Provides basic PDF viewing and editing capabilities. How do I compress a PDF file? You can use online tools like Smallpdf, ILovePDF, or desktop software like Adobe Acrobat to compress PDF files without significant quality loss. Compression reduces the file size, making it easier to share and download. Can I fill out forms in a PDF file? Yes, most PDF viewers/editors like Adobe Acrobat, Preview (on Mac), or various online tools allow you to fill out forms in PDF files by selecting text fields and entering information. Are there any restrictions when working with PDFs? Some PDFs might have restrictions set by their creator, such as password protection, editing restrictions, or print restrictions. Breaking these restrictions might require specific software or tools, which may or may not be legal depending on the circumstances and local laws.

Find Mtd Snowblower Manual :

~~hunger games wolves~~

image comics the pact

i spy book page

human anatomy and physiology lab manual online

ibm db2 certification

ignition switch wiring diagram chevy

ifma fmp certification cost

ice breaker hannah grace pdf

i can t make you love me bon iver lyrics

icebreaker hannah grace

i won't grow up peter pan jr

hugo good neighbor days

how to use epic emr

if you give a mouse a cookie pages

i love my fat cat in spanish

Mtd Snowblower Manual :