

## Body Repair

## INTRODUCTION

## BODY PANEL REPLACEMENT

- RADIATOR SUPPORT (ASSY)
- FRONT FENDER FRONT APRON (ASSY)
- FRONT APRON TO COWL SIDE UPPER MEMBER (ASSY)
- FRONT FENDER APRON (ASSY)
- FRONT SIDE MEMBER (CUT-P)
- FRONT SIDE MEMBER (CUT)
- FRONT BODY PILLAR LOWER GUSSET (ASSY)
- COWL TOP TO APRON BLADE (ASSY)
- COWL TOP SIDE PANEL (ASSY)
- FRONT BODY PILLAR (CUT): LH
- FRONT BODY PILLAR (CUT): RH
- CENTER BODY PILLAR (CUT)
- FRONT DOOR OUTER PANEL (ASSY)
- REAR DOOR OUTER PANEL (ASSY)
- ROCKER OUTER PANEL (CUT-P)
- ROCKER OUTER PANEL (CUT-H)
- ROCKER OUTER PANEL (CUT)
- ROCKER PANEL NO.5

## BODY PANEL REPLACEMENT

BP-29

## FRONT BODY PILLAR (CUT): RH

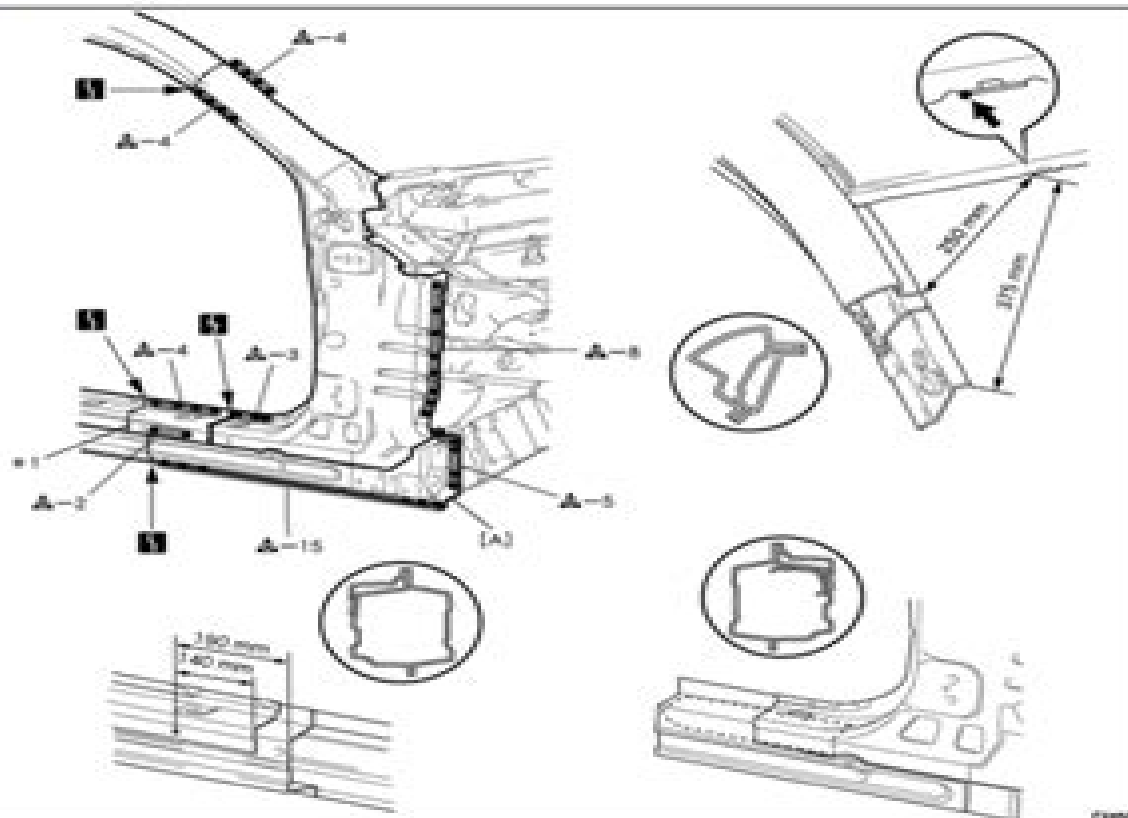
## REPLACEMENT

With the front body pillar lower gusset and cowl top side panel removed.



P16000

## REMOVAL



P16000

## POINT

- 1 \*1: This part of the outer panel is reused because the rocker panel section is cut off at a position behind the supply part out position of the outer panel.
- 2 Remove [A] at the same time.
- 3 Take care not to damage the internal reinforcement.

## PART NAME

[A] Rocker Outer Panel

140 mm (5.51 in.)

180 mm (7.08 in.)

250 mm (9.84 in.)

375 mm (14.76 in.)

# Lexus Is250 Repair Manual

**Tobias Bleicker**



Lexus Is250 Repair Manual
<b>2014 Lexus IS250 Owner Manual Compatible with OEM Owners Manual, Factory Glovebox Book</b> Helming,2014-06-13
<i>2015 Lexus IS250 Owner Manual Compatible with OEM Owners Manual, Factory Glovebox Book</i> Helming,2015-06-27
<b>2011 Lexus IS250 Owner Manual Compatible with OEM Owners Manual, Factory Glovebox Book</b> Helming,2011-03-24
<u>Toyota Camry and Lexus ES 300/330 Automotive Repair Manual</u> Jay Storer,John Harold Haynes,2006-02 Haynes offers the best coverage for cars trucks vans SUVs and motorcycles on the market today Each manual contains easy to follow step by step instructions linked to hundreds of photographs and illustrations Included in every manual troubleshooting section to help identify specific problems tips that give valuable short cuts to make the job easier and eliminate the need for special tools notes cautions and warnings for the home mechanic color spark plug diagnosis and an easy to use index
<i>Toyota Highlander Lexus RX 300/330/350 Haynes Repair Manual</i> Editors of Haynes Manuals,2020-02-25 Complete step by step repair and maintenance information 700 photos and wiring diagrams all based on a full disassembly and reassembly of the vehicle
<u>Toyota Camry and Lexus ES 300 Automotive Repair Manual</u> Robert Phillip Maddox,Jay Storer,John Harold Haynes,2000
<b>Toyota Highlander Lexus RX 300/330 1999 Thru 2007</b> John Haynes,2010-09-01 Haynes manuals are written specifically for the do it yourselfer yet are complete enough to be used by professional mechanics Since 1960 Haynes has produced manuals written from hands on experience based on a vehicle teardown with hundreds of photos and illustrations making Haynes the world leader in automotive repair information
<b>Lexus 1992 Repair Manual ES 300</b> Toyota Jidōsha Kabushiki Kaisha,1992
<u>Chilton's Toyota/Lexus Repair Manual 1988-1992</u> Kerry A. Freeman,1992 Provides step by step instructions
<b>Kawasaki 250, 350 and 400 Triples Owners Workshop Manual</b> John Haynes,1989-06-29 Haynes disassembles every subject vehicle and documents every step with thorough instructions and clear photos Haynes repair manuals are used by the pros but written for the do it yourselfer
<u>TOYOTA CAMRY ONLINE AUTO REPAIR MANUAL</u> HAYNES MANUALS.,2020
<i>Motor Repair Manual ... P.P. - London. - Motor</i> ,1938
<u>Kawasaki ZX600 (GPZ600R, GPX600R, Ninja 600R and RX) ZX 750 (GPX750R, Ninja 750R) 1985 to 1997</u> John Haynes,1998-02-05 Haynes offers the best coverage for cars trucks vans SUVs and motorcycles on the market today Each manual contains easy to follow step by step instructions linked to hundreds of photographs and illustrations Included in every manual troubleshooting section to help identify specific problems tips that give valuable short cuts to make the job easier and eliminate the need for special tools notes cautions and warnings for the home mechanic color spark plug diagnosis and an easy to use index
<b>2018 Lexus IS300 Owner Manual Compatible with OEM Owners Manual, Factory Glovebox Book</b> Helming,2018-02-09

**Kawasaki KMX125 and 200 Service and Repair Manual** Julian Ryder,1995-10-01 KMX125B 124cc 86 02 KMX125A 124cc 86 01  
KMX200A 124cc 88 92

**Motors Auto Repair Manual ....1962-68 Models.-31st Ed** ,1968

**2019 Lexus IS300 Owner Manual Compatible with OEM Owners Manual, Factory Glovebox Book** Helming,2019-02-14

**BMW Repair Manual** BMW Motorrad GmbH & Co,1985

'The Motor' Repair Manual ,1955

**Suzuki GSX-R and Katana GSX-F** John Haynes,1998-01-01 HY SUZ GSX R750 85 96

## Unveiling the Magic of Words: A Report on "**Lexus Is250 Repair Manual**"

In some sort of defined by information and interconnectivity, the enchanting power of words has acquired unparalleled significance. Their power to kindle emotions, provoke contemplation, and ignite transformative change is truly awe-inspiring. Enter the realm of "**Lexus Is250 Repair Manual**," a mesmerizing literary masterpiece penned by way of a distinguished author, guiding readers on a profound journey to unravel the secrets and potential hidden within every word. In this critique, we shall delve in to the book is central themes, examine its distinctive writing style, and assess its profound effect on the souls of its readers.

[https://offsite.creighton.edu/results/book-search/Documents/Friendship\\_Scavenger\\_Hunt.pdf](https://offsite.creighton.edu/results/book-search/Documents/Friendship_Scavenger_Hunt.pdf)

<https://offsite.creighton.edu/results/book-search/Documents/from%20ruins%20we%20rise.pdf>

<https://offsite.creighton.edu/results/book-search/Documents/fur%20elise%20music%20sheet.pdf>

### **Table of Contents Lexus Is250 Repair Manual**

1. Understanding the eBook Lexus Is250 Repair Manual
  - The Rise of Digital Reading Lexus Is250 Repair Manual
  - Advantages of eBooks Over Traditional Books
2. Identifying Lexus Is250 Repair Manual
  - Exploring Different Genres
  - Considering Fiction vs. Non-Fiction
  - Determining Your Reading Goals
3. Choosing the Right eBook Platform
  - Popular eBook Platforms
  - Features to Look for in an Lexus Is250 Repair Manual
  - User-Friendly Interface
4. Exploring eBook Recommendations from Lexus Is250 Repair Manual
  - Personalized Recommendations
  - Lexus Is250 Repair Manual User Reviews and Ratings
  - Lexus Is250 Repair Manual and Bestseller Lists

5. Accessing Lexus Is250 Repair Manual Free and Paid eBooks
  - Lexus Is250 Repair Manual Public Domain eBooks
  - Lexus Is250 Repair Manual eBook Subscription Services
  - Lexus Is250 Repair Manual Budget-Friendly Options
6. Navigating Lexus Is250 Repair Manual eBook Formats
  - ePub, PDF, MOBI, and More
  - Lexus Is250 Repair Manual Compatibility with Devices
  - Lexus Is250 Repair Manual Enhanced eBook Features
7. Enhancing Your Reading Experience
  - Adjustable Fonts and Text Sizes of Lexus Is250 Repair Manual
  - Highlighting and Note-Taking Lexus Is250 Repair Manual
  - Interactive Elements Lexus Is250 Repair Manual
8. Staying Engaged with Lexus Is250 Repair Manual
  - Joining Online Reading Communities
  - Participating in Virtual Book Clubs
  - Following Authors and Publishers Lexus Is250 Repair Manual
9. Balancing eBooks and Physical Books Lexus Is250 Repair Manual
  - Benefits of a Digital Library
  - Creating a Diverse Reading Collection Lexus Is250 Repair Manual
10. Overcoming Reading Challenges
  - Dealing with Digital Eye Strain
  - Minimizing Distractions
  - Managing Screen Time
11. Cultivating a Reading Routine Lexus Is250 Repair Manual
  - Setting Reading Goals Lexus Is250 Repair Manual
  - Carving Out Dedicated Reading Time
12. Sourcing Reliable Information of Lexus Is250 Repair Manual
  - Fact-Checking eBook Content of Lexus Is250 Repair Manual
  - Distinguishing Credible Sources
13. Promoting Lifelong Learning

- Utilizing eBooks for Skill Development
  - Exploring Educational eBooks
14. Embracing eBook Trends
- Integration of Multimedia Elements
  - Interactive and Gamified eBooks

### **Lexus Is250 Repair Manual Introduction**

In today's digital age, the availability of Lexus Is250 Repair Manual books and manuals for download has revolutionized the way we access information. Gone are the days of physically flipping through pages and carrying heavy textbooks or manuals. With just a few clicks, we can now access a wealth of knowledge from the comfort of our own homes or on the go. This article will explore the advantages of Lexus Is250 Repair Manual books and manuals for download, along with some popular platforms that offer these resources. One of the significant advantages of Lexus Is250 Repair Manual books and manuals for download is the cost-saving aspect. Traditional books and manuals can be costly, especially if you need to purchase several of them for educational or professional purposes. By accessing Lexus Is250 Repair Manual versions, you eliminate the need to spend money on physical copies. This not only saves you money but also reduces the environmental impact associated with book production and transportation. Furthermore, Lexus Is250 Repair Manual books and manuals for download are incredibly convenient. With just a computer or smartphone and an internet connection, you can access a vast library of resources on any subject imaginable. Whether you're a student looking for textbooks, a professional seeking industry-specific manuals, or someone interested in self-improvement, these digital resources provide an efficient and accessible means of acquiring knowledge. Moreover, PDF books and manuals offer a range of benefits compared to other digital formats. PDF files are designed to retain their formatting regardless of the device used to open them. This ensures that the content appears exactly as intended by the author, with no loss of formatting or missing graphics. Additionally, PDF files can be easily annotated, bookmarked, and searched for specific terms, making them highly practical for studying or referencing. When it comes to accessing Lexus Is250 Repair Manual books and manuals, several platforms offer an extensive collection of resources. One such platform is Project Gutenberg, a nonprofit organization that provides over 60,000 free eBooks. These books are primarily in the public domain, meaning they can be freely distributed and downloaded. Project Gutenberg offers a wide range of classic literature, making it an excellent resource for literature enthusiasts. Another popular platform for Lexus Is250 Repair Manual books and manuals is Open Library. Open Library is an initiative of the Internet Archive, a nonprofit organization dedicated to digitizing cultural artifacts and making them accessible to the public. Open Library hosts millions of books, including both public domain works and contemporary titles. It also allows users to borrow digital copies of

certain books for a limited period, similar to a library lending system. Additionally, many universities and educational institutions have their own digital libraries that provide free access to PDF books and manuals. These libraries often offer academic texts, research papers, and technical manuals, making them invaluable resources for students and researchers. Some notable examples include MIT OpenCourseWare, which offers free access to course materials from the Massachusetts Institute of Technology, and the Digital Public Library of America, which provides a vast collection of digitized books and historical documents. In conclusion, Lexus Is250 Repair Manual books and manuals for download have transformed the way we access information. They provide a cost-effective and convenient means of acquiring knowledge, offering the ability to access a vast library of resources at our fingertips. With platforms like Project Gutenberg, Open Library, and various digital libraries offered by educational institutions, we have access to an ever-expanding collection of books and manuals. Whether for educational, professional, or personal purposes, these digital resources serve as valuable tools for continuous learning and self-improvement. So why not take advantage of the vast world of Lexus Is250 Repair Manual books and manuals for download and embark on your journey of knowledge?

### **FAQs About Lexus Is250 Repair Manual Books**

1. Where can I buy Lexus Is250 Repair Manual books? Bookstores: Physical bookstores like Barnes & Noble, Waterstones, and independent local stores. Online Retailers: Amazon, Book Depository, and various online bookstores offer a wide range of books in physical and digital formats.
2. What are the different book formats available? Hardcover: Sturdy and durable, usually more expensive. Paperback: Cheaper, lighter, and more portable than hardcovers. E-books: Digital books available for e-readers like Kindle or software like Apple Books, Kindle, and Google Play Books.
3. How do I choose a Lexus Is250 Repair Manual book to read? Genres: Consider the genre you enjoy (fiction, non-fiction, mystery, sci-fi, etc.). Recommendations: Ask friends, join book clubs, or explore online reviews and recommendations. Author: If you like a particular author, you might enjoy more of their work.
4. How do I take care of Lexus Is250 Repair Manual books? Storage: Keep them away from direct sunlight and in a dry environment. Handling: Avoid folding pages, use bookmarks, and handle them with clean hands. Cleaning: Gently dust the covers and pages occasionally.
5. Can I borrow books without buying them? Public Libraries: Local libraries offer a wide range of books for borrowing. Book Swaps: Community book exchanges or online platforms where people exchange books.



6. How can I track my reading progress or manage my book collection? Book Tracking Apps: Goodreads, LibraryThing, and Book Catalogue are popular apps for tracking your reading progress and managing book collections. Spreadsheets: You can create your own spreadsheet to track books read, ratings, and other details.
7. What are Lexus Is250 Repair Manual audiobooks, and where can I find them? Audiobooks: Audio recordings of books, perfect for listening while commuting or multitasking. Platforms: Audible, LibriVox, and Google Play Books offer a wide selection of audiobooks.
8. How do I support authors or the book industry? Buy Books: Purchase books from authors or independent bookstores. Reviews: Leave reviews on platforms like Goodreads or Amazon. Promotion: Share your favorite books on social media or recommend them to friends.
9. Are there book clubs or reading communities I can join? Local Clubs: Check for local book clubs in libraries or community centers. Online Communities: Platforms like Goodreads have virtual book clubs and discussion groups.
10. Can I read Lexus Is250 Repair Manual books for free? Public Domain Books: Many classic books are available for free as they're in the public domain. Free E-books: Some websites offer free e-books legally, like Project Gutenberg or Open Library.

### **Find Lexus Is250 Repair Manual :**

[friendship scavenger hunt](#)

**from ruins we rise**

*fur elise music sheet*

**free rfi template word**

**fundamentals proctored exam ati**

[fun facts about peppa pig](#)

**four laws of agreement**

~~free black's law dictionary pdf~~

*front view of female anatomy*

[funniest clean memes](#)

*fu meaning japanese*

[funny sales meeting themes](#)

**fun chinese learning games**

funny mad memes

## **fraction problems with answers**

### **Lexus Is250 Repair Manual :**

Armorial of railways in Great Britain Railways in Great Britain have a spotted history with heraldry. Though there are some examples of railway companies acquiring legitimate grants of arms from ... Railway Heraldry Railway heraldry. Discover heraldic devices created by a wide range of railway companies from the 18th to the 21st centuries, including company seals and ... Railway Heraldry: George Dow Book details · Print length. 272 pages · Language. English · Publisher. David & Charles PLC · Publication date. November 27, 1975 · ISBN-10. 0715371304 · ISBN- ... Railway Heraldry Railway heraldry. Discover heraldic devices created by a wide range of railway companies from the 18th to the 21st centuries, including company seals and ... Railway Heraldry Mar 28, 2013 — This symbolising the fertility and renewal of the country because of its rail infrastructure. These componants are seperated by four shamrocks ... Category:Locomotives in heraldry Jun 17, 2022 — All structured data from the file namespace is available under the Creative Commons CC0 License; all unstructured text is available under the ... Railway Heraldry with Gordon Casely Oct 30, 2021 — Scottish railways in modern times are no better. Casely recalled writing to the chief executive of the Great North Eastern Railway in 1996 ... RAILWAY HERALDRY by DOW GEORGE ISBN: 9780715358962 - 1st. - Hard Cover - DAVID & CHARLES - 1973 - Condition: VG - VG - Important standard reference work with details of the crests, ... Railway heraldry and other insignia: Dow, George Railway heraldry and other insignia ; FREE delivery November 20 - 24. Details ; Publisher, David & Charles; First Edition (January 1, 1973) ; Language, English. How To Escape Your Prison A Moral Reconation Therapy ... answers with How To Escape Your Prison A. Moral Reconation Therapy Workbook To get started finding How To Escape Your Prison A. Moral Reconation Therapy ... Mrt Workbook Answers Step 4 Assessment Of My Life (book) WebReduce prison costs. Why Does MRT Work? Currently in 50 states and 7 different ... Start your eBook Mrt Workbook Answers Step 4 Assessment Of My Life. FAQs ... How To Escape Your Prison The workbook addresses all of the issues related to criminal thinking and criminal needs. Target Population & Use. The book is used with all types of offenders ... Moral Reconation Therapy How to Escape Your Prison. • Prisons without walls. • Moral Reconation Therapy. Textbook. • Influence of those incarcerated. • Purchased by the client for \$25. Focus4 2E Workbook Answers | PDF | Cognition © Pearson Education Limited Focus 4 Second Edition 1. Workbook answer key. 4 incorrect - Check if a photo is Exercise 7 Exercise 7 Exercise 5 required in the ... Mrt Workbook Answers Recognizing thequirk ways to getthis books How ToEscape YourPrison WorkbookAnswers ... Workbook Answers">How To Escape Your Prison Workbook Answers. PDF Mrt ... Chains Study Guide and Student Workbook Forensic CBT: A Handbook for Clinical Practice Prentice Hall Literature, Grade 10: Common Core Edition Our resource for Prentice Hall Literature, Grade 10:

Common Core Edition includes answers to chapter exercises, as well as detailed information to walk you ... Literature: All-in-One Workbook - Answer Key (Grade 10) ... Buy Literature: All-in-One Workbook - Answer Key (Grade 10) (CA) by Prentice Hall at Barnes & Noble. Pearson Literature Grade 10 - 9780133319859 - Quizlet Our resource for Pearson Literature Grade 10 includes answers to chapter exercises, as well as detailed information to walk you through the process step by step ... Prentice Hall Literature All - In - One - Workbook Answer ... Paperback Grade Ten PRENTICE HALL LITERATURE All-In-One Workbook ANSWER KEY. ... Book reviews, interviews, editors' picks, and more. Prentice Hall literature. [Grade 10] Oct 31, 2020 — Prentice Hall literature. [Grade 10] ; Publisher: Upper Saddle River, N.J. : Pearson/Prentice Hall ; Collection: inlibrary; printdisabled; ... Prentice hall literature grade 10 answers .pdf Oct 10, 2023 — Prentice Hall Literature, Grade 12: Common Core. Edition Prentice Hall Literature Prentice Hall Literature. Prentice Hall Literature ... Hmh Into Literature Grade 10 Answer Key (book) Apr 1, 2013 — Literacy Centers Level 3 Kelly Hackett 2013-04-01 With a focus on early literacy skills, this resource supports third grade teachers in ... Prentice Hall Literature Common Core Edition - Pearson Jan 10, 2015 — Prentice Hall Literature Common Core Edition - Pearson. Prentice Hall Literature All - In - One - Workbook Answer ... Prentice Hall Literature All - In - One - Workbook Answer Key Grade 10 National Edition / 9780133668261 / 0133668266 by Hall, Prentice. by Hall, Prentice.