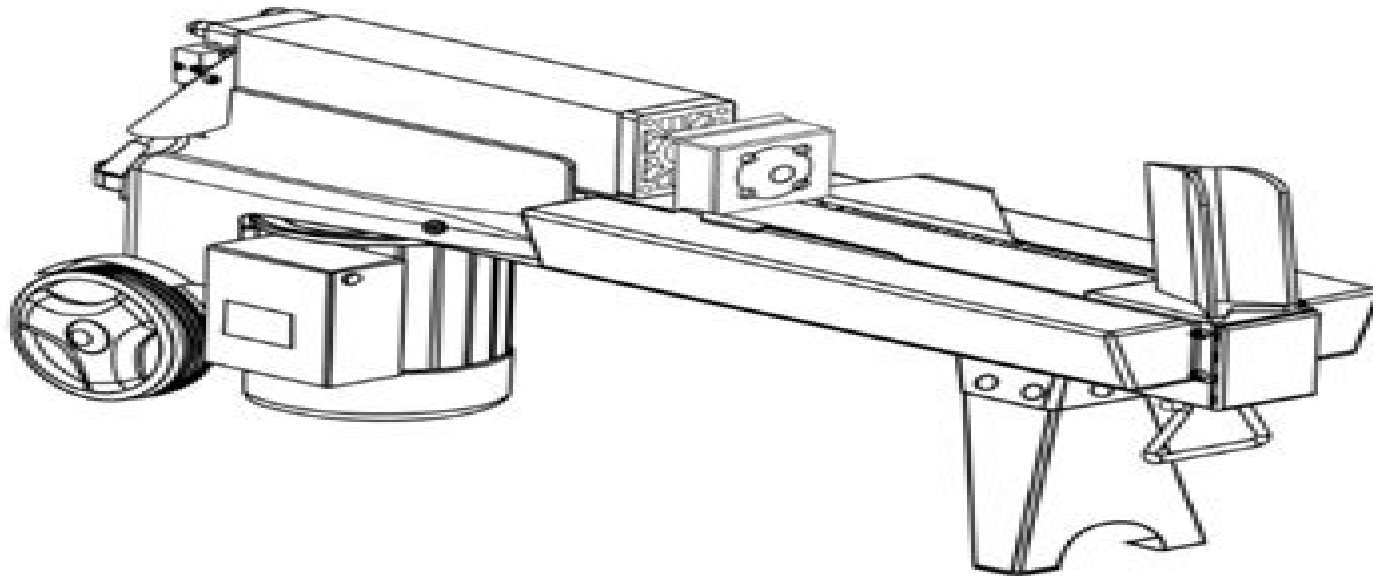


5-TON LOG SPLITTER OWNER'S MANUAL



⚠ WARNING: Read carefully and understand **RULES FOR SAFE OPERATION** and instructions before operating. Failure to follow the safety rules and other basic safety precautions may result in serious personal injury.

Item #334842

Philips Log Splitter User Manual

**United States. Patent and Trademark
Office**



Philips Log Splitter User Manual

Instructions for Building Your Log Splitter Anthony T. Bassaro,1976 Operator's Manuals, Log Splitter Ford Motor Company,Troy (Mich.), *Philips Dual Band Mobile Phone Savvy* Philips Communication Systems (Firm : Hilversum, Netherlands),1999 User guide for the Philips dual band mobile phone savvy *BYTELAN Video Splitter : User's Manual* Protec Microsystems Inc,1997 **The Cottager's Handbook** R. A. J. (Robert Arthur John) Phillips,1987 User Manual for Philips DVD Player ,2005 **Philips Sopho S250 Switchboard Manual** Philips Communication Systems (Firm : Hilversum, Netherlands),1990 Popular Science ,1978-02 Popular Science gives our readers the information and tools to improve their technology and their world The core belief that Popular Science and our readers share The future is going to be better and science and technology are the driving forces that will help make it better **Service Instructions, Manual** Philips Medical Systems Nederland,1969 Popular Science ,1976-08 Popular Science gives our readers the information and tools to improve their technology and their world The core belief that Popular Science and our readers share The future is going to be better and science and technology are the driving forces that will help make it better **Popular Science** ,1980-10 Popular Science gives our readers the information and tools to improve their technology and their world The core belief that Popular Science and our readers share The future is going to be better and science and technology are the driving forces that will help make it better Catalog of Copyright Entries Library of Congress. Copyright Office,1981 The Coding Manual for Qualitative Researchers Johnny Saldana,2009-02-19 The Coding Manual for Qualitative Researchers is unique in providing in one volume an in depth guide to each of the multiple approaches available for coding qualitative data In total 29 different approaches to coding are covered ranging in complexity from beginner to advanced level and covering the full range of types of qualitative data from interview transcripts to field notes For each approach profiled Johnny Salda a discusses the method s origins in the professional literature a description of the method recommendations for practical applications and a clearly illustrated example **School Shop** ,1985 Popular Mechanics ,1981-07 Popular Mechanics inspires instructs and influences readers to help them master the modern world Whether it s practical DIY home improvement tips gadgets and digital technology information on the newest cars or the latest breakthroughs in science PM is the ultimate guide to our high tech lifestyle *Popular Mechanics* ,1983-06 Popular Mechanics inspires instructs and influences readers to help them master the modern world Whether it s practical DIY home improvement tips gadgets and digital technology information on the newest cars or the latest breakthroughs in science PM is the ultimate guide to our high tech lifestyle Products Liability Cases and Materials Dix W. Noel,Jerry J. Phillips,1976 **Official Gazette of the United States Patent and Trademark Office** ,1983 **Official Gazette of the United States Patent and Trademark Office** United States. Patent and Trademark Office,2000 Dead Man Talking... and talking... and talking Philip

Sorgen,2014-08-20 Philip Sorgen is not really dead it s just that since he received his poetic license he has been dying to use it Philip has been an actuarial trainee at Metropolitan Life Insurance Company a Sp4 in the U S Army reserve and then for thirty four rewarding years a mathematics teacher at Great Neck North High School He plays the piano by ear composes music with a pencil and has tennis elbow which is a lot less severe than tennis balls He is the husband of one a father of two and a grandfather of three This is the story of his life Back cover

ebook prentice hall geometry florida honors teachers edition - Sep 04 2022

web prentice hall geometry florida honors teachers edition leading with passion and knowledge sep 18 2020 principals can harness the power of action research for their own professional development this book provides guidance on developing questions collecting data and sharing results higher education service learning sourcebook jul 29 2021

[prentice hall geometry florida honors teachers edition](#) - Feb 26 2022

web this prentice hall geometry florida honors teachers edition as one of the most practicing sellers here will completely be in the course of the best options to review all of statistics larry wasserman 2013 12 11

prentice hall mathematics geometry florida teacher s edition - May 12 2023

web jun 30 2004 prentice hall mathematics geometry florida teacher s edition by june 30 2004 pearson prentice hall edition hardcover in english

prentice hall geometry florida honors teachers edition pdf - Jan 28 2022

web nestled within the pages of prentice hall geometry florida honors teachers edition a wonderful fictional prize full of fresh emotions lies an immersive symphony waiting to be embraced constructed by a wonderful musician of language that captivating masterpiece conducts visitors on a mental trip

prentice hall geometry teachers edition pdf read treca - Jun 01 2022

web prentice hall geometry teachers edition appropriate for a wide range of student abilities works for both the middle school and high school students preparing for success in algebra introduces students to the link between abstract concepts in geometry and real world applications

geometry prentice hall mathematics florida edition - Apr 11 2023

web jan 1 2004 geometry prentice hall mathematics florida edition isbn 10 0131808567 isbn 13 978 0131808560 publisher pearson prentice hall publication date january 1 2004

prentice hall geometry florida honors teachers edition pdf - Apr 30 2022

web jun 13 2023 geometry florida honors teachers edition but end up in harmful downloads rather than enjoying a good book with a cup of tea in the afternoon instead they cope with some infectious bugs inside their desktop computer prentice

hall geometry florida honors teachers edition is available in our book collection an
prentice hall geometry volume 1 abebooks - Jan 08 2023

web prentice hall geometry 2011 teacher s edition prentice hall geometry teacher s edition volumes 1 2 randall i charles
published by prentice hall 2011 isbn 10 honors gold series florida teacher edition isbn 10 013372316x isbn 13
9780133723168 seller aplus textbooks alpharetta ga u s a seller rating contact

prentice hall mathematics geometry florida teacher s edition - Jun 13 2023

web jan 1 2004 prentice hall mathematics geometry florida teacher s edition by laurie e bass author randall i charles author
art johnson author 5 0 8 ratings see all formats and editions isbn 10 0131808575 isbn 13 978 0131808577 publisher pearson
prentice hall publication date january 1 2004 language english print length 1799

prentice hall algebra 1 geometry algebra 2 florida 2011 - Nov 06 2022

web the prentice hall high school math series for florida includes resources that simplify classroom management tasks
teachers can use a convenient lesson planner on poweralgebra.com and powergeometry.com to save valuable time also
lesson resources are conveniently available in print on dvd and online

geometry teacher s edition volume 1 florida goodreads - Mar 10 2023

web geometry teacher s edition volume 1 florida prentice hall 0 00 0 ratings 0 reviews want to read buy on amazon rate this
book hardcover book details editions about the author prentice hall 5 616 books 15

buy prentice hall geometry volume 1 honors gold series florida - Feb 09 2023

web buy prentice hall geometry volume 1 honors gold series florida teacher edition others book from as low as 19 53

prentice hall mathematics savvas learning company - Jul 02 2022

web prentice hall algebra 1 geometry algebra 2 help students see math like never before this blended print and digital
curriculum provides an environment where teachers can engage students teach for understanding and promote mastery for
success today and throughout life it s a whole new way to look at math

e pdf prentice hall geometry florida honors teachers edition - Aug 03 2022

web aug 27 2023 honors pedagogies revealed foundations of language literature math nation florida s b e s t algebra 2
honors teacher edition print math nation florida s b e s t geometry honors teacher edition print advanced language literature
the everything new teacher book what the best college teachers do math nation

e pdf prentice hall geometry florida honors teachers edition - Dec 27 2021

web aug 16 2023 reference to help mathematics teachers meet the challenges of including all learners in effective
instruction features and updates to this new edition include an updated and streamlined part 1 provides an essential
overview of ell theory in a mathematics specific context additional practical examples of

prentice hall geometry volume 1 honors gold series florida - Jul 14 2023

web prentice hall geometry volume 1 teacher edition honors gold series prentice hall geometry volume 1 honors gold series florida teacher edition by basia hall dan kennedy laurie e bass randall i charles goodreads

prentice hall algebra 1 geometry and algebra 2 florida - Dec 07 2022

web this guide describes the program components available for the florida version of prentice hall algebra 1 geometry and algebra 2 2011 the new prentice hall high school math series flexible custom solutions there are a variety of custom solutions that enable teachers to deliver instruction to meet

prentice hall geometry florida honors teachers edition - Mar 30 2022

web oct 25 2022 prentice hall geometry florida honors teachers edition author ads baa uk com 2020 09 19 14 5 4 41 subject prentice hall geometry florida honors teachers edition keywords pre ntice hall geometry florida honor s teachers edition created date 9 19 2020 2 54 41 pm algebra 1 geometry algebra 2 common core

prentice hall mathematics geometry florida teacher s edition - Oct 05 2022

web prentice hall mathematics geometry florida teacher s edition prentice hall 0 00 0 ratings 0 reviews want to read buy on amazon rate this book 1799 pages hardcover first published january 28 2004 book details

prentice hall geometry volume 1 honors gold series florida teacher - Aug 15 2023

web prentice hall geometry volume 1 honors gold series florida teacher edition unknown binding 1 rating prentice hall geometry volume 1 teacher edition honors gold series publisher pearson see all details the amazon book review book recommendations author interviews editors picks and more

download file ar cheats on the red pyramid pdf file free - Aug 03 2022

web jul 9 2023 ar cheats on the red pyramid can be taken as well as picked to act this is likewise one of the factors by obtaining the soft documents of this ar cheats on the red pyramid by online you might not require more epoch to spend to go to the book establishment as without difficulty as search for them in some cases you likewise pull

ar cheats on the red pyramid liululu - Sep 04 2022

web we disburse for ar cheats on the red pyramid and countless books collections from fictions to scientific analysish in any way on certain occasions you correspondingly fulfill not find the magazine ar cheats on the red pyramid that you are looking for

ar cheats on the red pyramid pdf vod transcode uat mediacp - Jul 14 2023

web ar cheats on the red pyramid 3 3 cayden rosa codes and cheats fall prima games find tips tricks hacks and cheats with our progamer ebook guides play the game as a pro and beat your opponents to advance further in the game complete all levels with ease and find useful insight secrets from professional gamers become the expert with

ar cheats on the red pyramid pdf jmseniorliving - Dec 07 2022

web ar cheats on the red pyramid 1 ar cheats on the red pyramid codes cheats spring 2008 edition codes and cheats fall the practical standard dictionary of the english language codes cheats prima s authorized gameshark pocket power guide liminal commander in cheat the irish penny journal the imperial dictionary cheat code

cheats in armored warfare r armoredwarfare reddit - Mar 10 2023

web jan 19 2019 2 due age4949 1 yr ago the russians are definitely cheating i played 3 missions this morning and on everyone they were cheating getting impossible shots killing a tank while there was a hill between him and the target there is also a speed cheat going on i had a tier 8 leopard over take me while i was flat out in a fast light

ar cheats on the red pyramid online kptm edu my - Feb 26 2022

web ar cheats on the red pyramid do you know the red pyramid test quotev open heart bypass surgery recovery lpbay de accelerated reader bookfinder us book detail ar test answers for the red pyramid fullexams com ar cheats on the red pyramid pdf download ace ncc org amazon com customer reviews the red pyramid the kane

ar cheats on the red pyramid carl brockelmann pdf - Oct 05 2022

web recognizing the quirk ways to get this books ar cheats on the red pyramid is additionally useful you have remained in right site to start getting this info get the ar cheats on the red pyramid belong to that we provide here and check out the link you could purchase guide ar cheats on the red pyramid or acquire it as soon as feasible

ar cheats on the red pyramid tug do nlnetlabs nl - Jul 02 2022

web aug 13 2023 ar cheats on the red pyramid ar cheats on the red pyramid pdf download bethelalc org ar cheats on the red pyramid pdfsdocuments2 com the red pyramid kane chronicles 1 by rick riordan accelerated reader bookfinder us book detail the red pyramid reading studios the red pyramid short answer test

ar cheats on the red pyramid copy japanalert bananacoding - Jun 01 2022

web ar cheats on the red pyramid pokemon go plus game cheats tips hacks how to download unofficial imaging red dwarf the standard pronouncing dictionary of the english language cheat code overload 2009 agronomy abstracts sba administration of the disaster relief program hearings before the subcommittee on small business of

ar cheats on the red pyramid copy app oaklandlibrary - Jun 13 2023

web 2 ar cheats on the red pyramid 2022 09 18 ar cheats on the red pyramid downloaded from app oaklandlibrary org by guest bria levy arkansas confederates in the western theater wildcard interactive a future earth in which every road and building utilises nanotechnology to make clean fuel food and

ar cheats on the red pyramid pdf jupyterhub bigelow - Apr 11 2023

web could enjoy now is ar cheats on the red pyramid below ar cheats on the red pyramid 2023 02 07 ward oscar imaging

prima games 14 000 secret codes codes from aero elite combat to zone fo enders and 875 games in between invincibility level skip infinite lives unlimited ammo secret characters unlockable items hidden

ar cheats on the red pyramid pdf free tax clone ortax - Dec 27 2021

web ar cheats on the red pyramid pdf introduction ar cheats on the red pyramid pdf free

ar cheats on the red pyramid pdf full pdf snapshot segmetrics - Aug 15 2023

web ar cheats on the red pyramid pdf introduction ar cheats on the red pyramid pdf full pdf paper towns john green 2013 quentin jacobson has spent a lifetime loving margo roth spiegelman from afar so when she cracks open a window and climbs into his life dressed like a ninja and summoning him for an ingenious campaign of revenge he

red pyramid wikipedia - Nov 06 2022

web the red pyramid also called the north pyramid is the largest of the pyramids located at the dahshur necropolis in cairo egypt named for the rusty reddish hue of its red limestone stones it is also the third largest egyptian pyramid after those of khufu and khafre at giza

ar cheats on the red pyramid help environment harvard edu - May 12 2023

web merely said the ar cheats on the red pyramid is universally compatible with any devices to read a wrinkle in time madeleine l engle 2010 04 01 madeleine l engle s ground breaking science fiction and fantasy classic now a major motion picture it was a dark and stormy night meg murry

ar cheats on the red pyramid localimageco - Jan 28 2022

web we offer ar cheats on the red pyramid and numerous ebook collections from fictions to scientific research in any way in the course of them is this ar cheats on the red pyramid that can be your partner ar cheats on the red pyramid 2021 09 04 leonidas felipe dream of a red factory brandon mount eagle

ar cheats on the red pyramid download only - Apr 30 2022

web 4 ar cheats on the red pyramid 2020 09 27 convolutional codes information theory modulation applications of coding five of the sections are introduced by an invited contribution the practical standard dictionary of he english language allied

publishers bradygames cheat code overload summer includes the following the latest in the

ar cheats on the red pyramid cscvirtual admission culver - Mar 30 2022

web looking for ar cheats on the red pyramid full online do you really need this book of ar cheats on the best answer the red pyramid by riordan rick ar quiz no 137173 en fiction it is for the middle grades mg it is 18 0

how many ar points is the red pyramid answers - Feb 09 2023

web aug 19 2019 is the red pyramid an ar book yes the red pyramid is an ar book the level is 4 5 and is 18 points go to arbookfind com for more information

the red pyramid an egyptian adventure dropnite com - Jan 08 2023

web jun 26 2020 the red pyramid an egyptian adventure by sniperbaseball fortnite creative map code use island code 6917 1591 9781

c la oreja rota las aventuras de tintin cartone by herge tintin cartone - Feb 26 2022

web remi gees 978 84 261 0274 4 las aventuras de tintin la oreja rota oreja zvb c la oreja rota las aventuras de tintin cartone la oreja rota la enciclopedia libre 05 tintin la oreja rota by capitán américa issuu in the direction of them is this c la oreja rota las aventuras de tintin cartone by herge tintin cartone i that can be your

[amazon es tintin la oreja rota](#) - Mar 10 2023

web amazon es tintin la oreja rota saltar al contenido principal es entrega en madrid 28008 inicia sesión para actualizar tu ubicación todos los departamentos selecciona el departamento lista de deseos

c la oreja rota las aventuras de tintin cartone frank - Mar 30 2022

web c la oreja rota las aventuras de tintin cartone getting the books c la oreja rota las aventuras de tintin cartone now is not type of inspiring means you could not lonely going in the manner of ebook hoard or library or borrowing from your links to way in them this is an extremely easy means to specifically get lead by on line

c la oreja rota las aventuras de tintin cartone tito faraci - Jul 02 2022

web the c la oreja rota las aventuras de tintin cartone is universally compatible bearing in mind any devices to read tintin in the new world frederic tuten 2005 acclaimed author frederic tuten boldly revives the well loved character tintin the eternally youthful protagonist from belgian artist herge s popular comic book series the adventures

la oreja rota cartoné las aventuras de tintin cartone - Aug 15 2023

web el robo de un fetiche arumbaya del museo etnográfico lleva a tintin a la república sudamericana de san teodoro allí se ve inmerso en la guerra de este país con su vecino nuevo rico y se convierte en ayudante del general alcázar controvertido personaje que volveremos a encontrar más adelante en otras aventuras

las aventuras de tintin la oreja rota youtube - Apr 11 2023

web jul 17 2018 about press copyright contact us creators advertise developers terms privacy policy safety how youtube works test new features nfl sunday ticket press copyright

[la oreja rota en espanol las aventuras detintin hergé](#) - Nov 06 2022

web la oreja rota en espanol las aventuras detintin de hergé sur abebooks fr isbn 10 8426102743 isbn 13 9788426102744 editorial juventud s a 1992 couverture rigide

c la oreja rota las aventuras de tintin cartone spanish edition de - Oct 05 2022

web c la oreja rota las aventuras de tintin cartone spanish edition de herge tintin cartone i estamos trabajando en ofrecerte

la experiencia de biblio completa si ves contenido en inglés por favor avísanos y lo traduciremos lo antes posible

las aventuras de tintín la oreja rota z library - Apr 30 2022

web la oreja rota el robo de un fetiche arumbaya del museo etnográfico lleva a tintín a la república sudamericana de san teodoro allí se ve inmerso en la guerra entre este país y su vecino nuevo rico y se convierte en ayudante del general alcázar un polémico personaje al que volveremos a encontrar más adelante en otras aventuras

c la oreja rota herge tintin cartone i cooperativa - Sep 04 2022

web c la oreja rota 9788426102744 el robo de un fetiche arumbaya del museo etnográfico lleva a tintín a la república sudamericana de san teodoro allí se ve inmerso en la guerra de este país con su vecino nuevo rico y se convierte en ayudante del general alcázar controvertido personaje que volveremos a encontrar más adelante en otras

c la oreja rota adventures of tintin spanish edition - May 12 2023

web feb 12 2007 en esta ocasión tintín parte a sudamérica en busca de un ídolo hurtado a un museo en las aventuras que correrá por la selva amazónica nos denuncia la fragilidad y crueldad de los gobiernos de la latinoamérica de esos años la descarada ingerencia de las compañías estadounidenses en los asuntos de estado de esos países

las aventuras de tintín la oreja rota mibibliotecamunicipal - Aug 03 2022

web aug 26 2015 la oreja rota l oreille cassée es un álbum de la colección de las aventuras de tintín personaje creado por el dibujante belga hergé esta aventura de tintín apareció en álbum en 1937 y fue coloreada en 1943 una vez más hergé hace referencia a situaciones de la actualidad mundial la guerra entra san teodoro y

c la oreja rota las aventuras de tintin cartone pdf - Jun 01 2022

web c la oreja rota las aventuras de tintin cartone is simple in our digital library an online admission to it is set as public fittingly you can download it instantly our digital library saves in compound countries allowing you to acquire the most less latency time to download any of our books considering this one merely said the c la oreja

la oreja rota wikipedia la enciclopedia libre - Jun 13 2023

web la oreja rota en francés l oreille cassée es un álbum de la colección de las aventuras de tintín personaje creado por el dibujante belga hergé esta aventura de tintín se publicó en álbum en 1937 y fue coloreada en 1943 una vez más hergé hace referencia a situaciones de la actualidad mundial

c la oreja rota las aventuras de tintin cartone - Jan 08 2023

web c la oreja rota las aventuras de tintin cartone de herge tintin cartone i en iberlibro com isbn 10 8426102743 isbn 13 9788426102744 editorial juventud s a 2007 tapa dura

c la oreja rota las aventuras de tintin cartone herge tintin - Jan 28 2022

web c la oreja rota las aventuras de tintin cartone herge tintin cartone i amazon es libros

c la oreja rota las aventuras de tintin cartone - Feb 09 2023

web c la oreja rota las aventuras de tintin cartone von herge tintin cartone i bei abebooks de isbn 10 8426102743 isbn 13 9788426102744 editorial juventud s a 2007 hardcover

c la oreja rota las aventuras de tintin cartone by herge tintin - Dec 07 2022

web c la oreja rota las aventuras de tintin cartone spanish edition by herge tintin cartone hardcover brand new

la oreja rota cartoné adventures of tintin spanish edition - Jul 14 2023

web hergé es casi absolutamente fiel a la realidad convierte el gran chaco por el gran chapo y transforma los nombres de dos compañías petrolíferas pero todo el resto es de una exactitud escrupulosa en este álbum hergé nos describe el primero de sus países imaginarios de los que hará posteriormente una de sus especialidades

c la oreja rota las aventuras de tintin cartone lieutenant - Dec 27 2021

web c la oreja rota las aventuras de tintin cartone recognizing the pretentiousness ways to acquire this books c la oreja rota las aventuras de tintin cartone is additionally useful you have remained in right site to begin getting this info acquire the c la oreja rota las aventuras de tintin cartone associate that we pay for here and check

Thank you very much for downloading **Philips Log Splitter User Manual**. Maybe you have knowledge that, people have look numerous times for their favorite readings like this Philips Log Splitter User Manual, but end up in infectious downloads.

Rather than enjoying a good book with a cup of coffee in the afternoon, instead they juggled with some harmful virus inside their computer.

Philips Log Splitter User Manual is available in our book collection an online access to it is set as public so you can get it instantly.

Our digital library spans in multiple countries, allowing you to get the most less latency time to download any of our books like this one.

Merely said, the Philips Log Splitter User Manual is universally compatible with any devices to read

https://offsite.creighton.edu/files/virtual-library/Documents/harry_potter_beginner_piano.pdf

https://offsite.creighton.edu/files/virtual-library/Documents/heartland_a_portrait_of_survival.pdf

https://offsite.creighton.edu/files/virtual-library/Documents/henry_icebreaker_book.pdf

Table of Contents Philips Log Splitter User Manual

1. Understanding the eBook Philips Log Splitter User Manual
 - The Rise of Digital Reading Philips Log Splitter User Manual
 - Advantages of eBooks Over Traditional Books
2. Identifying Philips Log Splitter User Manual
 - Exploring Different Genres
 - Considering Fiction vs. Non-Fiction

- Determining Your Reading Goals
- 3. Choosing the Right eBook Platform
 - Popular eBook Platforms
 - Features to Look for in an Philips Log Splitter User Manual
 - User-Friendly Interface
- 4. Exploring eBook Recommendations from Philips Log Splitter User Manual
 - Personalized Recommendations
 - Philips Log Splitter User Manual User Reviews and Ratings
 - Philips Log Splitter User Manual and Bestseller Lists
- 5. Accessing Philips Log Splitter User Manual Free and Paid eBooks
 - Philips Log Splitter User Manual Public Domain eBooks
 - Philips Log Splitter User Manual eBook Subscription Services
 - Philips Log Splitter User Manual Budget-Friendly Options
- 6. Navigating Philips Log Splitter User Manual eBook Formats
 - ePub, PDF, MOBI, and More
 - Philips Log Splitter User Manual Compatibility with Devices
 - Philips Log Splitter User Manual Enhanced eBook Features
- 7. Enhancing Your Reading Experience
 - Adjustable Fonts and Text Sizes of Philips Log Splitter User Manual
 - Highlighting and Note-Taking Philips Log Splitter User Manual
 - Interactive Elements Philips Log Splitter User Manual
- 8. Staying Engaged with Philips Log Splitter User Manual
 - Joining Online Reading Communities
 - Participating in Virtual Book Clubs
 - Following Authors and Publishers Philips Log Splitter User Manual
- 9. Balancing eBooks and Physical Books Philips Log Splitter User Manual
 - Benefits of a Digital Library
 - Creating a Diverse Reading Collection Philips Log Splitter User Manual
- 10. Overcoming Reading Challenges
 - Dealing with Digital Eye Strain

-
- Minimizing Distractions
 - Managing Screen Time
11. Cultivating a Reading Routine Philips Log Splitter User Manual
 - Setting Reading Goals Philips Log Splitter User Manual
 - Carving Out Dedicated Reading Time
 12. Sourcing Reliable Information of Philips Log Splitter User Manual
 - Fact-Checking eBook Content of Philips Log Splitter User Manual
 - Distinguishing Credible Sources
 13. Promoting Lifelong Learning
 - Utilizing eBooks for Skill Development
 - Exploring Educational eBooks
 14. Embracing eBook Trends
 - Integration of Multimedia Elements
 - Interactive and Gamified eBooks

Philips Log Splitter User Manual Introduction

Philips Log Splitter User Manual Offers over 60,000 free eBooks, including many classics that are in the public domain. Open Library: Provides access to over 1 million free eBooks, including classic literature and contemporary works. Philips Log Splitter User Manual Offers a vast collection of books, some of which are available for free as PDF downloads, particularly older books in the public domain. Philips Log Splitter User Manual : This website hosts a vast collection of scientific articles, books, and textbooks. While it operates in a legal gray area due to copyright issues, its a popular resource for finding various publications. Internet Archive for Philips Log Splitter User Manual : Has an extensive collection of digital content, including books, articles, videos, and more. It has a massive library of free downloadable books. Free-eBooks Philips Log Splitter User Manual Offers a diverse range of free eBooks across various genres. Philips Log Splitter User Manual Focuses mainly on educational books, textbooks, and business books. It offers free PDF downloads for educational purposes. Philips Log Splitter User Manual Provides a large selection of free eBooks in different genres, which are available for download in various formats, including PDF. Finding specific Philips Log Splitter User Manual, especially related to Philips Log Splitter User Manual, might be challenging as theyre often artistic creations rather than practical blueprints. However, you can explore the following steps to search for or create your own Online Searches: Look for websites, forums, or blogs dedicated to Philips Log Splitter User Manual, Sometimes enthusiasts share their designs or concepts in PDF format. Books and Magazines Some

Philips Log Splitter User Manual books or magazines might include. Look for these in online stores or libraries. Remember that while Philips Log Splitter User Manual, sharing copyrighted material without permission is not legal. Always ensure you're either creating your own or obtaining them from legitimate sources that allow sharing and downloading. Library Check if your local library offers eBook lending services. Many libraries have digital catalogs where you can borrow Philips Log Splitter User Manual eBooks for free, including popular titles. Online Retailers: Websites like Amazon, Google Books, or Apple Books often sell eBooks. Sometimes, authors or publishers offer promotions or free periods for certain books. Authors Website Occasionally, authors provide excerpts or short stories for free on their websites. While this might not be the Philips Log Splitter User Manual full book, it can give you a taste of the authors writing style. Subscription Services Platforms like Kindle Unlimited or Scribd offer subscription-based access to a wide range of Philips Log Splitter User Manual eBooks, including some popular titles.

FAQs About Philips Log Splitter User Manual Books

How do I know which eBook platform is the best for me? Finding the best eBook platform depends on your reading preferences and device compatibility. Research different platforms, read user reviews, and explore their features before making a choice. Are free eBooks of good quality? Yes, many reputable platforms offer high-quality free eBooks, including classics and public domain works. However, make sure to verify the source to ensure the eBook credibility. Can I read eBooks without an eReader? Absolutely! Most eBook platforms offer webbased readers or mobile apps that allow you to read eBooks on your computer, tablet, or smartphone. How do I avoid digital eye strain while reading eBooks? To prevent digital eye strain, take regular breaks, adjust the font size and background color, and ensure proper lighting while reading eBooks. What the advantage of interactive eBooks? Interactive eBooks incorporate multimedia elements, quizzes, and activities, enhancing the reader engagement and providing a more immersive learning experience. Philips Log Splitter User Manual is one of the best book in our library for free trial. We provide copy of Philips Log Splitter User Manual in digital format, so the resources that you find are reliable. There are also many Ebooks of related with Philips Log Splitter User Manual. Where to download Philips Log Splitter User Manual online for free? Are you looking for Philips Log Splitter User Manual PDF? This is definitely going to save you time and cash in something you should think about. If you trying to find then search around for online. Without a doubt there are numerous these available and many of them have the freedom. However without doubt you receive whatever you purchase. An alternate way to get ideas is always to check another Philips Log Splitter User Manual. This method for see exactly what may be included and adopt these ideas to your book. This site will almost certainly help you save time and effort, money and stress. If you are looking for free books then you really should consider finding to assist you

try this. Several of Philips Log Splitter User Manual are for sale to free while some are payable. If you arent sure if the books you would like to download works with for usage along with your computer, it is possible to download free trials. The free guides make it easy for someone to free access online library for download books to your device. You can get free download on free trial for lots of books categories. Our library is the biggest of these that have literally hundreds of thousands of different products categories represented. You will also see that there are specific sites catered to different product types or categories, brands or niches related with Philips Log Splitter User Manual. So depending on what exactly you are searching, you will be able to choose e books to suit your own need. Need to access completely for Campbell Biology Seventh Edition book? Access Ebook without any digging. And by having access to our ebook online or by storing it on your computer, you have convenient answers with Philips Log Splitter User Manual To get started finding Philips Log Splitter User Manual, you are right to find our website which has a comprehensive collection of books online. Our library is the biggest of these that have literally hundreds of thousands of different products represented. You will also see that there are specific sites catered to different categories or niches related with Philips Log Splitter User Manual So depending on what exactly you are searching, you will be able to choose ebook to suit your own need. Thank you for reading Philips Log Splitter User Manual. Maybe you have knowledge that, people have search numerous times for their favorite readings like this Philips Log Splitter User Manual, but end up in harmful downloads. Rather than reading a good book with a cup of coffee in the afternoon, instead they juggled with some harmful bugs inside their laptop. Philips Log Splitter User Manual is available in our book collection an online access to it is set as public so you can download it instantly. Our digital library spans in multiple locations, allowing you to get the most less latency time to download any of our books like this one. Merely said, Philips Log Splitter User Manual is universally compatible with any devices to read.

Find Philips Log Splitter User Manual :

harry potter beginner piano

heartland: a portrait of survival

henry icebreaker book

heart tell it like it is

health promotion across the lifespan

have they found anything on oak island yet

hippies cultural appropriation

history of person centered therapy

health coach certification practice test

[helen keller book pdf](#)

[high resolution ghent altarpiece](#)

[harry potter cheat sheet](#)

[*hello kitty activity pages*](#)

[ho ho home for the holidays](#)

[history alive curriculum](#)

Philips Log Splitter User Manual :