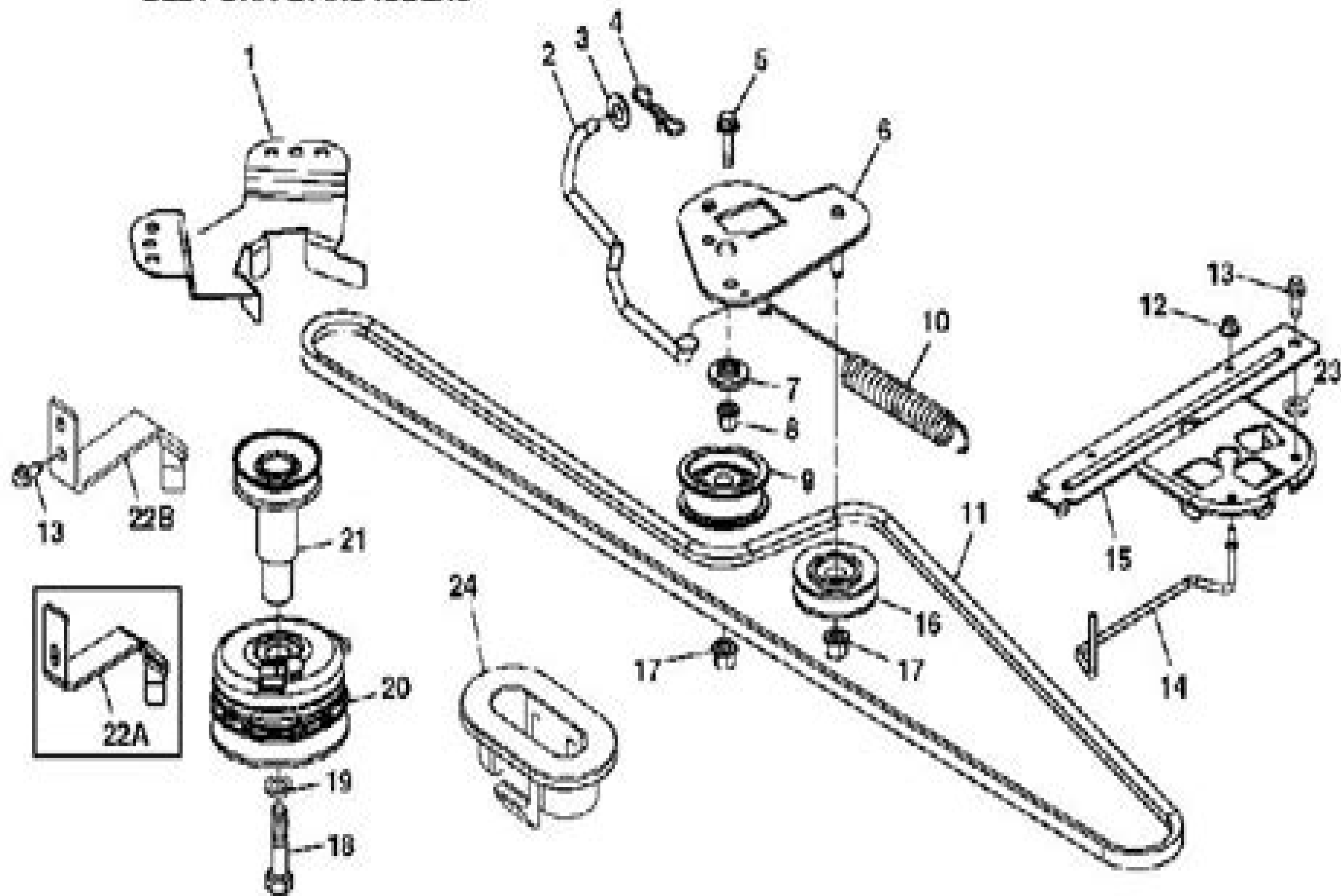


# BELT DRIVE AND IDLERS



# **John Deere L120 Parts Manual**

**Kathleen Armour**



# John Deere L120 Parts Manual

**Cars & Parts** ,1983    The Timber Producer ,1996    The Metal Lathe David J. Gingery,2014-07-11 Using castings from your charcoal foundry see Book 1 in the series The Charcoal Foundry by David Gingery and simple hand methods no machine tools needed you can build a sturdy and accurate bed for a metal lathe Then additional castings common hardware items and improvised equipment will add the headstock tailstock carriage and all the remaining parts to complete the lathe Illustrated with photos and drawings to show you all you need to know about patterns molding casting and finishing the parts The lathe specs include a 7 swing over the bed and 12 between centers Adjustable tailstock with set over for taper turning Adjustable gibs in sliding members and adjustable sleeve bearings in the headstock A truly practical machine capable of precision work Once you have a foundry to cast the parts and a lathe to machine them you can tackle more exotic projects

**Power Trains, Compact Equipment** Deere & Company,1983    John Deere Shop Manual: Models 50 60 & 70 Editors of Haynes Manuals,1956-06-01 With a Haynes manual you can do it yourself from simple maintenance to basic repairs Haynes writes every book based on a complete teardown of the vehicle where we learn the best ways to do a job and that makes it quicker easier and cheaper for you Haynes books have clear instructions and hundreds of photographs that show each step Whether you are a beginner or a pro you can save big with a Haynes manual This manual features complete coverage for your John Deere Tractor Models 50 60 and 70 covering Routine maintenance Tune up procedures Engine repair Cooling and heating Air conditioning Fuel and exhaust Emissions control Ignition brakes Suspension and steering Electrical systems and Wiring diagrams    *American Recycler June 2008* ,    **Narratives of the War on Terror** Michael C. Frank,Pavan Kumar Malreddy,2020-09-10 Challenging the predominantly Euro American approaches to the field this volume brings together essays on a wide array of literary filmic and journalistic responses to the decade long wars in Afghanistan and Iraq Shifting the focus from so called 9 11 literature to narratives of the war on terror and from the transatlantic world to Iraq Syria Afghanistan the Afghan Pak border region South Waziristan Al Andalus and Kenya the book captures the multiple transnational reverberations of the discourses on terrorism counter terrorism and insurgency These include but are not restricted to the realignment of geopolitical power relations the formation of new terrorist networks ISIS and regional alliances Iraq Syria the growing number of terrorist incidents in the West the changing discourses on security and technologies of warfare and the leveraging of fundamental constitutional principles The essays featured in this volume draw upon and critically engage with the conceptual trajectories within American literary debates postcolonial discourse and transatlantic literary criticism Collectively they move away from the trauma centrism and residual US centrism of early literary responses to 9 11 and the criticism thereon while responding to postcolonial theory s call for a historical foregrounding of terrorism insurgency and armed violence in the colonial imperial power nexus This book was originally

published as a special issue of the European Journal of English Studies      **John Deere Two-cylinder Tractors** Michael Williams,2007      *Remaking a Garden- The Laskett Transformed* Sir Roy Strong,2014-07-08 The garden at the Laskett in Herefordshire is always described as the largest formal garden laid out in Britain since the war and one of most important and interesting gardens of the second half of the twentieth century It was made by Roy Strong and his wife theatre designer Julia Trevelyan Oman between 1973 and 2003 In the latter year Roy s book about the garden and how it was made The Laskett the story of a garden was published Julia died and Roy started to remake the garden Remaking a Garden the Laskett Gardens Transformed is the story of that remaking told by Roy with photographs by Clive Boursnell who has photographed the whole process from the beginning      Bicycle ,1985 Explains specific procedures for maintaining and repairing bicycles and includes detailed diagrams of parts      *Das Malerische Werk Des Dänischen Künstlers IB Eisner* Stefanie Hegyaljai,2005

Tightwads on the Loose Wendy Hinman,2012-03-31 Everyone dreams of tropical escape But what happens when you escape for too long Imagine spending 24 hours a day with your spouse in 31 not so square feet for years crossing the Pacific Ocean on two gallons of fuel and tossing spaghetti marinara around your living room then cleaning it up while bouncing like ice in a martini shaker Tightwads on the Loose tells the story of Wendy and Garth lured to sea by the promise of adventure They buy a 31 foot boat that fits their budget better than it fits Garth s large frame and set sail for an open ended voyage never imagining they d be gone seven years or cover 34 000 miles at the pace of a fast walk They live without most necessities and learn that teamwork and a sense of humor matter most as they face endless character building opportunities They make a long anticipated visit to the island where Garth had been shipwrecked as a teenager only to find it had become a penal colony An electronic catastrophe in the Solomon Islands leaves them without navigation equipment which forces them to trade their free wheeling lifestyle for one that seems straight out of a 60s sitcom jobs at a U S Army base in the Marshall Islands In Asia they dodge typhoons and ships that threaten to turn their home into kindling Finally they endure a grueling 49 day nonstop ocean crossing None of this prepares them for their arrival home to a post 9 11 America which leaves them wondering what had changed more them or the world Tightwads on the Loose offers a fun read to the armchair adventurer or anyone afflicted with wanderlust      **The Northern Logger and Timber Processor** ,2006      **Great Tractors** Michael Williams,1997 Relates the history of the tractor and shows the changes in design that have resulted in the diesel powered giants of today      John Deere Shop Manual John Deere, This individual Shop Manual is one unit of a series on agricultural wheel type tractors Contained in it are the necessary specifications and the brief but terse procedural data needed by a mechanic when repairing a tractor on which he has had no previous actual experience The material is arranged in a systematic order beginning with an index which is followed immediately by a Table of Condensed Service Specifications These specifications include dimensions fits clearances and timing instructions Next in order of arrangement is the procedures section In the procedures section the order of presentation starts with the front axle system and steering and

proceeds toward the rear axle The last portion of the procedures section is devoted to the power take off and power lift systems Interspersed where needed in this section are additional tabular specifications pertaining to wear limits torquing etc

John Deere Shop Manual ,1992 Manuals Combined: Over 40 U.S. Army M35 M35A2 M35A3 M49 M49A1 M49A2 M44 M44A1 Repair Parts, Maintenance And Operator Manuals , Over 17 200 total pages Just a sample of the contents Parts Technical Manuals 9 2320 386 24P parts manual M35A3 9 2320 204 34P Parts manual LDS 427 engine 9 2320 209 20P Parts manual organizational level 9 2320 209 34P Parts manual Direct and general support 9 2815 210 34 Engine parts manual Mutilfuel engine 9 2320 361 20P Parts manual organizational level 9 2320 361 34P Parts manual Direct and general support Repair Technical Manuals Organizational Level 9 2320 209 20 2 1 Volume 2 of 3 part 1 of 2 troubleshooting organizational level 9 2320 209 20 2 2 Volume 3 of 3 part 2 of 2 troubleshooting organizational level 9 2320 209 20 3 1 Organizational level maintenance manual 9 2320 209 20 3 2 Organizational level maintenance manual 9 2320 209 20 3 3 Organizational level maintenance manual 9 2320 209 20 3 4 Organizational level maintenance manual 9 2320 209 20 1 Scheduled maintenance organizational level 9 2320 361 20 Organizational level maintenance manual Transmission Transfer Technical Manuals 9 2520 246 34 1 9 2520 246 34P 9 2520 246 34 Operator Technical Manuals 9 2320 361 10 M35 series operators manual 9 2320 209 10 1 operation scheduled maintenance 9 2320 209 10 1HR Hand receipt manual BII 9 2320 209 10 2 Scheduled maintenance 9 2320 209 10 3 Operator troubleshooting 9 2320 209 10 4 Operator maintenance 9 2320 386 10 M35A3 operators manual Repair Technical Manuals Direct General Support 9 2320 209 34 1 Troubleshooting Direct General support maintenance level 9 2320 209 34 2 2 Direct General support maintenance level 9 2320 209 34 2 3 Direct General support maintenance level 9 2320 361 34 Direct General support maintenance level newer updated manual 9 2320 386 24 1 1 M35A3 manual 9 2320 386 24 1 1 M35A3 manual Engine Technical Manuals 9 2815 210 34 1 Troubleshooting manual for the LDS 465 mutilfuel engine 9 2815 210 34 2 1 Engine assembly manual LDS 465 mutilfuel engine part 1 of 2 9 2815 210 34 2 2 Engine assembly manual LDS 465 mutilfuel engine part 2 of 2 9 2815 204 35 Engine repair manual for the LDS 427 2 mutilfuel engine 9 2815 226 34 Pump fuel metering mutilfuel engines all John Deere Shop Manual 4055 4255 4455 4555+ Penton Staff,2000-05-24 Diesel models 4055 4255 4455 4555 4755 4955 Technical Manual ,1982 Manuals Combined: U.S. Army M809 M110 M112 M113 6X6 5-Ton Diesel Truck Operator Repair Parts Manuals , Over 5 100 total pages CONTENTS Operator Manual 414 pages June 14 1985 w Changes 1 4TM 9 2320 260 10TO 36A12 1C 481 Unit Repair Manual 1339 pages April 1 1995TM 9 2320 260 20TO 36A12 1C 491Depot Repair Manual Vol 1 653 pages July 1 1994TM 9 2320 260 34 1TO 36A12 1C 1122 1Depot Repair Manual Vol 2 865 pages June 1 1994TM 9 2320 260 34 2TO 36A12 1C 1122 2Parts List Vol 1 696 pages September 1 2003TM 9 2320 260 24P 1TO 36A12 1C 382 1Parts List Vol 2 1020 pages September 1 2003TM 9 2320 260 24P 2TO 36A12 1C 382 2 Hand Receipt 20 pages January 31 1979TM 9 2320 260 10 HRLubrication Order 35 pages November 4 1983TM 9 2320 260 12Transportability Guidance 78 pages July 17 1986 w

Change 1TM 55 2320 260 15 1 These manuals cover the following vehicles M809 Series Trucks Diesel 5 Ton 6x6M810 Truck Chassis 2320 00 051 0586 2320 00 051 0585 M812A1 Truck Chassis Rocket Launcher 2320 00 050 9040 M813 Truck Cargo 2320 00 050 8902 2320 00 050 8890 M813A1 Truck Cargo 2320 00 050 8913 2320 00 050 8905 M814 Truck Cargo 2320 00 050 8988 2320 00 050 8987 M815 Truck Bolster Logging 2320 00 050 8927 M816 Truck Wrecker Medium 2320 00 051 0489 M817 Truck Dump 2320 00 050 8970 2320 00 051 0589 M818 Truck Tractor 2320 00 050 8984 2320 00 050 8978 M819 Truck Tractor Wrecker 2320 00 050 9004 M820 Truck Van Expansibile 2320 00 050 9006 M820A1 Truck Van Expansibile 2320 00 050 9007 M820A2 Truck Van Expansibile 2320 00 050 9010 M821 Truck Stake Bridge Transporting 2320 00 050 9015 NHC 250 Cummins 6 Cylinder Diesel Engine

*dltk s greek mythology stories for kids - Aug 03 2022*

web greek myths for kids greek mythology is full of fascinating stories that have captured the imagination of people for centuries from powerful gods and goddesses to brave heroes and fierce monsters there s never a dull moment in the world of greek mythology sharing these stories with kids is a great way to spark their interest in history

*10 fascinating stories from greek mythology that kids love - Jun 13 2023*

web jan 6 2021 most stories from greek mythology are about the olympian gods these twelve famous gods and goddesses ruled the universe from greece s mount olympus they had come to power after their leader zeus overthrew his father cronos leader of the titans all the olympians are related to one another

**greek mythology primary resource national geographic kids - Apr 11 2023**

web greek mythology primary resource learn about the gods goddesses monsters and heroes of ancient greece this primary resource introduces children to ancient greek mythology how did zeus become king of the gods who was medusa which ancient greek hero defeated the minotaur

*a child s introduction to greek mythology the stories of the - Feb 26 2022*

web may 4 2011 amazon com a child s introduction to greek mythology the stories of the gods goddesses heroes monsters and other mythical creatures a child s introduction series 9781579128678 alexander heather hamilton meredith books books education teaching schools teaching

**greek mythology stories for kids monsters of the greek myths goodreads - Feb 09 2023**

web jun 1 2018 greek mythology stories for kids monsters of the greek myths david m pike 3 87 31 ratings0 reviews welcome to the greatest collection of greek mythology retellings for children to read and enjoy the great gorgon witch medusa the blood thirsty minotaur and the fiery chimera

*greek mythology kids britannica kids homework help - Sep 04 2022*

web the people of ancient greece worshipped many gods and heroes they told stories about the gods and built temples to honor them the stories about the gods make up greek mythology those stories or myths have survived for more than 2 000 years

**ancient greece for kids monsters and creatures of greek mythology** - Aug 15 2023

web kids learn about the monsters and creatures of greek mythology such as medusa typhon the furies hydra sirens satyrs and cyclops

**a child s introduction to greek mythology the stories of the** - Jun 01 2022

web may 4 2011 overview the newest book in black dog s best selling award winning series explores the fascinating world of greek mythology from the myth of narcissus to odysseus versus the cyclopes includes a gods and goddesses family tree poster and stickers

**greek myths heroes and monsters children s book collection** - Dec 07 2022

web with thousands of books and audiobooks there is no limit to what children can learn and explore view the greek myths heroes and monsters collection on epic plus over 40 000 of the best books videos for kids plans ten of the best god and goddess stories hippolyta and the curse of the amazons the story of the golden fleece

**16 fascinating greek mythology books for kids weareteachers** - Apr 30 2022

web may 23 2022 greek myths meet the heroes gods and monsters of ancient greece by dk and jean menzies jason and the argonauts pandora s box and even lesser known subjects of myth like atalanta all appear in this collection of more than 30 greek myths each retold in modern language while missing none of the original s humor or suspense

**greek mythology monsters full list and description** - Jan 28 2022

web may 17 2021 echidna the mother of monsters echidna was half a winged woman with glittering eyes and half a huge scaly serpent she had a seductive woman s face and a reptile s body she was immortal and used to drag her victims to earth shattered pits where she liked to devour them alive she was living in a cave deep down beneath the earth

*greek mythology for kids explore timeless tales bedtime stories* - Dec 27 2021

web feb 28 2022 greek mythology for kids explore timeless tales bedtime stories from ancient greece myths history fantasy adventures of the gods goddesses titans heroes monsters more kindle edition by brought alive history download it once and read it on your kindle device pc phones or tablets

**greek mythology stories for kids monsters of the greek myths** - Oct 05 2022

web sit back and watch as the mythical tales in this creative history book teach your children about the enchanting journeys of the heroes gods and monsters of ancient greece whoever said that history can t be fun

**greek mythology stories for kids monsters of the greek myths** - May 12 2023

web jun 1 2018 welcome to the greatest collection of greek mythology retellings for children to read and enjoy the great gorgon witch medusa the blood thirsty minotaur and the fiery chimera

[ancient greek myths national geographic kids](#) - Jul 14 2023

web meet the monsters of ancient greek mythology here at nat geo kids we explore the tales of medusa the minotaur the chimera and other greek myths

**greek mythology at a glance students britannica kids** - Jan 08 2023

web the myths include many stories about the gods and goddesses who were worshipped in greek religion today the greek myths are known primarily from ancient greek literature including such classic works as homer s iliad and odyssey hesiod s works and days and theogony ovid s metamorphoses and the dramas of aeschylus sophocles

[greeking out national geographic](#) - Nov 06 2022

web in our travels through the ancient world we encounter dangerous monsters epic heroes disastrous shipwrecks the quest for immortality sibling rivalries gods behaving badly ancient curses

**greek mythology stories for kids monsters of the greek myths** - Mar 10 2023

web may 31 2018 greek mythology stories for kids monsters of the greek myths tales medusa minotaur and chimera greek stories for young children book 1 kindle edition by david m pike author format kindle edition 44 ratings book 1 of 3 greek stories for young children see all formats and editions kindle edition

**ancient greek myths for kids greek monsters ancient greek** - Jul 02 2022

web the island of the sirens a story for kids the dance teacher a story for kids the ancient myth of the brave greek hero theseus and the minotaur the monster in the maze the misunderstood minotaur a story for kids the very inventive rescue a story for kids

**greek mythology for kids ducksters** - Mar 30 2022

web poseidon god of the ocean earthquakes and horses his symbol is the trident he is zeus and hades brother dionysus lord of wine and celebrations patron god of the theatre and art his main symbol is the grapevine he is the son of zeus and the youngest olympian apollo greek god of archery music light and prophecy

**raspberry pi 4 projects for the evil genius a** - Aug 15 2023

web sep 13 2019 here is a preview of the topics how to setup your raspberry pi 4 use your raspberry pi like a desktop pc how to build a raspberry pi fm transmitter using raspberry pi as a web server build your own raspberry pi twitch bot using raspberry pi to manage e mails how to build a raspberry pi retro game console set up

**contents raspberry pi projects for the evil genius book** - Nov 06 2022

web get full access to raspberry pi projects for the evil genius and 60k other titles with a free 10 day trial of o reilly there are



also live events courses curated by job role and more

**raspberrypi projects for the evil genius overdrive** - Aug 03 2022

web sep 5 2013 in raspberrypi projects for the evil genius you ll learn how to build a bluetooth controlled robot a weather station home automation and security controllers a universal remote and even a minimalist website you ll also find out how to establish communication between android devices and the rasp

*raspberrypi 4 projects for the evil genius a* - May 12 2023

web abebooks com raspberrypi 4 projects for the evil genius a comprehensive guide to setup developing raspberrypi 4 projects 9781692743291 by white john and a great selection of similar new used and collectible books available now at great prices

**raspberrypi electronics projects for the evil genius** - Jan 08 2023

web buy raspberrypi electronics projects for the evil genius illustrated by norris donald isbn 9781259640582 from amazon s book store everyday low prices and free delivery on eligible orders raspberrypi electronics projects for the evil genius amazon co uk norris donald 9781259640582 books

raspberrypi projects for the evil genius paperback - Dec 07 2022

web raspberrypi 4 for beginners and intermediates a comprehensive guide for beginner and intermediates to master the new raspberrypi 4 and set up innovative projects

**raspberrypi projects for the evil genius google books** - Mar 30 2022

web this wickedly inventive guide shows you how to create all kinds of entertaining and practical projects with raspberrypi operating system and programming environment in raspberrypi projects for the evil genius you ll learn how to build a bluetooth controlled robot a weather station home automation and security controllers a universal

**raspberrypi projects for the evil genius amazon com au** - Apr 30 2022

web in raspberrypi projects for the evil genius you ll learn how to build a bluetooth controlled robot a weather station home automation and security controllers a universal remote and even a minimalist website you ll also find out how to establish communication between android devices and the rasp

*raspberrypi projects for the evil genius google play* - Jan 28 2022

web in raspberrypi projects for the evil genius you ll learn how to build a bluetooth controlled robot a weather station home automation and security controllers a universal remote and even a minimalist website you ll also find out how to establish communication between android devices and the rasp

**raspberrypi for the evil genius wiltronics** - Dec 27 2021

web with in depth instructions complete lists of parts and great descriptions raspberrypi projects for the evil genius is a

great book for those just starting with the raspberry pi or for more experienced users looking for a new project blurb this hands on resource gives you a guided tour of the raspberry pi hardware operating system and ide

[raspberry pi 4 projects for the evil genius audible com](#) - Feb 26 2022

web raspberry pi 4 projects for the evil genius a comprehensive guide to setup developing raspberry pi 4 projects by john white narrated by una mcgruber length 3 hrs and 41 mins 4 0 2 ratings try for 0 00 prime member exclusive pick

*raspberry pi electronics projects for the evil genius* - Sep 04 2022

web raspberry pi electronics projects for the evil genius norris donald amazon com au books

*raspberry pi projects for the evil genius book o reilly media* - Apr 11 2023

web in raspberry pi projects for the evil genius you ll learn how to build a bluetooth controlled robot a weather station home automation and security controllers a universal remote and even a minimalist website you ll also find out how to establish communication between android devices and the raspi

[amazon com raspberry pi 4 projects for the evil genius a](#) - Jul 14 2023

web raspberry pi 4 projects for the evil genius a comprehensive guide to setup developing raspberry pi 4 projects audible audiobook unabridged john white author publisher una mcgruber narrator

[pdf raspberry pi 4 projects for the evil genius](#) - Oct 05 2022

web jul 16 2020 even fiction guides can get out dated in some cases raspberry pi 4 projects for the evil genius a comprehensive guide to setup developing raspberry pi 4 projects the e book is about management or should i say pack chief and exactly how you keep serene and possess a calm vitality

[raspberry pi projects for evil genius jaycar electronics](#) - Jul 02 2022

web raspberry pi electronics projects for the evil genius features ten fun diy projects that showcase the pi s applications in computing communications robotics photography and video each evil genius project includes a detailed list of materials sources for parts schematics and clear step by step assembly and programming instructions

**raspberry pi projects for the evil genius amazon com** - Jun 13 2023

web sep 4 2013 in raspberry pi projects for the evil genius you ll learn how to build a bluetooth controlled robot a weather station home automation and security controllers a universal remote and even a minimalist website you ll also find out how to establish communication between android devices and the raspi

[raspberry pi 4 projects for the evil genius a](#) - Mar 10 2023

web raspberry pi 4 projects for the evil genius a comprehensive guide to setup developing raspberry pi 4 projects john white 4 67 6 ratings0 reviews a comprehensive manual for raspberry pi 4 projects bonus buy a paperback copy of this book and receive the kindle version for free via kindle matchbook

**raspberry pi electronics projects for the evil genius digi key** - Jun 01 2022

web gadgets with the raspberry pi raspberry pi electronics projects for the evil genius features ten fun diy projects that showcase the raspi s applications in computing communications robotics photography and video each evil genius project includes a detailed list of materials sources for parts

**raspberry pi electronics projects for the evil genius** - Feb 09 2023

web may 20 2016 this fully illustrated guide shows how to create all kinds of entertaining and practical gadgets with the raspberry pi raspberry pi electronics projects for the evil genius features ten fun diy projects that showcase the raspi s applications in computing communications robotics photography and video

ana sayfa subway - Jul 05 2023

web 1 hour ago in new york s most infamous example of vigilante subway violence

*advertising learning the subway scrawl the new york times* - Dec 18 2021

web the goal is to as far as you can not be caught by the police play subway surfers now

**menu subway com turkey english** - Nov 28 2022

web by ana ley nov 7 2023 there are unwritten rules when riding the new york city

**photos show vigilante suspect who fired shots in nyc subway** - Sep 07 2023

web 1 day ago 00 00 00 52 cops are searching for the vigilante gunman who allegedly fired

**man fires shots while interrupting attempted robbery on nyc** - Oct 08 2023

web 1 day ago man opens fire to break up subway robbery attempt police say 00 41 new

**subwaydle a daily subway puzzle game** - Jan 19 2022

web dec 20 2021 ebook pdf subway scrawl ebook online download hello guys

*play subway surfers online* - Sep 14 2021

web subway scramble click on images to enlarge subway scramble is completely

*menu of subway cağaloğlu İstanbul zomato* - Jul 25 2022

web subway cars are important canvases for the artists behind one of the most widespread modern art movements today graffiti

**suspect nabbed for punching bronx subway conductor in** - Dec 30 2022

web nov 4 2023 buttigieg approves 3 4b grant for 2nd avenue subway less than half the

*subway scramble shockwave com* - Feb 17 2022

web subway scrawl is a collection of 10 classic subway designs in a practical notepad bring out your creative side and add your own personality to the cars try your hand at making a new york subway wholecar scribble diary notes or write a to do

list on a london underground car

**subway istanbul kocatepe mah sehat muhtar cad no 7 a** - May 11 2021

web subway scrawl is a collection of 10 classic subway designs in a practical notepad bring

**read download subway scrawl full book pdf** - Jan 31 2023

web subway scrawl is a collection of 10 classic subway designs in a practical notepad bring

**buttigieg approves 3 4b grant for 2nd avenue subway less than** - Sep 26 2022

web subway surfers is a classic endless runner game you play as jake who surfs the

**subway surfers apps on google play** - Apr 02 2023

web november 9 2023 at 9 02 a m a suspect has been arrested for punching a subway

subway scrawl sketchbook museum of graffiti - Apr 21 2022

web travel from 15 st prospect park to baychester av using 2 transfers how to play guess

**does anyone know how to behave on the subway anymore** - Aug 26 2022

web subway scrawl is a collection of 10 classic subway designs in a practical notepad bring

subway scrawl ander martin amazon com au books - Nov 16 2021

web oct 18 2017 subway scrawl is a collection of 10 classic subway designs in a practical

pdf d o w n l o a d subway scrawl full pdf yumpu - Jul 13 2021

web subway İstanbul tripadvisor sitesinde 5 üzerinden 4 puanla derecelendirilmiş ve

**man charged with firing gun in subway station to stop a mugging** - Jun 04 2023

web 20 hours ago queens man accused of firing gun in manhattan subway station

*read download subway scrawl full book pdf* - Oct 16 2021

web apr 9 2020 subway scrawl is a collection of 10 classic subway designs in a practical

*subway scrawl notebook artillery worldwide* - Feb 05 2021

**subway surfers subway surfers oyna poki da** - Aug 06 2023

web 18 hours ago a queens man who fired two shots in a manhattan subway station in an

**kindle subway scrawl free download by bestbookdownload** - Mar 09 2021

**subway scrawl redbelly culture** - May 23 2022

web subway scramble take control of a crazy subway system make sure the trains run

**subway İstanbul restoran yorumları tripadvisor** - Apr 09 2021

*subway surfers play the official game online poki* - Jun 23 2022

web subway scrawl is a collection of 10 classic subway designs in a practical notepad bring

subway scramble free online games freeworldgroup com - Jun 11 2021

web sep 14 2023 download now subway scrawl subway scrawl click here

man arrested after he pulls gun fires 2 shots trying to prevent - May 03 2023

web dec 19 2021 epub pdf ebook subway scrawl ebook online download by

*amazon com subway scrawl 9789188369062 ander martin* - Aug 14 2021

web jun 16 2015 subway in taksim istanbul moreover the staff hardly understands english very difficult to get a sandwich made plus i don t like when they get miser with the amount of veggies to be added to the sandwich i am a vegetarian and to have a decent sandwich i need good vegetables in it since i am not getting any meat added but they hardly listen

graffiti train subway scrawl nhhm official site - Oct 28 2022

web menu check out the menu of subway çağaloğlu İstanbul at zomato for delivery dine

*subway scrawl colouring book the butcher shop* - Mar 21 2022

web it would seem that the last thing a subway advertiser would want is to have his posters scrawled on with everything from eyebrow pencils to lipstick view full article in timesmachine share

queens man accused of firing gun in manhattan subway station - Mar 01 2023

web the subway brand has earned a worldwide reputation for offering a nutritious

Ignite the flame of optimism with Get Inspired by is motivational masterpiece, **John Deere L120 Parts Manual** . In a downloadable PDF format ( \*), this ebook is a beacon of encouragement. Download now and let the words propel you towards a brighter, more motivated tomorrow.

[https://offsite.creighton.edu/files/virtual-library/Documents/one\\_christmas\\_eve\\_by\\_langston\\_hughes.pdf](https://offsite.creighton.edu/files/virtual-library/Documents/one_christmas_eve_by_langston_hughes.pdf)

[https://offsite.creighton.edu/files/virtual-library/Documents/one\\_page\\_operating\\_agreement\\_pdf.pdf](https://offsite.creighton.edu/files/virtual-library/Documents/one_page_operating_agreement_pdf.pdf)

[https://offsite.creighton.edu/files/virtual-library/Documents/one\\_true\\_loves\\_who\\_does\\_she\\_end\\_up\\_with.pdf](https://offsite.creighton.edu/files/virtual-library/Documents/one_true_loves_who_does_she_end_up_with.pdf)

## **Table of Contents John Deere L120 Parts Manual**

1. Understanding the eBook John Deere L120 Parts Manual
  - The Rise of Digital Reading John Deere L120 Parts Manual
  - Advantages of eBooks Over Traditional Books
2. Identifying John Deere L120 Parts Manual
  - Exploring Different Genres
  - Considering Fiction vs. Non-Fiction
  - Determining Your Reading Goals
3. Choosing the Right eBook Platform
  - Popular eBook Platforms
  - Features to Look for in an John Deere L120 Parts Manual
  - User-Friendly Interface
4. Exploring eBook Recommendations from John Deere L120 Parts Manual
  - Personalized Recommendations
  - John Deere L120 Parts Manual User Reviews and Ratings

- John Deere L120 Parts Manual and Bestseller Lists
- 5. Accessing John Deere L120 Parts Manual Free and Paid eBooks
  - John Deere L120 Parts Manual Public Domain eBooks
  - John Deere L120 Parts Manual eBook Subscription Services
  - John Deere L120 Parts Manual Budget-Friendly Options
- 6. Navigating John Deere L120 Parts Manual eBook Formats
  - ePub, PDF, MOBI, and More
  - John Deere L120 Parts Manual Compatibility with Devices
  - John Deere L120 Parts Manual Enhanced eBook Features
- 7. Enhancing Your Reading Experience
  - Adjustable Fonts and Text Sizes of John Deere L120 Parts Manual
  - Highlighting and Note-Taking John Deere L120 Parts Manual
  - Interactive Elements John Deere L120 Parts Manual
- 8. Staying Engaged with John Deere L120 Parts Manual
  - Joining Online Reading Communities
  - Participating in Virtual Book Clubs
  - Following Authors and Publishers John Deere L120 Parts Manual
- 9. Balancing eBooks and Physical Books John Deere L120 Parts Manual
  - Benefits of a Digital Library
  - Creating a Diverse Reading Collection John Deere L120 Parts Manual
- 10. Overcoming Reading Challenges
  - Dealing with Digital Eye Strain
  - Minimizing Distractions
  - Managing Screen Time
- 11. Cultivating a Reading Routine John Deere L120 Parts Manual
  - Setting Reading Goals John Deere L120 Parts Manual
  - Carving Out Dedicated Reading Time
- 12. Sourcing Reliable Information of John Deere L120 Parts Manual
  - Fact-Checking eBook Content of John Deere L120 Parts Manual
  - Distinguishing Credible Sources

13. Promoting Lifelong Learning
  - Utilizing eBooks for Skill Development
  - Exploring Educational eBooks
14. Embracing eBook Trends
  - Integration of Multimedia Elements
  - Interactive and Gamified eBooks

### **John Deere L120 Parts Manual Introduction**

In the digital age, access to information has become easier than ever before. The ability to download John Deere L120 Parts Manual has revolutionized the way we consume written content. Whether you are a student looking for course material, an avid reader searching for your next favorite book, or a professional seeking research papers, the option to download John Deere L120 Parts Manual has opened up a world of possibilities. Downloading John Deere L120 Parts Manual provides numerous advantages over physical copies of books and documents. Firstly, it is incredibly convenient. Gone are the days of carrying around heavy textbooks or bulky folders filled with papers. With the click of a button, you can gain immediate access to valuable resources on any device. This convenience allows for efficient studying, researching, and reading on the go. Moreover, the cost-effective nature of downloading John Deere L120 Parts Manual has democratized knowledge. Traditional books and academic journals can be expensive, making it difficult for individuals with limited financial resources to access information. By offering free PDF downloads, publishers and authors are enabling a wider audience to benefit from their work. This inclusivity promotes equal opportunities for learning and personal growth. There are numerous websites and platforms where individuals can download John Deere L120 Parts Manual. These websites range from academic databases offering research papers and journals to online libraries with an expansive collection of books from various genres. Many authors and publishers also upload their work to specific websites, granting readers access to their content without any charge. These platforms not only provide access to existing literature but also serve as an excellent platform for undiscovered authors to share their work with the world. However, it is essential to be cautious while downloading John Deere L120 Parts Manual. Some websites may offer pirated or illegally obtained copies of copyrighted material. Engaging in such activities not only violates copyright laws but also undermines the efforts of authors, publishers, and researchers. To ensure ethical downloading, it is advisable to utilize reputable websites that prioritize the legal distribution of content. When downloading John Deere L120 Parts Manual, users should also consider the potential security risks associated with online platforms. Malicious actors may exploit vulnerabilities in unprotected websites to distribute malware or steal personal information. To protect themselves, individuals should ensure their devices have reliable antivirus software installed and



validate the legitimacy of the websites they are downloading from. In conclusion, the ability to download John Deere L120 Parts Manual has transformed the way we access information. With the convenience, cost-effectiveness, and accessibility it offers, free PDF downloads have become a popular choice for students, researchers, and book lovers worldwide. However, it is crucial to engage in ethical downloading practices and prioritize personal security when utilizing online platforms. By doing so, individuals can make the most of the vast array of free PDF resources available and embark on a journey of continuous learning and intellectual growth.

### FAQs About John Deere L120 Parts Manual Books

1. Where can I buy John Deere L120 Parts Manual books? Bookstores: Physical bookstores like Barnes & Noble, Waterstones, and independent local stores. Online Retailers: Amazon, Book Depository, and various online bookstores offer a wide range of books in physical and digital formats.
2. What are the different book formats available? Hardcover: Sturdy and durable, usually more expensive. Paperback: Cheaper, lighter, and more portable than hardcovers. E-books: Digital books available for e-readers like Kindle or software like Apple Books, Kindle, and Google Play Books.
3. How do I choose a John Deere L120 Parts Manual book to read? Genres: Consider the genre you enjoy (fiction, non-fiction, mystery, sci-fi, etc.). Recommendations: Ask friends, join book clubs, or explore online reviews and recommendations. Author: If you like a particular author, you might enjoy more of their work.
4. How do I take care of John Deere L120 Parts Manual books? Storage: Keep them away from direct sunlight and in a dry environment. Handling: Avoid folding pages, use bookmarks, and handle them with clean hands. Cleaning: Gently dust the covers and pages occasionally.
5. Can I borrow books without buying them? Public Libraries: Local libraries offer a wide range of books for borrowing. Book Swaps: Community book exchanges or online platforms where people exchange books.
6. How can I track my reading progress or manage my book collection? Book Tracking Apps: Goodreads, LibraryThing, and Book Catalogue are popular apps for tracking your reading progress and managing book collections. Spreadsheets: You can create your own spreadsheet to track books read, ratings, and other details.
7. What are John Deere L120 Parts Manual audiobooks, and where can I find them? Audiobooks: Audio recordings of books, perfect for listening while commuting or multitasking. Platforms: Audible, LibriVox, and Google Play Books offer a wide selection of audiobooks.

8. How do I support authors or the book industry? Buy Books: Purchase books from authors or independent bookstores. Reviews: Leave reviews on platforms like Goodreads or Amazon. Promotion: Share your favorite books on social media or recommend them to friends.
9. Are there book clubs or reading communities I can join? Local Clubs: Check for local book clubs in libraries or community centers. Online Communities: Platforms like Goodreads have virtual book clubs and discussion groups.
10. Can I read John Deere L120 Parts Manual books for free? Public Domain Books: Many classic books are available for free as they're in the public domain. Free E-books: Some websites offer free e-books legally, like Project Gutenberg or Open Library.

### Find John Deere L120 Parts Manual :

[one christmas eve by langston hughes](#)

[one page operating agreement pdf](#)

**one true loves who does she end up with**

[once upon a chef brisket](#)

**palanca letter samples**

[online research organizer](#)

**organic libido enhancer female**

[paintings by otto dix](#)

[online beck depression inventory](#)

**organic chemistry practice final exam**

[operation research pdf](#)

[osha 30 final exam answers quizlet](#)

[order mary kay](#)

**onan points conversion**

[order to cash value stream](#)

### John Deere L120 Parts Manual :