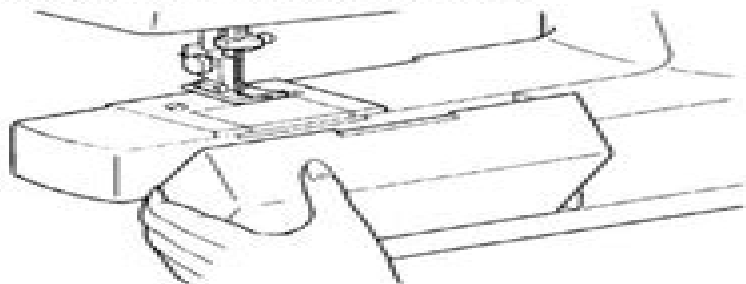
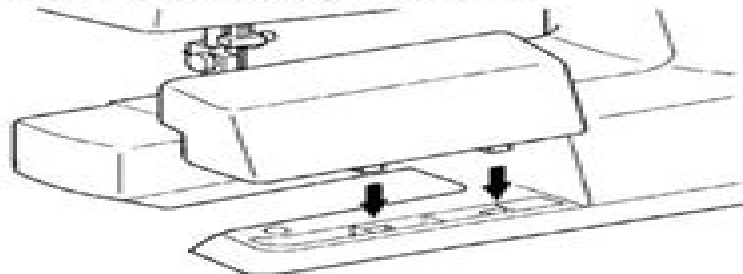


### REMOVING THE EXTENSION TABLE

To remove the extension table, lift the left side of the case and take away.

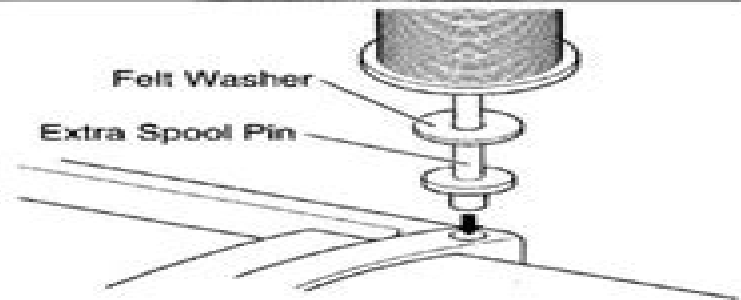


To attach, set the studs into the holes of the machine base and press down.



### EXTRA SPOOL PIN

If the spool of thread can't set onto the spool pin, use the extra spool pin as follows. Lay down the carrying handle. Insert the extra spool pin into the hole of handle. Set the felt washer and spool of thread on it.



### DUST COVER

Cover the machine with dust cover when it is not to be used.

This manual will be stored on the holder provided inside of the cover.



# **Euro Pro Sewing Machine Manual 9101**

**Lingsheng Yao**



# Euro Pro Sewing Machine Manual 9101

[math 0111 elementary differential calculus school of pdf](#) - Nov 25 2022

web aug 23 2023 to download and install the math 0111 elementary differential calculus school of it is no question easy then since currently we extend the partner to buy and

[math 0111 elementary differential calculus school of](#) - Jul 22 2022

web jul 29 2023 may 9th 2018 middle school math rules of differentiation of functions in calculus the basic rules of differentiation of functions in calculus are presented along

**math 0111 elementary differential calculus school of** - Nov 13 2021

web aug 1 2023 april 26th 2018 topics in pre calculus mathematics 1 6 topics in mathematics for elementary and middle school teachers 277 0111 new mexico s

**elementary differential and integral calculus school of** - Aug 03 2023

web elementary differential and integral calculus formula sheet exponents elementary differential and integral calculus formula sheet exponents  $x^a x^b x^a b a^x b^x$

*math 0111 elementary differential calculus school of* - Dec 15 2021

web the math 0111 elementary differential calculus school of it is unconditionally simple then since currently we extend the link to buy and create bargains to download and

**math 311 differential equations syllabus pdf scribd** - Aug 23 2022

web math 311 differential equations 3 integral calculus second semester 1998 1999 engr tomas u ganiron jr msce course description differentiation and integration in

*math 0111 elementary differential calculus school of* - Sep 23 2022

web may 9th 2018 math 0111 mathematical applications 3 four years of high school math differential calculus of multivariate functions mathematics math lt um

*math0111 math0131 elementary differential calculus* - Jul 02 2023

web syllabus laws of indices including  $e^a b^a$  logarithms elementary trigonometry inverse trigonometric functions geometry of lines and circles elementary differentiation

**math0111 elementary differential calculus school of download** - Mar 18 2022

web applied mathematics and discrete mathematics this new textbook is focused on differential and integral calculus and includes a wealth of useful and relevant

**math 0111 elementary differential calculus school of pdf** - Apr 30 2023

web of this math 0111 elementary differential calculus school of can be taken as well as picked to act advanced calculus lynn harold loomis 2014 02 26 an authorised

**math0111elementarydifferen tialcalculusschoolof** - Jan 16 2022

web elementary calculus open textbook library this textbook covers calculus of a single variable have completed courses in high school algebra geometry and trigonometry

*elementary algebra wikipedia* - Feb 14 2022

web algebraic operations in the solution to the quadratic equation the radical sign denoting a square root is equivalent to exponentiation to the power of 1/2 the sign means the

year 11 mathematics calculus differentiation maths pays - Jan 28 2023

web year 11 mathematics calculus differentiation introduction to calculus youtube mathspays 9 84k subscribers introduction to calculus info shopping tap to unmute

*institute of mathematics* - Jun 20 2022

web prerequisite math 122 equiv and math 110 2 equiv course credit 3 units number of hours 3 hours week b course content i course introduction and orientation ii computer

**math 0111 elementary differential calculus school of pdf** - Jun 01 2023

web math 0111 elementary differential calculus school of right here we have countless ebook math 0111 elementary differential calculus school of and collections to check

*math0111elementarydifferentialcalculusschoolof cert1 hostifi* - May 20 2022

web annual register of the new mexico state school of mines socorro n m register of the university of california pamphlet dept of the army mathematical problem posing

math0111 math0131 elementary differential calculus - Feb 26 2023

web elementary differential calculus versions 1 3 supplementary materials vladimir v kisil 1 x a 0 x a 0 numbers and operations x a 0 the expression 0 0 cannot be

*school of mathematics math 0111 elementary differential* - Oct 05 2023

web school of mathematics math 0111 elementary differential calculus en english deutsch français español português italiano român nederlands latina dansk svenska

math 0111 elementary differential calculus school of pdf - Mar 30 2023

web right here we have countless books math 0111 elementary differential calculus school of and collections to check out we additionally come up with the money for variant

**module and programme catalogue university of leeds** - Sep 04 2023

web math0111 elementary differential calculus version 1 10 credits class size 136 module manager dr paul schaffer email p e schaffer leeds ac uk taught semester 1

*math0111 elementary differential calculus school of cloud do galaxy* - Apr 18 2022

web mathematical analysis offers a solid basis for many achievements in applied mathematics and discrete mathematics this new textbook is focused on differential and integral

*math0111 elementary differential calculus school of* - Dec 27 2022

web mathematics presents a unified treatment of the algebra geometry and calculus that are considered fundamental for the foundation of undergraduate mathematics this book

**math0111 elementary differential calculus school of pdf** - Oct 25 2022

web an introduction to the differential and integral calculus cornell s resources for health education university of kentucky catalogue register of the university of california 4

**concrete test hammer bina barutama** - Jan 28 2022

web original schmidt n l series digi schmidt nd ld series the benchmark against which all rebound hammers are compared and the basis of every international rebound hammer standard available with different impact energies to allow customers to test a wide variety of materials and types of structure

**original schmidt concrete test hammers gardco** - Sep 04 2022

web original schmidt concrete test hammer type n psi scale designed for testing concrete items 4 100 mm or more in thickness or concrete with a maximum particle size less than or equal to 1 25 32 mm used for the testing of massive rock impact energy is 1 6 ft lbs 2 207 nm

**proceq digi schmidt 2000 ld operating instructions manual** - Jul 02 2022

web view and download proceq digi schmidt 2000 ld operating instructions manual online concrete test hammer digi schmidt 2000 ld test equipment pdf manual download also for digi schmidt 2000 nd

**proceq digi schmidt concrete test hammer humboldt mfg** - Apr 11 2023

web the digi schmidt concrete test hammer couples the original schmidt hammer with rebound measuring sensors and microprocessor technology to provide an instrument designed for applications requiring numerous measurements the method is rapid reproducible and has resolution previously unattainable by manual models

*proceq digi schmidt digital concrete test hammer* - Aug 15 2023

web you can review the price and details of the proceq digi schmidt digital concrete test hammer product with proceq product code digi schmidt below to get a quotation fill in the online quotation form im tek com tr

**concrete test hammer schmidt hammer n type** - Jul 14 2023

web concrete test hammer schmidt hammer italy 30x15x40 4 lt c0152 digital concrete test hammer digi schmidt hammer proceq 30x15x40 4 lt c0153 electronic pc connector concrete test hammer silverschmidt hammer proceq 30x15x40 4 lt c0154 concrete test hammer schmidt hammer proceq 30x15x40 4 lt c0155 digital

**digi schmidt 2000 concrete test hammer non destructive testing** - Nov 06 2022

web the digi schmidt 2000 concrete test hammer performs rapid non destructive quality testing it provides automatic conversion of rebound values to the concrete s compressive strength factors can be selected to adjust for concrete age and specific test specimen differences maintaining accurate measurement over a wide range of test parameters

**concrete test hammer digi schmidt 2000** - Dec 07 2022

web this concrete test hammer is equipped with a sensor which measures the rebound value of a test impact to a high resolution and repeatability basic settings and measured values are shown on the display unit operation is menu driven in different languages

**c386m digital concrete test hammer with microprocessor** - Apr 30 2022

web this digital concrete test hammer microprocessor operated entirely designed and manufactured by matest with advanced technology performs basic concrete testing with continuous automatic recording of all parameters in accordance with en 12504 2 specifications register and process data and then transfer them to a pc the unit

**concrete test hammer alfa tech** - May 12 2023

web concrete testing with original schmidt hammer is the most frequently used method worldwide for non destructive testing of concrete and structural components no other manufacturer offers such a wide range of different types each hammer is designed for specific test applications please make your choice from the following

*proceq digi schmidt 2000 nd operating instructions manual* - Feb 09 2023

web view and download proceq digi schmidt 2000 nd operating instructions manual online concrete test hammer digi schmidt 2000 nd test equipment pdf manual download also for digi schmidt 2000 ld

[concrete test hammer test pdf hammer concrete scribd](#) - Feb 26 2022

web proceqs type nd and ld digi schmidt test hammer measure the rebound values through an electronic method and allows the direct reading of the test results in digital form features type n rebound values are read from a scale for subsequent calculation of

**betonprüfhammer digi schmidt 2000 bedienungsanleitung concrete test** - Dec 27 2021

web betonprüfhammer digi schmidt 2000 concrete test hammer modell nd ld scléromètre à béton proceq sa ringstrasse 2 ch 8603 schwerzenbach switzerland phone 41 0 43 355 38 00 fax 41 0 43 355 38 12 e mail info proceq com internet proceq com

technische Änderungen vorbehalten

*concrete test hammer schmidt hammer n type utest* - Jun 13 2023

web utc 3028 concrete test hammer schmidt hammer n type utest is used to measure the compressive strength characteristics of hardened concrete non destructively control uniform concrete quality and detect weak spots in the concrete the test object should have a minimum thickness of 100 mm 3 9 in

**digi schmidt 2000 electronic concrete test hammer novanna** - Oct 05 2022

web digi schmidt 2000 electronic concrete test hammer product code 2 0255 digi schmidt 2000 electronic concrete test hammer availability in stock

integrated electronic concrete test - Mar 30 2022

web mar 13 2020 digital concrete test hammer cn652 impact test the digi schmidt 2000 concrete test hammer comprises the actual concrete test hammer and the display unit both components belong advanced r value concrete test hammer proceq has transformed original schmidt its industry benchmark rebound hammer into a cloud

**concrete test hammer eagle** - Mar 10 2023

web the digi schmidt is available in two versions type nd impact energy 2 207 nm suitable for use on concrete components of 100 mm thickness or more type ld impact energy 0 735 nm suitable for use on concrete components of thickness less than 100 mm e g precast elements and on cast stone material

original schmidt concrete test hammer gilson co - Jun 01 2022

web the type n test hammer is the most widely known and cost effective method to assess the strength integrity and uniformity of concrete structures designed for testing concrete 4in 100mm or more in thickness see hm 75l original schmidt hammer type l for a model with an impact energy of 0 735nm 0 54ft lbf for improved repeatability and

*digi schmidt concrete test hammer type nd cmh* - Jan 08 2023

web 340 00 202 the digischmidt is a digital version of the classic original schmidt with a display unit that allows the direct reading and display of the test results a rebound hammer for non destructive estimation of concrete strength properties asphalt mortar rock and paper with automatic calculation of rebound value according to standards

**concrete testing with schmidt hammer youtube** - Aug 03 2022

web jun 5 2013 the concrete test hammer also called swiss hammer or a rebound hammer invented by ernst schmidt and introduced by proceq at the beginning of the 1950s remains to this day the most widely used

**earthquake response analysis of nuclear facilities subjected to** - Feb 09 2023

web jan 1 2023 when applied to nuclear facilities earthquake ground motions are usually assumed to be composed of vertically propagating plane shear and compressional waves that is the ground motions are coherent in the horizontal

direction in general the assumption of coherent motion results in conservative structural responses

**earthquake resistant design of equipment and piping** - Mar 30 2022

web dec 13 2016 a joint project aimed at improving the reliability of nuclear power facilities was started in 1975 by the japanese ministry of international trade and industry now the ministry of economy trade and industry and the nuclear power engineering test center an engineering laboratory with a large shaking table was built in tadotsu kagawa

*earthquake engineering technical report osti gov* - Dec 27 2021

web n22520 environmental earth sciences site surveys surveys for nuclear facilities environment reactors safety seismology citation formats mla apa chicago bibtex hake g earthquake this report presents the results of part of a two task study on the engineering characterization of earthquake ground motion for

earthquake engineering for nuclear facilities overdrive - Jun 01 2022

web dec 12 2016 this book is a comprehensive compilation of earthquake and tsunami related technologies and knowledge for the design and construction of nuclear facilities as such it covers a wide range of fields including civil engineering architecture geo

**earthquake engineering for nuclear facilities researchgate** - Jun 13 2023

web jan 1 2016 earthquake engineering for nuclear facilities authors m hamada m kuno abstract this book is a comprehensive compilation of earthquake and tsunami related technologies and knowledge for the

**earthquake response analysis of nuclear facilities subjected to** - Oct 05 2022

web jan 1 2023 when applied to nuclear facilities earthquake ground motions are usually assumed to be composed of vertically propagating plane shear and compressional waves that is the ground motions are coherent in the horizontal direction in general the assumption of coherent motion results in conservative structural responses

**amazon earthquake engineering for nuclear facilities** □□□□ - Feb 26 2022

web dec 21 2016 it is crucial both for students of nuclear energy courses and for young engineers in nuclear power generation industries to understand the basics and principles of earthquake and tsunami resistant design of nuclear facilities

*earthquake engineering for nuclear reactor facilities* - Jan 28 2022

web earthquake engineering for nuclear reactor facilities full record related research authors blume j a sharpe r l kost g publication date sat jan 01 00 00 00 est 1972 research org blume john a and associates engineers san francisco calif osti identifier 4667914 report number s jab 101 nsa number

engineering of nuclear power facilities for earthquake loads - Apr 30 2022

web jun 1 1978 the state of knowledge to engineer nuclear power facilities for earthquake loads is reviewed as it was collectively presented at the fourth smirt conference all aspects of the design process is critically examined starting with the



definition of

**ayrıntılar earthquake engineering for nuclear facilities btÜ** - Jul 14 2023

web introduction to earthquake resistant design of nuclear power plants assessment of standard seismic motion stability assessment of foundation ground and surrounding slope earthquake resistant design of building and structure earthquake resistant design of equipment and piping earthquake resistant design of important civil

*earthquake instrumentation for nuclear facilities sciencedirect* - Aug 03 2022

web jul 1 1974 regulatory and industry guidelines have been developed in the us for earthquake instrumentation so that factual site and structural response records will be made during earthquakes these guides have resulted in the development of specialized sensor recorder and display units which can meet the functional and environmental

*earthquake engineering for nuclear facilities max planck society* - Mar 10 2023

web earthquake engineering for nuclear facilities this book is a comprehensive compilation of earthquake and tsunami related technologies and knowledge for the design and construction of nuclear facilities as such it covers a wide range of fields including civil engineering architecture geotechnical engineering mechanical engineering and

earthquake resistant design of building and structure - Jul 02 2022

web dec 13 2016 when the nuclear power plant experiences large earthquakes the earthquake observation records are analyzed to find the damage and to confirm the integrity of buildings and facilities figure 4 22 shows the flow of the reactor building integrity assessment based on earthquake observation records

**earthquake engineering for nuclear facilities ghent university** - Apr 11 2023

web it is crucial both for students of nuclear energy courses and for young engineers in nuclear power generation industries to understand the basics and principles of earthquake and tsunami resistant design of nuclear facilities

**nuclear power plants and earthquakes** - Jan 08 2023

web nuclear facilities are designed so that earthquakes and other external events will not jeopardise the safety of the plant in france for instance nuclear plants are designed to withstand an earthquake twice as strong as the 1000 year event calculated for each site

*earthquake instrumentation for nuclear facilities sciencedirect* - Nov 06 2022

web jul 1 1974 seismic isolation can be an effective strategy to protect critical facilities including nuclear power plants npps from the damaging effects of horizontal earthquake ground shaking

**nuclear energy agency nea experimental facilities for earthquake** - Sep 04 2022

web sep 30 2021 nea 2004 experimental facilities for earthquake engineering simulation worldwide are large testing facilities for nuclear power plants design and verification at risk oecd publishing paris

earthquake engineering for nuclear facilities - Dec 07 2022

web this book is a comprehensive compilation of earthquake and tsunami related technologies and knowledge for the design and construction of nuclear

*earthquake engineering for nuclear facilities springerlink* - Aug 15 2023

web michiya kuno serves as an excellent reference for young engineers and students to understand all aspects of earthquake and tsunami resistant design of nuclear facilities provides abundant information about new technologies for the design and construction of nuclear facilities

**earthquake engineering for nuclear facilities** - May 12 2023

web abstract the aim of the earthquake resistant design of nuclear power plants is to retain three crucial functions even in the event of a major earthquake and tsunami to shut down the reactor shut down to cool down the reactor under a specified

Thank you entirely much for downloading **Euro Pro Sewing Machine Manual 9101**. Most likely you have knowledge that, people have seen numerous periods for their favorite books subsequent to this Euro Pro Sewing Machine Manual 9101, but end up in harmful downloads.

Rather than enjoying a fine book in imitation of a cup of coffee in the afternoon, then again they juggled behind some harmful virus inside their computer. **Euro Pro Sewing Machine Manual 9101** is affable in our digital library an online entrance to it is set as public as a result you can download it instantly. Our digital library saves in multiple countries, allowing you to acquire the most less latency time to download any of our books next this one. Merely said, the Euro Pro Sewing Machine Manual 9101 is universally compatible subsequently any devices to read.

[https://offsite.creighton.edu/files/virtual-library/Documents/gace\\_early\\_childhood\\_education\\_study\\_guide\\_free.pdf](https://offsite.creighton.edu/files/virtual-library/Documents/gace_early_childhood_education_study_guide_free.pdf)

[https://offsite.creighton.edu/files/virtual-library/Documents/goldengate\\_downstream\\_capture.pdf](https://offsite.creighton.edu/files/virtual-library/Documents/goldengate_downstream_capture.pdf)

[https://offsite.creighton.edu/files/virtual-library/Documents/ge\\_selling\\_crotonville.pdf](https://offsite.creighton.edu/files/virtual-library/Documents/ge_selling_crotonville.pdf)

## **Table of Contents Euro Pro Sewing Machine Manual 9101**

1. Understanding the eBook Euro Pro Sewing Machine Manual 9101
  - The Rise of Digital Reading Euro Pro Sewing Machine Manual 9101
  - Advantages of eBooks Over Traditional Books
2. Identifying Euro Pro Sewing Machine Manual 9101
  - Exploring Different Genres
  - Considering Fiction vs. Non-Fiction
  - Determining Your Reading Goals
3. Choosing the Right eBook Platform

- Popular eBook Platforms
- Features to Look for in an Euro Pro Sewing Machine Manual 9101
- User-Friendly Interface
- 4. Exploring eBook Recommendations from Euro Pro Sewing Machine Manual 9101
  - Personalized Recommendations
  - Euro Pro Sewing Machine Manual 9101 User Reviews and Ratings
  - Euro Pro Sewing Machine Manual 9101 and Bestseller Lists
- 5. Accessing Euro Pro Sewing Machine Manual 9101 Free and Paid eBooks
  - Euro Pro Sewing Machine Manual 9101 Public Domain eBooks
  - Euro Pro Sewing Machine Manual 9101 eBook Subscription Services
  - Euro Pro Sewing Machine Manual 9101 Budget-Friendly Options
- 6. Navigating Euro Pro Sewing Machine Manual 9101 eBook Formats
  - ePub, PDF, MOBI, and More
  - Euro Pro Sewing Machine Manual 9101 Compatibility with Devices
  - Euro Pro Sewing Machine Manual 9101 Enhanced eBook Features
- 7. Enhancing Your Reading Experience
  - Adjustable Fonts and Text Sizes of Euro Pro Sewing Machine Manual 9101
  - Highlighting and Note-Taking Euro Pro Sewing Machine Manual 9101
  - Interactive Elements Euro Pro Sewing Machine Manual 9101
- 8. Staying Engaged with Euro Pro Sewing Machine Manual 9101
  - Joining Online Reading Communities
  - Participating in Virtual Book Clubs
  - Following Authors and Publishers Euro Pro Sewing Machine Manual 9101
- 9. Balancing eBooks and Physical Books Euro Pro Sewing Machine Manual 9101
  - Benefits of a Digital Library
  - Creating a Diverse Reading Collection Euro Pro Sewing Machine Manual 9101
- 10. Overcoming Reading Challenges
  - Dealing with Digital Eye Strain
  - Minimizing Distractions
  - Managing Screen Time

11. Cultivating a Reading Routine Euro Pro Sewing Machine Manual 9101
  - Setting Reading Goals Euro Pro Sewing Machine Manual 9101
  - Carving Out Dedicated Reading Time
12. Sourcing Reliable Information of Euro Pro Sewing Machine Manual 9101
  - Fact-Checking eBook Content of Euro Pro Sewing Machine Manual 9101
  - Distinguishing Credible Sources
13. Promoting Lifelong Learning
  - Utilizing eBooks for Skill Development
  - Exploring Educational eBooks
14. Embracing eBook Trends
  - Integration of Multimedia Elements
  - Interactive and Gamified eBooks

### **Euro Pro Sewing Machine Manual 9101 Introduction**

In today's digital age, the availability of Euro Pro Sewing Machine Manual 9101 books and manuals for download has revolutionized the way we access information. Gone are the days of physically flipping through pages and carrying heavy textbooks or manuals. With just a few clicks, we can now access a wealth of knowledge from the comfort of our own homes or on the go. This article will explore the advantages of Euro Pro Sewing Machine Manual 9101 books and manuals for download, along with some popular platforms that offer these resources. One of the significant advantages of Euro Pro Sewing Machine Manual 9101 books and manuals for download is the cost-saving aspect. Traditional books and manuals can be costly, especially if you need to purchase several of them for educational or professional purposes. By accessing Euro Pro Sewing Machine Manual 9101 versions, you eliminate the need to spend money on physical copies. This not only saves you money but also reduces the environmental impact associated with book production and transportation. Furthermore, Euro Pro Sewing Machine Manual 9101 books and manuals for download are incredibly convenient. With just a computer or smartphone and an internet connection, you can access a vast library of resources on any subject imaginable. Whether you're a student looking for textbooks, a professional seeking industry-specific manuals, or someone interested in self-improvement, these digital resources provide an efficient and accessible means of acquiring knowledge. Moreover, PDF books and manuals offer a range of benefits compared to other digital formats. PDF files are designed to retain their formatting regardless of the device used to open them. This ensures that the content appears exactly as intended by the author, with no loss of formatting or missing graphics. Additionally, PDF files can be easily annotated, bookmarked, and searched for specific terms, making

them highly practical for studying or referencing. When it comes to accessing Euro Pro Sewing Machine Manual 9101 books and manuals, several platforms offer an extensive collection of resources. One such platform is Project Gutenberg, a nonprofit organization that provides over 60,000 free eBooks. These books are primarily in the public domain, meaning they can be freely distributed and downloaded. Project Gutenberg offers a wide range of classic literature, making it an excellent resource for literature enthusiasts. Another popular platform for Euro Pro Sewing Machine Manual 9101 books and manuals is Open Library. Open Library is an initiative of the Internet Archive, a non-profit organization dedicated to digitizing cultural artifacts and making them accessible to the public. Open Library hosts millions of books, including both public domain works and contemporary titles. It also allows users to borrow digital copies of certain books for a limited period, similar to a library lending system. Additionally, many universities and educational institutions have their own digital libraries that provide free access to PDF books and manuals. These libraries often offer academic texts, research papers, and technical manuals, making them invaluable resources for students and researchers. Some notable examples include MIT OpenCourseWare, which offers free access to course materials from the Massachusetts Institute of Technology, and the Digital Public Library of America, which provides a vast collection of digitized books and historical documents. In conclusion, Euro Pro Sewing Machine Manual 9101 books and manuals for download have transformed the way we access information. They provide a cost-effective and convenient means of acquiring knowledge, offering the ability to access a vast library of resources at our fingertips. With platforms like Project Gutenberg, Open Library, and various digital libraries offered by educational institutions, we have access to an ever-expanding collection of books and manuals. Whether for educational, professional, or personal purposes, these digital resources serve as valuable tools for continuous learning and self-improvement. So why not take advantage of the vast world of Euro Pro Sewing Machine Manual 9101 books and manuals for download and embark on your journey of knowledge?

### **FAQs About Euro Pro Sewing Machine Manual 9101 Books**

**What is a Euro Pro Sewing Machine Manual 9101 PDF?** A PDF (Portable Document Format) is a file format developed by Adobe that preserves the layout and formatting of a document, regardless of the software, hardware, or operating system used to view or print it. **How do I create a Euro Pro Sewing Machine Manual 9101 PDF?** There are several ways to create a PDF: Use software like Adobe Acrobat, Microsoft Word, or Google Docs, which often have built-in PDF creation tools. Print to PDF: Many applications and operating systems have a "Print to PDF" option that allows you to save a document as a PDF file instead of printing it on paper. Online converters: There are various online tools that can convert different file types to PDF. **How do I edit a Euro Pro Sewing Machine Manual 9101 PDF?** Editing a PDF can be done with software

like Adobe Acrobat, which allows direct editing of text, images, and other elements within the PDF. Some free tools, like PDFescape or Smallpdf, also offer basic editing capabilities. **How do I convert a Euro Pro Sewing Machine Manual 9101 PDF to another file format?** There are multiple ways to convert a PDF to another format: Use online converters like Smallpdf, Zamzar, or Adobe Acrobats export feature to convert PDFs to formats like Word, Excel, JPEG, etc. Software like Adobe Acrobat, Microsoft Word, or other PDF editors may have options to export or save PDFs in different formats. **How do I password-protect a Euro Pro Sewing Machine Manual 9101 PDF?** Most PDF editing software allows you to add password protection. In Adobe Acrobat, for instance, you can go to "File" -> "Properties" -> "Security" to set a password to restrict access or editing capabilities. Are there any free alternatives to Adobe Acrobat for working with PDFs? Yes, there are many free alternatives for working with PDFs, such as: LibreOffice: Offers PDF editing features. PDFsam: Allows splitting, merging, and editing PDFs. Foxit Reader: Provides basic PDF viewing and editing capabilities. How do I compress a PDF file? You can use online tools like Smallpdf, ILovePDF, or desktop software like Adobe Acrobat to compress PDF files without significant quality loss. Compression reduces the file size, making it easier to share and download. Can I fill out forms in a PDF file? Yes, most PDF viewers/editors like Adobe Acrobat, Preview (on Mac), or various online tools allow you to fill out forms in PDF files by selecting text fields and entering information. Are there any restrictions when working with PDFs? Some PDFs might have restrictions set by their creator, such as password protection, editing restrictions, or print restrictions. Breaking these restrictions might require specific software or tools, which may or may not be legal depending on the circumstances and local laws.

### **Find Euro Pro Sewing Machine Manual 9101 :**

**gace early childhood education study guide free**

~~goldengate downstream capture~~

~~ge selling crotonville~~

~~gene kelly i got rhythm~~

~~general organic and biological chemistry~~

~~geography map mexico~~

~~gohan japanese cuisine~~

~~general lines license~~

~~geometry for physics~~

~~global regents 2022 answer key~~

~~gizmos photosynthesis lab~~

**german sword techniques**

[gogol short stories](#)

[glider aerobatics training](#)

[ged study guide pdf 2022 free](#)

**Euro Pro Sewing Machine Manual 9101 :**