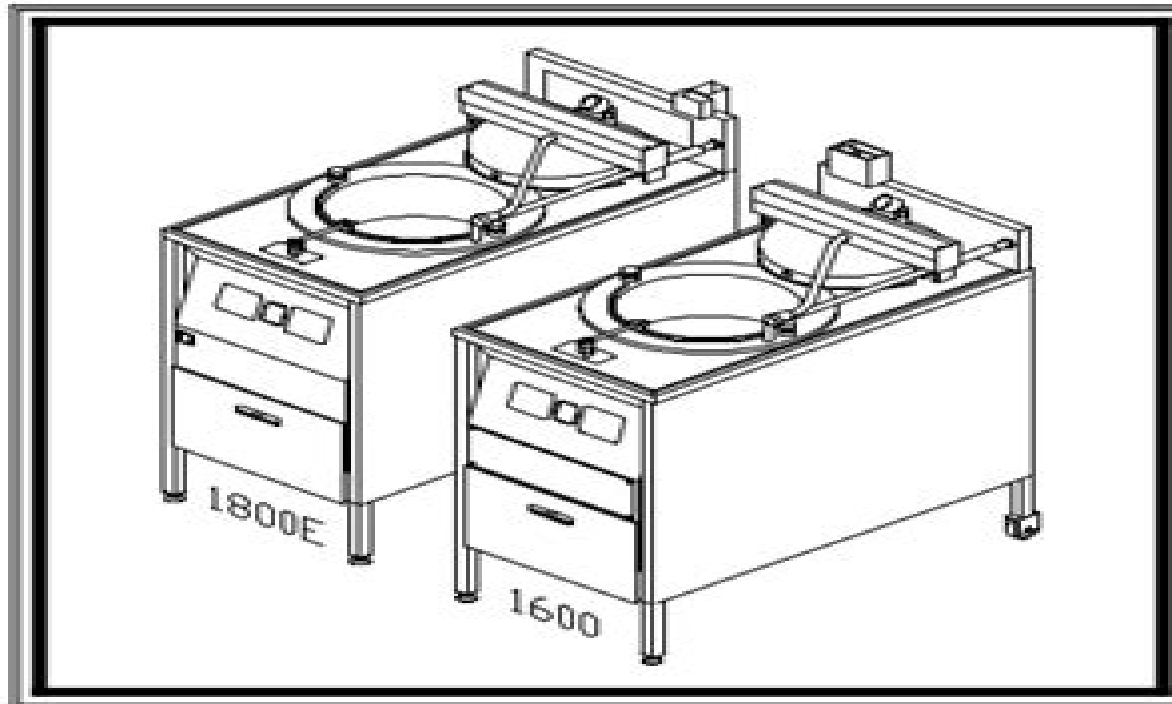


BROASTER[®]

EQUIPMENT

SERVICE MANUAL **BROASTER[®] 1600 AND 1800** **PRESSURE FRYER**

Be sure ALL installers read, understand, and have access to this manual at all times.



Genuine Broaster Chicken[®], Broasted[®], Broaster Chicken[®], Broaster Foods[®], and Broaster[®] are registered trademarks. Usage is available only to licensed operators with written authorization from The Broaster Company.

Broaster Company
2855 Cranston Road, Beloit, WI 53511-3991
608/365-0193 broaster.com

Design Certified By:
1600: CSA, NSF and UL
1800: CSA (AGA & CGA), NSF and UL

Manual #14680 3/99 Rev. 1/17

© 1999 Broaster Company
Printed in U.S.A.

Broaster 1800g Manual

Minjie Lin



Broaster 1800g Manual

Accepted Meat and Poultry Equipment ,1982 Cooking for Profit ,2004 **Meat and Poultry Inspection Manual**
United States. Animal and Plant Health Inspection Service,1985

complete idiot s guide to paganism meaningful way - Feb 28 2022

web oct 30 2023 the complete idiot s guide to communicating with spirits the complete idiot s guide to the book of revelation the complete idiot s guide to hypnosis

the complete idiot s guide to paganism meaningful ways to - Jul 16 2023

web apr 1 2002 the complete idiot s guide to paganism meaningful ways to commune with nature and follow the pagan spiritual path by carl mccolman 4 4 write a review

the complete idiot s guide to paganism meaningful ways to - Apr 13 2023

web the complete idiot s guide to paganism meaningful ways to commune with nature and follow the pagan spiritual path ebook written by carl mccolman read this book using

the complete idiot s guide to paganism vialsource - Jul 04 2022

web the complete idiot s guide to paganism meaningful ways to commune with nature and follow the pagan spiritual path is written by carl mccolman and published by alpha

the complete idiot s guide to paganism overdrive - Jan 10 2023

web apr 1 2002 you might already be attracted to paganism but considering the variety of traditions and paths that fall in this category you need a spiritual guide seek no further

pdf the complete idiot s guide to paganism academia edu - May 02 2022

web mccolman a long time practising pagan clearly explains what pagans believe and why how their beliefs carry over into their everyday lives what kinds of rituals are typical of

the complete idiot s guide to paganism penguin random house - Mar 12 2023

web whether you re interested in following the pagan path or just curious to know more the complete idiot s guide to paganism audiobook will enlighten you on this fascinating

complete idiot s guide to paganism meaningful way - Jan 30 2022

web the complete idiot s guide to geocaching second edition is a comprehensive yet entertaining and easy to understand book for getting started and having fun with

the complete idiot s guide to paganism apple books - Nov 08 2022

web apr 1 2002 the complete idiot s guide to paganism meaningful ways to commune with nature and follow the pagan spiritual path carl mccolman 3 0 2 ratings 8 99

pdf complete idiot s guide to paganism meaningful way - Oct 07 2022

web complete idiot s guide to paganism meaningful way the new vesta secret jul 10 2021 the new vesta secret finding the flame of faith the way makes side visits to

paganism complete idiots guide meaningful ways to commune - Dec 09 2022

web paganism complete idiots guide meaningful ways to commune with nature and follow the pagan spiritual path mccoleman on amazon com au free shipping on eligible

complete idiot s guide to paganism meaningful ways to - Oct 19 2023

web complete idiot s guide to paganism meaningful ways to commune with nature and follow the pagan spiritual path mccolman carl amazon sg books

the complete idiot s guide to paganism meaningful ways to - May 14 2023

web the complete idiot s guide to paganism meaningful ways to commune with nature and follow the pagan spiritual path mccolman carl amazon com be books

the complete idiot s guide to paganism google books - Sep 06 2022

web the complete idiot s guide to paganism carl mccolman penguin 2002 religion 362 pages 5 reviews reviews aren t verified but google checks for and removes fake

complete idiot s guide to paganism meaningful way book - Apr 01 2022

web complete idiot s guide to paganism meaningful way the wisdom of hypatia jul 29 2021 hypatia was the most famous female spiritual teacher of ancient alexandria the

the complete idiot s guide to paganism meaningful ways to - Feb 11 2023

web apr 1 2002 the complete idiot s guide to paganism meaningful ways to commune with nature and follow the pagan spiritual path ebook mccolman carl amazon ca

the complete idiot s guide to paganism penguin random house - Dec 29 2021

web seek no further whether you re interested in following the pagan path or just curious to know more the complete idiot s guide to paganism will enlighten you on this

the complete idiot s guide to paganism meaningful ways to - Sep 18 2023

web apr 1 2002 the complete idiot s guide to paganism meaningful ways to commune with nature and follow the pagan spiritual path kindle edition by carl mccolman

[the complete idiot s guide to paganism meaningful ways to](#) - Jun 15 2023

web you might already be attracted to paganism but considering the variety of traditions and paths that fall in this category you need a spiritual guide seek no further whether

the complete idiot s guide to paganism meaningful ways - Aug 17 2023

web jan 1 2002 the complete idiot s guide to paganism meaningful ways to commune with nature and follow the pagan spiritual path

pdf the complete idiot s guide to paganism meaningful - Jun 03 2022

web the complete idiot s guide to paganism meaningful the beginner s guide to pagan spirituality for millennials mar 30 2021 the call to inner discovery and embrace a

[the complete idiot s guide to paganism google books](#) - Aug 05 2022

web you re no idiot of course but finding the perfect expression of your spirituality can prove long and challenging you might already be attracted to paganism but considering the

grade 6 mathematics past exam papers and memos study portal - Dec 07 2022

web nov 22 2022 grade 6 mathematics past exam papers download grade 6 mathematics test papers with memos grade 6 cap maths exam past papers pdf with memorandum grade 06 term 1 term 2 term 3 and term 4 june and november nov maths exam papers are available in english and afrikaans languages

grade 6 exam papers maths assessment test paper twinkl - Aug 15 2023

web the grade 6 exam paper that you can download here is designed to test your intermediate phase class on their ability to perform a number of operations in maths working on addition subtraction multiplication and division in line with the caps curriculum aims and objectives for grade 6 maths

class 6 mathematics exams and past papers in kenya - Sep 04 2022

web 6 exams and past papers class 6 mathematics end of term 3 examination 2022 class 6 mathematics end of term 2 examination 2021 mathematics class 6 end of term 1 examination 2020 mathematics class 6 opener term 1 examination 2020 mathematics class 6 opener term 3 examination 2019

grade 6 mathematics past exam papers - Feb 09 2023

web past exam papers for grade 6 mathematics 2022 2014 past june and november exam papers memos available in both afrikaans and english caps exam papers

[cbse sample paper for class 6 maths download free pdf](#) - Jul 02 2022

web cbse sample papers for class 6 maths are an effective and useful resource for obtaining good grades in the maths exams solving these sets of cbse 6th class maths sample papers helps you to check your current academic progress you get

acquainted with the class 6 syllabus and the types of questions asked in the examination you must solve
grade 6 maths exam papers maths assessment test paper - Jan 08 2023

web grade 6 exam papers for testing maths ability use this grade 6 maths assessment mock exam paper to support children with addition subtraction multiplication and division easy to download and print it includes answer sheets to make marking a breeze

[national grade six assessment past papers mathematics](#) - Mar 10 2023

web national grade 6 assessment 2018 mathematics paper 1 national grade 6 assessment 2017 mathematics paper 1 national grade 6 assessment 2020 mathematics p2 national grade 6 assessment 2020 mathematics p1 national grade 6 assessment 2019 mathematics p2 national grade 6 assessment 2018 mathematics p2

cbc grade 6 revision papers and exams easyelimu - Feb 26 2022

web these grade 6 revision papers and exams with answers can also be downloaded as pdf grade 6 cbc exams 2022 28 kpsea past papers 5 grade 6 cbc exams 2023 80 creative arts and social studies questions and answers grade 6 end term exams term 2 2023 set 1 integrated science questions and answers grade 6 end term exams

mathematics grade 6 past tests exam question papers with - Apr 30 2022

web on this section you will find mathematics grade 6 revision notes and past exam papers controlled test assessments examination scope for learners workbooks and worksheets marking guidelines for teachers exemplars and preparatory exam papers preliminary prelim papers for different years youtube lessons for the specific lessons

mcas grade 6 mathematics practice test - May 12 2023

web grade 6 mathematics session 2 this session contains 8 questions you may use your reference sheet during this session you may not use a calculator during this session directions read each question carefully and then answer it as well as you can you must record all answers in this practice test booklet

grade 6 maths past exam papers laerskool van dyk primary - Mar 30 2022

web grade 6 provincial exam mathematics english november 2015 2015 ana gr 6 mathematics test 2015 2015 ana gr 6 mathematics memo 2015

grade 6 mathematics practice test nebraska - Nov 06 2022

web grade 6 mathematics practice test nebraska department of education 2010 directions on the following pages are multiple choice questions for the grade 6 practice test a practice opportunity for the nebraska state accountability mathematics nesa m

6th grade math khan academy - Jul 14 2023

web 6th grade math khan academy 6th grade 11 units 148 skills unit 1 ratios unit 2 arithmetic with rational numbers unit 3

rates and percentages unit 4 exponents and order of operations unit 5 negative numbers unit 6 variables

[grade 6 maths past term test papers in sinhala maths papers info](#) - Jun 01 2022

[web sep 12 2023 grade 6 maths past term test papers in sinhala english and tamil medium grade 6 maths first term test papers second term test and third term test papers in sinhala english and tamil medium mathematics papers thursday 7 september 2023 latest past papers](#)

[grade 6 end of the year test math mammoth](#) - Jun 13 2023

[web grade 6 end of the year test instructions this test is quite long because it contains lots of questions on all of the major topics covered in the math mammoth grade 6 complete curriculum its main purpose is to be a diagnostic test to find out what the student knows and does not know](#)

grade 6 math exam paper worksheet live worksheets - Apr 11 2023

[web jul 30 2021 level 6 language english en id 1212721 30 07 2021 country code za country south africa school subject math 1061955 main content grade 6 math exam paper 1451365 grade 6 math exam paper](#)

[sixth grade math worksheets free printable k5 learning](#) - Oct 05 2022

[web 6th grade math worksheets place value scientific notation multiplication division fractions decimals factoring proportions exponents integers percents geometry measurement and exponents no login required](#)

[grade 06 mathematics past papers wiki](#) - Jan 28 2022

[web jan 1 2022 notes short notes unit 02 sthaniya agaya unit 03 purna sankaya matha ganitha karma unit 05 sankaya rekawa western province papers 1 third term test papers 2019 paper 2018 paper 2021 paper tamil medium recent 2021 paper english medium recent 2021 paper sinhala medium recent](#)

[past papers cambridge assessment international education](#) - Aug 03 2022

[web past papers administered effectively past papers are the best way to prepare students for the experience of an examination you can administer them throughout the school year to measure your learners progression and development they are also a great tool for measuring your students level of understanding and can identify any weaker subject](#)

past exam papers grade 6 mathematics awsum school news - Dec 27 2021

[web jan 29 2020 past exam papers grade 6 mathematics by meinette van zyl 29th jan 2020 44833 0 title categories link tags past exam papers previous article past exam papers grade 6 next article past exam papers grade 6 related articles more from author past exam papers](#)

[did you know 2020 day to day calendar everhance llc](#) - Nov 05 2022

[web did you know 2020 day to day calendar everhance llc 9781449498962 books amazon ca](#)

day numbers for 2020 epoch converter - Jul 01 2022

web feb 24 2016 this page lists all days in 2020 with day and week numbers the year 2020 has 366 days this is a leap year day numbers for 2019 day numbers for 2021

did you know 2020 day to day calendar pdf full pdf - Feb 25 2022

web apr 4 2023 did you know 2020 day to day calendar pdf right here we have countless book did you know 2020 day to day calendar pdf and collections to check

2020 calendar what day of the week - Apr 29 2022

web 2020 calendar find what day of the week is a particular date get full 12 month 2020 calendar plus bonus info 2020 calendar find what day of the week is a

kindle did you know 2020 day to day calendar by - Mar 29 2022

web read online did you know 2020 day to day calendar bestsharemedia blogspot com download 1449498965 kindle did *did you know 2020 day to day calendar pdf pdf elections freep* - Nov 24 2021

web did you know 2020 day to day calendar pdf unveiling the magic of words a overview of did you know 2020 day to day calendar pdf in a world defined by information and

2023 mlb playoffs clinching scenarios bracket schedule espn - Jun 19 2021

web 1 day ago scores schedule standings stats teams daily lines playoff tracker more we have everything you need to know as the regular season winds down from current

did you know 2020 day to day calendar amazon com au - Mar 09 2023

web select the department you want to search in search amazon com au en hello sign in account lists returns orders cart all sell

did you know 2020 day to day calendar calendar import - Feb 08 2023

web amazon in buy did you know 2020 day to day calendar book online at best prices in india on amazon in read did you know 2020 day to day calendar book reviews

did you know 2020 day to day calendar patricia schultz 2023 - Jul 21 2021

web feb 26 2023 did you know 2020 day to day calendar thank you very much for reading did you know 2020 day to day calendar as you may know people have

did you know 2021 day to day calendar amazon com - Aug 02 2022

web sep 8 2020 the did you know 2021 calendar is loaded with all new information covering categories such as sports history pop culture art science humor people plus

[weekday calculator what day is this date timeanddate com](#) - Sep 22 2021

web which day of the week you were born which day your next birthday will be on or if the moon landing was on a saturday

or a sunday years with same calendar as year

did you know 2020 day to day calendar by everhance llc - Jun 12 2023

web buy did you know 2020 day to day calendar by everhance llc online on amazon ae at best prices fast and free shipping
free returns cash on delivery available on eligible

did you know 2020 day to day calendar wordery com - Jan 07 2023

web aug 1 2019 get free shipping on did you know 2020 day to day calendar by everhance llc from wordery com entertain
and impress your friends family or

did you know 2020 day to day calendar calendar amazon - May 11 2023

web hello sign in account lists returns orders cart

1u3yqgn d0wnl0ad did you know 2020 day to day - Oct 24 2021

web size 47 975 kb d0wnl0ad pdf ebook textbook did you know 2020 day to day calendar by everhance llc d0wnl0ad url

did you know 2020 day to day calendar amazon com - Aug 14 2023

web aug 27 2019 did you know 2020 day to day calendar each page of the did you know 2020 day to day calendar offers an
amazing story bit of trivia or an unusual but true fact to help make you smarter other features include daily extra on the back
of

what is rosh hashanah when is it what to know about jewish - May 19 2021

web sep 14 2023 since it is based on the hebrew calendar rosh hashanah begins on the first day of the seventh month so
this year s celebration will begin at sunset on friday

calendar 2020 - Dec 26 2021

web sep 13 2023 calendar 2020 when you are searching for an annual calendar including 2023 2024 and 2025 this is the
place to be this calendar is very useful when you are looking for a specific date holiday or vacation for example also every
week number for every day is displayed for the year 2020

calendar 2020 timeanddate com - Oct 04 2022

web united states 2020 calendar with american holidays yearly calendar showing months for the year 2020 calendars online
and print friendly for any year and month

did you know 2020 day to day calendar by llc everhance l - Dec 06 2022

web entertain and impress your friends family or coworkers with fun and interesting facts from the did you know 2020
calendar with categories such as history art pop culture

amazon co uk 2020 day calendar - Jan 27 2022

web amazon co uk 2020 day calendar skip to main content co uk delivering to london w1d 7 sign in to update your location

all select the department you

everything you need to know about the potential uaw strike - Aug 22 2021

web sep 14 2023 ford appointed a new ceo in 2020 and the pay for that role jumped 18 from 2018 to 2022 when the median employee s pay rose 16 1 data for stellantis is

2020 calendar - May 31 2022

web sep 12 2023 the 2020 calendar is automatically generated and can always be visited online also month calendars in 2020 including week numbers can be viewed at any time by clicking on one of the above months additionally you can view also leap years daylight saving current moon phase in 2020 moon calendar 2020 world clocks and more by

did you know 2020 day to day calendar calendar day to - Jul 13 2023

web buy did you know 2020 day to day calendar by everhance llc isbn 9781449498962 from amazon s book store everyday low prices and free delivery on

did you know 2020 day to day calendar angus robertson - Apr 10 2023

web buy did you know 2020 day to day calendar at angus robertson with delivery entertain and impress your friends family or coworkers with fun and interesting facts

2020 day of year calendar nasa - Sep 03 2022

web may sun mon tue wed thu fri sat 1 122 2 123 3 124 4 125 5 126 6 127 7 128 8 129 9 130 10 131 11 132 12 133 13 134 14 135 15 136 16 137 17 138 18 139 19 140 20

Enjoying the Tune of Expression: An Mental Symphony within **Broaster 1800g Manual**

In some sort of eaten by screens and the ceaseless chatter of immediate communication, the melodic beauty and psychological symphony developed by the published term usually disappear into the background, eclipsed by the persistent sound and disruptions that permeate our lives. But, located within the pages of **Broaster 1800g Manual** a marvelous literary treasure brimming with raw feelings, lies an immersive symphony waiting to be embraced. Constructed by a masterful musician of language, this interesting masterpiece conducts readers on an emotional journey, well unraveling the concealed tunes and profound influence resonating within each carefully crafted phrase. Within the depths of the emotional assessment, we can examine the book is central harmonies, analyze their enthralling publishing fashion, and surrender ourselves to the profound resonance that echoes in the depths of readers souls.

https://offsite.creighton.edu/files/virtual-library/Documents/installing_timing_chain.pdf

https://offsite.creighton.edu/files/virtual-library/Documents/in_the_breaking_of_the_bread_hurd.pdf

https://offsite.creighton.edu/files/virtual-library/Documents/is_anthony_william_vegan.pdf

Table of Contents Broaster 1800g Manual

1. Understanding the eBook Broaster 1800g Manual
 - The Rise of Digital Reading Broaster 1800g Manual
 - Advantages of eBooks Over Traditional Books
2. Identifying Broaster 1800g Manual
 - Exploring Different Genres
 - Considering Fiction vs. Non-Fiction
 - Determining Your Reading Goals

3. Choosing the Right eBook Platform
 - Popular eBook Platforms
 - Features to Look for in an Broaster 1800g Manual
 - User-Friendly Interface
4. Exploring eBook Recommendations from Broaster 1800g Manual
 - Personalized Recommendations
 - Broaster 1800g Manual User Reviews and Ratings
 - Broaster 1800g Manual and Bestseller Lists
5. Accessing Broaster 1800g Manual Free and Paid eBooks
 - Broaster 1800g Manual Public Domain eBooks
 - Broaster 1800g Manual eBook Subscription Services
 - Broaster 1800g Manual Budget-Friendly Options
6. Navigating Broaster 1800g Manual eBook Formats
 - ePub, PDF, MOBI, and More
 - Broaster 1800g Manual Compatibility with Devices
 - Broaster 1800g Manual Enhanced eBook Features
7. Enhancing Your Reading Experience
 - Adjustable Fonts and Text Sizes of Broaster 1800g Manual
 - Highlighting and Note-Taking Broaster 1800g Manual
 - Interactive Elements Broaster 1800g Manual
8. Staying Engaged with Broaster 1800g Manual
 - Joining Online Reading Communities
 - Participating in Virtual Book Clubs
 - Following Authors and Publishers Broaster 1800g Manual
9. Balancing eBooks and Physical Books Broaster 1800g Manual
 - Benefits of a Digital Library
 - Creating a Diverse Reading Collection Broaster 1800g Manual
10. Overcoming Reading Challenges
 - Dealing with Digital Eye Strain
 - Minimizing Distractions

- Managing Screen Time
- 11. Cultivating a Reading Routine Broaster 1800g Manual
 - Setting Reading Goals Broaster 1800g Manual
 - Carving Out Dedicated Reading Time
- 12. Sourcing Reliable Information of Broaster 1800g Manual
 - Fact-Checking eBook Content of Broaster 1800g Manual
 - Distinguishing Credible Sources
- 13. Promoting Lifelong Learning
 - Utilizing eBooks for Skill Development
 - Exploring Educational eBooks
- 14. Embracing eBook Trends
 - Integration of Multimedia Elements
 - Interactive and Gamified eBooks

Broaster 1800g Manual Introduction

Broaster 1800g Manual Offers over 60,000 free eBooks, including many classics that are in the public domain. Open Library: Provides access to over 1 million free eBooks, including classic literature and contemporary works. Broaster 1800g Manual Offers a vast collection of books, some of which are available for free as PDF downloads, particularly older books in the public domain. Broaster 1800g Manual : This website hosts a vast collection of scientific articles, books, and textbooks. While it operates in a legal gray area due to copyright issues, its a popular resource for finding various publications. Internet Archive for Broaster 1800g Manual : Has an extensive collection of digital content, including books, articles, videos, and more. It has a massive library of free downloadable books. Free-eBooks Broaster 1800g Manual Offers a diverse range of free eBooks across various genres. Broaster 1800g Manual Focuses mainly on educational books, textbooks, and business books. It offers free PDF downloads for educational purposes. Broaster 1800g Manual Provides a large selection of free eBooks in different genres, which are available for download in various formats, including PDF. Finding specific Broaster 1800g Manual, especially related to Broaster 1800g Manual, might be challenging as theyre often artistic creations rather than practical blueprints. However, you can explore the following steps to search for or create your own Online Searches: Look for websites, forums, or blogs dedicated to Broaster 1800g Manual, Sometimes enthusiasts share their designs or concepts in PDF format. Books and Magazines Some Broaster 1800g Manual books or magazines might include. Look for these in online stores or libraries. Remember that while Broaster 1800g Manual, sharing copyrighted material without permission is not

legal. Always ensure you're either creating your own or obtaining them from legitimate sources that allow sharing and downloading. Library Check if your local library offers eBook lending services. Many libraries have digital catalogs where you can borrow Broaster 1800g Manual eBooks for free, including popular titles. Online Retailers: Websites like Amazon, Google Books, or Apple Books often sell eBooks. Sometimes, authors or publishers offer promotions or free periods for certain books. Authors Website Occasionally, authors provide excerpts or short stories for free on their websites. While this might not be the Broaster 1800g Manual full book, it can give you a taste of the authors writing style. Subscription Services Platforms like Kindle Unlimited or Scribd offer subscription-based access to a wide range of Broaster 1800g Manual eBooks, including some popular titles.

FAQs About Broaster 1800g Manual Books

How do I know which eBook platform is the best for me? Finding the best eBook platform depends on your reading preferences and device compatibility. Research different platforms, read user reviews, and explore their features before making a choice. Are free eBooks of good quality? Yes, many reputable platforms offer high-quality free eBooks, including classics and public domain works. However, make sure to verify the source to ensure the eBook credibility. Can I read eBooks without an eReader? Absolutely! Most eBook platforms offer webbased readers or mobile apps that allow you to read eBooks on your computer, tablet, or smartphone. How do I avoid digital eye strain while reading eBooks? To prevent digital eye strain, take regular breaks, adjust the font size and background color, and ensure proper lighting while reading eBooks. What the advantage of interactive eBooks? Interactive eBooks incorporate multimedia elements, quizzes, and activities, enhancing the reader engagement and providing a more immersive learning experience. Broaster 1800g Manual is one of the best book in our library for free trial. We provide copy of Broaster 1800g Manual in digital format, so the resources that you find are reliable. There are also many Ebooks of related with Broaster 1800g Manual. Where to download Broaster 1800g Manual online for free? Are you looking for Broaster 1800g Manual PDF? This is definitely going to save you time and cash in something you should think about. If you trying to find then search around for online. Without a doubt there are numerous these available and many of them have the freedom. However without doubt you receive whatever you purchase. An alternate way to get ideas is always to check another Broaster 1800g Manual. This method for see exactly what may be included and adopt these ideas to your book. This site will almost certainly help you save time and effort, money and stress. If you are looking for free books then you really should consider finding to assist you try this. Several of Broaster 1800g Manual are for sale to free while some are payable. If you aren't sure if the books you would like to download works with for usage along with your computer, it is possible to download free trials. The free guides make it easy for someone to free access online library

for download books to your device. You can get free download on free trial for lots of books categories. Our library is the biggest of these that have literally hundreds of thousands of different products categories represented. You will also see that there are specific sites catered to different product types or categories, brands or niches related with Broaster 1800g Manual. So depending on what exactly you are searching, you will be able to choose e books to suit your own need. Need to access completely for Campbell Biology Seventh Edition book? Access Ebook without any digging. And by having access to our ebook online or by storing it on your computer, you have convenient answers with Broaster 1800g Manual To get started finding Broaster 1800g Manual, you are right to find our website which has a comprehensive collection of books online. Our library is the biggest of these that have literally hundreds of thousands of different products represented. You will also see that there are specific sites catered to different categories or niches related with Broaster 1800g Manual So depending on what exactly you are searching, you will be able to choose ebook to suit your own need. Thank you for reading Broaster 1800g Manual. Maybe you have knowledge that, people have search numerous times for their favorite readings like this Broaster 1800g Manual, but end up in harmful downloads. Rather than reading a good book with a cup of coffee in the afternoon, instead they juggled with some harmful bugs inside their laptop. Broaster 1800g Manual is available in our book collection an online access to it is set as public so you can download it instantly. Our digital library spans in multiple locations, allowing you to get the most less latency time to download any of our books like this one. Merely said, Broaster 1800g Manual is universally compatible with any devices to read.

Find Broaster 1800g Manual :

~~installing timing chain~~

in the breaking of the bread hurd

is anthony william vegan

~~introduction speech ideas~~

introduction to research methods a hands on approach pdf free

independent security consultant

in the womb animal babies

iowa test kindergarten

~~interesting facts about vasco nunez de balboa~~

~~ira llc formation~~

~~interpretive essay outline~~

income taxes cpe

incomplete and codominance traits worksheet answers

irony anchor chart

ion practice set

Broaster 1800g Manual :