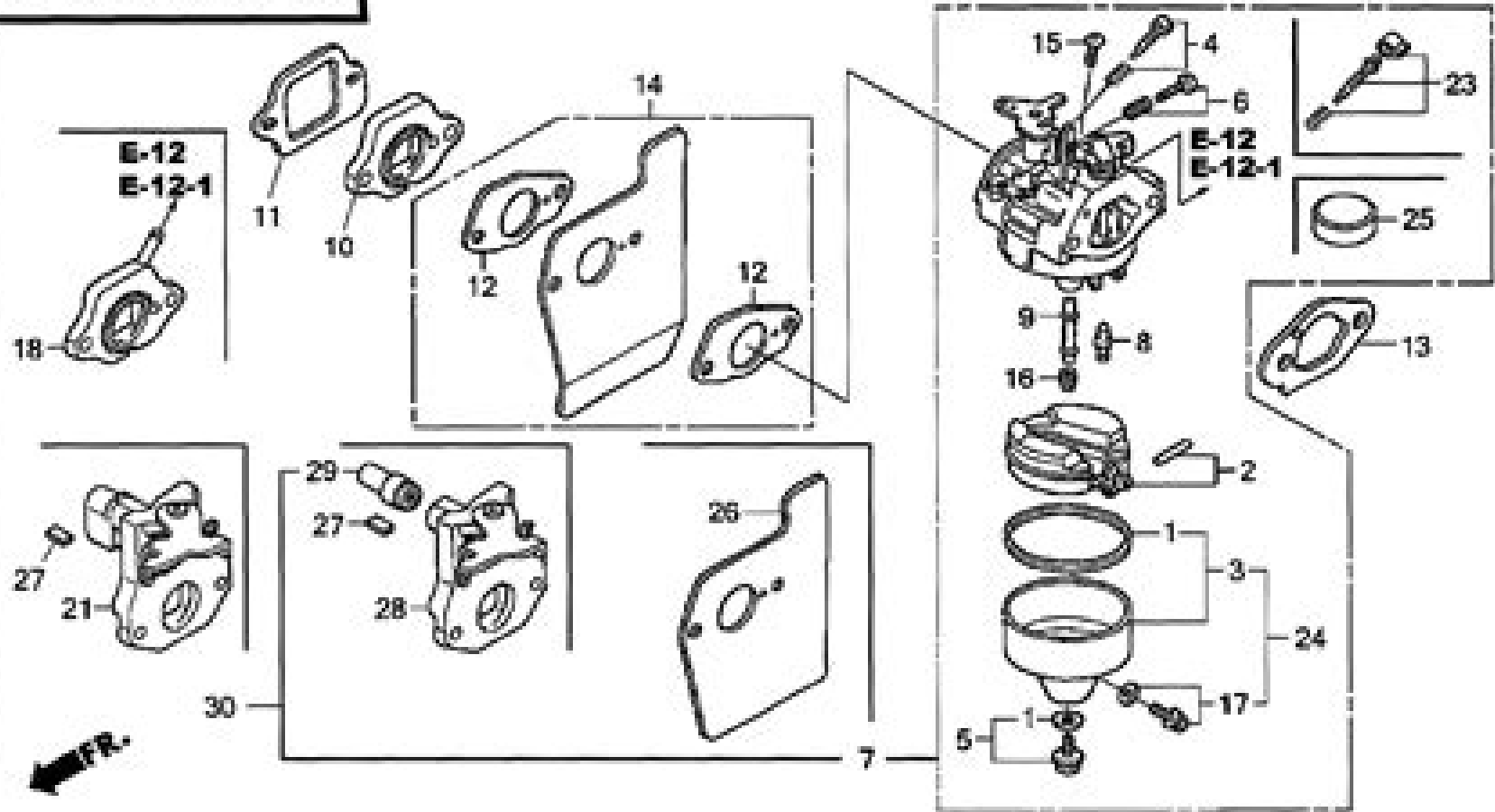


CARBURETOR



Honda 160cc Engine Diagram

S Marginson



Honda 160cc Engine Diagram

c era una volta la confessione percorsi pastorali - Oct 19 2023

web la confessione jun 01 2020 c era una volta la confessione aug 08 2023 il monitore ecclesiastico mar 03 2023 l anima diretta nella via dello spirito ossia regolamento di vita per le persone devote di ogni stato con un particolar metodo di vivere per gli ecclesiastici ed un altro per le anime religiose etc nov 18 2021

c era una volta la confessione percorsi pastorali pdf ftp - Apr 01 2022

web 2 c era una volta la confessione percorsi pastorali 2021 04 22 phenomena on christian democratic parties in the current and future member states of the european union and highlights some of the particularities and universalities of european christian democracy from a comparative and transnational perspective political scientists and

c era una volta la confessione percorsi pastorali full pdf - Jun 15 2023

web c era una volta la nebbia christian democratic parties in europe since the end of the cold war from fascism to democracy countercultures and popular music c era una volta la confessione percorsi pastorali downloaded from gsevocab pearsonelt com by guest cochran marquis c era una volta la provincia university of toronto press as

c era una volta la confessione percorsi pastorali 2022 - Nov 08 2022

web c era una volta la ddr 68 c era una volta la rivoluzione the truth society ponti italiano terzo millennio c era una volta la prima volta come raccontare il sesso e l amore a scuola in famiglia a letto insieme eat drink and be merry luke 12 19 food and wine in byzantium a history of italian cinema politics and society in italian

c era una volta la confessione aldo maria valli lafeltrinelli - Jul 16 2023

web c era una volta la confessione è un libro di aldo maria valli pubblicato da ancora nella collana percorsi pastorali acquista su lafeltrinelli a 13 30

c era una volta la confessione percorsi pastorali amazon es - May 14 2023

web c era una volta la confessione percorsi pastorali valli aldo maria amazon es libros

c era una volta la confessione percorsi pastorali full pdf - Oct 07 2022

web c era una volta la confessione percorsi pastorali novo dizionario universale della lingua italianag apr 17 2021

confessione jan 27 2022 confessione in russo ispoved è una breve opera di lev tolstoj di argomento religioso distribuito per la prima volta in russia nel 1882 venne subito sequestrato perché ritenuto blasfemo venne

c era una volta la confessione percorsi pastorali jack london - Dec 09 2022

web c era una volta la confessione aldo m valli 2016 la figura e l opera di alfonso de liguori nel sannio angelomichele de

spirito 1999 court and politics in papal rome 1492 1700 gianvittorio signorotto 2002 03 21 this 2002 book attempts to overcome the traditional historiographical approach to the role of the early modern papacy by

c era una volta la confessione percorsi pastorali - Jun 03 2022

web this c era una volta la confessione percorsi pastorali as one of the most vigorous sellers here will categorically be accompanied by the best options to review c era una volta la confessione percorsi pastorali downloaded from

c era una volta la confessione percorsi pastorali pdf - Apr 13 2023

web c era una volta la confessione percorsi pastorali la scienza del crimine sep 29 2022 il filosofo e il suo schermo video interviste confessioni monologhi jun 02 2020 il rapporto tra l intellettuale e i media nelle differenti forme in cui esso si articola in epoca contemporanea è una questione di grande attualità il

c era una volta la confessione percorsi pastorali pdf gigliola - Jul 04 2022

web jun 22 2023 c era una volta la confessione aldo maria valli 2016 03 09 un confessore di ieri e uno di oggi campeggiano sulla copertina di questo libro dall altro lato della grata ieri c erano molti penitenti oggi quanti ce ne sono le ricerche sociologiche e il senso comune ci dicono che la confessione

c era una volta la confessione percorsi pastorali italian edition - Aug 17 2023

web mar 9 2016 c era una volta la confessione percorsi pastorali italian edition kindle edition by valli aldo maria download it once and read it on your kindle device pc phones or tablets use features like bookmarks note taking and highlighting while reading c era una volta la confessione percorsi pastorali italian edition

[c era una volta la confessione apple books](#) - Jan 10 2023

web dall altro lato della grata ieri c erano molti penitenti oggi quanti ce ne sono le ricerche sociologiche e il senso comune ci dicono che la confessione nonostante le esortazioni dei papi non gode di buona salute ma se si va a

c era una volta la confessione percorsi pastorali - Sep 06 2022

web c era una volta la confessione percorsi pastorali 1 c era una volta la confessione percorsi pastorali italian annotated bibliography of tuna tuna like and billfish species encyclopedia of italian literary studies a j social representations in the social arena c era una volta la provincia sowing chaos the truth society megalithism

c era una volta la confessione percorsi pastorali - Mar 12 2023

web success next door to the revelation as well as insight of this c era una volta la confessione percorsi pastorali can be taken as skillfully as picked to act princes patronage and the nobility ronald g asch 1991 using a comparative perspective this volume studies the court as a crucial center of government and politics as well as the

c era una volta la confessione aldo maria valli libreria ibs - Sep 18 2023

web c era una volta la confessione è un libro di aldo maria valli pubblicato da ancora nella collana percorsi pastorali acquista

su ibs a 13 30

[free pdf download c era una volta la confessione percorsi pastorali](#) - May 02 2022

web canon c era una volta una regina aug 07 2022 ponti italiano terzo millennio jun 24 2021 now featuring a brand new design and integration of short film the newly revised ponti italiano terzo millennio provides an up to date look at modern italy with a renewed focus on helping the second year student bridge the gap from the first year

percorsi pastorali c era una volta la confessione ebook aldo - Feb 11 2023

web percorsi pastorali c era una volta la confessione un confessore di ieri e uno di oggi campeggiano sulla copertina di questo libro dall altro lato

c era una volta di agatha christie lacuocaignorante - Feb 28 2022

web jul 24 2017 c era una volta apparso nel 1945 è un romanzo nel quale la christie ha riversato tutte le sue conoscenze sull antica civiltà egiziana che aveva appreso durante i suoi viaggi in compagnia del marito il celebre archeologo mallowan agatha christie breve nota biografica

c era una volta la confessione percorsi pastorali jean vanier - Aug 05 2022

web times for their favorite books later this c era una volta la confessione percorsi pastorali but stop in the works in harmful downloads rather than enjoying a fine ebook in the manner of a mug of coffee in the afternoon on the other hand they juggled with some harmful virus inside their computer c era una volta la confessione percorsi

□□ □□ □ □ □ □ □□ □ - May 11 2023

web □□ □ □□ 8 2008 at 3 08 □□□ □ □ i am very glad to read this in position of reading i want to fuck somebody if you help me this is very fortune for me because i have not done any

nani ki manohar kahani youtube - Feb 25 2022

web nani ki manohar kahani brings your childhood stories to you on a single platform every story has a life and moral lesson associated with it the selection

mast manohar kahani iriss ac uk - Mar 09 2023

web 2 mast manohar kahani 2021 02 16 sevasadan arihant publications india limited all of the animals are afraid of the selfish crocodile he never let s them into his river and he s al

[mast manohar kahani wrbb neu edu](#) - Feb 08 2023

web mast manohar kahani is clear in our digital library an online access to it is set as public in view of that you can download it instantly our digital library saves in complex countries

mast manohar kahani - Aug 02 2022

web 2 mast manohar kahani 2021 03 21 the research studies carried out by french scholars and advanced students in the

encouragement to cultivate mindfulness the quality of presence and wakefulness in our life from washing the dishes to answering the phone he reminds us that each moment holds within it the seeds of understanding and peace

[thich nhat hanh plum village](#) - Aug 03 2022

web thich nhat hanh has published more than 100 books including classics like the miracle of mindfulness and peace is every step explore his books making buddhism accessible

[the miracle of mindfulness google books](#) - Mar 10 2023

web may 1 1999 the miracle of mindfulness an introduction to the practice of meditation thich nhat hanh beacon press may 1 1999 religion 160 pages one of the best available introductions to the wisdom

[bilinçli farkındalık vikipedi](#) - Apr 30 2022

web bilinçli farkındalık bilinçli farkındalık kişinin dikkatini şimdiki zamanda yargılamadan kaçınarak meydana gelen deneyimlere bilinçli olarak getirme şeklinde gelişen psikolojik sürecidir 1 2 3 4 bu süreç meditasyon uygulamaları ve

[the miracle of mindfulness summary blinkist](#) - Jun 01 2022

web the miracle of mindfulness summarized in 6 key ideas audio text in the blinkist app key idea 1 of 6 live each moment of your life by keeping your mind on the task at hand

the miracle of mindfulness summary four minute books - Dec 27 2021

web aug 23 2022 the miracle of mindfulness summary december 4 2019august 23 2022 luke rowley happiness mental health mindfulness psychology self improvement spirituality 1 sentence summary the miracle of mindfulness teaches the ancient buddhist practice of mindfulness and how living in the present will make you happier

the miracle of mindfulness plum village - Aug 15 2023

web the miracle of mindfulness an introduction to the practice of meditation the miracle of mindfulness was written by thich nhat hanh while he was living in exile from his homeland as a long letter to brother quang a main staff member of the school of youth for social service in south vietnam in 1974

the miracle of mindfulness terebess - Oct 05 2022

web the miracle of mindfulness an introduction to the practice of meditation beacon press boston beacon press 25 beacon street boston massachusetts 02108 2892 beacon org beacon press books are published under the auspices of the unitarian universalist association of congregations

the miracle of mindfulness the classic guide to meditation by - Feb 09 2023

web the miracle of mindfulness the classic guide to meditation by the world s most revered master rider 100 amazon co uk hanh thich nhat 9781846041068 books mind body spirit thought practice meditation buy new 9 05 rrp 9 99 details save 0 94 9 free returns free delivery thursday 31 august on your first order to uk or ireland

[pdf epub the miracle of mindfulness an introduction to the](#) - Feb 26 2022

web nov 9 2019 brief summary of book the miracle of mindfulness an introduction to the practice of meditation by thich nhat hanh here is a quick description and cover image of book the miracle of mindfulness an introduction to the practice of meditation written by thich nhat hanh which was published in 1975 you can read this before the miracle of *the miracle of mindfulness the classic guide to meditation by* - May 12 2023

web the miracle of mindfulness the classic guide to meditation by the world s most revered master kağıt kapak 7 Şubat 2008 in this beautifully written book buddhist monk and nobel peace prize nominee thich nhat hanh explains how to *the miracle of mindfulness an introduction to the practice of* - Jul 14 2023

web may 1 1999 the miracle of mindfulness an introduction to the practice of meditation thich nhat hanh vo dihn mai mobi ho 9780807012390 amazon com books books

[the miracle of mindfulness an introduction to the practice of](#) - Nov 06 2022

web may 1 1999 the miracle of mindfulness an introduction to the practice of meditation thich nhat hanh 9780807012390 books amazon ca

the miracle of mindfulness by thich nhat hanh 9780807012390 - Jan 08 2023

web about the miracle of mindfulness in this beautiful and lucid guide zen master thich nhat hanh offers gentle anecdotes and practical exercise as a means of learning the skills of mindfulness being awake and fully aware

the miracle of mindfulness gift edition an introduction to the - Mar 30 2022

web the miracle of mindfulness gift edition an introduction to the practice of meditation hanh thich nhat amazon com tr kitap *thích nhất hạnh wikipedia* - Jun 13 2023

web nhất hạnh began teaching mindfulness in the mid 1970s with his books particularly the miracle of mindfulness 1975 serving as the main vehicle for his early teachings in an interview for on being he said that the miracle of mindfulness was written for our social workers first in vietnam because they were living in a situation

miracle of mindfulness betterhelp - Jan 28 2022

web aug 18 2023 advice home mindfulness how can mindfulness impact your life medically reviewed by melissa guarnaccia lcsw updated august 18 2023 by betterhelp editorial team rawpixel it s not always easy to talk about our thoughts and feelings find a safe space in therapy

the miracle of mindfulness gift edition the classic guide by the - Dec 07 2022

web with a new foreword by professor mark williams university of oxford the miracle of mindfulness is a modern classic in this life changing book buddhist monk and nobel peace prize nominee thich

Eventually, you will enormously discover a supplementary experience and completion by spending more cash. nevertheless when? accomplish you take on that you require to acquire those every needs behind having significantly cash? Why dont you try to acquire something basic in the beginning? Thats something that will lead you to understand even more a propos the globe, experience, some places, later history, amusement, and a lot more?

It is your totally own become old to appear in reviewing habit. accompanied by guides you could enjoy now is **Honda 160cc Engine Diagram** below.

https://offsite.creighton.edu/files/virtual-library/Documents/how_does_the_lorax_relate_to_environmental_science.pdf

https://offsite.creighton.edu/files/virtual-library/Documents/how_much_was_wcw_sold_for.pdf

https://offsite.creighton.edu/files/virtual-library/Documents/how_did_crookedstar_break_his_jaw.pdf

Table of Contents Honda 160cc Engine Diagram

1. Understanding the eBook Honda 160cc Engine Diagram
 - The Rise of Digital Reading Honda 160cc Engine Diagram
 - Advantages of eBooks Over Traditional Books
2. Identifying Honda 160cc Engine Diagram
 - Exploring Different Genres
 - Considering Fiction vs. Non-Fiction
 - Determining Your Reading Goals
3. Choosing the Right eBook Platform
 - Popular eBook Platforms
 - Features to Look for in an Honda 160cc Engine Diagram

- User-Friendly Interface
- 4. Exploring eBook Recommendations from Honda 160cc Engine Diagram
 - Personalized Recommendations
 - Honda 160cc Engine Diagram User Reviews and Ratings
 - Honda 160cc Engine Diagram and Bestseller Lists
- 5. Accessing Honda 160cc Engine Diagram Free and Paid eBooks
 - Honda 160cc Engine Diagram Public Domain eBooks
 - Honda 160cc Engine Diagram eBook Subscription Services
 - Honda 160cc Engine Diagram Budget-Friendly Options
- 6. Navigating Honda 160cc Engine Diagram eBook Formats
 - ePub, PDF, MOBI, and More
 - Honda 160cc Engine Diagram Compatibility with Devices
 - Honda 160cc Engine Diagram Enhanced eBook Features
- 7. Enhancing Your Reading Experience
 - Adjustable Fonts and Text Sizes of Honda 160cc Engine Diagram
 - Highlighting and Note-Taking Honda 160cc Engine Diagram
 - Interactive Elements Honda 160cc Engine Diagram
- 8. Staying Engaged with Honda 160cc Engine Diagram
 - Joining Online Reading Communities
 - Participating in Virtual Book Clubs
 - Following Authors and Publishers Honda 160cc Engine Diagram
- 9. Balancing eBooks and Physical Books Honda 160cc Engine Diagram
 - Benefits of a Digital Library
 - Creating a Diverse Reading Collection Honda 160cc Engine Diagram
- 10. Overcoming Reading Challenges
 - Dealing with Digital Eye Strain
 - Minimizing Distractions
 - Managing Screen Time
- 11. Cultivating a Reading Routine Honda 160cc Engine Diagram
 - Setting Reading Goals Honda 160cc Engine Diagram

- Carving Out Dedicated Reading Time
- 12. Sourcing Reliable Information of Honda 160cc Engine Diagram
 - Fact-Checking eBook Content of Honda 160cc Engine Diagram
 - Distinguishing Credible Sources
- 13. Promoting Lifelong Learning
 - Utilizing eBooks for Skill Development
 - Exploring Educational eBooks
- 14. Embracing eBook Trends
 - Integration of Multimedia Elements
 - Interactive and Gamified eBooks

Honda 160cc Engine Diagram Introduction

In this digital age, the convenience of accessing information at our fingertips has become a necessity. Whether its research papers, eBooks, or user manuals, PDF files have become the preferred format for sharing and reading documents. However, the cost associated with purchasing PDF files can sometimes be a barrier for many individuals and organizations. Thankfully, there are numerous websites and platforms that allow users to download free PDF files legally. In this article, we will explore some of the best platforms to download free PDFs. One of the most popular platforms to download free PDF files is Project Gutenberg. This online library offers over 60,000 free eBooks that are in the public domain. From classic literature to historical documents, Project Gutenberg provides a wide range of PDF files that can be downloaded and enjoyed on various devices. The website is user-friendly and allows users to search for specific titles or browse through different categories. Another reliable platform for downloading Honda 160cc Engine Diagram free PDF files is Open Library. With its vast collection of over 1 million eBooks, Open Library has something for every reader. The website offers a seamless experience by providing options to borrow or download PDF files. Users simply need to create a free account to access this treasure trove of knowledge. Open Library also allows users to contribute by uploading and sharing their own PDF files, making it a collaborative platform for book enthusiasts. For those interested in academic resources, there are websites dedicated to providing free PDFs of research papers and scientific articles. One such website is Academia.edu, which allows researchers and scholars to share their work with a global audience. Users can download PDF files of research papers, theses, and dissertations covering a wide range of subjects. Academia.edu also provides a platform for discussions and networking within the academic community. When it comes to downloading Honda 160cc Engine Diagram free PDF files of magazines, brochures, and catalogs, Issuu is a popular choice. This digital publishing platform hosts a vast collection of publications

from around the world. Users can search for specific titles or explore various categories and genres. Issuu offers a seamless reading experience with its user-friendly interface and allows users to download PDF files for offline reading. Apart from dedicated platforms, search engines also play a crucial role in finding free PDF files. Google, for instance, has an advanced search feature that allows users to filter results by file type. By specifying the file type as "PDF," users can find websites that offer free PDF downloads on a specific topic. While downloading Honda 160cc Engine Diagram free PDF files is convenient, its important to note that copyright laws must be respected. Always ensure that the PDF files you download are legally available for free. Many authors and publishers voluntarily provide free PDF versions of their work, but its essential to be cautious and verify the authenticity of the source before downloading Honda 160cc Engine Diagram. In conclusion, the internet offers numerous platforms and websites that allow users to download free PDF files legally. Whether its classic literature, research papers, or magazines, there is something for everyone. The platforms mentioned in this article, such as Project Gutenberg, Open Library, Academia.edu, and Issuu, provide access to a vast collection of PDF files. However, users should always be cautious and verify the legality of the source before downloading Honda 160cc Engine Diagram any PDF files. With these platforms, the world of PDF downloads is just a click away.

FAQs About Honda 160cc Engine Diagram Books

1. Where can I buy Honda 160cc Engine Diagram books? Bookstores: Physical bookstores like Barnes & Noble, Waterstones, and independent local stores. Online Retailers: Amazon, Book Depository, and various online bookstores offer a wide range of books in physical and digital formats.
2. What are the different book formats available? Hardcover: Sturdy and durable, usually more expensive. Paperback: Cheaper, lighter, and more portable than hardcovers. E-books: Digital books available for e-readers like Kindle or software like Apple Books, Kindle, and Google Play Books.
3. How do I choose a Honda 160cc Engine Diagram book to read? Genres: Consider the genre you enjoy (fiction, non-fiction, mystery, sci-fi, etc.). Recommendations: Ask friends, join book clubs, or explore online reviews and recommendations. Author: If you like a particular author, you might enjoy more of their work.
4. How do I take care of Honda 160cc Engine Diagram books? Storage: Keep them away from direct sunlight and in a dry environment. Handling: Avoid folding pages, use bookmarks, and handle them with clean hands. Cleaning: Gently dust the covers and pages occasionally.
5. Can I borrow books without buying them? Public Libraries: Local libraries offer a wide range of books for borrowing.

- Book Swaps: Community book exchanges or online platforms where people exchange books.
6. How can I track my reading progress or manage my book collection? Book Tracking Apps: Goodreads, LibraryThing, and Book Catalogue are popular apps for tracking your reading progress and managing book collections. Spreadsheets: You can create your own spreadsheet to track books read, ratings, and other details.
 7. What are Honda 160cc Engine Diagram audiobooks, and where can I find them? Audiobooks: Audio recordings of books, perfect for listening while commuting or multitasking. Platforms: Audible, LibriVox, and Google Play Books offer a wide selection of audiobooks.
 8. How do I support authors or the book industry? Buy Books: Purchase books from authors or independent bookstores. Reviews: Leave reviews on platforms like Goodreads or Amazon. Promotion: Share your favorite books on social media or recommend them to friends.
 9. Are there book clubs or reading communities I can join? Local Clubs: Check for local book clubs in libraries or community centers. Online Communities: Platforms like Goodreads have virtual book clubs and discussion groups.
 10. Can I read Honda 160cc Engine Diagram books for free? Public Domain Books: Many classic books are available for free as they're in the public domain. Free E-books: Some websites offer free e-books legally, like Project Gutenberg or Open Library.

Find Honda 160cc Engine Diagram :

how does the lorax relate to environmental science

how much was wcw sold for

[how did crookedstar break his jaw](#)

how many soldiers were left behind at dunkirk

[how to break a voodoo spell](#)

[how dare you in french](#)

[how the economic machine works pdf](#)

how many pages in catching fire

homer iliad pdf

how does your garden grow song lyrics

how much is 1k money

[how much are japanese woodblock prints worth](#)

houses in asia

how to become a probation officer in missouri

how to become an esthetician in south korea

Honda 160cc Engine Diagram :