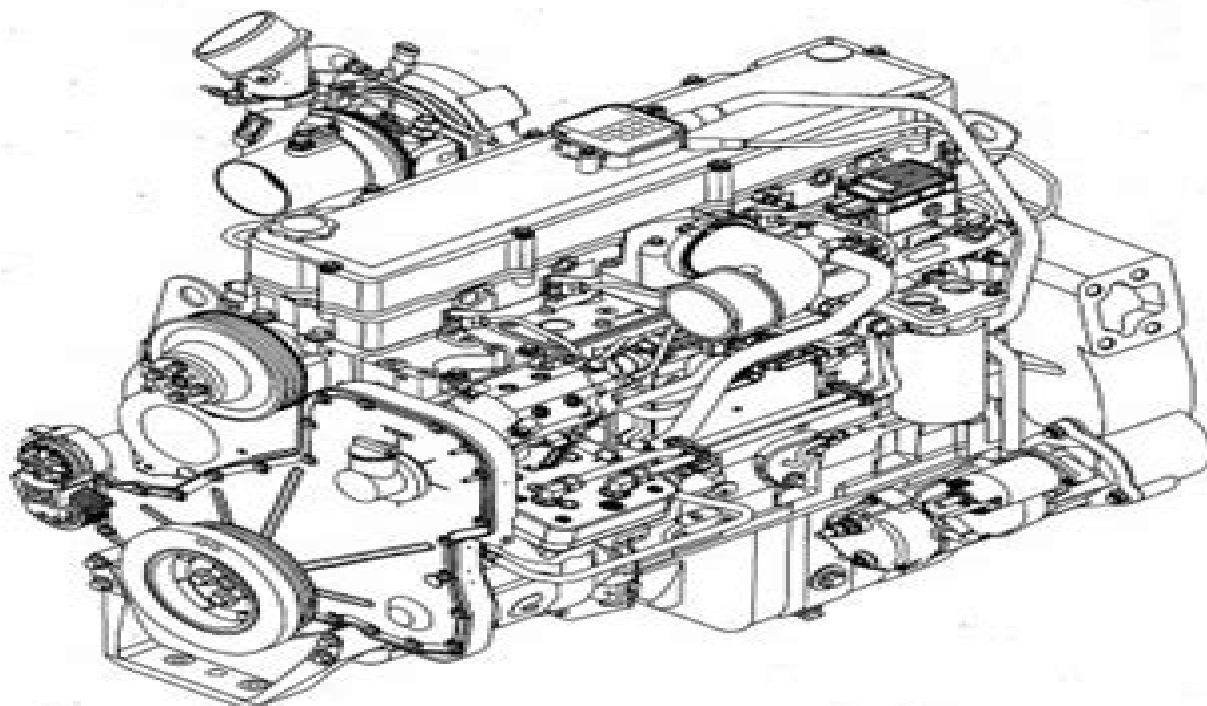




Troubleshooting and Repair Manual ISC, ISC[®], QSC8.3, ISL and QSL9 Engines

Open front screen



Copyright© 2003
Cummins Inc.
All rights reserved

Bulletin 4021-418-00
Printed 12/03

L99 Engine Free Repair Manual

GM Corporation



L99 Engine Free Repair Manual

Repair Manual Ford Motor Company. Service Department,1947

Snowmobile Service Manual Intertec Publishing Corporation. Technical Publications Division,1971

1925 - 1926 Chevrolet Car, Pickup, & Truck Repair Shop Manual GM Corporation,2020-05-10 This 1925 1926 Chevrolet Car Pickup Truck Repair Shop Manual is a high quality licensed PRINT reproduction of the service manual authored by General Motors Corporation and published by Detroit Iron This OEM factory manual is 8 5 x 11 inches paperback bound shrink wrapped and contains 152 pages of comprehensive mechanical instructions with detailed diagrams photos and specifications for the mechanical components of your vehicle such as the engine transmission suspension brakes fuel exhaust steering electrical and drive line Service repair manuals were originally written by the automotive manufacturer to be used by their dealership mechanics The following 1925 1926 Chevrolet models are covered Superior Superior Truck This factory written Detroit Iron shop manual is perfect for the restorer or anyone working on one of these vehicles

1986 Chevy LD Truck Unit Repair Manual GM Corporation,2020-05-10 This 1986 Chevy LD Truck Unit Repair Manual is a high quality licensed PRINT reproduction of the service manual authored by General Motors Corporation and published by Detroit Iron This OEM factory manual is 8 5 x 11 inches paperback bound shrink wrapped and contains 832 pages of comprehensive mechanical instructions with detailed diagrams photos and specifications for the mechanical components of your vehicle such as the engine transmission suspension brakes fuel exhaust steering electrical and drive line Service repair manuals were originally written by the automotive manufacturer to be used by their dealership mechanics The following 1986 Chevrolet models are covered C10 C10 Suburban C20 C20 Suburban C30 K10 K10 Suburban K20 K20 Suburban K30 K5 Blazer Astro G10 G20 G30 P20 P30 S10 S10 Blazer This factory written Detroit Iron shop manual is perfect for the restorer or anyone working on one of these vehicles

Chevrolet Engine Service Manual for 'C and E' Series Bedford ,197?

Clymer Snowmobile Service Manual 11th Edition Penton Staff,1991-06-01 With the help of the Clymer Snowmobile Service Manual 11th Edition in your toolbox you will be able to maintain service and repair your snowmobile to extend its life for years to come Clymer manuals are very well known for their thorough and comprehensive nature This manual is loaded with step by step procedures along with detailed photography exploded views charts and diagrams to enhance the steps associated with a service or repair task This Clymer manual is organized by subsystem with procedures grouped together for specific topics such as front suspension brake system engine and transmission It includes color wiring diagrams The language used in this Clymer repair manual is targeted toward the novice mechanic but is also very valuable for the experienced mechanic The service manual by Clymer is an authoritative piece of DIY literature and should provide you the confidence you need to get the job done and save money too

1993 Chevrolet Light Duty Truck Fuel & Emissions Service Manual GM Corporation,2020-05-10 This 1993 Chevrolet Light Duty Truck Fuel Emissions Service Manual is a high quality licensed PRINT reproduction of the service manual authored by General Motors Corporation and published by Detroit Iron This OEM factory manual is 8 5 x 11 inches paperback bound shrink wrapped and contains 872 pages of comprehensive mechanical instructions with detailed diagrams photos and specifications for the mechanical components of your vehicle such as the engine transmission suspension brakes fuel exhaust steering electrical and drive line Service repair manuals were originally written by the automotive manufacturer to be used by their dealership mechanics The following 1993 Chevrolet models are covered Blazer C1500 C1500 Suburban C2500 C2500 Suburban C3500 K1500 K1500 Suburban K2500 K2500 Suburban K3500 S10 S10 Blazer Astro G10 G20 G30 P30 This factory written Detroit Iron shop manual is perfect for the restorer or anyone working on one of these vehicles

1931 Chevrolet Car & Truck Repair Shop Manual GM Corporation,2020-05-10 This 1931 Chevrolet Car Truck Repair Shop Manual is a high quality licensed PRINT reproduction of the service manual authored by General Motors Corporation and published by Detroit Iron This OEM factory manual is 8 5 x 11 inches paperback bound shrink wrapped and contains 280 pages of comprehensive mechanical instructions with detailed diagrams photos and specifications for the mechanical components of your vehicle such as the engine transmission suspension brakes fuel exhaust steering electrical and drive line Service repair manuals were originally written by the automotive manufacturer to be used by their dealership mechanics The following 1931 Chevrolet models are covered AE Independence Truck This factory written Detroit Iron shop manual is perfect for the restorer or anyone working on one of these vehicles

Motor's Auto Repair Manual ,1963

1981 Chevrolet Car & Truck Unit Repair Manual GM Corporation,2020-05-10 This 1981 Chevrolet Car Truck Unit Repair Manual is a high quality licensed PRINT reproduction of the service manual authored by General Motors Corporation and published by Detroit Iron This OEM factory manual is 8 5 x 11 inches paperback bound shrink wrapped and contains 546 pages of comprehensive mechanical instructions with detailed diagrams photos and specifications for the mechanical components of your vehicle such as the engine transmission suspension brakes fuel exhaust steering electrical and drive line Service repair manuals were originally written by the automotive manufacturer to be used by their dealership mechanics The following 1981 Chevrolet models are covered Bel Air Camaro Caprice Impala Malibu Monte Carlo El Camino C10 C10 Suburban C20 C20 Suburban C30 G10 G20 G30 K10 K10 Suburban K20 K20 Suburban K5 Blazer P20 P30 K30 This factory written Detroit Iron shop manual is perfect for the restorer or anyone working on one of these vehicles

1938 Chevrolet Car and Truck Shop Manual GM Corporation,2020-05-10 This 1938 Chevrolet Car and Truck Shop Manual is a high quality licensed PRINT reproduction of the service manual authored by General Motors Corporation and published by Detroit Iron This OEM factory manual is 8 5 x 11 inches paperback bound shrink wrapped and contains 276 pages of comprehensive mechanical instructions with detailed diagrams photos and specifications for the mechanical components of your vehicle such as the engine transmission suspension brakes fuel exhaust steering electrical and drive line Service repair manuals were originally written by the automotive manufacturer to be used by their dealership mechanics The following 1938 Chevrolet models are covered HC HD HE Master Master Deluxe Master Truck This factory written Detroit Iron shop manual is perfect for the restorer or anyone working on one of these vehicles

Engine Repair Manual Atlantis Diesel Engines (Firm),1987*

1934 Chevrolet Shop Manual - Master & Standard GM Corporation,2020-05-10 This 1934 Chevrolet Shop Manual Master Standard is a high quality licensed PRINT reproduction of the service manual authored by General Motors Corporation and published by Detroit Iron This OEM factory manual is 8 5 x 11 inches paperback bound shrink wrapped and contains 164 pages of comprehensive mechanical instructions with detailed diagrams photos and specifications for the mechanical components of your vehicle such as the engine transmission suspension brakes fuel exhaust steering electrical and drive line Service repair manuals were originally written by the automotive manufacturer to be used by their dealership mechanics The following 1934 Chevrolet models are covered DB Master Standard This factory written Detroit Iron shop manual is perfect for the restorer or anyone working on one of these vehicles

1927 - 1928 Chevrolet Car & Truck Repair Shop Manual GM Corporation,2020-05-10 This 1927 1928 Chevrolet Car Truck Repair Shop Manual is a high quality licensed PRINT reproduction of the service manual authored by General Motors Corporation and published by Detroit Iron This OEM factory manual is 8 5 x 11 inches paperback bound shrink wrapped and contains 272 pages of comprehensive mechanical instructions with detailed diagrams photos and specifications for the mechanical components of your vehicle such as the engine transmission suspension brakes fuel exhaust steering electrical and drive line Service repair manuals were originally written by the automotive manufacturer to be used by their dealership mechanics The following 1927 1928 Chevrolet models are covered Capitol National Capitol Truck National Truck This factory written Detroit Iron shop manual is perfect for the restorer or anyone working on one of these vehicles

1973 Chevrolet Light Duty Truck Service Manual GM Corporation,2020-05-10 This 1973 Chevrolet Light Duty Truck Service Manual is a high quality licensed PRINT reproduction of the service manual authored by General Motors Corporation and published by Detroit Iron This OEM factory manual is 8 5 x 11 inches paperback bound shrink wrapped and contains 976 pages of comprehensive mechanical instructions with detailed diagrams photos and specifications for the mechanical components of your vehicle such as the engine transmission suspension brakes fuel exhaust steering electrical and drive line Service repair manuals were originally written by the automotive manufacturer to be used by their dealership mechanics The following 1973 Chevrolet models are covered Blazer C10 Pickup C10 Suburban C20 Pickup C20 Suburban C30 Pickup G10 Van G20 Van G30 Van K10 Pickup K10 Suburban K20 Pickup K20 Suburban K30 Pickup Luv Pickup P10 Van P20 Van P30 Van This factory written Detroit Iron shop manual is perfect for the restorer or anyone working on one of these vehicles

1981 Chevrolet Light Duty Truck Service Manual GM Corporation,2020-05-10 This 1981 Chevrolet Light Duty Truck Service Manual is a high quality licensed PRINT reproduction of the service manual authored by General Motors Corporation and published by Detroit Iron This OEM factory manual is 8 5 x 11 inches paperback bound shrink wrapped and contains 1162 pages of comprehensive mechanical instructions with detailed diagrams photos and specifications for the mechanical components of your vehicle such as the engine transmission suspension brakes fuel exhaust steering electrical and drive line Service repair manuals were originally written by the automotive manufacturer to be used by their dealership mechanics The following 1981 Chevrolet models are covered C10 C10 Suburban C20 C20 Suburban C30 G10 G20 G30 K10 K10 Suburban K20 K20 Suburban K5 Blazer P20 P30 K30 This factory written Detroit Iron shop manual is perfect for the restorer or anyone working on one of these vehicles

1974 Chevrolet Light Duty Truck Service Manual GM Corporation,2020-05-10 This 1974 Chevrolet Light Duty Truck Service Manual is a high quality licensed PRINT reproduction of the service manual authored by General Motors Corporation and published by Detroit Iron This OEM factory manual is 8 5 x 11 inches paperback bound shrink wrapped and contains 978 pages of comprehensive mechanical instructions with detailed diagrams photos and specifications for the mechanical components of your vehicle such as the engine transmission suspension brakes fuel exhaust steering electrical and drive line Service repair manuals were originally written by the automotive manufacturer to be used by their dealership mechanics The following 1974 Chevrolet models are covered Blazer C10 Pickup C10 Suburban C20 Pickup C20 Suburban C30 Pickup G10 Van G20 Van G30 Van K10 Pickup K10 Suburban K20 Pickup K20 Suburban K30 Pickup P10 Van P20 Van P30 Van This factory written Detroit Iron shop manual is perfect for the restorer or anyone working on one of these vehicles

1980 Chevrolet Light Duty Truck Service Manual GM Corporation,2020-05-10 This 1980 Chevrolet Light Duty Truck Service Manual is a high quality licensed PRINT reproduction of the service manual authored by General Motors Corporation and published by Detroit Iron This OEM factory manual is 8 5 x 11 inches paperback bound shrink wrapped and contains 1032 pages of comprehensive mechanical instructions with detailed diagrams photos and specifications for the mechanical components of your vehicle such as the engine transmission suspension brakes fuel exhaust steering electrical and drive line Service repair manuals were originally written by the automotive manufacturer to be used by their dealership mechanics The following 1980 Chevrolet models are covered C10 C10 Suburban C20 C20 Suburban C30 G10 G20 G30 K10 K10 Suburban K20 K20 Suburban K5 Blazer P10 P20 P30 K30 This factory written Detroit Iron shop manual is perfect for the restorer or anyone working on one of these vehicles

1979 Chevrolet Service Manual GM Corporation,2020-05-10 This 1979 Chevrolet Service Manual is a high quality licensed PRINT reproduction of the service manual authored by General Motors Corporation and published by Detroit Iron This OEM factory manual is 8 5 x 11 inches paperback bound shrink wrapped and contains 948 pages of comprehensive mechanical instructions with detailed diagrams photos and specifications for the mechanical components of your vehicle such as the engine transmission suspension brakes fuel exhaust steering electrical and drive line Service repair manuals were originally written by the automotive manufacturer to be used by their dealership mechanics The following 1979 Chevrolet models are covered Camaro Caprice Corvette El Camino Impala Malibu Monte Carlo Nova This factory written Detroit Iron shop manual is perfect for the restorer or anyone working on one of these vehicles

1940 Chevrolet Shop Manual GM Corporation,2020-05-10 This 1940 Chevrolet Shop Manual is a high quality licensed PRINT reproduction of the service manual authored by General Motors Corporation and published by Detroit Iron This OEM factory manual is 8 5 x 11 inches paperback bound shrink wrapped and contains 282 pages of comprehensive mechanical instructions with detailed diagrams photos and specifications for the mechanical components of your vehicle such as the engine transmission suspension brakes fuel exhaust steering electrical and drive line Service repair manuals were originally written by the automotive manufacturer to be used by their dealership mechanics The following 1940 Chevrolet models are covered KC KD KF KP Master 85 Special Deluxe WA This factory written Detroit Iron shop manual is perfect for the restorer or anyone working on one of these vehicles

Right here, we have countless ebook **L99 Engine Free Repair Manual** and collections to check out. We additionally allow variant types and as a consequence type of the books to browse. The pleasing book, fiction, history, novel, scientific research, as competently as various extra sorts of books are readily to hand here.

As this L99 Engine Free Repair Manual, it ends going on innate one of the favored book L99 Engine Free Repair Manual collections that we have. This is why you remain in the best website to look the incredible ebook to have.

<https://offsite.creighton.edu/data/uploaded-files/index.jsp/Hard%20Algebra%20Problems%20With%20Answers.pdf>

https://offsite.creighton.edu/data/uploaded-files/index.jsp/gustave_dore_dantes_inferno.pdf

<https://offsite.creighton.edu/data/uploaded-files/index.jsp/gute%20fahrt%20translation.pdf>

Table of Contents L99 Engine Free Repair Manual

1. Understanding the eBook L99 Engine Free Repair Manual
 - The Rise of Digital Reading L99 Engine Free Repair Manual
 - Advantages of eBooks Over Traditional Books
2. Identifying L99 Engine Free Repair Manual
 - Exploring Different Genres
 - Considering Fiction vs. Non-Fiction
 - Determining Your Reading Goals
3. Choosing the Right eBook Platform
 - Popular eBook Platforms
 - Features to Look for in an L99 Engine Free Repair Manual
 - User-Friendly Interface
4. Exploring eBook Recommendations from L99 Engine Free Repair Manual
 - Personalized Recommendations
 - L99 Engine Free Repair Manual User Reviews and Ratings
 - L99 Engine Free Repair Manual and Bestseller Lists
5. Accessing L99 Engine Free Repair Manual Free and Paid eBooks
 - L99 Engine Free Repair Manual Public Domain eBooks

- L99 Engine Free Repair Manual eBook Subscription Services
- L99 Engine Free Repair Manual Budget-Friendly Options
- 6. Navigating L99 Engine Free Repair Manual eBook Formats
 - ePub, PDF, MOBI, and More
 - L99 Engine Free Repair Manual Compatibility with Devices
 - L99 Engine Free Repair Manual Enhanced eBook Features
- 7. Enhancing Your Reading Experience
 - Adjustable Fonts and Text Sizes of L99 Engine Free Repair Manual
 - Highlighting and Note-Taking L99 Engine Free Repair Manual
 - Interactive Elements L99 Engine Free Repair Manual
- 8. Staying Engaged with L99 Engine Free Repair Manual
 - Joining Online Reading Communities
 - Participating in Virtual Book Clubs
 - Following Authors and Publishers L99 Engine Free Repair Manual
- 9. Balancing eBooks and Physical Books L99 Engine Free Repair Manual
 - Benefits of a Digital Library
 - Creating a Diverse Reading Collection L99 Engine Free Repair Manual
- 10. Overcoming Reading Challenges
 - Dealing with Digital Eye Strain
 - Minimizing Distractions
 - Managing Screen Time
- 11. Cultivating a Reading Routine L99 Engine Free Repair Manual
 - Setting Reading Goals L99 Engine Free Repair Manual
 - Carving Out Dedicated Reading Time
- 12. Sourcing Reliable Information of L99 Engine Free Repair Manual
 - Fact-Checking eBook Content of L99 Engine Free Repair Manual
 - Distinguishing Credible Sources
- 13. Promoting Lifelong Learning
 - Utilizing eBooks for Skill Development
 - Exploring Educational eBooks

14. Embracing eBook Trends

- Integration of Multimedia Elements
- Interactive and Gamified eBooks

L99 Engine Free Repair Manual Introduction

In this digital age, the convenience of accessing information at our fingertips has become a necessity. Whether its research papers, eBooks, or user manuals, PDF files have become the preferred format for sharing and reading documents. However, the cost associated with purchasing PDF files can sometimes be a barrier for many individuals and organizations. Thankfully, there are numerous websites and platforms that allow users to download free PDF files legally. In this article, we will explore some of the best platforms to download free PDFs. One of the most popular platforms to download free PDF files is Project Gutenberg. This online library offers over 60,000 free eBooks that are in the public domain. From classic literature to historical documents, Project Gutenberg provides a wide range of PDF files that can be downloaded and enjoyed on various devices. The website is user-friendly and allows users to search for specific titles or browse through different categories. Another reliable platform for downloading L99 Engine Free Repair Manual free PDF files is Open Library. With its vast collection of over 1 million eBooks, Open Library has something for every reader. The website offers a seamless experience by providing options to borrow or download PDF files. Users simply need to create a free account to access this treasure trove of knowledge. Open Library also allows users to contribute by uploading and sharing their own PDF files, making it a collaborative platform for book enthusiasts. For those interested in academic resources, there are websites dedicated to providing free PDFs of research papers and scientific articles. One such website is Academia.edu, which allows researchers and scholars to share their work with a global audience. Users can download PDF files of research papers, theses, and dissertations covering a wide range of subjects. Academia.edu also provides a platform for discussions and networking within the academic community. When it comes to downloading L99 Engine Free Repair Manual free PDF files of magazines, brochures, and catalogs, Issuu is a popular choice. This digital publishing platform hosts a vast collection of publications from around the world. Users can search for specific titles or explore various categories and genres. Issuu offers a seamless reading experience with its user-friendly interface and allows users to download PDF files for offline reading. Apart from dedicated platforms, search engines also play a crucial role in finding free PDF files. Google, for instance, has an advanced search feature that allows users to filter results by file type. By specifying the file type as "PDF," users can find websites that offer free PDF downloads on a specific topic. While downloading L99 Engine Free Repair Manual free PDF files is convenient, its important to note that copyright laws must be respected. Always ensure that the PDF files you download are legally available for free. Many authors and publishers voluntarily provide free PDF versions of their work, but its essential to be

cautious and verify the authenticity of the source before downloading L99 Engine Free Repair Manual. In conclusion, the internet offers numerous platforms and websites that allow users to download free PDF files legally. Whether its classic literature, research papers, or magazines, there is something for everyone. The platforms mentioned in this article, such as Project Gutenberg, Open Library, Academia.edu, and Issuu, provide access to a vast collection of PDF files. However, users should always be cautious and verify the legality of the source before downloading L99 Engine Free Repair Manual any PDF files. With these platforms, the world of PDF downloads is just a click away.

FAQs About L99 Engine Free Repair Manual Books

How do I know which eBook platform is the best for me? Finding the best eBook platform depends on your reading preferences and device compatibility. Research different platforms, read user reviews, and explore their features before making a choice. Are free eBooks of good quality? Yes, many reputable platforms offer high-quality free eBooks, including classics and public domain works. However, make sure to verify the source to ensure the eBook credibility. Can I read eBooks without an eReader? Absolutely! Most eBook platforms offer web-based readers or mobile apps that allow you to read eBooks on your computer, tablet, or smartphone. How do I avoid digital eye strain while reading eBooks? To prevent digital eye strain, take regular breaks, adjust the font size and background color, and ensure proper lighting while reading eBooks. What the advantage of interactive eBooks? Interactive eBooks incorporate multimedia elements, quizzes, and activities, enhancing the reader engagement and providing a more immersive learning experience. L99 Engine Free Repair Manual is one of the best book in our library for free trial. We provide copy of L99 Engine Free Repair Manual in digital format, so the resources that you find are reliable. There are also many Ebooks of related with L99 Engine Free Repair Manual. Where to download L99 Engine Free Repair Manual online for free? Are you looking for L99 Engine Free Repair Manual PDF? This is definitely going to save you time and cash in something you should think about.

Find L99 Engine Free Repair Manual :

[hard algebra problems with answers](#)

[gustave dore dante's inferno](#)

[**gute fahrt translation**](#)

[**graduation speech preschool**](#)

[hacking lesson 1](#)

goosebumps amusement park

[guinea fun facts](#)

great wall bookstore lle

great pumpkin stencils

goodbye summer hello autumn read aloud

gregor mendel's work was the foundation for understanding why

[ham radio licenses](#)

grief activities for high school students

[hamilton financial plan apush](#)

group therapy progress note

L99 Engine Free Repair Manual :

carte indéchirable bourgogne 2014 michelin by michelin - Aug 15 2023

web impermeable et ultra résistant la carte région michelin bourgogne 2014 reste intacte même avec une utilisation intensive avec les cartes et atlas

mercedes benz c class 2011 2014 grand edition cdi - Mar 30 2022

web mercedes benz c class 2011 2014 grand edition cdi variants get price mileage and available offers in india for mercedes benz c class 2011 2014 versions at carwale

carte inda c chirable bourgogne 2014 michelin pdf pdf - Apr 11 2023

web carte inda c chirable bourgogne 2014 michelin pdf pdf devy ortax org created date 9 1 2023 5 55 42 am

carte inda c chirable bourgogne 2014 michelin pdf uniport edu - Jan 08 2023

web aug 15 2023 could quickly download this carte inda c chirable bourgogne 2014 michelin after getting deal so behind you require the ebook swiftly you can straight get it

fiche technique inden design classe c 2014 motorsdb - Jul 02 2022

web jun 26 2014 inden design classe c 2014 fiche technique complète avec caractéristiques techniques du modèle

carte inda c chirable bourgogne 2014 michelin pdf uniport edu - Feb 09 2023

web carte inda c chirable bourgogne 2014 michelin 1 11 downloaded from uniport edu ng on june 17 2023 by guest carte inda c chirable bourgogne 2014 michelin this is

carte indéchirable bourgogne 2014 michelin by michelin - Mar 10 2023

web aug 1 2023 carte indéchirable bourgogne 2014 michelin by michelin author reserve lasd org 2023 08 01 19 16 56

subject carte indéchirable bourgogne 2014

carte michelin indiana plan indiana viamichelin - Jun 01 2022

web trouvez l adresse qui vous intéresse sur la carte indiana ou préparez un calcul d itinéraire à partir de ou vers indiana trouvez tous les sites touristiques et les restaurants du guide

carte inda c chirable corse 2014 michelin - Aug 03 2022

web we give carte inda c chirable corse 2014 michelin and numerous ebook collections from fictions to scientific research in any way accompanied by them is this carte inda c

carte indéchirable bourgogne 2014 michelin by michelin - Nov 25 2021

web mise a jour tous les ans la carte region michelin bourgogne 2014 rassemble toutes les informations utiles pour vous permettre d optimiser vos déplacements

carte indéchirable bourgogne 2014 michelin by michelin - Jan 28 2022

web mise a jour tous les ans la carte region michelin bourgogne 2014 rassemble toutes les informations utiles pour vous permettre d optimiser

carte inda c chirable aquitaine 2014 michelin full pdf ci kubesail - Sep 04 2022

web carte inda c chirable aquitaine 2014 michelin 3 3 artificial intelligence in society digicat territory democracy and justice brings together experts from six countries to ask what

carte michelin incarville plan incarville viamichelin - Apr 30 2022

web trouvez l adresse qui vous intéresse sur la carte incarville ou préparez un calcul d itinéraire à partir de ou vers incarville trouvez tous les sites touristiques et les restaurants du

carte inda c chirable normandie 2014 michelin 2022 - Feb 26 2022

web 2 carte inda c chirable normandie 2014 michelin 2022 01 11 this is a reproduction of a book published before 1923 this book may have occasional imperfections such as

carte inda c chirable bourgogne 2014 michelin copy uniport edu - Oct 25 2021

web carte inda c chirable bourgogne 2014 michelin 2 10 downloaded from uniport edu ng on july 18 2023 by guest ansel is the creator of the cronut the croissant doughnut

carte inda c chirable bourgogne 2014 michelin copy uniport edu - Oct 05 2022

web may 28 2023 carte inda c chirable bourgogne 2014 michelin 1 12 downloaded from uniport edu ng on may 28 2023 by guest carte inda c chirable bourgogne 2014

carte inda c chirable bourgogne 2014 michelin copy uniport edu - Dec 27 2021

web apr 13 2023 carte inda c chirable bourgogne 2014 michelin 2 10 downloaded from uniport edu ng on april 13 2023 by

guest fourth edition explores all aspects of the field

[carte inda c chirable bourgogne 2014 michelin pdf uniport edu](#) - May 12 2023

web jun 12 2023 carte inda c chirable bourgogne 2014 michelin 1 11 downloaded from uniport edu ng on june 12 2023 by guest carte inda c chirable bourgogne 2014

[carte inda c chirable bourgogne 2014 michelin pdf trilhos cacao](#) - Nov 06 2022

web we find the money for you this proper as with ease as easy pretentiousness to get those all we allow carte inda c chirable bourgogne 2014 michelin pdf and numerous ebook

carte indéchirable bourgogne 2014 michelin by michelin - Dec 07 2022

web jun 25 2023 carte indéchirable bourgogne 2014 michelin by michelin author top ic edu sa 2023 06 25 16 24 24 subject carte indéchirable bourgogne 2014

[carte inda c chirable bourgogne 2014 michelin pdf full pdf](#) - Jun 13 2023

web apr 4 2023 we pay for carte inda c chirable bourgogne 2014 michelin pdf and numerous books collections from fictions to scientific research in any way in the middle

[carte indéchirable bourgogne 2014 michelin by michelin](#) - Jul 14 2023

web may 28 2023 carte indéchirable bourgogne 2014 michelin by michelin moreover it is not promptly done you could believe even more approximately this life nearly the world

destination architecture the essential travel guide - Mar 02 2023

web the definitive architecture travel guide that lets you visit 1 000 of today s most must see contemporary buildings whether at home or on the road featuring 1 000 of today s most

[top 15 travel destinations for architecture lovers trips to](#) - Dec 19 2021

[destination architecture the essential guide to 1000 alibris](#) - Mar 22 2022

web alternatively contact the ieee registration authority by e mail or by phone on 1 732 562 3813 or fax 1 732 562 1571 the cost for an oui allocation at the time of going to press

[destination architecture the essential guide to 1000](#) - Oct 09 2023

web nov 27 2017 destination architecture the essential guide to 1000 contemporary buildings phaidon editors 9780714875354 amazon com books books

destination address an overview sciencedirect topics - Nov 17 2021

destination architecture the essential guide to 1000 bookshop - Oct 29 2022

web destination architecture the essential guide to 1000 contemporary buildings hardcover illustrated 10 november 2017 by phaidon editors author 4 5 4 5 out of 5

destination architecture the essential guide to 1000 - Jun 05 2023

web destination architecture the essential guide to 1000 contemporary buildings phaidon editors amazon com tr kitap

destination architecture the essential guide to 1000 - Aug 27 2022

web nov 10 2017 booktopia has destination architecture the essential guide to 1000 contemporary buildings by phaidon editors buy a discounted paperback of destination

destination architecture the essential guide to 1000 - Dec 31 2022

web the definitive architecture travel guide that lets you visit 1 000 of today s most must see contemporary buildings whether at home or on the roadfeaturing 1 000 of today s most

destination architecture the essential guide to 1000 - Aug 07 2023

web destination architecture is the compact companion for contemporary construction a comprehensive travel guide a building bucket list destination architecture ticks all the

destination architecture the essential guide to 1000 - Apr 22 2022

web nov 18 2015 dubai united arab emirates best places to stay dubai is perhaps the best place in the world to view modern architecture at its best take for example the 2 723

destination architecture the essential guide to 1000 - Jul 26 2022

web buy destination architecture the essential guide to 1000 contemporary buildings by phaidon press online at alibris we have new and used copies available in 1 editions

destination architecture the essential guide to 1000 - Sep 08 2023

web buy destination architecture the essential guide to 1000 contemporary buildings illustrated by phaidon editors isbn 9780714875354 from amazon s book store

the best travel destinations for architecture if you re ready - Jan 20 2022

[destination architecture criticalista](#) - Feb 18 2022

destination architecture the essential guide to 1000 - Apr 03 2023

web destination architecture the essential guide to 1000 contemporary buildings phaidon editors amazon ca books

[destination architecture the essential guide to 1000](#) - Nov 29 2022

web the definitive architecture travel guide that lets you visit 1 000 of today s most must see contemporary buildings

whether at home or on the road featuring 1 000 of today s
[destination architecture architecture store phaidon](#) - Jul 06 2023

web destination architecture the essential guide to 1000 contemporary buildings 29 95 add to cart featuring 1 000 of today s most compelling buildings by the world s finest

destination architecture the essential guide to 1000 - Feb 01 2023

web destination architecture the essential guide to 1000 contemporary buildings yazar phaidon editors yayınevi phaidon Öne Çıkan bilgiler ebat 12 5 x 18 5 İlk baskı yılı

destination architecture the essential guide to 1000 - Jun 24 2022

web aug 1 2017 destination architecture fish by frank gehry photo sergio pirrone barcelona may be well known today as an urban tourism destination but it was not

destination architecture the essential guide to 1000 - May 04 2023

web nov 27 2017 overview the definitive architecture travel guide that lets you visit 1 000 of today s most must see contemporary buildings whether at home or on the road

[destination architecture the essential guide to 1000](#) - May 24 2022

web nov 24 2021 sevilla s origins date back to the 8th century which means an expansive variety of architectural styles can be found here among the shining examples of the

destination architecture the essential guide to 1000 - Sep 27 2022

web buy destination architecture the essential guide to 1000 contemporary buildings by phaidon editors online on amazon ae at best prices fast and free shipping free returns

flat stanley flat stanley 1 by jeff brown goodreads - Jul 12 2023

web flat stanley jeff brown macky pamintuan illustrator 3 85 15 773 ratings1 055 reviews when stanley lambchop wakes up one morning his brother arthur is yelling a bulletin board fell on stanley during the night and now he is only half an inch thick amazing things begin happening to him stanley gets rolled up mailed and flown like a kite

[home flat stanley books flat stanley books](#) - Aug 13 2023

web welcome to flatstanleybooks com jeff brown s beloved character flat stanley has been entertaining young readers for generations ever since being flattened by a bulletin board in his bedroom in 1964 join us as we celebrate 50 flat out amazing years with new books in the worldwide adventures series common core aligned printable

flat stanley 4 books in 1 flat stanley his by brown jeff - Jan 06 2023

web jun 7 2016 four classic flat stanley adventures in a brand new bind up when a bulletin board falls on stanley and makes him flat the adventures begin this paper over board bind up edition includes flat stanley his original adventure stanley flat

again stanley in space and stanley and the magic lamp

flat stanley series by jeff brown goodreads - Feb 07 2023

web flat stanley 6 book collection flat stanley stanley flat again stanley in space invisible stanley stanley and the magic lamp stanley s christmas adventure by jeff brown 4 07 41 ratings 1 reviews published 2009 4 editions wonderful imaginative adventures make great first

flat stanley wikipedia - Oct 15 2023

web flat stanley is an american children s book series written by author jeff brown january 1 1926 december 3 2003 1 the idea for the book began as a bedtime story for brown s sons which brown turned into the first flat stanley book the first book featured illustrations by tomi ungerer and was published in 1964 2

flat stanley his original adventure jeff brown google books - May 10 2023

web sep 28 2010 jeff brown harper collins sep 28 2010 juvenile fiction 96 pages in this 50th anniversary edition join flat stanley and the rest of the lambchop family on the adventure that started it

flat stanley his original adventure amazon com - Jun 11 2023

web dec 23 2013 flat stanley is the simple tale of stanley lambchop an ordinary boy who has the misfortune to be squashed flat by a cork notice board in adulthood this does raise some serious questions but for a five year old there s just this acceptance that this is of course what would happen

flat stanley s worldwide adventures series by jeff brown goodreads - Apr 09 2023

web 4 35 17 ratings published 2014 5 editions with this collection of all twelve novels in flat want to read rate it make sure to catch all the flat stanley series including the original goodreads com series 59524 flat stanley and the

home flat stanley project - Sep 14 2023

web welcome to the original flat stanley project the longest lasting literacy site on the internet created owned and voluntarily operated since 1995 by dale hubert m ed

flat stanley book review common sense media - Mar 08 2023

web what s the story flat as a pancake smashed by a bulletin board stanley uses his new shape to gain attention but he soon learns the downside of being different jeff brown s sophisticated humor keeps adults entertained while kids identify with stanley s feelings and enjoy his adventures