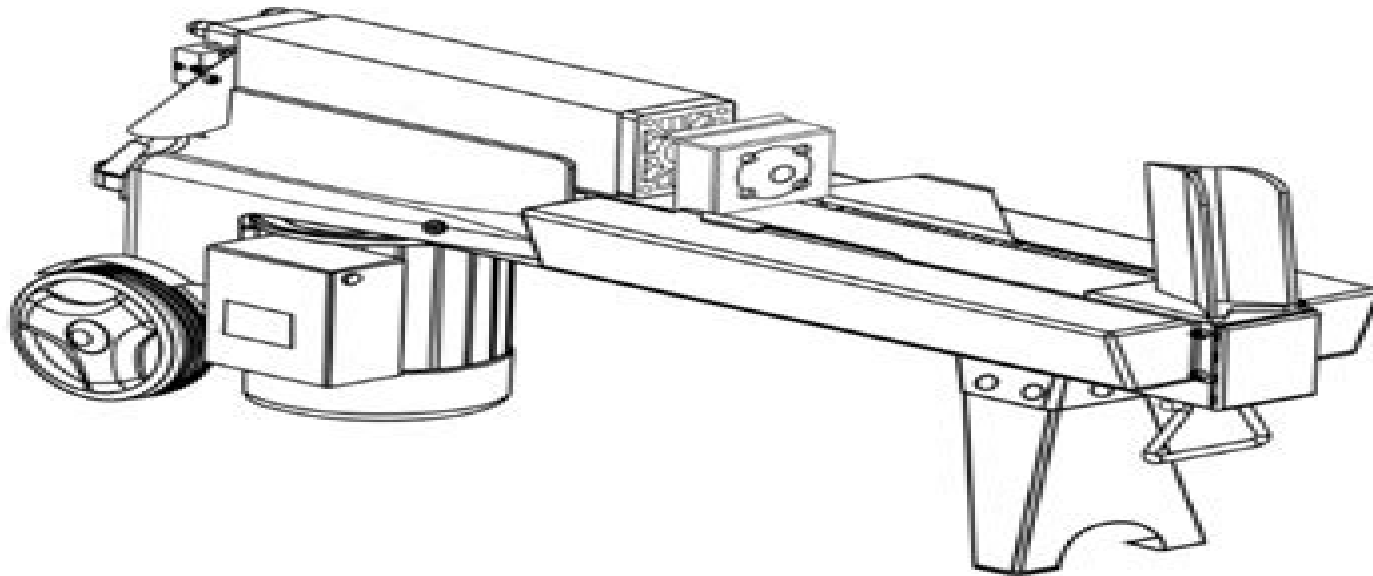


# **5-TON LOG SPLITTER OWNER'S MANUAL**



**⚠ WARNING:** Read carefully and understand **RULES FOR SAFE OPERATION** and instructions before operating. Failure to follow the safety rules and other basic safety precautions may result in serious personal injury.

**Item #334842**

# Philips Log Splitter User Manual

**Scott C. Dulebohn**



Philips Log Splitter User Manual
<i>Instructions for Building Your Log Splitter</i> Anthony T. Bassaro,1976
<b>Operator's Manuals, Log Splitter</b> Ford Motor Company,Troy (Mich.),
<i>Philips Dual Band Mobile Phone Savvy</i> Philips Communication Systems (Firm : Hilversum, Netherlands),1999 User guide for the Philips dual band mobile phone savvy
<b>BYTELAN Video Splitter : User's Manual</b> Protec Microsystems Inc,1997
<b>The Cottager's Handbook</b> R. A. J. (Robert Arthur John) Phillips,1987
<i>User Manual for Philips DVD Player</i> ,2005
<u>Popular Science</u> ,1978-02 Popular Science gives our readers the information and tools to improve their technology and their world The core belief that Popular Science and our readers share The future is going to be better and science and technology are the driving forces that will help make it better
<u>Service Instructions, Manual</u> Philips Medical Systems Nederland,1969
<u>Catalog of Copyright Entries, Fourth Series</u> Library of Congress. Copyright Office,1978
<u>Popular Science</u> ,1980-10 Popular Science gives our readers the information and tools to improve their technology and their world The core belief that Popular Science and our readers share The future is going to be better and science and technology are the driving forces that will help make it better
<i>Popular Science</i> ,1976-08 Popular Science gives our readers the information and tools to improve their technology and their world The core belief that Popular Science and our readers share The future is going to be better and science and technology are the driving forces that will help make it better
<u>Popular Mechanics</u> ,1981-07 Popular Mechanics inspires instructs and influences readers to help them master the modern world Whether it s practical DIY home improvement tips gadgets and digital technology information on the newest cars or the latest breakthroughs in science PM is the ultimate guide to our high tech lifestyle
<i>School Shop</i> ,1985
<i>The Coding Manual for Qualitative Researchers</i> Johnny Saldana,2009-02-19 The Coding Manual for Qualitative Researchers is unique in providing in one volume an in depth guide to each of the multiple approaches available for coding qualitative data In total 29 different approaches to coding are covered ranging in complexity from beginner to advanced level and covering the full range of types of qualitative data from interview transcripts to field notes For each approach profiled Johnny Salda a discusses the method s origins in the professional literature a description of the method recommendations for practical applications and a clearly illustrated example
<i>Products Liability Cases and Materials</i> Dix W. Noel,Jerry J. Phillips,1976

Dead Man Talking... and talking... and talking Philip Sorgen,2014-08-20 Philip Sorgen is not really dead it s just that since he received his poetic license he has been dying to use it Philip has been an actuarial trainee at Metropolitan Life Insurance Company a Sp4 in the U S Army reserve and then for thirty four rewarding years a mathematics teacher at Great Neck North High School He plays the piano by ear composes music with a pencil and has tennis elbow which is a lot less severe than tennis balls He is the husband of one a father of two and a grandfather of three This is the story of his life Back cover

Official Gazette of the United States Patent and Trademark Office ,1983

Official Gazette of the United States Patent and Trademark Office United States. Patent and Trademark Office,2000

**Popular Science** ,1992-02 Popular Science gives our readers the information and tools to improve their technology and their world The core belief that Popular Science and our readers share The future is going to be better and science and technology are the driving forces that will help make it better

**Arbor Age** ,1981

This is likewise one of the factors by obtaining the soft documents of this **Philips Log Splitter User Manual** by online. You might not require more era to spend to go to the books opening as skillfully as search for them. In some cases, you likewise attain not discover the broadcast Philips Log Splitter User Manual that you are looking for. It will definitely squander the time.

However below, with you visit this web page, it will be appropriately no question simple to get as skillfully as download guide Philips Log Splitter User Manual

It will not believe many epoch as we tell before. You can get it even if fake something else at home and even in your workplace. for that reason easy! So, are you question? Just exercise just what we manage to pay for under as skillfully as evaluation **Philips Log Splitter User Manual** what you considering to read!

<https://offsite.creighton.edu/results/detail/fetch.php/giovanni%20da%20verrazzano%20route%20map.pdf>

[https://offsite.creighton.edu/results/detail/fetch.php/Gaspard\\_Et\\_Lisa.pdf](https://offsite.creighton.edu/results/detail/fetch.php/Gaspard_Et_Lisa.pdf)

<https://offsite.creighton.edu/results/detail/fetch.php/Genghis%20Khan%20Kids.pdf>

## **Table of Contents Philips Log Splitter User Manual**

1. Understanding the eBook Philips Log Splitter User Manual
  - The Rise of Digital Reading Philips Log Splitter User Manual
  - Advantages of eBooks Over Traditional Books
2. Identifying Philips Log Splitter User Manual
  - Exploring Different Genres
  - Considering Fiction vs. Non-Fiction
  - Determining Your Reading Goals
3. Choosing the Right eBook Platform
  - Popular eBook Platforms
  - Features to Look for in an Philips Log Splitter User Manual
  - User-Friendly Interface
4. Exploring eBook Recommendations from Philips Log Splitter User Manual

- Personalized Recommendations
- Philips Log Splitter User Manual User Reviews and Ratings
- Philips Log Splitter User Manual and Bestseller Lists
- 5. Accessing Philips Log Splitter User Manual Free and Paid eBooks
  - Philips Log Splitter User Manual Public Domain eBooks
  - Philips Log Splitter User Manual eBook Subscription Services
  - Philips Log Splitter User Manual Budget-Friendly Options
- 6. Navigating Philips Log Splitter User Manual eBook Formats
  - ePub, PDF, MOBI, and More
  - Philips Log Splitter User Manual Compatibility with Devices
  - Philips Log Splitter User Manual Enhanced eBook Features
- 7. Enhancing Your Reading Experience
  - Adjustable Fonts and Text Sizes of Philips Log Splitter User Manual
  - Highlighting and Note-Taking Philips Log Splitter User Manual
  - Interactive Elements Philips Log Splitter User Manual
- 8. Staying Engaged with Philips Log Splitter User Manual
  - Joining Online Reading Communities
  - Participating in Virtual Book Clubs
  - Following Authors and Publishers Philips Log Splitter User Manual
- 9. Balancing eBooks and Physical Books Philips Log Splitter User Manual
  - Benefits of a Digital Library
  - Creating a Diverse Reading Collection Philips Log Splitter User Manual
- 10. Overcoming Reading Challenges
  - Dealing with Digital Eye Strain
  - Minimizing Distractions
  - Managing Screen Time
- 11. Cultivating a Reading Routine Philips Log Splitter User Manual
  - Setting Reading Goals Philips Log Splitter User Manual
  - Carving Out Dedicated Reading Time
- 12. Sourcing Reliable Information of Philips Log Splitter User Manual

- Fact-Checking eBook Content of Philips Log Splitter User Manual
  - Distinguishing Credible Sources
13. Promoting Lifelong Learning
- Utilizing eBooks for Skill Development
  - Exploring Educational eBooks
14. Embracing eBook Trends
- Integration of Multimedia Elements
  - Interactive and Gamified eBooks

### **Philips Log Splitter User Manual Introduction**

In today's digital age, the availability of Philips Log Splitter User Manual books and manuals for download has revolutionized the way we access information. Gone are the days of physically flipping through pages and carrying heavy textbooks or manuals. With just a few clicks, we can now access a wealth of knowledge from the comfort of our own homes or on the go. This article will explore the advantages of Philips Log Splitter User Manual books and manuals for download, along with some popular platforms that offer these resources. One of the significant advantages of Philips Log Splitter User Manual books and manuals for download is the cost-saving aspect. Traditional books and manuals can be costly, especially if you need to purchase several of them for educational or professional purposes. By accessing Philips Log Splitter User Manual versions, you eliminate the need to spend money on physical copies. This not only saves you money but also reduces the environmental impact associated with book production and transportation. Furthermore, Philips Log Splitter User Manual books and manuals for download are incredibly convenient. With just a computer or smartphone and an internet connection, you can access a vast library of resources on any subject imaginable. Whether you're a student looking for textbooks, a professional seeking industry-specific manuals, or someone interested in self-improvement, these digital resources provide an efficient and accessible means of acquiring knowledge. Moreover, PDF books and manuals offer a range of benefits compared to other digital formats. PDF files are designed to retain their formatting regardless of the device used to open them. This ensures that the content appears exactly as intended by the author, with no loss of formatting or missing graphics. Additionally, PDF files can be easily annotated, bookmarked, and searched for specific terms, making them highly practical for studying or referencing. When it comes to accessing Philips Log Splitter User Manual books and manuals, several platforms offer an extensive collection of resources. One such platform is Project Gutenberg, a nonprofit organization that provides over 60,000 free eBooks. These books are primarily in the public domain, meaning they can be freely distributed and downloaded. Project Gutenberg offers a wide range of classic literature, making it an excellent resource for literature

enthusiasts. Another popular platform for Philips Log Splitter User Manual books and manuals is Open Library. Open Library is an initiative of the Internet Archive, a non-profit organization dedicated to digitizing cultural artifacts and making them accessible to the public. Open Library hosts millions of books, including both public domain works and contemporary titles. It also allows users to borrow digital copies of certain books for a limited period, similar to a library lending system.

Additionally, many universities and educational institutions have their own digital libraries that provide free access to PDF books and manuals. These libraries often offer academic texts, research papers, and technical manuals, making them invaluable resources for students and researchers. Some notable examples include MIT OpenCourseWare, which offers free access to course materials from the Massachusetts Institute of Technology, and the Digital Public Library of America, which provides a vast collection of digitized books and historical documents. In conclusion, Philips Log Splitter User Manual books and manuals for download have transformed the way we access information. They provide a cost-effective and convenient means of acquiring knowledge, offering the ability to access a vast library of resources at our fingertips. With platforms like Project Gutenberg, Open Library, and various digital libraries offered by educational institutions, we have access to an ever-expanding collection of books and manuals. Whether for educational, professional, or personal purposes, these digital resources serve as valuable tools for continuous learning and self-improvement. So why not take advantage of the vast world of Philips Log Splitter User Manual books and manuals for download and embark on your journey of knowledge?

### **FAQs About Philips Log Splitter User Manual Books**

1. Where can I buy Philips Log Splitter User Manual books? Bookstores: Physical bookstores like Barnes & Noble, Waterstones, and independent local stores. Online Retailers: Amazon, Book Depository, and various online bookstores offer a wide range of books in physical and digital formats.
2. What are the different book formats available? Hardcover: Sturdy and durable, usually more expensive. Paperback: Cheaper, lighter, and more portable than hardcovers. E-books: Digital books available for e-readers like Kindle or software like Apple Books, Kindle, and Google Play Books.
3. How do I choose a Philips Log Splitter User Manual book to read? Genres: Consider the genre you enjoy (fiction, non-fiction, mystery, sci-fi, etc.). Recommendations: Ask friends, join book clubs, or explore online reviews and recommendations. Author: If you like a particular author, you might enjoy more of their work.
4. How do I take care of Philips Log Splitter User Manual books? Storage: Keep them away from direct sunlight and in a dry environment. Handling: Avoid folding pages, use bookmarks, and handle them with clean hands. Cleaning: Gently



- dust the covers and pages occasionally.
5. Can I borrow books without buying them? Public Libraries: Local libraries offer a wide range of books for borrowing. Book Swaps: Community book exchanges or online platforms where people exchange books.
  6. How can I track my reading progress or manage my book collection? Book Tracking Apps: Goodreads, LibraryThing, and Book Catalogue are popular apps for tracking your reading progress and managing book collections. Spreadsheets: You can create your own spreadsheet to track books read, ratings, and other details.
  7. What are Philips Log Splitter User Manual audiobooks, and where can I find them? Audiobooks: Audio recordings of books, perfect for listening while commuting or multitasking. Platforms: Audible, LibriVox, and Google Play Books offer a wide selection of audiobooks.
  8. How do I support authors or the book industry? Buy Books: Purchase books from authors or independent bookstores. Reviews: Leave reviews on platforms like Goodreads or Amazon. Promotion: Share your favorite books on social media or recommend them to friends.
  9. Are there book clubs or reading communities I can join? Local Clubs: Check for local book clubs in libraries or community centers. Online Communities: Platforms like Goodreads have virtual book clubs and discussion groups.
  10. Can I read Philips Log Splitter User Manual books for free? Public Domain Books: Many classic books are available for free as they're in the public domain. Free E-books: Some websites offer free e-books legally, like Project Gutenberg or Open Library.

## Find Philips Log Splitter User Manual :

[giovanni da verrazzano route map](#)

[gaspard et lisa](#)

**genghis khan kids**

[gary chapman dog](#)

[glossary of prosthodontic terms](#)

[god's sleepest warrior](#)

[geosystems an introduction to physical geography 10th ed](#)

[gary mack sports psychologist](#)

[god of war pit mines](#)

**gm passlock reset**

**geography club book**

glass menagerie play summary

**games for bible study**

godric's throne room

gary soto wife

## **Philips Log Splitter User Manual :**

**canardo tome 1 le chien debout bdfugue** - Jun 01 2022

web tome n 1 album le chien debout date de parution 04 mai 1993 type de récit histoire complète référence 9782203335035 nombre de pages 48 poids 394 g dimensions 30 5 x 23 0 cm langue français editeur casterman collection ligne rouge auteurs benoît sokal scénario dessin couleurs genres thèmes et

*le chien debout une enquête de l inspecteur canardo tome 1* - Jan 08 2023

web une enquête de l inspecteur canardo tome 1 le chien debout benoît sokal j ai lu des milliers de livres avec la livraison chez vous en 1 jour ou en magasin avec 5 de réduction

canardo tome 1 le chien debout copy verify meetcircle - Dec 27 2021

web 2 canardo tome 1 le chien debout 2022 02 17 his name is john blacksad he s a private detective who s seen much evil in the past but never in his long life has he encountered a case as bizarre

canardo une enquête de l inspecteur 1 le chien debout - Jun 13 2023

web jun 4 2003 canardo une enquête de l inspecteur 1 le chien debout ad ad casterman 1981 sokal acheter album créé dans la bedetheque le 04 06 2003 dernière modification le 24 04 2021 à 17 15 par tchouckitchouck

**une enquête de l inspecteur canardo tome 1 le chien debout** - Mar 10 2023

web may 4 1993 canardo est inspecteur de police et boit un coup chez freda lorsqu un chien arrive qui est pris à parti par le caïd du coin qui ne voit pas d un bon oeil revenir l ancien amour de sa maîtresse

sokal canardo 1 le chien debout casterman 1981 eo - Apr 30 2022

web canardo tome 1 le chien debout sokal casterman 1990 tres bon etat eur 5 00 achat immédiat 22d 1h voir détails canardo 23 mort sur le lac sokal casterman 2015 eo tbe eur 25 00 achat immédiat 20d 5h voir détails canardo sokal 1979 pepperland eo tbe eur 15 00 achat immédiat 18d 0h

**casterman canardo tome 1 le chien debout** - Nov 06 2022

web canardo canardo tome 1 le chien debout mise en couleur benoît sokal albums

**canardo tome 1 le chien debout ftp popcake** - Jan 28 2022

web 2 canardo tome 1 le chien debout 2021 02 13 dungeon parade dark horse comics spanning the icy streets of reykjavik the icelandic highlands and cold isolated fjords the

*canardo canardo tome 1 le chien debout fnac* - Feb 09 2023

web résumé fernand est de retour 10 ans qu il était parti il ne va pas être triste son retour au pays faudra peut être quand même leur rafraîchir la mémoire à tous ces veaux en commençant par le bar à fredo contre le mur du poulailler où fernand avait ses habitudes et sa bouteille à lui

**canardo tome 1 le chien debout format pdf** - Aug 03 2022

web obtenez le livre canardo tome 1 le chien debout de benoît sokal au format pdf sur e leclerc

canardo tome 1 le chien debout pdf old vulkk - Mar 30 2022

web canardo tome 1 le chien debout dungeon parade milou idéfix et cie le chien en bd the misadventures of grumpy cat and pokey devil s day freddy lombard 5 f 52 turkish white the wind in the willows canardo tome 1 le chien debout sky hawk le chien debout conquering armies abelard sâti tyler cross black rock syberia 5 is the

*le chien debout canardo canardo 1 ciltli kapak* - Jul 14 2023

web le chien debout canardo canardo 1 sokal benoît amazon com tr kitap Çerez tercihlerinizi seçin Çerez bildirimimizde ayrıntılı şekilde açıklandığı üzere alışveriş yapmanızı sağlamak alışveriş deneyiminizi iyileştirmek ve hizmetlerimizi sunmak için gerekli olan çerezleri ve benzer araçları kullanırız

*l inspecteur canardo tome 1 le chien debout amazon fr* - Apr 11 2023

web noté 5 retrouvez l inspecteur canardo tome 1 le chien debout et des millions de livres en stock sur amazon fr achetez neuf ou d occasion

*casterman le chien debout* - Aug 15 2023

web scénario benoît sokal dessin benoît sokal canardo 1 le chien debout mise en couleur benoît sokal bd ado adultes 12 50 paru le 01 09 1981 genre polar thèmes aventure enquête dans la même série benoît sokal canardo 25 un con en hiver benoît sokal canardo 24 la mort aux yeux verts benoît sokal canardo 23 mort sur le lac

canardo tome 1 benoît sokal policier thriller bdnnet com - Jul 02 2022

web sokal est san conteste un des meilleur dessinateur de bande dessiné polar noir francais et etranger le chien debout est une tres bonne parodie des filmes policier et vous plonge dans un univer glauque et typique de sokal

**canardo tome 1 le chien debout format epub fixed layout** - Sep 04 2022

web apr 3 2023 téléchargez le livre canardo tome 1 le chien debout de benoît sokal en ebook au format epub fixed layout sur vivlio et retrouvez le sur votre liseuse préférée

*canardo tome 1 le chien debout 1981 bdbase* - Dec 07 2022

web canardo tome 1 le chien debout une bande dessinée de benoît sokal paru en 1981 chez casterman dans la collection a suivre

**canardo vol 1 le chien debout format kindle amazon fr** - May 12 2023

web canardo vol 1 le chien debout format kindle de benoît sokal auteur artiste format format kindle 13 évaluations livre 3 sur 19 canardo afficher tous les formats et éditions kindle et comixology 8 99 lire sur n importe quel appareil n a livre 3 sur 19 canardo nombre de pages de l édition imprimée 47 pages langue français pense bêtes

**le chien debout l inspecteur canardo tome 1 1981 tasseur** - Oct 05 2022

web aug 15 2012 j adore suivre les aventures du canard alcoolique dans la basse fosse des animaux alors ça a commencé avec une corneille qui rale sous la pluie suivit explorer

*canardo tome 1 le chien debout pdf ftp bonide* - Feb 26 2022

web 2 canardo tome 1 le chien debout 2019 10 05 forensic pathologist margaret campbell but when campbell vulnerable and still grieving the loss of her father learns that the victims were subjected to live autopsies she knows the case is bigger than her pride the killing room li campbell and mei

**ati comprehensive predictor latest questions and answers** - Apr 13 2022

web ati comprehensive predictor latest questions and answers 2023 2024 exams nursing docsity download exams ati comprehensive predictor latest questions and answers 2023 2024 a t still university of health sciences atsu ati comprehensive predictor latest questions and answers 2023 2024

*2023 ati comprehensive predictor updated version study guide* - Sep 30 2023

web apea predictor exam missed questions and answers 2023 ati comprehensive predictor updated version study guide do not delegate correct answer what you can skip to document university high school books sign in guest useradd your university or school 0impact 0uploads 0upvotes homeask aimy library courses you don t have any courses yet books

**ati rn comprehensive predictor flashcards and study sets quizlet** - May 15 2022

web aclopez13 preview ati rn predictor 1 858 terms

**ati rn comprehensive predictor exam 2023 new studocu** - Jun 27 2023

web microbio lab worksheet 1 who did nafta benefit the most algorithm pals cardiac arrest ppt public limited company registration process power point presentation free to download id 8ee50c owvh m 2 ch3 team homework 1 the postanesthesia care unit pacu nurse transports the inpatient surgical patient to the medical surgicalfloor

**ati comprehensive predictor flashcards and study sets quizlet** - Feb 09 2022

web 316 terms traderskina teacher preview 16 studiers today ati comprehensive predictor 365 terms supernewrn45 preview 10 studiers in 3 days ati comprehensive predictor 244 terms ekinyua401 teacher preview 7 studiers today ati comprehensive

predictor 136 terms 5 1 emilygoerdt preview 7 studiers today  
*ati comprehensive predictor exam new complete - Aug 30 2023*

web ati comprehensive predictor exam questions and answers 2020 complete solution guides 1 a nurse is caring for a client who has severe preeclampsia and is receiving magnesium sulfate intravenously the nurse discontinues the magnesium sulfate after the client displaces toxicity which of the following

**ati comprehensive predictor questions and answers 2023 2024 - Jul 29 2023**

web apr 15 2023 1 other nr 452 ati rn comprehensive exit exam 2020 chamberlain college of nursing 2 exam elaborations ati comprehensive 2020 2021 graded a 249 questions and answers 3 exam elaborations ati rn comprehensive practice q a graded a 2021 2022 4

ati comprehensive predictor 180 questions with answers - Aug 18 2022

web download ati comprehensive predictor 180 questions with answers correct verified latest 2023 and more nursing exams in pdf only on docsity ati comprehensive predictor 180 questions with answers correct verified latest 2023 exit exam 1 a nurse is caring for a client who has given informed consent for ect

**ngn ati rn comprehensive predictor 2019 - Oct 20 2022**

web aug 14 2023 course ngn ati rn comprehensive institution ngn ati rn comprehensive ngn ati rn comprehensive predictor 2019 questions with detailed correct answers a grade preview 4 out of 35 pages report copyright violation also available in package deal 2

*ati comprehensive predictor exam questions and 100 correct answers - Apr 25 2023*

web oct 24 2023 ati comprehensive predictor exam 2019 c ati nclex predictor 180 questions and correct answers 4 ati comprehensive predictor exam 2019 b ati nclex predictor 180 questions and correct answers

*ati comprehensive predictor 45 versions questions with answers - Jan 23 2023*

web ati comprehensive predictor exam latest 20 versions 3500 verified q a last document update ago ati comprehensive predictor exam semi latest 20 versions semi 3500 verified q a

*technical manual for the rn comprehensive predictor 2019 ati - Sep 18 2022*

web the rn comprehensive predictor is meant to mirror the nclex rn to the greatest extent possible and as such the comprehensive predictor s test specifications are directly based on those of the nclex rn see table 2 the nclex rn 2019 detailed test plan ncsbn 2019 is based on the results of a nationwide

**ati comprehensive predictor exam test bank latest 2023 - Jun 15 2022**

web mar 10 2023 preview 3 out of 26 pages generating your document report copyright violation available in 6 bundle ati comprehensive predictor exam bundle latest 2023 verified and 100 correct answers 52 45 16 x sold 5 items bundle contains 5

documents 1 ati comprehensive predictor exam test bank latest 2023 verified

[ngn ati rn comprehensive 2023 ati comprehensive predictor](#) - Mar 25 2023

web may 10 2023 ngn ati rn comprehensive 2023 ati comprehensive predictor version 1 complete 150 questions and

answers latest 2023 2024 new ngn ati rn comprehensive 2023 ati comprehensive predictor v written for

[ati pn comprehensive predictor exam 2 studocu](#) - Feb 21 2023

web docmerit doc show ati pn comprehensive predictor exam 14 versions latest 100 correct ati rn comprehensive exit exam

14 latest version 2021 rn comprehensive exit ati exam rn comprehensive ati exit exam a best document for exam stuvia doc

1097236 ati rn comprehensive exit exam 14

[ati rn comprehensive predictor 2019 flashcards and study sets quizlet](#) - Mar 13 2022

web githinjilewis86 teacher preview 26 studiers today ati comprehensive predictor 316 terms 5 1 traderskina teacher

preview ati comprehensive practice b ati comprehensive final quiz rn comprehensive predictor 2019

**ati rn comprehensive predictor 2023 form a and b studocu** - Nov 20 2022

web academic year 2022 2023 comments please sign in or register to post comments preview text ati rn comprehensive

predictor form a questions and answers with rationales where applicable 1 a nurse in a pediatric unit is preparing to insert

an iv catheter for 7 year old which of the following actions should the nurse take

[ati comprehensive predictor version 1 complete](#) - Jul 17 2022

web aug 28 2023 1 ati comprehensive predictor exam versions 1 4 2023 update 2 ati comprehensive predictor version 1

complete 150 questions and answers latest 2023 2024 3 ati comprehensive questions and answers july 2023 4 ati pn

comprehensive predictor 2023 real exam 180 questions and

[pn comprehensive predictor 2023 with ngn flashcards](#) - May 27 2023

web 1 180 created by mamimichi ati sg terms in this set 180 an assistive personnel tells the charge nurse that her

assignment is too demanding she angrily tells the nurse to reassign one of her tasks to another ap which of the following

actions should the nurse take to resolve the conflict ask the ap to discuss the issue in a private area

[comprehensive predictor 2019 a nursing d n3 studocu](#) - Dec 22 2022

web comprehensive a med surge nursing questions with answers unidades de estudio libros de texto preguntas ati

comprehensive predictor 2019 usuarios estudiaron skip to document university

[une histoire de la musique contemporaine radio france](#) - Jan 11 2023

une histoire de la musique contemporaine par thomas vergracht en route pour la création la musique contemporaine est

aventure avec ses turbulences ses faits d armes ses prises de becs ses bravades et ses moments de gloire en partenariat avec

la maison de la musique contemporaine 20 épisodes en savoir plus écouter suivre Épisodes

*repères musique histoire des arts culture* - Oct 08 2022

statuette d homme jouant de l aulos 6ème siècle avec j c metropolitan muséum of art on trouve chez pindare poète et musicien trace des différents formes de poésie mises en musique odes hymnes ainsi que des instruments utilisés lyre aulos outre la voix

*les grandes époques de l histoire de la musique accordissimo* - Jun 16 2023

pour la première fois dans l histoire la musique se tourne non plus exclusivement vers dieu mais raconte les passions humaines et les turpitudes de l existence cette époque s achève symboliquement en 1750 année de la mort du grand johann sebastian bach

**une histoire vivante de la musique historia fr** - Aug 06 2022

du psaume à pierre boulez mélanie lévy thiébaud chef d orchestre et directrice musicale entreprend une grande fresque de l histoire musicale de l occident une histoire chronologique mais des modes d écriture variés et vivants

*musicologie et histoire de la musique b epfl* - Jun 04 2022

résumé retracer l histoire des genres et des styles musicaux pratiqués au 20e siècle dans le domaine de la musique savante comprendre et analyser les différents langages et courants d idées connaître les œuvres majeures du répertoire classique du 20e siècle ainsi que les principaux textes théoriques

*petite histoire de la musique classique le guide du classique* - Aug 18 2023

apr 15 2012 les grandes périodes de l histoire de la musique le moyen Âge 1400 la renaissance 1400 1600 l époque baroque 1600 1750 l époque classique 1750 1800 après c est un peu plus compliqué on parle souvent de période romantique pour le 19e siècle mais comme il n y a plus d unité de style on utilisera les divisions suivantes le 19e siècle

**l histoire de la musique lhistoire fr** - May 15 2023

daté décembre 1978 l essayiste anglais walter pater affirme que tous les arts aspirent à la musique ce qui revient à dire qu elle les résume et les accomplit la musique en effet transfigure nos sentiments et nos passions ainsi que les idées que nous nous formons du temps et du mouvement

*musique wikipedia* - Jul 17 2023

les cultures occidentales ont privilégié l authenticité et inscrit la musique dans une histoire qui la relie par l écriture à la mémoire du passé les musiques d afrique font plus appel à l imaginaire au mythe à la magie et relie cette puissance spirituelle à une corporalité de la musique l auditeur participe

[histoire de la musique 237 livres babelio](#) - Dec 10 2022

découvrez sur babelio com livres et les auteurs sur le thème histoire de la musique tout l opéra de monteverdi à nos jours de gustav kobbé musiques une encyclopédie pour le xxième siècle volume 1 musiques du xxème siècle de jean jacques nattiez

mystérieux mozart de philippe sollers passages de la renaissance au baroque 1cd audio de  
[une histoire vivante de la musique éditions flammarion](#) - Sep 07 2022

feb 2 2022 une histoire vivante de la musique présentation du livre de mélanie levy thiébaud publié aux éditions flammarion  
comment écrire une histoire de la musique qui soit sérieuse tout en étant drôle complète sans être encyclopédique accessible  
aux néophytes comme aux mélomanes plus avertis

**histoire de la musique classique musique classique livre bd** - Mar 01 2022

oct 11 2023 après le succès de son histoire de la modernité sonore jonathan Sterne nous propose une histoire culturelle du  
mp3 ce format numérique à la fois banal et omniprésent depuis le début des années 2000

**histoire de la musique capsule pédagogique les périodes de l** - Nov 09 2022

may 20 2020 16k views 3 years ago histoire de la musique introduction à l histoire de la musique capsule pédagogique oci  
music introduction aux grandes périodes de l histoire de la musique support

**l histoire de la musique udemy** - May 03 2022

ce que vous apprendrez se repérer dans l histoire de la musique situer les grands courants musicaux les grands compositeurs  
et leurs chefs d œuvre percer les secrets de la conception musicale d une époque d un style d un genre d un compositeur d  
une œuvre mener une analyse musicale simple

**aux origines d une discipline historique la musique et son histoire** - Apr 14 2023

william weber sur le concept de musique ancienne<sup>12</sup> enrichissent le tableau de l histoire de la musicologie et des attitudes  
face au passé musical 4 la présente thèse se voudrait une contribution à l histoire de la discipline que nous pratiquons les  
enseignements de la bibliographie ont orienté la méthodologie vers des

**l histoire de la musique en france depuis 1945 openedition** - Apr 02 2022

l histoire de la musique en france depuis 1945 l histoire de la musique a connu en france un développement considérable  
après 1945 cette aventure s est construite sur un paradoxe un relatif affaiblissement intellectuel allant de pair avec une  
indéniable fortune institutionnelle concurrencée par l analyse musicale dans les

[petite histoire de la grande musique lumni](#) - Jul 05 2022

dec 20 2022 louis xiv un règne en musique sous l influence de louis xiv la musique orchestrale se développe dans toute l  
europe au xvii e le roi français est le plus puissant souverain d europe dans son château de versailles le roi soleil vit dans le  
luxé et la musique accompagne toutes ses activités

[histoire de la musique wikilivres wikibooks](#) - Mar 13 2023

la musique existe depuis très longtemps depuis la préhistoire chants battements de mains choc de pierres ou de bois mais l  
histoire de la musique connue ne commence réellement qu à partir de la naissance de la notation de la musique début du



solfège au moyen Âge en europe musique occidentale

*une brève histoire de la musique française nadaalmadina* - Jan 31 2022

may 17 2023 une brève histoire de la musique française la musique française a une histoire riche et variée qui remonte à des siècles de la musique baroque à la musique contemporaine la france a toujours été un centre de la musique européenne produisant certains des plus grands compositeurs et interprètes du monde

chronologie de la musique classique occidentale wikipédia - Feb 12 2023

la musique médiévale est un terme général pour désigner une période couvrant à peu près 800 ans de l histoire de la musique occidentale religieuse et profane et commençant avec les premières musiques chrétiennes d avant la réforme grégorienne jusqu aux musiques de la fin du xive siècle

histoire de la musique wikipédia - Sep 19 2023

l histoire de la musique est l étude de l évolution de tous les types de musiques de toutes les régions du monde origine de la musique musiciennes égyptiennes la musique existe depuis les temps les plus reculés et il est difficile de dater même approximativement son origine