

CONCEPTUAL *Physics* PRACTICE PAGE

Chapter 15 Temperature, Heat, and Expansion *Measuring Temperatures*

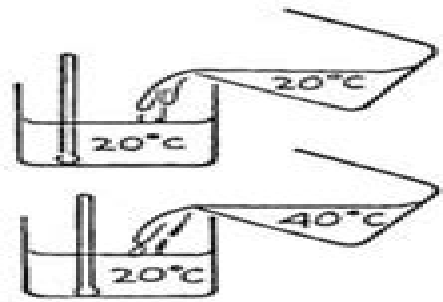
1. Complete the table:

	TEMPERATURE OF MELTING ICE	°C	32°F	K
	TEMPERATURE OF BOILING WATER	°C	212°F	K

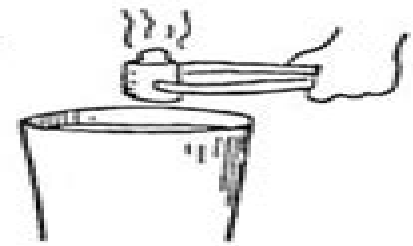
2. Suppose you apply a flame and heat one liter of water, raising its temperature 10°C. If you transfer the same heat energy to two liters, how much will the temperature rise? For three liters? Record your answers on the blanks in the drawing at the right.



3. A thermometer is in a container half-filled with 20°C water.
- When an equal volume of 20°C water is added, the temperature of the mixture is
(10°C) (20°C) (40°C)
 - When instead an equal volume of 40°C water is added, the temperature of the mixture will be
(20°C) (30°C) (40°C)
 - When instead a small amount of 40°C water is added, the temperature of the mixture will be
(20°C) (between 20°C and 30°C) (30°C) (more than 30°C)



4. A red-hot piece of iron is put into a bucket of cool water. Mark the following statements true (T) or false (F). (Ignore heat transfer to the bucket.)
- The decrease in iron temperature equals the increase in the water temperature. _____
 - The quantity of heat lost by the iron equals the quantity of heat gained by the water. _____
 - The iron and water both will reach the same temperature. _____
 - The final temperature of the iron and water is halfway between the initial temperatures of each. _____



Chapter 16 Pearson Thermal Energy And Heat Unit Test

Randall Dewey Knight



Chapter 16 Pearson Thermal Energy And Heat Unit Test

Prentice Hall Physical Science Concepts in Action Program Planner National Chemistry Physics Earth Science, 2003-11 Prentice Hall Physical Science Concepts in Action helps students make the important connection between the science they read and what they experience every day Relevant content lively explorations and a wealth of hands on activities take students understanding of science beyond the page and into the world around them Now includes even more technology tools and activities to support differentiated instruction *Matter and Energy*, 2005 This book offers a set of transparencies that will make planning and teaching each chapter easier The set includes 3 Minute Warm ups Notetaking Transparencies Chapter Outlines Big Idea Flow Charts and Chapter Teaching Visuals Publisher s website [Edexcel International GCSE \(9-1\) Biology Student Book \(Edexcel International GCSE \(9-1\)\)](#) Jackie Clegg, Sue Kearsey, Gareth Price, Mike Smith, 2021-11-12 Exam Board Edexcel Level Subject International GCSE Biology and Double Award Science First teaching September 2017 First exams June 2019 [Geothermal Energy Update](#), 1980-06 [Heat transfer](#) Yunus Ali Cengel, 2003 **Social Science Research** Anol Bhattacharjee, 2012-04-01 This book is designed to introduce doctoral and graduate students to the process of conducting scientific research in the social sciences business education public health and related disciplines It is a one stop comprehensive and compact source for foundational concepts in behavioral research and can serve as a stand alone text or as a supplement to research readings in any doctoral seminar or research methods class This book is currently used as a research text at universities on six continents and will shortly be available in nine different languages **Edexcel GCSE (9-1) Physics Student Book** Mark Levesley, Penny Johnson, 2016-06-01 Series Editor Mark Levesley Pearson s resources are designed to be simple inclusive and inspiring and to support students in studying for Edexcel GCSE 9 1 Physics [Edexcel IGCSE Physics](#) Brian Arnold, 2009 Written specifically for Edexcel s new IGCSE Physics from 2009 qualification in a clear and engaging style that students will find easy to understand This book includes a wide range of activities and exercises for self study as well as examination style questions and summaries to aid revision Publisher s description *Pearson Physics Queensland 11 Skills and Assessment Book* Doug Bail, 2018-09-14 Introducing the Pearson Physics Queensland 11 Skills and Assessment Book Fully aligned to the new QCE 2019 Syllabus Write in Skills and Assessment Book written to support teaching and learning across all requirements of the new Syllabus providing practice application and consolidation of learning Opportunities to apply and practice performing calculations and using algorithms are integrated throughout worksheets practical activities and question sets All activities are mapped from the Student Book at the recommend point of engagement in the teaching program making integration of practice and rich learning activities a seamless inclusion Developed by highly experienced and expert author teams with lead Queensland specialists who have a working understand what teachers are looking for to support working with a new syllabus **Nuclear Safety**, 1977-05 *ICEASD&ICCOSED*

2019 Robbi Rahim, Ismail Suardi Wekke, Ramadhan Tosepu, Marhamah Nadir, 2019-09-09 The International Conference on Environmental Awareness for Sustainable Development ICEASD 2019 aims at discussing areas where problems and potential risks regarding environmental sustainability. Human Security factors play different roles in relationship to environmental sustainability and this conference will highlight the role of these factors. The conference is held in Kendari, Indonesia, and it provides an opportunity for researchers to communicate how to highlight and bring attention to these issues such as in education through various interdisciplinary courses. This conference invites specialists in environmental issues, researchers, academicians, policy makers, innovators, and practitioners from around the world to participate in ICEASD 2019. The International Conference on Challenges and Opportunities of Sustainable Environmental Development ICCOSED publishes papers and special issues on specific topics of interest to international audiences of environmental researchers. This conference is held by Universitas Prof. Dr. Moestopo Beragama and Majelis Sinergi Kalam Ikatani Cendekiawan Muslim Se Indonesia (MASIKA) ICM. The conference publishes original research from throughout the world dealing with education, social sciences, and environmental science. The editorial team makes every effort to cut the review and when necessary revision time periods as short as possible in order to help the research community publish and disseminate their works quickly. These efforts, however, depend heavily on authors' compliance with ethical rules and the journal's guidelines before submitting their works. Also, the voluntary reviewers from around the world with expertise in specific fields devote their precious time in order to provide quality feedback to authors. Yet their time dedicated to improve the authors' articles is not unlimited. Often they appropriate from their personal times to do this voluntary work.

Commerce Business Daily, 1998-07 **Principles & Practice of Physics** Eric Mazur, 2014-04-02 **ALERT** Before you purchase, check with your instructor or review your course syllabus to ensure that you select the correct ISBN. Several versions of Pearson's MyLab check with the seller before completing your purchase. Used or rental books: If you rent or purchase a used book with an access code, the access code may have been redeemed previously and you may have to purchase a new access code. Access codes: Access codes that are purchased from sellers other than Pearson carry a higher risk of being either the wrong ISBN or a previously redeemed code. Check with the seller prior to purchase. Putting physics first: Based on his storied research and teaching, Eric Mazur's *Principles Practice of Physics* builds an understanding of physics that is both thorough and accessible. Unique organization and pedagogy allow you to develop a true conceptual understanding of physics alongside the quantitative skills needed in the course. New learning architecture: The book is structured to help you learn physics in an organized way that encourages comprehension and reduces distraction. Physics on a contemporary foundation: Traditional texts delay the introduction of ideas that we now see as unifying and foundational. This text builds physics on those unifying foundations, helping you to develop an understanding that is stronger, deeper, and fundamentally simpler. Research-based instruction: This text uses a range of research-based instructional techniques to teach physics in the most effective manner possible. The result is a

groundbreaking book that puts physics first thereby making it more accessible to you to learn MasteringPhysics works with the text to create a learning program that enables you to learn both in and out of the classroom The result is a groundbreaking book that puts physics first thereby making it more accessible to students and easier for instructors to teach Note If you are purchasing the standalone text or electronic version MasteringPhysics does not come automatically packaged with the text To purchase MasteringPhysics please visit www.masteringphysics.com or you can purchase a package of the physical text MasteringPhysics by searching the Pearson Higher Education website MasteringPhysics is not a self paced technology and should only be purchased when required by an instructor

College Physics for AP® Courses Irna Lyublinskaya, Douglas Ingram, Gregg Wolfe, Roger Hinrichs, Kim Dirks, Liza Pujji, Manjula Devi Sharma, Sudhi Oberoi, Nathan Czuba, Julie Kretchman, John Stoke, David Anderson, Erika Gasper, 2015-07-31 This introductory algebra based two semester college physics book is grounded with real world examples illustrations and explanations to help students grasp key fundamental physics concepts This online fully editable and customizable title includes learning objectives concept questions links to labs and simulations and ample practice opportunities to solve traditional physics application problems Website of book

Young Scientist Series ICSE Chemistry 8 Lorraine Mirza, Krishnakali Gupta, The Engineer, 1892 The Journal of the Engineering Institute of Canada Engineering Institute of Canada, 1923 **ASTM Bulletin**, 1943 **Sif Physics NI Tb 2e**, 2007 **Physics for Scientists and Engineers** Randall Dewey Knight, 2007

qcc math 10 final exam ws 1 ps2pdf - Jul 25 2022

web qcc math 10 final exam 1 qcc math 10 final exam haps exam prep human anatomy and physiology study guide with practice test questions 2nd edition the college

sample practice final exam mat 095 beginning algebra name - Jul 05 2023

web testname mat 095 practice final exam new 1 c objective 1 6 evaluate expressions using real numbers 2 a objective 1 6 evaluate expressions using real

qcc math 10 final exam jetpack theaoi - Dec 30 2022

web qcc math 10 final exam foundations of mathematics and pre calculus grade 10 final exam review january 2011 mat 090 basic mathematics all students are required to

qecc - Dec 18 2021

web qecc november 3 2023 qecc pre winter league 2023 qecc summer league 2023

about final exams İstanbul okan Üniversitesi - Apr 21 2022

web may 18 2023 as of may 22 2023 final exams of applied courses will be held face to face and exams for other courses will be held online final exams which will take place on

[qcc math 10 final exam uniport edu](#) - Jun 04 2023

web sep 23 2023 plan to download and install the qcc math 10 final exam it is definitely easy then back currently we extend the join to buy and make bargains to download and install

sample final exam mat 090 basic math quinsigamond - Jan 31 2023

web sample final exam mat 090 basic math name multiple choice choose the one alternative that best completes the statement or answers the question round the

[final exam schedules fall semester 2022 2023 sis itu edu tr](#) - Mar 01 2023

web final exam schedules fall semester 2022 2023 select course code aar adm afy akm ant ata bbl ben bgk bil bio blg blu bpl btt bus bva bvt bym cab cbm

qcc math 10 final exam pdf uniport edu - Aug 26 2022

web jun 11 2023 you may not be perplexed to enjoy every ebook collections qcc math 10 final exam that we will completely offer it is not roughly the costs its practically what

qcc math 10 final exam full pdf cyberlab sutd edu sg - Nov 16 2021

web qcc math 10 final exam previous solved papers 2023 24 rrb jun 08 2021 2023 24 rrb alp previous solved papers blended learning concepts methodologies tools

downloadable free pdfs qcc math 10 final exam - Oct 28 2022

web the educart term 1 final revision book for class 10 is the ultimate practice solution of all the major subjects science mathematics social science english hindi a and hindi b

[qcc math 10 final exam pdf copy](#) - Sep 26 2022

web jun 15 2023 download solutions qcc math 10 final exam web qcc math 10 final exam midterm and final review ms diner science 10 google sites dec 08 2021 web practice

10th maths quarterly exam question paper 2022 2023 - Apr 02 2023

web 10th maths quarterly model question paper english medium download here 10th maths quarterly model question paper english medium download here sri krishna

[qcc math 10 final exam pdf uniport edu](#) - Aug 06 2023

web jun 16 2023 math 10 final exam below service learning at the american community college a traver 2014 10 17 this volume brings together a breadth of new research on

[students qatar university](#) - Feb 17 2022

web 17 nov challenge 8 2023 09 00 am to 04 00 pm the challenge of eight is a physical fitness challenge that involves exercises and activities a 07 dec qatar university

qcc math 10 final exam git 02 infra openwrt org - Mar 21 2022

web qbcc practice final exam 2 pdf cuny qcc math 10 spring 2015 question 1 sample c youtube june 18th 2018 unsubscribe from math qcc cancel unsubscribe working

final exams schedules qatar university - Jan 19 2022

web the schedules section will send colleges the dates times and rooms of their final exams two weeks after the beginning of classes based on table 1 below common final exam

about the conduct of 2022 2023 academic year - Nov 28 2022

web final exams of all graduate courses will be held online between may 29 and june 10 2023 final exams of undergraduate courses will be scheduled and implemented as follows

qcc math 10 final exam lms duhs edu - Jun 23 2022

web jun 9 2023 collections qcc math 10 final exam that we will certainly offer final exam schedule queensborough community college ma 10 elementary algebra

calculus ii math 102 a b sabanc university fall 2021 22 - May 23 2022

web during the exams the use of books notes electronic devices including cell phones smart watches calculators computers etc or any other kind of supporting learning material

qcc ma10 final review queensborough community college - Oct 08 2023

web qcc ma10 final back to the math and cs sample c pdf sample d pdf sample e pdf ma10 ceafe test

exam and final 23s ma119 - Sep 07 2023

web in person exam and final bring your qcc id to take exam and final exam there is no make up exam policy unless you have an official document to be excused all exams

math 10c final review moodlehub - May 03 2023

web math 10c assignment final review math 10c final review exponents and radicals practice 1 what is the value of each expression a 4 b 16 c 144 2 evaluate each of

android programming the big nerd ranch guide - Sep 13 2022

web apr 1 2013 android programming the big nerd ranch guide big nerd ranch it s been two years coming but the first edition of android programming the big nerd ranch guide is finally almost here brian and i got our hands on the first printed copies only a few days ago we were indecently excited nobody wet themselves but it was a near thing

android programming the big nerd ranch guide pearson - Apr 20 2023

web computer science programming introductory android programming android programming the big nerd ranch guide i m a student i m an educator android programming the big nerd ranch guide 5th edition published by addison wesley professional

may 30 2022 2022 kristin marsicano

android programming the big nerd ranch guide third edition - Feb 18 2023

web android programming the big nerd ranch guide is an introductory android book for programmers with java experience based on big nerd ranch s popular android bootcamps this guide will lead you through the wilderness using hands on example apps combined with clear explanations of key concepts and apis

android programming the big nerd ranch guide 5th edition - May 09 2022

web may 18 2022 android programming the big nerd ranch guide is an introductory android book for programmers with kotlin experience based on big nerd ranch s popular android bootcamp this guide will lead you through the wilderness using hands on example apps combined with clear explanations of key concepts and apis

swift programming the big nerd ranch guide big nerd ranch guides - Apr 08 2022

web dec 15 2015 computers technology programming buy new 7 90 list price 39 99 save 32 09 80 3 99 delivery november 1 2 details select delivery location only 2 left in stock order soon qty 1 buy now payment secure transaction ships from greenicemedia sold by greenicemedia returns

android programming the big nerd ranch guide 4th edition - Feb 06 2022

web android programming the big nerd ranch guide is an introductory android book for programmers with java experience based on big nerd ranch s popular android bootcamp this guide will

now available react programming the big nerd ranch guide - Mar 07 2022

web may 2 2023 now available react programming the big nerd ranch guide big nerd ranch based on our react essentials course this book uses hands on examples to guide you step by step through building a starter app and a complete production ready app both crafted to help you quickly leverage react s remarkable power

android programming the big nerd ranch guide 5th edition - Jul 23 2023

web android programming the big nerd ranch guide is an introductory android book for programmers with kotlin experience based on big nerd ranch s popular android bootcamp this guide will lead you through the wilderness using hands on example apps combined with clear explanations of key concepts and apis

swift programming the big nerd ranch guide pearson - May 21 2023

web swift programming the big nerd ranch guide 3rd edition published by big nerd ranch guides january 13 2022 2021 matthew mathias john gallagher mikey ward best value etextbook mo 35 99 pearson subscription mo month term pay monthly or pay instant access isbn 13 9780137570515 swift programming the big nerd

android programming the big nerd ranch guide guide books - Jul 11 2022

web android programming the big nerd ranch guide is an introductory android book for programmers with java experience

based on big nerd ranch's popular android bootcamp course this guide will lead you through the wilderness using hands on example apps combined with clear explanations of key concepts and apis

coming soon android programming the big nerd ranch guide - Nov 15 2022

web apr 20 2022 the last edition of android programming the big nerd ranch guide was released in october 2019 a lot has changed since then to help you develop the skills to create new android apps and maintain existing ones we re excited to announce the fifth edition of our popular guide to android programming

android programming the big nerd ranch guide big nerd ranch guides - Jun 22 2023

web oct 25 2019 android programming the big nerd ranch guide is an introductory android book for programmers with kotlin experience based on big nerd ranch's popular android bootcamp this guide will lead you through the wilderness using hands on example apps combined with clear explanations of key concepts and apis

android programming the big nerd ranch guide amazon com - Jun 10 2022

web aug 3 2015 android programming the big nerd ranch guide is an introductory android book for programmers with java experience based on big nerd ranch's popular android bootcamp course this guide will lead you through the wilderness using hands on example apps combined with clear explanations of key concepts and apis

swift programming the big nerd ranch guide 3rd edition - Mar 19 2023

web write flexible code and functional programming with protocols extensions and generics based on big nerd ranch's popular swift programming language training and its well tested materials and methodology this guide teaches concepts and coding through hands on exercises from experienced swift developers

books big nerd ranch - Sep 25 2023

web if you don't have a lot of programming experience you can begin with swift programming the big nerd ranch guide which introduces swift and basic programming principles once you re comfortable with swift you can move on to our ios guide where you ll learn how to develop ios apps using swift

now available swift programming the big nerd ranch guide - Aug 12 2022

web nov 3 2020 first name the swift programming language has been evolving at a staggering rate since its original announcement over six years ago we are proud to announce the 3rd edition of our swift programming book fully updated for *5th edition amazon com spend less smile more* - Jan 17 2023

web android programming the big nerd ranch guide is an introductory android book for programmers with kotlin experience based on big nerd ranch's popular android bootcamp this guide will lead you through the wilderness using hands on example apps combined with clear explanations of key concepts and apis

kotlin programming the big nerd ranch guide 2nd edition - Dec 16 2022

web i getting started 1 your first kotlin application installing intellij idea your first kotlin project creating your first kotlin file running your kotlin file compilation and execution of kotlin jvm code the kotlin repl for the more curious why use intellij for the more curious targeting the jvm

android programming the big nerd ranch guide 5th edition - Aug 24 2023

web buy now android programming the big nerd ranch guide 5th edition is an introductory android book for programmers with kotlin experience based on big nerd ranch s popular android bootcamp this guide will lead you through the wilderness using hands on example apps combined with clear explanations of key concepts and apis

big nerd ranch book forums - Oct 14 2022

web forum for programming guides written by big nerd ranch big nerd ranch book forums category topics the big nerd ranch guide 9 objective c programming 2nd edition 8 advanced mac os x programming the big nerd ranch 6 big nerd ranch general discussions 252 uncategorized 120 site feedback

milo manara wikipedia - Jul 20 2023

web maurilio manara m ə ' n ɑ: r ə born 12 september 1945 known professionally as milo manara is an italian comic book writer and artist career edit after architecture and painting studies he made his comics debut in 1969 drawing for genius a fumetti neri series of pocket books from publisher furio vanio in the wake of the

milo manara facebook - May 06 2022

web milo manara 483 711 likes 8 297 talking about this milo manara is an italian comic book writer and artist he s one of the most important internation

[milo milo manara](#) - Sep 10 2022

web in occasione della riapertura dello storico palazzo pallavicini di bologna si è tenuta la grande esposizione nel segno di manara antologica di milo manara in mostra più di 140 opere esposte da settembre 2017 a gennaio 2018

[biography milo manara](#) - Mar 16 2023

web milo manara official website italian comic book writer and artist he s one of the most important international erotic authors

milo manara disegni fumetti e opere elle decor - Jul 08 2022

web oct 11 2021 herve bruhatgetty images milo manara nato a luson in provincia di bolzano nel 1945 è uno dei fumettisti italiani più conosciuti e apprezzati al mondo attivo sin dagli anni sessanta ha fatto del desiderio di rappresentare il legame tra il mondo femminile e l eros la sua firma inconfondibile

biografia milo manara - Jan 14 2023

web la storia scritta e sceneggiata da manara uscirà in italia quasi in contemporanea sulla rivista pilot su sceneggiatura di

castelli manara disegna poi l uomo delle nevi per la collana un uomo un avventura edita da cepim oggi sergio bonelli
[milo manara comic online page 1](#) - Mar 04 2022

web milo manara is a renowned italian comic artist and writer known for his erotic and sensual style on this page you can find his works biography and interviews explore the world of manara and discover his amazing stories and art

milo manara wikipédia a enciclopédia livre - Feb 15 2023

web milo manara redução do nome original maurilio manara luson 13 de setembro de 1945 é um desenhista italiano mais conhecido pela vertente erótica da sua obra 1

milo manara official website - Aug 21 2023

web festival del fumetto di lugano milo manara sarà tra gli ospiti speciali del festival del fumetto di lugano exhibitions milo manara comunicare disegnando il magnifico castel dragone baluardo del porto di camogli accoglie milo manara comunicare disegnando auctions di segnali per loro l asta di beneficenza

milo manara wikipédia - Feb 03 2022

web maurillo milo manara né le 12 septembre 1945 à luson 1 dans le trentin haut adige en italie est un auteur italien de bande dessinée érotique biographie quatrième d une famille de six enfants milo manara grandit dans une petite ville italienne proche de la frontière autrichienne

milo manara artnet - Oct 11 2022

web recently added milo manara is an italian artist best known for his erotic comics and illustrations view milo manara s 927 artworks on artnet find an in depth biography exhibitions original artworks for sale the latest news and sold auction prices *the manara library manara milo author illustrator free* - Aug 09 2022

web v 3 manara s collaborations with legendary filmmaker federico fellini take center stage in volume three working from fellini s unproduced screenplays these two masters created the beautiful surreal novellas trip to tulum and the journey of g mastorna the latter of which is published in english for the first time

[biografia di milo manara biografieonline](#) - Apr 05 2022

web sep 12 2007 maurilio manara detto milo nasce a luson bolzano nel 1945 È uno dei più celebri fumetti sti italiani del dopoguerra disegnatore dal tratto raffinato ha saputo creare un mondo onirico popolato di ragazze bellissime e impossibili talmente affascinanti ed eteree da essere totalmente irreali

milo manara wikipedi - Apr 17 2023

web maurilio manara ya da bilinen adıyla milo manara d 12 eylül 1945 lüsen dünyaca ünlü İtalyan çizgi roman sanatçısı *home milo manara* - May 18 2023

web milo manara official website italian comic book writer and artist he s one of the most important international authors

[milo manara wikipedia](#) - Jan 02 2022

web milo manara 2008 milo manara 12 september 1945 in lüsen südtirol eigentlich maurilio manara ist ein comiczeichner der vor allem durch seine erotischen comics realistischen zeichnungen und den markanten präzisen strich bekannt geworden ist

milo manara compie 75 anni il maestro del fumetto erotico italiano foto - Dec 13 2022

web sep 12 2020 leggi su sky tg24 l articolo i 75 anni di milo manara il maestro del fumetto erotico italiano foto famoso in tutto il mondo l artista è nato il 12 settembre del 1945 a luson bolzano

manara opere complete n 16 milo manara free download - Jun 07 2022

web nov 1 1993 manara opere complete n 16 by milo manara publication date 1993 11 01 topics milo manara le avventure di giuseppe bergman fumetto italiano italia fumetto d autore collection

milo manara wikipedia - Jun 19 2023

web maurilio manara detto milo luson 12 settembre 1945 è un fumettista italiano conosciuto in italia e all estero per il fascino sensuale delle sue tavole indice 1 carriera 1 1 le prime collaborazioni 1 2 anni settanta 1 3 anni ottanta 1 4 anni novanta 1 5 anni duemila 1 6 anni duemiladieci 2 manara e fellini 3 opere

milo milo manara - Nov 12 2022

web 01 10 1983 in october 1983 based on texts by hugo pratt manara draws in the corto maltese magazine indian summer considered one of the greatest masterpieces of the two artists and one of the most beautiful works of italian comics comic book written by hugo pratt and focused on the atmosphere of the scarlet letter by nathaniel hawthorne

This book delves into Chapter 16 Pearson Thermal Energy And Heat Unit Test. Chapter 16 Pearson Thermal Energy And Heat Unit Test is an essential topic that needs to be grasped by everyone, ranging from students and scholars to the general public. The book will furnish comprehensive and in-depth insights into Chapter 16 Pearson Thermal Energy And Heat Unit Test, encompassing both the fundamentals and more intricate discussions.

1. The book is structured into several chapters, namely:
 - Chapter 1: Introduction to Chapter 16 Pearson Thermal Energy And Heat Unit Test
 - Chapter 2: Essential Elements of Chapter 16 Pearson Thermal Energy And Heat Unit Test
 - Chapter 3: Chapter 16 Pearson Thermal Energy And Heat Unit Test in Everyday Life
 - Chapter 4: Chapter 16 Pearson Thermal Energy And Heat Unit Test in Specific Contexts
 - Chapter 5: Conclusion
 2. In chapter 1, this book will provide an overview of Chapter 16 Pearson Thermal Energy And Heat Unit Test. This chapter will explore what Chapter 16 Pearson Thermal Energy And Heat Unit Test is, why Chapter 16 Pearson Thermal Energy And Heat Unit Test is vital, and how to effectively learn about Chapter 16 Pearson Thermal Energy And Heat Unit Test.
 3. In chapter 2, the author will delve into the foundational concepts of Chapter 16 Pearson Thermal Energy And Heat Unit Test. This chapter will elucidate the essential principles that must be understood to grasp Chapter 16 Pearson Thermal Energy And Heat Unit Test in its entirety.
 4. In chapter 3, this book will examine the practical applications of Chapter 16 Pearson Thermal Energy And Heat Unit Test in daily life. This chapter will showcase real-world examples of how Chapter 16 Pearson Thermal Energy And Heat Unit Test can be effectively utilized in everyday scenarios.
 5. In chapter 4, the author will scrutinize the relevance of Chapter 16 Pearson Thermal Energy And Heat Unit Test in specific contexts. The fourth chapter will explore how Chapter 16 Pearson Thermal Energy And Heat Unit Test is applied in specialized fields, such as education, business, and technology.
 6. In chapter 5, this book will draw a conclusion about Chapter 16 Pearson Thermal Energy And Heat Unit Test. The final chapter will summarize the key points that have been discussed throughout the book.
- The book is crafted in an easy-to-understand language and is complemented by engaging illustrations. It is highly recommended for anyone seeking to gain a comprehensive understanding of Chapter 16 Pearson Thermal Energy And Heat Unit Test.

https://offsite.creighton.edu/files/virtual-library/Documents/mcgraw_hill_health_textbook_pdf.pdf

https://offsite.creighton.edu/files/virtual-library/Documents/masonic_ritual_and_symbolism.pdf

https://offsite.creighton.edu/files/virtual-library/Documents/master_asl_pdf.pdf

Table of Contents Chapter 16 Pearson Thermal Energy And Heat Unit Test

1. Understanding the eBook Chapter 16 Pearson Thermal Energy And Heat Unit Test
 - The Rise of Digital Reading Chapter 16 Pearson Thermal Energy And Heat Unit Test
 - Advantages of eBooks Over Traditional Books
2. Identifying Chapter 16 Pearson Thermal Energy And Heat Unit Test
 - Exploring Different Genres
 - Considering Fiction vs. Non-Fiction
 - Determining Your Reading Goals
3. Choosing the Right eBook Platform
 - Popular eBook Platforms
 - Features to Look for in an Chapter 16 Pearson Thermal Energy And Heat Unit Test
 - User-Friendly Interface
4. Exploring eBook Recommendations from Chapter 16 Pearson Thermal Energy And Heat Unit Test
 - Personalized Recommendations
 - Chapter 16 Pearson Thermal Energy And Heat Unit Test User Reviews and Ratings
 - Chapter 16 Pearson Thermal Energy And Heat Unit Test and Bestseller Lists
5. Accessing Chapter 16 Pearson Thermal Energy And Heat Unit Test Free and Paid eBooks
 - Chapter 16 Pearson Thermal Energy And Heat Unit Test Public Domain eBooks
 - Chapter 16 Pearson Thermal Energy And Heat Unit Test eBook Subscription Services
 - Chapter 16 Pearson Thermal Energy And Heat Unit Test Budget-Friendly Options
6. Navigating Chapter 16 Pearson Thermal Energy And Heat Unit Test eBook Formats
 - ePub, PDF, MOBI, and More

- Chapter 16 Pearson Thermal Energy And Heat Unit Test Compatibility with Devices
 - Chapter 16 Pearson Thermal Energy And Heat Unit Test Enhanced eBook Features
7. Enhancing Your Reading Experience
 - Adjustable Fonts and Text Sizes of Chapter 16 Pearson Thermal Energy And Heat Unit Test
 - Highlighting and Note-Taking Chapter 16 Pearson Thermal Energy And Heat Unit Test
 - Interactive Elements Chapter 16 Pearson Thermal Energy And Heat Unit Test
 8. Staying Engaged with Chapter 16 Pearson Thermal Energy And Heat Unit Test
 - Joining Online Reading Communities
 - Participating in Virtual Book Clubs
 - Following Authors and Publishers Chapter 16 Pearson Thermal Energy And Heat Unit Test
 9. Balancing eBooks and Physical Books Chapter 16 Pearson Thermal Energy And Heat Unit Test
 - Benefits of a Digital Library
 - Creating a Diverse Reading Collection Chapter 16 Pearson Thermal Energy And Heat Unit Test
 10. Overcoming Reading Challenges
 - Dealing with Digital Eye Strain
 - Minimizing Distractions
 - Managing Screen Time
 11. Cultivating a Reading Routine Chapter 16 Pearson Thermal Energy And Heat Unit Test
 - Setting Reading Goals Chapter 16 Pearson Thermal Energy And Heat Unit Test
 - Carving Out Dedicated Reading Time
 12. Sourcing Reliable Information of Chapter 16 Pearson Thermal Energy And Heat Unit Test
 - Fact-Checking eBook Content of Chapter 16 Pearson Thermal Energy And Heat Unit Test
 - Distinguishing Credible Sources
 13. Promoting Lifelong Learning
 - Utilizing eBooks for Skill Development
 - Exploring Educational eBooks
 14. Embracing eBook Trends
 - Integration of Multimedia Elements
 - Interactive and Gamified eBooks

Chapter 16 Pearson Thermal Energy And Heat Unit Test Introduction

In the digital age, access to information has become easier than ever before. The ability to download Chapter 16 Pearson Thermal Energy And Heat Unit Test has revolutionized the way we consume written content. Whether you are a student looking for course material, an avid reader searching for your next favorite book, or a professional seeking research papers, the option to download Chapter 16 Pearson Thermal Energy And Heat Unit Test has opened up a world of possibilities. Downloading Chapter 16 Pearson Thermal Energy And Heat Unit Test provides numerous advantages over physical copies of books and documents. Firstly, it is incredibly convenient. Gone are the days of carrying around heavy textbooks or bulky folders filled with papers. With the click of a button, you can gain immediate access to valuable resources on any device. This convenience allows for efficient studying, researching, and reading on the go. Moreover, the cost-effective nature of downloading Chapter 16 Pearson Thermal Energy And Heat Unit Test has democratized knowledge. Traditional books and academic journals can be expensive, making it difficult for individuals with limited financial resources to access information. By offering free PDF downloads, publishers and authors are enabling a wider audience to benefit from their work. This inclusivity promotes equal opportunities for learning and personal growth. There are numerous websites and platforms where individuals can download Chapter 16 Pearson Thermal Energy And Heat Unit Test. These websites range from academic databases offering research papers and journals to online libraries with an expansive collection of books from various genres. Many authors and publishers also upload their work to specific websites, granting readers access to their content without any charge. These platforms not only provide access to existing literature but also serve as an excellent platform for undiscovered authors to share their work with the world. However, it is essential to be cautious while downloading Chapter 16 Pearson Thermal Energy And Heat Unit Test. Some websites may offer pirated or illegally obtained copies of copyrighted material. Engaging in such activities not only violates copyright laws but also undermines the efforts of authors, publishers, and researchers. To ensure ethical downloading, it is advisable to utilize reputable websites that prioritize the legal distribution of content. When downloading Chapter 16 Pearson Thermal Energy And Heat Unit Test, users should also consider the potential security risks associated with online platforms. Malicious actors may exploit vulnerabilities in unprotected websites to distribute malware or steal personal information. To protect themselves, individuals should ensure their devices have reliable antivirus software installed and validate the legitimacy of the websites they are downloading from. In conclusion, the ability to download Chapter 16 Pearson Thermal Energy And Heat Unit Test has transformed the way we access information. With the convenience, cost-effectiveness, and accessibility it offers, free PDF downloads have become a popular choice for students, researchers, and book lovers worldwide. However, it is crucial to engage in ethical downloading practices and prioritize personal security when utilizing online platforms. By doing so, individuals can make the most of the vast array of free PDF resources available and embark on a journey of continuous learning and intellectual growth.

FAQs About Chapter 16 Pearson Thermal Energy And Heat Unit Test Books

How do I know which eBook platform is the best for me? Finding the best eBook platform depends on your reading preferences and device compatibility. Research different platforms, read user reviews, and explore their features before making a choice. Are free eBooks of good quality? Yes, many reputable platforms offer high-quality free eBooks, including classics and public domain works. However, make sure to verify the source to ensure the eBook credibility. Can I read eBooks without an eReader? Absolutely! Most eBook platforms offer web-based readers or mobile apps that allow you to read eBooks on your computer, tablet, or smartphone. How do I avoid digital eye strain while reading eBooks? To prevent digital eye strain, take regular breaks, adjust the font size and background color, and ensure proper lighting while reading eBooks. What the advantage of interactive eBooks? Interactive eBooks incorporate multimedia elements, quizzes, and activities, enhancing the reader engagement and providing a more immersive learning experience. Chapter 16 Pearson Thermal Energy And Heat Unit Test is one of the best book in our library for free trial. We provide copy of Chapter 16 Pearson Thermal Energy And Heat Unit Test in digital format, so the resources that you find are reliable. There are also many Ebooks of related with Chapter 16 Pearson Thermal Energy And Heat Unit Test. Where to download Chapter 16 Pearson Thermal Energy And Heat Unit Test online for free? Are you looking for Chapter 16 Pearson Thermal Energy And Heat Unit Test PDF? This is definitely going to save you time and cash in something you should think about.

Find Chapter 16 Pearson Thermal Energy And Heat Unit Test :

~~mcgraw hill health textbook pdf~~

~~masonic ritual and symbolism~~

~~master asl pdf~~

mcats sample questions

~~mcl kinesiology tape~~

~~meat prep pdf~~

~~masterbilt phone number~~

~~mcteague by frank norris~~

~~meditech charting system~~

~~mcgraw hill solutions~~

~~mary jo's hot tamales~~

~~mechanical crane drawing~~

maya angelou short poems

mary cover jones theory

martyn ford game of thrones

Chapter 16 Pearson Thermal Energy And Heat Unit Test :