

GENERAL DIMENSIONS (Fig. 1)

- A.** Overall Height (over Steering Wheel): 1486 mm (58.5 in)
A₁ Overall Height (over Exhaust): 2165 mm (85.2 in)
B. Overall Width: 1851 mm (72.9 in)
C. Overall Length: 3213 mm (126.5 in)
D. Wheelbase (without Spacer): 1892 mm (74.5 in)

Ground Clearance:

- E.** Under Weight Frame (with Weights): 0-305 mm (12 in)
F. Ground Clearance (under Clutch Housing): 0-33 mm (1.3 in)

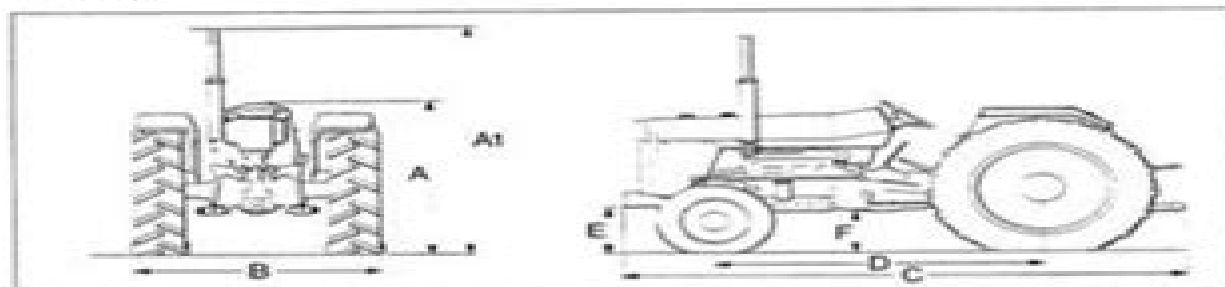
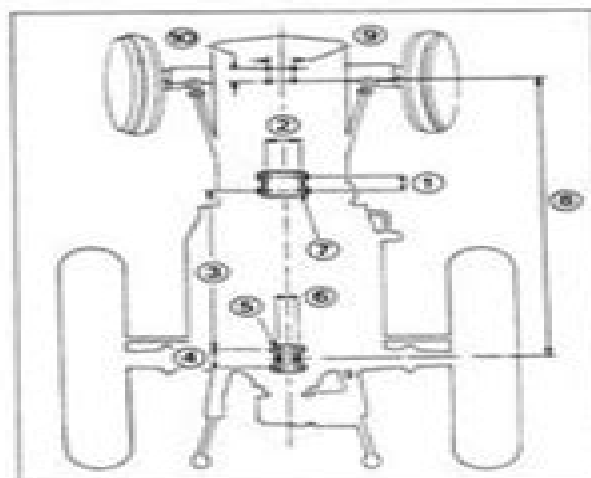
Turning Circle: 6,425 m (21-1 ft) Without Brakes;
 5,857 m (19-25 ft) With Brakes

Weight (with fuel, oil and water): 1650 kg (3642 lb)

Note: The above dimensions are for a tractor fitted with 6-00-16 front tyres and 11-28 rear tyres at 1321 mm (52 in) and 1420 mm (56 in) track settings respectively.

MOUNTING POINTS (Fig. 2)

1. 101.6 mm (4 in)
2. 184 mm (7 1/4 in)
3. 1016 mm (40 1/4 in)
4. 152.4 mm (6 in)
5. 4 holes tap 7/8 in 10 UNC 30 x 28.6 mm (1 1/4 in) deep (blind)
6. 85.7 mm (3 3/8 in)
7. 8 holes tap 7/8 in 11 UNC
8. 1831 mm (72 1/4 in)
9. 152.4 mm (6 in)
10. 114.3 mm (4 1/2 in)

**FIG. 1****FIG. 2**

Massey Ferguson Tractors 240 Repair Manual

Massey-Ferguson (Aust.) Ltd



Massey Ferguson Tractors 240 Repair Manual

Massey Ferguson Shop Manual Models MF230 MF 235 MF240 + Penton Staff,2000-05-24 Gas Models MF230 MF235 MF245 Diesel Models MF230 MF235 MF240 MF245 MF250

Massey Ferguson 35 Tractor Chris Jaworski,2020-03-17 Learn everything you need to know about the Ferguson MF 35 and TO35 With step by step instructions for weekly checks operator maintenance engines cooling and fuel systems transmissions brakes hydraulics and so much more this user friendly restoration service manual details a wide range of topics so you can understand your tractor machinery from the inside out

Massey Ferguson Tractor ,2011

International 240 Tractor Technical Service Repair Shop Manual ,1959-01-15

Parts Book Massey-Ferguson (Aust.) Ltd.),1974

Workshop Manual for Massey-Ferguson Tractors, Models FE-65 and FE-35 Massey-Ferguson (Aust.) Ltd,1962

Massey-Ferguson Shop Manual No. MF-42 ,1988

Massey-Ferguson Shop Manual Intertec Publishing Corporation,1993

Massey Ferguson Shop Manual Model MF285 Penton Staff,2000-05-24 Models MF285

Massey-Ferguson Shop Manual ,1977

Massey-Ferguson Agricultural Tractors Workshop Service Manual Massey-Ferguson Ltd,197?

Massey-Ferguson ,1994

MF 1505 and MF 1805 Tractors Service Manual Massey Ferguson Co,1981

MF 1100 and 1130 Tractors Service Manual Massey Ferguson Co,1981

Massey Ferguson 404 TECHNICAL SERVICE REPAIR SHOP MANUAL ,1959-01-15

Massey-Ferguson Shop Manual Models TO35 TO35 Diesel F40+ Editors of Haynes Manuals,1990-06-01 With a Haynes manual you can do it yourself from simple maintenance to basic repairs Haynes writes every book based on a complete teardown of the vehicle where we learn the best ways to do a job and that makes it quicker easier and cheaper for you Haynes books have clear instructions and hundreds of photographs that show each step Whether you are a beginner or a pro you can save big with a Haynes manual This manual features complete coverage for your Massey Ferguson tractor covering Routine maintenance Tune up procedures Engine repair Cooling and heating Air conditioning Fuel and exhaust Emissions control Ignition brakes Suspension and steering Electrical systems Models covered include Massey Ferguson F40 Massey Ferguson MF202 Massey Ferguson MF204 Massey Ferguson MF35 Massey Ferguson MF35 Diesel Massey Ferguson MF50 Massey Ferguson MH50 Massey Ferguson MHF202 Massey Ferguson TO35 Massey Ferguson TO35 Diesel

200 Series Tractors ,1992

Ferguson tractor service manual Massey-Harris-Ferguson,1955

Massey Ferguson Shop Manual Models MF670 MF690 & MF698 Penton Staff,2000-05-24 Models MF670 MF690 MF698

Massey-Ferguson TE 20 Service Manual Massey-Ferguson,19??

When somebody should go to the book stores, search initiation by shop, shelf by shelf, it is really problematic. This is why we offer the book compilations in this website. It will entirely ease you to see guide **Massey Ferguson Tractors 240 Repair Manual** as you such as.

By searching the title, publisher, or authors of guide you really want, you can discover them rapidly. In the house, workplace, or perhaps in your method can be all best place within net connections. If you ambition to download and install the Massey Ferguson Tractors 240 Repair Manual, it is no question simple then, before currently we extend the associate to purchase and create bargains to download and install Massey Ferguson Tractors 240 Repair Manual appropriately simple!

https://offsite.creighton.edu/public/scholarship/fetch.php/How_To_Pass_The_Real_Estate_Exam_In_Florida.pdf

https://offsite.creighton.edu/public/scholarship/fetch.php/How_To_Study_For_Algebra_1_Eoc.pdf

<https://offsite.creighton.edu/public/scholarship/fetch.php/How%20To%20Study%20For%20Cipp%20Us.pdf>

Table of Contents Massey Ferguson Tractors 240 Repair Manual

1. Understanding the eBook Massey Ferguson Tractors 240 Repair Manual
 - The Rise of Digital Reading Massey Ferguson Tractors 240 Repair Manual
 - Advantages of eBooks Over Traditional Books
2. Identifying Massey Ferguson Tractors 240 Repair Manual
 - Exploring Different Genres
 - Considering Fiction vs. Non-Fiction
 - Determining Your Reading Goals
3. Choosing the Right eBook Platform
 - Popular eBook Platforms
 - Features to Look for in an Massey Ferguson Tractors 240 Repair Manual
 - User-Friendly Interface
4. Exploring eBook Recommendations from Massey Ferguson Tractors 240 Repair Manual
 - Personalized Recommendations
 - Massey Ferguson Tractors 240 Repair Manual User Reviews and Ratings
 - Massey Ferguson Tractors 240 Repair Manual and Bestseller Lists

5. Accessing Massey Ferguson Tractors 240 Repair Manual Free and Paid eBooks
 - Massey Ferguson Tractors 240 Repair Manual Public Domain eBooks
 - Massey Ferguson Tractors 240 Repair Manual eBook Subscription Services
 - Massey Ferguson Tractors 240 Repair Manual Budget-Friendly Options
6. Navigating Massey Ferguson Tractors 240 Repair Manual eBook Formats
 - ePub, PDF, MOBI, and More
 - Massey Ferguson Tractors 240 Repair Manual Compatibility with Devices
 - Massey Ferguson Tractors 240 Repair Manual Enhanced eBook Features
7. Enhancing Your Reading Experience
 - Adjustable Fonts and Text Sizes of Massey Ferguson Tractors 240 Repair Manual
 - Highlighting and Note-Taking Massey Ferguson Tractors 240 Repair Manual
 - Interactive Elements Massey Ferguson Tractors 240 Repair Manual
8. Staying Engaged with Massey Ferguson Tractors 240 Repair Manual
 - Joining Online Reading Communities
 - Participating in Virtual Book Clubs
 - Following Authors and Publishers Massey Ferguson Tractors 240 Repair Manual
9. Balancing eBooks and Physical Books Massey Ferguson Tractors 240 Repair Manual
 - Benefits of a Digital Library
 - Creating a Diverse Reading Collection Massey Ferguson Tractors 240 Repair Manual
10. Overcoming Reading Challenges
 - Dealing with Digital Eye Strain
 - Minimizing Distractions
 - Managing Screen Time
11. Cultivating a Reading Routine Massey Ferguson Tractors 240 Repair Manual
 - Setting Reading Goals Massey Ferguson Tractors 240 Repair Manual
 - Carving Out Dedicated Reading Time
12. Sourcing Reliable Information of Massey Ferguson Tractors 240 Repair Manual
 - Fact-Checking eBook Content of Massey Ferguson Tractors 240 Repair Manual
 - Distinguishing Credible Sources
13. Promoting Lifelong Learning

- Utilizing eBooks for Skill Development
 - Exploring Educational eBooks
14. Embracing eBook Trends
- Integration of Multimedia Elements
 - Interactive and Gamified eBooks

Massey Ferguson Tractors 240 Repair Manual Introduction

Massey Ferguson Tractors 240 Repair Manual Offers over 60,000 free eBooks, including many classics that are in the public domain. Open Library: Provides access to over 1 million free eBooks, including classic literature and contemporary works. Massey Ferguson Tractors 240 Repair Manual Offers a vast collection of books, some of which are available for free as PDF downloads, particularly older books in the public domain. Massey Ferguson Tractors 240 Repair Manual : This website hosts a vast collection of scientific articles, books, and textbooks. While it operates in a legal gray area due to copyright issues, its a popular resource for finding various publications. Internet Archive for Massey Ferguson Tractors 240 Repair Manual : Has an extensive collection of digital content, including books, articles, videos, and more. It has a massive library of free downloadable books. Free-eBooks Massey Ferguson Tractors 240 Repair Manual Offers a diverse range of free eBooks across various genres. Massey Ferguson Tractors 240 Repair Manual Focuses mainly on educational books, textbooks, and business books. It offers free PDF downloads for educational purposes. Massey Ferguson Tractors 240 Repair Manual Provides a large selection of free eBooks in different genres, which are available for download in various formats, including PDF. Finding specific Massey Ferguson Tractors 240 Repair Manual, especially related to Massey Ferguson Tractors 240 Repair Manual, might be challenging as theyre often artistic creations rather than practical blueprints. However, you can explore the following steps to search for or create your own Online Searches: Look for websites, forums, or blogs dedicated to Massey Ferguson Tractors 240 Repair Manual, Sometimes enthusiasts share their designs or concepts in PDF format. Books and Magazines Some Massey Ferguson Tractors 240 Repair Manual books or magazines might include. Look for these in online stores or libraries. Remember that while Massey Ferguson Tractors 240 Repair Manual, sharing copyrighted material without permission is not legal. Always ensure youre either creating your own or obtaining them from legitimate sources that allow sharing and downloading. Library Check if your local library offers eBook lending services. Many libraries have digital catalogs where you can borrow Massey Ferguson Tractors 240 Repair Manual eBooks for free, including popular titles. Online Retailers: Websites like Amazon, Google Books, or Apple Books often sell eBooks. Sometimes, authors or publishers offer promotions or free periods for certain books. Authors Website Occasionally, authors provide excerpts or short stories for free on their websites. While this might not be the Massey Ferguson Tractors 240 Repair Manual full book , it can give you a taste

of the authors writing style. Subscription Services Platforms like Kindle Unlimited or Scribd offer subscription-based access to a wide range of Massey Ferguson Tractors 240 Repair Manual eBooks, including some popular titles.

FAQs About Massey Ferguson Tractors 240 Repair Manual Books

What is a Massey Ferguson Tractors 240 Repair Manual PDF? A PDF (Portable Document Format) is a file format developed by Adobe that preserves the layout and formatting of a document, regardless of the software, hardware, or operating system used to view or print it. **How do I create a Massey Ferguson Tractors 240 Repair Manual PDF?** There are several ways to create a PDF: Use software like Adobe Acrobat, Microsoft Word, or Google Docs, which often have built-in PDF creation tools. Print to PDF: Many applications and operating systems have a "Print to PDF" option that allows you to save a document as a PDF file instead of printing it on paper. Online converters: There are various online tools that can convert different file types to PDF. **How do I edit a Massey Ferguson Tractors 240 Repair Manual PDF?** Editing a PDF can be done with software like Adobe Acrobat, which allows direct editing of text, images, and other elements within the PDF. Some free tools, like PDFescape or Smallpdf, also offer basic editing capabilities. **How do I convert a Massey Ferguson Tractors 240 Repair Manual PDF to another file format?** There are multiple ways to convert a PDF to another format: Use online converters like Smallpdf, Zamzar, or Adobe Acrobats export feature to convert PDFs to formats like Word, Excel, JPEG, etc. Software like Adobe Acrobat, Microsoft Word, or other PDF editors may have options to export or save PDFs in different formats. **How do I password-protect a Massey Ferguson Tractors 240 Repair Manual PDF?** Most PDF editing software allows you to add password protection. In Adobe Acrobat, for instance, you can go to "File" -> "Properties" -> "Security" to set a password to restrict access or editing capabilities. Are there any free alternatives to Adobe Acrobat for working with PDFs? Yes, there are many free alternatives for working with PDFs, such as: LibreOffice: Offers PDF editing features. PDFsam: Allows splitting, merging, and editing PDFs. Foxit Reader: Provides basic PDF viewing and editing capabilities. How do I compress a PDF file? You can use online tools like Smallpdf, ILovePDF, or desktop software like Adobe Acrobat to compress PDF files without significant quality loss. Compression reduces the file size, making it easier to share and download. Can I fill out forms in a PDF file? Yes, most PDF viewers/editors like Adobe Acrobat, Preview (on Mac), or various online tools allow you to fill out forms in PDF files by selecting text fields and entering information. Are there any restrictions when working with PDFs? Some PDFs might have restrictions set by their creator, such as password protection, editing restrictions, or print restrictions. Breaking these restrictions might require specific software or tools, which may or may not be legal depending on the circumstances and local laws.

Find Massey Ferguson Tractors 240 Repair Manual :

[how to pass the real estate exam in florida](#)

[how to study for algebra 1 eoc](#)

[how to study for cipp us](#)

how to end the autism epidemic pdf

how to train homing pigeons for beginners

how to overcome jealousy in polyamory

how to crochet a rope

~~how to read piano chords~~

[how to get into documentary filmmaking](#)

[how to close ups account](#)

how to take ar test at home

~~how to gain clients as an esthetician~~

[how to do performance tuning in oracle](#)

how to design and evaluate research in education 11th edition

~~how to score peabody~~

Massey Ferguson Tractors 240 Repair Manual :

Chapter 16.12 - PLUMBING CODE | Chanute, KS The Uniform Plumbing Code, 1985 Edition, a standard adopted by the International Association of Plumbing and Mechanical Officials, is adopted by reference, ... Uniform Plumbing Code 1985 Edition International ... Uniform Plumbing Code 1985 Edition International Association Of Plumbing And... ; Publication Year. 1985 ; Language. English ; Accurate description. 5.0. Uniform Plumbing Code 1985. First Printing Paperback Uniform Plumbing Code 1985. First Printing Paperback ; Publication Year. 1985 ; Type. Building Code ; Accurate description. 4.9 ; Reasonable shipping cost. 4.8. Ubc 1985 | PDF | Building Code | Wall UNIFORM. BUILDING CODE. 1985 Edition Third Printing. Publication Date: May 1, 1985 ... Uniform Building, Mechanical and Plumbing Codes and the National ... Uniform Plumbing Code book by International Association ... Buy a cheap copy of Uniform Plumbing Code book by International Association of Plumbing and Mechanical Officials. Free Shipping on all orders over \$15. 1985 Uniform Building Code (Download) - ICC Store Feb 14, 2014 — Provides certain minimum standards, provisions and requirements for safe and stable design, methods of construction and uses of materials in ... Uniform building code: 1985 edition - Plumbing Title, Uniform

building code: 1985 edition. Author, International Association of Plumbing and Mechanical Officials. Publisher, IAPMO Publications. 1985 Uniform Administrative Code (Download) - ICC Store Feb 9, 2014 — 1985 Uniform Administrative Code (Download). Item #: 8950P550. Price: \$49.00. Volume Discount. Quantity, Price. Uniform Plumbing Code Other editions - View all · Uniform Plumbing Code · International Association of Plumbing and Mechanical Officials Snippet view - 1985. Uniform Plumbing Code MODEL: 3203 OWNERS MANUAL Sep 26, 2003 — Thank-you for purchasing this fine YERF-DOG product. With proper use, maintenance and service this kart will bring many years of fun and ... Yerf-Dog Owner Manuals Yerf-Dog Owner Manuals (updated 3/9/05). Links below take you to bmikarts.com. Replacement Parts · Owners Manuals. Go-Karts Owner's Manual, ATVs Owner's Manual. Yerf-Dog Fun-Kart 3203A Owner's Manual View and Download Yerf-Dog Fun-Kart 3203A owner's manual online. Fun-Kart 3203A utility vehicle pdf manual download. Yerf-Dog Manuals & Parts Breakdowns Yerf-Dog Manuals & Parts Breakdowns. Yerf-Dog Go-Kart #3203 Yerf-Dog Go-Kart #3203. Performance. •, 6.5 HP Tecumseh® engine, Delivers power and durability. •, Torque converter, Consistent smooth drive, no manual shifting. Yerf Dog Manuals and Documentation Yerf Dog 3203 Fun Kart Manual · Yerf Dog 3204 Fun Kart Manual · Yerf Dog 3205 Fun Kart Manual · Yerf Dog 3206-4206 Fun Kart Manual · Yerf Dog 3208 Fun Kart Manual. Yerf-dog Go-Kart Parts Breakdowns Yerf-dog Parts Breakdowns User Manual. Yerf Dog Go Kart 3203 Parts Yerf Dog 3203 2 SEATER BUGGY GO KART ,GO-KART ,GO CART ,GO-CART - \$500 ... Yerf Dog Go Kart 3203 Owners Manual. Yerf Dog 3203 live axle flange bearing ... Yerf Dog #3203 HELP Sep 14, 2014 — so heres some issues i need advice on 1. can the brake cable be tightened up? if so how? 2.how can i get it to not burn my belt up for ... Sample Hunter Safety Test Test your hunting knowledge with this 10 question hunter safety practice test. You need to answer 8 out of 10 questions correctly to pass! Hunter Safety Education Course Practice Test with Answers Test your hunting knowledge with this free hunter safety education course practice test ... Which covers: Alabama, Alaska, Arizona, Arkansas, California, Colorado ... Home Study/On-line Hunter Education Course Each site has a substantial amount of information, and all have review tests. The Today's. Hunter, Huntercourse.com and Hunter Ed Course sites will give the ... Hunter Safety Practice Test - Quiz, Trivia & Questions Dec 13, 2023 — Take up this hunter safety practice test below and get to learn more about hunting safety while testing what you already know. Most people frown ... Study Guide | California Hunter Ed Course Study Guide for the Official California Hunter Ed Course. Everything you need to know to successfully pass your exam. Hunter Ed PRACTICE TEST Flashcards Study with Quizlet and memorize flashcards containing terms like primary objective of hunter education program is to _____., Name three hunting related ... Hunter Safety Test Practice One Flashcards Study with Quizlet and memorize flashcards containing terms like The primary objective of hunder education programs is to, What are three behaviors of a ... Hunting Safety Quiz — Texas Parks & Wildlife Department Hunting Safety Quiz. Important: You must print and take results of each quiz with you on the test date as proof of completion of this online course. Official California Hunter Safety Course - Online Watch this 73-second sample to see how

we put you in the hunter's camo. Comprehensive Instruction in California Hunting Safety Education. This official training ...
California Hunter Education California requires hunter education training for those who have never held a California hunting
... exam. The Online Course and Follow-up class is designed for ...