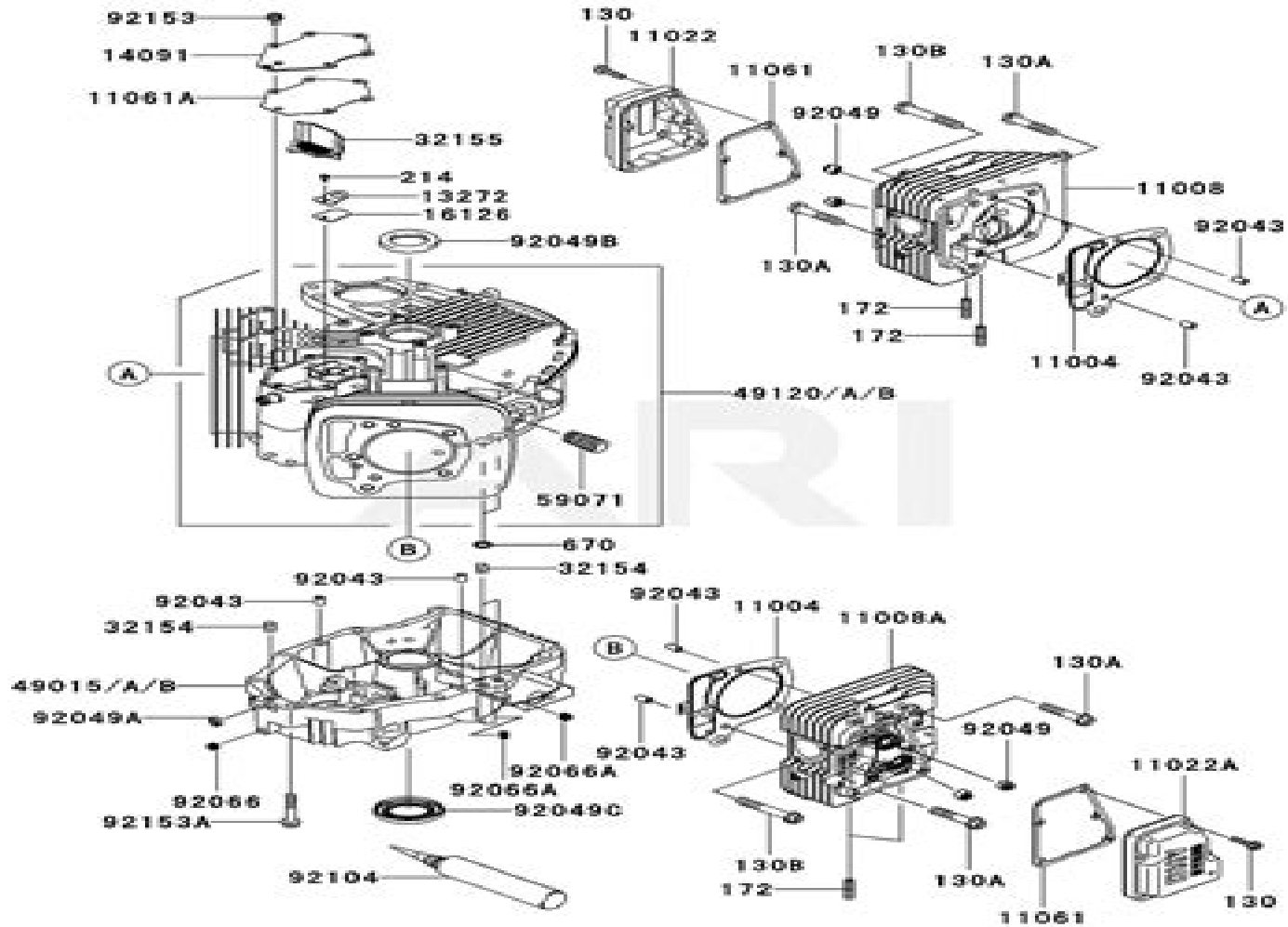


E0110-A652G



15 Hp Kawasaki Engine Owners Manual

Marco Gobetto



15 Hp Kawasaki Engine Owners Manual

Small Air-cooled Engine Service Manual, 1990-1994 ,1995 Previously published as one volume under same title
Popular Mechanics ,1974-03 Popular Mechanics inspires instructs and influences readers to help them master the modern world Whether it s practical DIY home improvement tips gadgets and digital technology information on the newest cars or the latest breakthroughs in science PM is the ultimate guide to our high tech lifestyle Vehicle Operator's Manual ,1988
Mercury/Mariner 75-250 HP Two-Stroke 1998-2009 Editors of Clymer Manuals,2015-12-01 Mercury Mariner 65 Jet 1998 2009 Mercury Mariner 75 HP 1998 2009 Mercury Mariner 80 Jet 1998 2009 Mercury Mariner 90 Jet 1998 2009 Mercury Mariner 100 HP 1998 2009 Mercury Mariner 105 Jet 1998 2009 Mercury Mariner 115 HP 4 Cyl 1998 2009 Mercury Mariner 115 HP Optimax V 6 1998 2009 Mercury Mariner 125 HP 1998 2009 Mercury Mariner 135 HP 1998 2009 Mercury Mariner 135 HP Optimax 1998 2009 Mercury Mariner 140 Jet 1998 2009 Mercury Mariner 150 HP Carburetor Equipped 1998 2009 Mercury Mariner 150 HP EFI 1998 2009 Mercury Mariner 150 XR6 1998 2009 Mercury Mariner 150 HP Optimax 1998 2009 Mercury Mariner 150 Mag III 1998 2009 Mercury Mariner 175 HP Carburetor Equipped 1998 2009 Mercury Mariner 175 HP EFI 1998 2009 Mercury Mariner 175 HP Optimax 1998 2009 Mercury Mariner 200 HP Carburetor Equipped 1998 2009 Mercury Mariner 200 HP EFI 1998 2009 Mercury Mariner 200 HP Optimax 1998 2009 Mercury Mariner 225 HP Carburetor Equipped 1998 2009 Mercury Mariner 225 HP EFI 1998 2009 Mercury Mariner 225 HP Optimax 1998 2009 Mercury Mariner 250 HP EFI 1998 2009 TROUBLESHOOTING LUBRICATION MAINTENANCE AND TUNE UP ENGINE TOP END ENGINE LOWER END CLUTCH AND EXTERNAL SHIFT MECHANISM TRANSMISSION AND INTERNAL SHIFT MECHANISM FUEL EMISSION CONTROL AND EXHAUST SYSTEMS ELECTRICAL SYSTEM COOLING SYSTEM WHEELS TIRES AND DRIVE CHAIN FRONT SUSPENSION AND STEERING REAR SUSPENSION BRAKES BODY AND FRAME COLOR WIRING DIAGRAMS *Small Engines Service Manual* Intertec Publishing Corporation,1985-10 *Popular Mechanics* ,1997
Honda CB500F/X and CBR500R Editors of Haynes Manuals,2021-08-10 This Haynes Manual features complete maintenance and repair information for Honda CB500F X and CBR500R motorcycles built from 2013 to 2020 **Popular Science** ,1990-03 Popular Science gives our readers the information and tools to improve their technology and their world The core belief that Popular Science and our readers share The future is going to be better and science and technology are the driving forces that will help make it better *Rea's Far Eastern Manual ...* ,1923 *Airframe and Powerplant Mechanics Airframe Handbook* United States. Flight Standards Service,1976 **Nelson v. Transamerica Insurance Services, 441 MICH 508 (1992)** ,1992 92069 **Handbook of Buying Issue** ,1969 *Kawasaki KLR650 2008-2017* Haynes Publishing,2017-03-01 Each Clymer manual provides specific and detailed instructions for performing everything from basic maintenance and troubleshooting to a complete overhaul of your vehicle If you re a do it yourselfer then you will

find this service and repair manual fantastically more comprehensive than the factory manual When it comes to repairs and modifications Kawasaki KLR650 is an indispensable part of the tool box Get ahold of your copy today and keep your bike running tomorrow *Paperbound Books in Print* ,1992 Operations Management in Automotive Industries Marco Gobetto,2013-10-23 This book has proved its worth over the years as a text for courses in Production Management at the Faculty of Automotive Engineering in Turin Italy but deserves a wider audience as it presents a compendium of basics on Industrial Management since it covers all major topics required It treats all subjects from product development and make or buy decision strategies to the manufacturing systems setting and management through analysis of the main resources needed in production and finally exploring the supply chain management and the procurement techniques The very last chapter recapitulates the previous ones by analysing key management indicators to pursue the value creation that is the real purpose of every industrial enterprise As an appendix a specific chapter is dedicated to the basics of production management where all main relevant definitions techniques and criteria are treated including some numerical examples in order to provide an adequate foundation for understanding the other chapters This book will be of use not only to Automotive Engineering students but a wide range of readers who wish to gain insight in the world of automotive engineering and the automotive industry in general *Sport Aviation* ,1990 *Popular Mechanics* ,1990-04 Popular Mechanics inspires instructs and influences readers to help them master the modern world Whether it s practical DIY home improvement tips gadgets and digital technology information on the newest cars or the latest breakthroughs in science PM is the ultimate guide to our high tech lifestyle **Gas Turbine Engineering Handbook** Meherwan P. Boyce,2017-09-01 The Gas Turbine Engineering Handbook has been the standard for engineers involved in the design selection and operation of gas turbines This revision includes new case histories the latest techniques and new designs to comply with recently passed legislation By keeping the book up to date with new emerging topics Boyce ensures that this book will remain the standard and most widely used book in this field The new Third Edition of the Gas Turbine Engineering Hand Book updates the book to cover the new generation of Advanced gas Turbines It examines the benefit and some of the major problems that have been encountered by these new turbines The book keeps abreast of the environmental changes and the industries answer to these new regulations A new chapter on case histories has been added to enable the engineer in the field to keep abreast of problems that are being encountered and the solutions that have resulted in solving them Comprehensive treatment of Gas Turbines from Design to Operation and Maintenance In depth treatment of Compressors with emphasis on surge rotating stall and choke Combustors with emphasis on Dry Low NOx Combustors and Turbines with emphasis on Metallurgy and new cooling schemes An excellent introductory book for the student and field engineers A special maintenance section dealing with the advanced gas turbines and special diagnostic charts have been provided that will enable the reader to troubleshoot problems he encounters in the field The third edition consists of many Case Histories of Gas Turbine problems This should enable the field

engineer to avoid some of these same generic problems
,1977

Road & Track ,1980-02

Implement & Tractor Red Book

[the top 9 free online english level tests with answers](#) - Apr 11 2023

web 1 day ago read and write tests oxford practice grammar intermediate tests download the tests and answer key for oxford practice grammar intermediate tests pdf

[test your english cambridge english](#) - Oct 05 2022

web answer all questions there are 36 single select questions in total 2 be honest to get the most out of the test make sure your answers are real if you don t know the answer

test your english for schools cambridge english - Oct 25 2021

free english level tests downloadable pdf learn english team - Jun 13 2023

web english language tests english language tests can be divided into a number of popular and in demand categories including placement tests assessment tests grammar tests

placement tests macmillan straightforward - Jul 14 2023

web you can test your english skills from easy to harder ones take beginner elementary pre intermediate intermediate upper intermediate advanced level tests a1 a2 b1 b2

free english level test test your english esl esl language s - Jun 01 2022

web hint for exercises you can reveal the answers first submit worksheet and print the page to have the exercise and the answers

online english level test test your english for free preply - Apr 30 2022

web this is a quick free online english test suitable for young learners aged 11 or more it will tell you which cambridge english exam may be best for you

entry test worksheet liveworksheets com - Sep 23 2021

free online language tests find out your level esl - Aug 03 2022

web questions and answers a graphic organizer to teach questions and how to answer them teacher and students work together to fill in the last column with example from their

esl practice tests 15 grammarbank - Nov 25 2021

[english level online test languagecert](#) - Jan 08 2023

web test your language skills on this page you will find different online language tests for english german italian spanish french chinese mandarin arabic and russian

level test intermediate b1 free english level test - Sep 04 2022

web dec 2 2011 it s almost time for the final exam it s an esl speaking test which will show my students ability to remember answers the test is also about fluency i give my

[placement test a1 a2 general gramm english](#) - May 12 2023

web candidates can quickly identify which languagecert international esol exam level they need by taking our level check quiz this short quiz consists of 25 multiple choice

[english esl language placement and assessment tests guide](#) - Feb 09 2023

web 1 a when are you going to go out b when going out are we c when do we go out 2 a i work tomorrow b i don t working tomorrow c i m working tomorrow 3 a did you

english practice test with answers a2 tracktest english - Mar 10 2023

web discover your current english level this online level test will give you an approximate indication of the english level you are working towards or completing you can use the

[general knowledge questions with answers for esl](#) - Mar 30 2022

web id 34406 language english school subject english as a second language esl grade level 5 age 7 12 main content tests other contents verb to be have got

623 questions and answers english esl worksheets pdf doc - Jan 28 2022

[entry test a worksheet liveworksheets com](#) - Dec 27 2021

tests oxford practice grammar oxford university press - Dec 07 2022

web there are 40 questions in this grammar test they cover all levels from elementary a1 to advanced c1 in a random order some of the questions are easier some are more

online english level test learnenglish british council - Nov 06 2022

web do you know your level of english test your english with esl s english online test it s quick free helps you evaluate your current english level

[english grammar level test oxford online english](#) - Jul 02 2022

web id 2564086 language english school subject english as a second language esl grade level level test age 8 main content

grammar other contents level test add

english as a second language esl tests college board - Aug 15 2023

web in this section you will find placement tests to help you find which level of straightforward your students should be using each test has 50 questions with one point available for

beginner esl exam conversation questions esl writing - Feb 26 2022

victor hugo claudes résumé personnages et analyse - Aug 04 2022

web claudes est un roman de victor hugo paru en 1834 dans la revue de paris inspiré de faits réels le texte est un véritable plaidoyer en faveur des déshérités conduits au crime par la misère et dédaignés par la société

claudes hugo victor 1802 1885 archive org - Jan 09 2023

web claudes by hugo victor 1802 1885 publication date 2006 topics hugo victor 1802 1885 claudes hugo victor claudes manuel litte rature e tude et enseignement

claudes victor hugo google books - May 01 2022

web jan 1 2012 une édition de référence de claudes de victor hugo spécialement conçue pour la lecture sur les supports numériques voyez claudes cerveau bien fait cœur bien fait sans nul doute mais le sort le

claudes by victor hugo books on google play - Feb 10 2023

web claudes ebook written by victor hugo read this book using google play books app on your pc android ios devices download for offline reading highlight bookmark or take notes while you read claudes

claudes victor hugo kitapyurdu com - Nov 07 2022

web feb 1 2022 victor hugo can yayinlari İlk kez 1834 yılında la revue de paris de yayımlanan claudes ilhamını 1832 de cinayetden idam cezasına mahkûm edilen bir insanın gerçek hikâyesinden alır 19

claudes victor hugo fiyat satın al d r - Apr 12 2023

web kitap edebiyat roman dünya klasik claudes yazar victor hugo Çevirmen melis oflas yayınevi can yayınları Öne Çıkan bilgiler hamur tipi 2 hamur sayfa sayısı 48 ebat 12 5 x 19 5 İlk baskı yılı 2022 baskı sayısı 1 basım dil türkçe tüm Özellikleri gör tüm formatlar 2 adet e kitap 9 00 tl İnce kapak 23 15 tl

claudes wikipédia - Jul 15 2023

web claudes est un court roman de victor hugo paru en 1834 et dénonçant les conditions de détention au xix e siècle ainsi que la disproportion des délits et des peines à cette même époque dans un autre de ses romans le dernier jour d un condamné il dénonce aussi la peine de mort

livre audio claudes victor hugo youtube - Feb 27 2022

web nov 24 2014 claudes gueux est une nouvelle de victor hugo qui raconte la vie misérable d'un jeune homme de trente six ans obligé de voler pour subvenir à ses besoins et à ceux de sa famille victor

claudes gueux wikisource - Jun 14 2023

web claudes gueux Œuvres complètes de victor hugo texte établi par gustave simon imprimerie nationale ollendorff 1910 roman tome i p 747 766 le manuscrit de claudes gueux claudes gueux il y a sept ou huit ans un homme nommé claudes gueux pauvre ouvrier vivait à paris

claudes gueux victor hugo can yayınları canyayınları - Dec 08 2022

web claudes gueux kitap Önizlemesini İncele claudes gueux kitap açıklaması İlk kez 1834 yılında la revue de paris de yayımlanan claudes gueux ilhamını 1832 de cinayetden idam cezasına mahkûm edilen bir insanın gerçek hikâyesinden alır 19

claudes gueux victor hugo résumé et analyse commentaire - Mar 11 2023

web apr 15 2014 voici un court résumé et une analyse de claudes gueux de victor hugo claudes gueux résumé claudes gueux est un pauvre ouvrier de paris qui vit avec sa femme et son enfant c'est un travailleur journalier il ne trouve du travail qu'au jour le jour et est très peu payé un hiver le travail manque et il vole du pain pour nourrir

claudes gueux wikisource the free online library - May 13 2023

web jan 2 2021 claudes gueux was a short story written by victor hugo in 1834 it is considered an early example of true crime fiction and contains hugo's early thoughts on societal injustice which thirty years later he would flesh out in his novel les misérables excerpted from claudes gueux on wikipedia the free encyclopedia

pourquoi n es tu pas à ta place lelivrescolaire fr - Jul 03 2022

web ce récit est inspiré de faits réels claudes gueux un ouvrier dans la misère vole pour nourrir sa famille il est arrêté et condamné à une peine de cinq ans de prison en détention il se lie d'amitié avec albin les deux hommes se soutiennent mutuellement mais un jour claudes apprend qu'albin a été transféré dans un autre

claudes gueux hugo victor diaz pierre amazon com tr kitap - Jan 29 2022

web le horla et autres nouvelles fantastiques classiques cie lycée 52 guy de maupassant 512 cep kitabı 152 31 tl ile 1 teklif le dernier jour d'un condamné kapak değişebilir victor hugo 1 083 kağıt kapak

claudes gueux by victor hugo goodreads - Dec 28 2021

web claudes gueux victor hugo claudes gueux was a short story written by victor hugo in 1834 hugo's early thoughts on societal injustice which thirty years later he would flesh out in his novel les misérables □□□□□□ □□□ □□□□ □□□□□□ □□□□□□ □□□□□□ 1991 □□□□

claudes gueux wikipedia - Mar 31 2022

web claudes gueux è la quinta opera di narrativa di victor hugo pubblicata nel 1834 il libro è incentrato sulla denuncia delle

condizioni di vita dei prigionieri situazione peggiorata dalla mancata correlazione tra i delitti commessi e le pene comminate si tratta di un romanzo breve che include influenze dallo stile dei pamphlet indice 1 il libro

claudes gueux victor hugo fiyat satın al d r - Jun 02 2022

web kitap adı claudes gueux yazar victor hugo yayınevi platanus publishing hamur tipi 2 hamur sayfa sayısı 35 ebat 13 5 x 21 İlk baskı yılı 2020 baskı sayısı 1 basım dil İngilizce barkod 9786257907934

claudes gueux victor hugo romanlar can yayınları - Oct 06 2022

web 19 yüzyılda paris te yaşayan otuz altı yaşında dürüst bir işçinin önce cezaevine girmesini ardından idama mahkûm edilmesini konu alan bu kısa roman victor hugo nun toplumsal adaletsizliği gözler önüne serdiği felsefi bir anlatı olma özelliği taşır adaletin kendisi de en az işlenen suç kadar ilkelse sorunu nerede aramak gerekir

claudes gueux victor hugo babelio - Sep 05 2022

web apr 24 2015 résumé un homme nommé claudes gueux pauvre ouvrier vivait à paris en 1831 il avait avec lui une fille qui était sa maîtresse et un enfant de cette fille il était capable fort habile intelligent fort mal traité par l'éducation fort bien traité par la nature ne sachant pas lire mais sachant penser un hiver l'ouvrage manqua

claudes gueux wikipedia - Aug 16 2023

web claudes gueux is a short story written by victor hugo in 1834 it is considered an early example of true crime fiction and contains hugo s early thoughts on societal injustice which thirty years later he would flesh out in his novel les misérables

owndays online store optical shop glasses spectacles - Oct 04 2023

web explore the extensive selection of spectacle frames and sunglasses available in owndays frames start from 98 per pair and come with standard high index aspheric lenses there is no additional charge for standard lenses of any power find the right eyewear befitting your personal style from owndays today

frames owndays online store optical shop - Mar 29 2023

web all owndays spectacles come with high index aspheric lenses that have dust repellent coating and offer uv protection find your perfect pair of spectacles in owndays see all products

buy eyeglasses online lenskart sg - Jul 01 2023

web lenskart offers single vision glasses progressive glasses clip on glasses sunglasses and kids hooper glasses classic colors with vintage and contemporary designs and styles top collections like vincent chase john jacobs air wrap and air flex these huge arrays of eyewear are made with the best premium materials from pro titanium to

14 best spectacle shops in singapore for affordable stylish - Sep 03 2023

web aug 18 2023 whether you re looking to change up your style or need to upgrade your spectacles as your eyesight changes you ll have plenty of choices with these affordable spectacle shops in singapore there s no need to fork out a tonne

of money to feel confident in your new pair of eyes

optical and spectacles shop near me better vision - Jan 27 2023

web we have been a leading eyewear and contact lenses brand in singapore and other countries all our spectacle shops have continuously delivered quality products such as prescription glasses and sunglasses coloured contact lenses designer eyewear and other correction eyeglasses for years

[lenskart sg sunglasses contact lens eyeglasses frames](#) - Aug 02 2023

web orders profile shop online for sunglasses eyeglasses and contact lenses for men women and get upto 18 discount at lenskart sg free shipping cash on delivery 14 days return

spectacle hut singapore making vision care personal - Apr 29 2023

web as a parent you are likely to be keenly attuned to any changes or signs of discomfort in your child if you have noticed your child squinting their eyes to see moving closer to view distant objects like the tv tilting their head to focus rubbing their eyes or complaining of headaches and eye strain it is important to pay close attention

check out all our eyewear collections better vision - Feb 25 2023

web frame width s 120 125 6 8 yr old frame width m 126 130 8 11 yr old frame width l prescription glasses are thin glass lenses that are framed in such a way that they can be worn in front of the eyes check out our collection on this page *distance spectacles and reading spectacles zeiss* - Dec 26 2022

web oct 16 2021 single vision spectacles distance spectacles reading spectacles off the peg reading spectacles with so much choice available what are the most important points to bear in mind read on to learn about the different quality classes and check out our key tips for buying spectacles

[glasses buy glasses online smartbuyglasses singapore](#) - May 31 2023

web looking to purchase spectacles or sunglasses online with hundreds of designer brands on offer prepare to be truly spoilt for choice whether you are looking for women s sunglasses or men s eyeglasses or even kids ski goggles you are bound to find what you are looking for every frame is guaranteed the lowest price on the market

15 Hp Kawasaki Engine Owners Manual Book Review: Unveiling the Power of Words

In some sort of driven by information and connectivity, the energy of words has be more evident than ever. They have the ability to inspire, provoke, and ignite change. Such is the essence of the book **15 Hp Kawasaki Engine Owners Manual**, a literary masterpiece that delves deep in to the significance of words and their effect on our lives. Written by a renowned author, this captivating work takes readers on a transformative journey, unraveling the secrets and potential behind every word. In this review, we shall explore the book is key themes, examine its writing style, and analyze its overall affect readers.

https://offsite.creighton.edu/files/virtual-library/Documents/nna_background_check.pdf

https://offsite.creighton.edu/files/virtual-library/Documents/novela_de_tres_hermanos_mecanicos.pdf

https://offsite.creighton.edu/files/virtual-library/Documents/off_the_beaten_path_ohio.pdf

Table of Contents 15 Hp Kawasaki Engine Owners Manual

1. Understanding the eBook 15 Hp Kawasaki Engine Owners Manual
 - The Rise of Digital Reading 15 Hp Kawasaki Engine Owners Manual
 - Advantages of eBooks Over Traditional Books
2. Identifying 15 Hp Kawasaki Engine Owners Manual
 - Exploring Different Genres
 - Considering Fiction vs. Non-Fiction
 - Determining Your Reading Goals
3. Choosing the Right eBook Platform
 - Popular eBook Platforms
 - Features to Look for in an 15 Hp Kawasaki Engine Owners Manual

- User-Friendly Interface
- 4. Exploring eBook Recommendations from 15 Hp Kawasaki Engine Owners Manual
 - Personalized Recommendations
 - 15 Hp Kawasaki Engine Owners Manual User Reviews and Ratings
 - 15 Hp Kawasaki Engine Owners Manual and Bestseller Lists
- 5. Accessing 15 Hp Kawasaki Engine Owners Manual Free and Paid eBooks
 - 15 Hp Kawasaki Engine Owners Manual Public Domain eBooks
 - 15 Hp Kawasaki Engine Owners Manual eBook Subscription Services
 - 15 Hp Kawasaki Engine Owners Manual Budget-Friendly Options
- 6. Navigating 15 Hp Kawasaki Engine Owners Manual eBook Formats
 - ePub, PDF, MOBI, and More
 - 15 Hp Kawasaki Engine Owners Manual Compatibility with Devices
 - 15 Hp Kawasaki Engine Owners Manual Enhanced eBook Features
- 7. Enhancing Your Reading Experience
 - Adjustable Fonts and Text Sizes of 15 Hp Kawasaki Engine Owners Manual
 - Highlighting and Note-Taking 15 Hp Kawasaki Engine Owners Manual
 - Interactive Elements 15 Hp Kawasaki Engine Owners Manual
- 8. Staying Engaged with 15 Hp Kawasaki Engine Owners Manual
 - Joining Online Reading Communities
 - Participating in Virtual Book Clubs
 - Following Authors and Publishers 15 Hp Kawasaki Engine Owners Manual
- 9. Balancing eBooks and Physical Books 15 Hp Kawasaki Engine Owners Manual
 - Benefits of a Digital Library
 - Creating a Diverse Reading Collection 15 Hp Kawasaki Engine Owners Manual
- 10. Overcoming Reading Challenges
 - Dealing with Digital Eye Strain
 - Minimizing Distractions
 - Managing Screen Time
- 11. Cultivating a Reading Routine 15 Hp Kawasaki Engine Owners Manual
 - Setting Reading Goals 15 Hp Kawasaki Engine Owners Manual

- Carving Out Dedicated Reading Time
- 12. Sourcing Reliable Information of 15 Hp Kawasaki Engine Owners Manual
 - Fact-Checking eBook Content of 15 Hp Kawasaki Engine Owners Manual
 - Distinguishing Credible Sources
- 13. Promoting Lifelong Learning
 - Utilizing eBooks for Skill Development
 - Exploring Educational eBooks
- 14. Embracing eBook Trends
 - Integration of Multimedia Elements
 - Interactive and Gamified eBooks

15 Hp Kawasaki Engine Owners Manual Introduction

In the digital age, access to information has become easier than ever before. The ability to download 15 Hp Kawasaki Engine Owners Manual has revolutionized the way we consume written content. Whether you are a student looking for course material, an avid reader searching for your next favorite book, or a professional seeking research papers, the option to download 15 Hp Kawasaki Engine Owners Manual has opened up a world of possibilities. Downloading 15 Hp Kawasaki Engine Owners Manual provides numerous advantages over physical copies of books and documents. Firstly, it is incredibly convenient. Gone are the days of carrying around heavy textbooks or bulky folders filled with papers. With the click of a button, you can gain immediate access to valuable resources on any device. This convenience allows for efficient studying, researching, and reading on the go. Moreover, the cost-effective nature of downloading 15 Hp Kawasaki Engine Owners Manual has democratized knowledge. Traditional books and academic journals can be expensive, making it difficult for individuals with limited financial resources to access information. By offering free PDF downloads, publishers and authors are enabling a wider audience to benefit from their work. This inclusivity promotes equal opportunities for learning and personal growth. There are numerous websites and platforms where individuals can download 15 Hp Kawasaki Engine Owners Manual. These websites range from academic databases offering research papers and journals to online libraries with an expansive collection of books from various genres. Many authors and publishers also upload their work to specific websites, granting readers access to their content without any charge. These platforms not only provide access to existing literature but also serve as an excellent platform for undiscovered authors to share their work with the world. However, it is essential to be cautious while downloading 15 Hp Kawasaki Engine Owners Manual. Some websites may offer pirated or illegally obtained copies of copyrighted material. Engaging in such activities not only violates copyright laws but also

undermines the efforts of authors, publishers, and researchers. To ensure ethical downloading, it is advisable to utilize reputable websites that prioritize the legal distribution of content. When downloading 15 Hp Kawasaki Engine Owners Manual, users should also consider the potential security risks associated with online platforms. Malicious actors may exploit vulnerabilities in unprotected websites to distribute malware or steal personal information. To protect themselves, individuals should ensure their devices have reliable antivirus software installed and validate the legitimacy of the websites they are downloading from. In conclusion, the ability to download 15 Hp Kawasaki Engine Owners Manual has transformed the way we access information. With the convenience, cost-effectiveness, and accessibility it offers, free PDF downloads have become a popular choice for students, researchers, and book lovers worldwide. However, it is crucial to engage in ethical downloading practices and prioritize personal security when utilizing online platforms. By doing so, individuals can make the most of the vast array of free PDF resources available and embark on a journey of continuous learning and intellectual growth.

FAQs About 15 Hp Kawasaki Engine Owners Manual Books

How do I know which eBook platform is the best for me? Finding the best eBook platform depends on your reading preferences and device compatibility. Research different platforms, read user reviews, and explore their features before making a choice. Are free eBooks of good quality? Yes, many reputable platforms offer high-quality free eBooks, including classics and public domain works. However, make sure to verify the source to ensure the eBook credibility. Can I read eBooks without an eReader? Absolutely! Most eBook platforms offer webbased readers or mobile apps that allow you to read eBooks on your computer, tablet, or smartphone. How do I avoid digital eye strain while reading eBooks? To prevent digital eye strain, take regular breaks, adjust the font size and background color, and ensure proper lighting while reading eBooks. What the advantage of interactive eBooks? Interactive eBooks incorporate multimedia elements, quizzes, and activities, enhancing the reader engagement and providing a more immersive learning experience. 15 Hp Kawasaki Engine Owners Manual is one of the best book in our library for free trial. We provide copy of 15 Hp Kawasaki Engine Owners Manual in digital format, so the resources that you find are reliable. There are also many Ebooks of related with 15 Hp Kawasaki Engine Owners Manual. Where to download 15 Hp Kawasaki Engine Owners Manual online for free? Are you looking for 15 Hp Kawasaki Engine Owners Manual PDF? This is definitely going to save you time and cash in something you should think about. If you trying to find then search around for online. Without a doubt there are numerous these available and many of them have the freedom. However without doubt you receive whatever you purchase. An alternate way to get ideas is always to check another 15 Hp Kawasaki Engine Owners Manual. This method for see exactly what may be included and adopt these

ideas to your book. This site will almost certainly help you save time and effort, money and stress. If you are looking for free books then you really should consider finding to assist you try this. Several of 15 Hp Kawasaki Engine Owners Manual are for sale to free while some are payable. If you arent sure if the books you would like to download works with for usage along with your computer, it is possible to download free trials. The free guides make it easy for someone to free access online library for download books to your device. You can get free download on free trial for lots of books categories. Our library is the biggest of these that have literally hundreds of thousands of different products categories represented. You will also see that there are specific sites catered to different product types or categories, brands or niches related with 15 Hp Kawasaki Engine Owners Manual. So depending on what exactly you are searching, you will be able to choose e books to suit your own need. Need to access completely for Campbell Biology Seventh Edition book? Access Ebook without any digging. And by having access to our ebook online or by storing it on your computer, you have convenient answers with 15 Hp Kawasaki Engine Owners Manual To get started finding 15 Hp Kawasaki Engine Owners Manual, you are right to find our website which has a comprehensive collection of books online. Our library is the biggest of these that have literally hundreds of thousands of different products represented. You will also see that there are specific sites catered to different categories or niches related with 15 Hp Kawasaki Engine Owners Manual So depending on what exactly you are searching, you will be able to choose ebook to suit your own need. Thank you for reading 15 Hp Kawasaki Engine Owners Manual. Maybe you have knowledge that, people have search numerous times for their favorite readings like this 15 Hp Kawasaki Engine Owners Manual, but end up in harmful downloads. Rather than reading a good book with a cup of coffee in the afternoon, instead they juggled with some harmful bugs inside their laptop. 15 Hp Kawasaki Engine Owners Manual is available in our book collection an online access to it is set as public so you can download it instantly. Our digital library spans in multiple locations, allowing you to get the most less latency time to download any of our books like this one. Merely said, 15 Hp Kawasaki Engine Owners Manual is universally compatible with any devices to read.

Find 15 Hp Kawasaki Engine Owners Manual :

[nna background check](#)

[novela de tres hermanos mecanicos](#)

[off the beaten path ohio](#)

[nova vita foundation](#)

[normal liver sonography images](#)

[nondisjunction notes answer key](#)

[non profit cover letter examples](#)

north america turtle island

nostradamus correct predictions

ocean's eleven common sense media

noisy animals book

octagon picnic table plans

nonprofit statement of financial position

nwea map scores math

officer to warrant officer

15 Hp Kawasaki Engine Owners Manual :