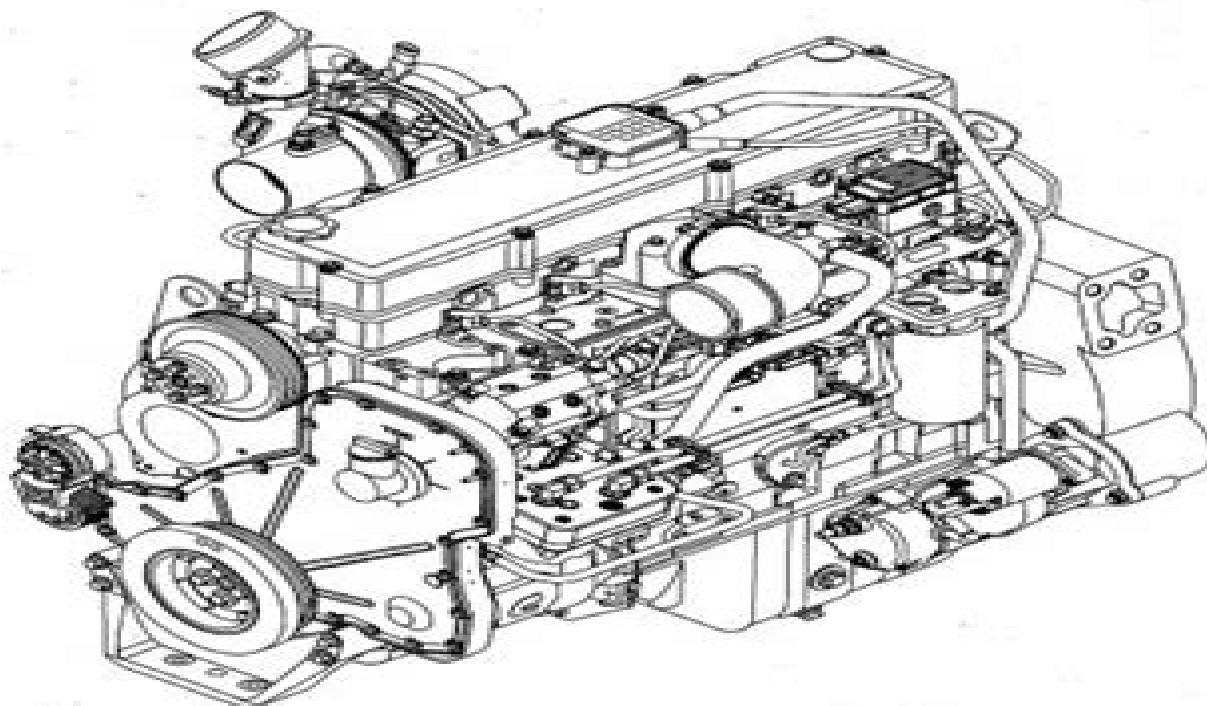




Troubleshooting and Repair Manual ISC, ISC[®], QSC8.3, ISL and QSL9 Engines

Open front screen



Copyright© 2003
Cummins Inc.
All rights reserved

Bulletin 4021-418-00
Printed 12/03

L99 Engine Free Repair Manual

Katrin Zwirglmaier



L99 Engine Free Repair Manual

Repair Manual Ford Motor Company. Service Department,1947

Snowmobile Service Manual Intertec Publishing Corporation. Technical Publications Division,1971

1925 - 1926 Chevrolet Car, Pickup, & Truck Repair Shop Manual GM Corporation,2020-05-10 This 1925 1926 Chevrolet Car Pickup Truck Repair Shop Manual is a high quality licensed PRINT reproduction of the service manual authored by General Motors Corporation and published by Detroit Iron This OEM factory manual is 8 5 x 11 inches paperback bound shrink wrapped and contains 152 pages of comprehensive mechanical instructions with detailed diagrams photos and specifications for the mechanical components of your vehicle such as the engine transmission suspension brakes fuel exhaust steering electrical and drive line Service repair manuals were originally written by the automotive manufacturer to be used by their dealership mechanics The following 1925 1926 Chevrolet models are covered Superior Superior Truck This factory written Detroit Iron shop manual is perfect for the restorer or anyone working on one of these vehicles

1986 Chevy LD Truck Unit Repair Manual GM Corporation,2020-05-10 This 1986 Chevy LD Truck Unit Repair Manual is a high quality licensed PRINT reproduction of the service manual authored by General Motors Corporation and published by Detroit Iron This OEM factory manual is 8 5 x 11 inches paperback bound shrink wrapped and contains 832 pages of comprehensive mechanical instructions with detailed diagrams photos and specifications for the mechanical components of your vehicle such as the engine transmission suspension brakes fuel exhaust steering electrical and drive line Service repair manuals were originally written by the automotive manufacturer to be used by their dealership mechanics The following 1986 Chevrolet models are covered C10 C10 Suburban C20 C20 Suburban C30 K10 K10 Suburban K20 K20 Suburban K30 K5 Blazer Astro G10 G20 G30 P20 P30 S10 S10 Blazer This factory written Detroit Iron shop manual is perfect for the restorer or anyone working on one of these vehicles

Chevrolet Engine Service Manual for 'C and E' Series Bedford ,197?

Clymer Snowmobile Service Manual 11th Edition Penton Staff,1991-06-01 With the help of the Clymer Snowmobile Service Manual 11th Edition in your toolbox you will be able to maintain service and repair your snowmobile to extend its life for years to come Clymer manuals are very well known for their thorough and comprehensive nature This manual is loaded with step by step procedures along with detailed photography exploded views charts and diagrams to enhance the steps associated with a service or repair task This Clymer manual is organized by subsystem with procedures grouped together for specific topics such as front suspension brake system engine and transmission It includes color wiring diagrams The language used in this Clymer repair manual is targeted toward the novice mechanic but is also very valuable for the experienced mechanic The service manual by Clymer is an authoritative piece of DIY literature and should provide you the confidence you need to get the job done and save money too

1993 Chevrolet Light Duty Truck Fuel & Emissions Service Manual GM Corporation,2020-05-10 This 1993 Chevrolet Light Duty Truck Fuel Emissions Service Manual is a high quality licensed PRINT reproduction of the service manual authored by General Motors Corporation and published by Detroit Iron This OEM factory manual is 8 5 x 11 inches paperback bound shrink wrapped and contains 872 pages of comprehensive mechanical instructions with detailed diagrams photos and specifications for the mechanical components of your vehicle such as the engine transmission suspension brakes fuel exhaust steering electrical and drive line Service repair manuals were originally written by the automotive manufacturer to be used by their dealership mechanics The following 1993 Chevrolet models are covered Blazer C1500 C1500 Suburban C2500 C2500 Suburban C3500 K1500 K1500 Suburban K2500 K2500 Suburban K3500 S10 S10 Blazer Astro G10 G20 G30 P30 This factory written Detroit Iron shop manual is perfect for the restorer or anyone working on one of these vehicles

1931 Chevrolet Car & Truck Repair Shop Manual GM Corporation,2020-05-10 This 1931 Chevrolet Car Truck Repair Shop Manual is a high quality licensed PRINT reproduction of the service manual authored by General Motors Corporation and published by Detroit Iron This OEM factory manual is 8 5 x 11 inches paperback bound shrink wrapped and contains 280 pages of comprehensive mechanical instructions with detailed diagrams photos and specifications for the mechanical components of your vehicle such as the engine transmission suspension brakes fuel exhaust steering electrical and drive line Service repair manuals were originally written by the automotive manufacturer to be used by their dealership mechanics The following 1931 Chevrolet models are covered AE Independence Truck This factory written Detroit Iron shop manual is perfect for the restorer or anyone working on one of these vehicles

Motor's Auto Repair Manual ,1963

1981 Chevrolet Car & Truck Unit Repair Manual GM Corporation,2020-05-10 This 1981 Chevrolet Car Truck Unit Repair Manual is a high quality licensed PRINT reproduction of the service manual authored by General Motors Corporation and published by Detroit Iron This OEM factory manual is 8 5 x 11 inches paperback bound shrink wrapped and contains 546 pages of comprehensive mechanical instructions with detailed diagrams photos and specifications for the mechanical components of your vehicle such as the engine transmission suspension brakes fuel exhaust steering electrical and drive line Service repair manuals were originally written by the automotive manufacturer to be used by their dealership mechanics The following 1981 Chevrolet models are covered Bel Air Camaro Caprice Impala Malibu Monte Carlo El Camino C10 C10 Suburban C20 C20 Suburban C30 G10 G20 G30 K10 K10 Suburban K20 K20 Suburban K5 Blazer P20 P30 K30 This factory written Detroit Iron shop manual is perfect for the restorer or anyone working on one of these vehicles

1938 Chevrolet Car and Truck Shop Manual GM Corporation,2020-05-10 This 1938 Chevrolet Car and Truck Shop Manual is a high quality licensed PRINT reproduction of the service manual authored by General Motors Corporation and published by Detroit Iron This OEM factory manual is 8 5 x 11 inches paperback bound shrink wrapped and contains 276 pages of comprehensive mechanical instructions with detailed diagrams photos and specifications for the mechanical components of your vehicle such as the engine transmission suspension brakes fuel exhaust steering electrical and drive line Service repair manuals were originally written by the automotive manufacturer to be used by their dealership mechanics The following 1938 Chevrolet models are covered HC HD HE Master Master Deluxe Master Truck This factory written Detroit Iron shop manual is perfect for the restorer or anyone working on one of these vehicles

Engine Repair Manual Atlantis Diesel Engines (Firm),1987*

1934 Chevrolet Shop Manual - Master & Standard GM Corporation,2020-05-10 This 1934 Chevrolet Shop Manual Master Standard is a high quality licensed PRINT reproduction of the service manual authored by General Motors Corporation and published by Detroit Iron This OEM factory manual is 8 5 x 11 inches paperback bound shrink wrapped and contains 164 pages of comprehensive mechanical instructions with detailed diagrams photos and specifications for the mechanical components of your vehicle such as the engine transmission suspension brakes fuel exhaust steering electrical and drive line Service repair manuals were originally written by the automotive manufacturer to be used by their dealership mechanics The following 1934 Chevrolet models are covered DB Master Standard This factory written Detroit Iron shop manual is perfect for the restorer or anyone working on one of these vehicles

1927 - 1928 Chevrolet Car & Truck Repair Shop Manual GM Corporation,2020-05-10 This 1927 1928 Chevrolet Car Truck Repair Shop Manual is a high quality licensed PRINT reproduction of the service manual authored by General Motors Corporation and published by Detroit Iron This OEM factory manual is 8 5 x 11 inches paperback bound shrink wrapped and contains 272 pages of comprehensive mechanical instructions with detailed diagrams photos and specifications for the mechanical components of your vehicle such as the engine transmission suspension brakes fuel exhaust steering electrical and drive line Service repair manuals were originally written by the automotive manufacturer to be used by their dealership mechanics The following 1927 1928 Chevrolet models are covered Capitol National Capitol Truck National Truck This factory written Detroit Iron shop manual is perfect for the restorer or anyone working on one of these vehicles

1973 Chevrolet Light Duty Truck Service Manual GM Corporation,2020-05-10 This 1973 Chevrolet Light Duty Truck Service Manual is a high quality licensed PRINT reproduction of the service manual authored by General Motors Corporation and published by Detroit Iron This OEM factory manual is 8 5 x 11 inches paperback bound shrink wrapped and contains 976 pages of comprehensive mechanical instructions with detailed diagrams photos and specifications for the mechanical components of your vehicle such as the engine transmission suspension brakes fuel exhaust steering electrical and drive line Service repair manuals were originally written by the automotive manufacturer to be used by their dealership mechanics The following 1973 Chevrolet models are covered Blazer C10 Pickup C10 Suburban C20 Pickup C20 Suburban C30 Pickup G10 Van G20 Van G30 Van K10 Pickup K10 Suburban K20 Pickup K20 Suburban K30 Pickup Luv Pickup P10 Van P20 Van P30 Van This factory written Detroit Iron shop manual is perfect for the restorer or anyone working on one of these vehicles

1981 Chevrolet Light Duty Truck Service Manual GM Corporation,2020-05-10 This 1981 Chevrolet Light Duty Truck Service Manual is a high quality licensed PRINT reproduction of the service manual authored by General Motors Corporation and published by Detroit Iron This OEM factory manual is 8 5 x 11 inches paperback bound shrink wrapped and contains 1162 pages of comprehensive mechanical instructions with detailed diagrams photos and specifications for the mechanical components of your vehicle such as the engine transmission suspension brakes fuel exhaust steering electrical and drive line Service repair manuals were originally written by the automotive manufacturer to be used by their dealership mechanics The following 1981 Chevrolet models are covered C10 C10 Suburban C20 C20 Suburban C30 G10 G20 G30 K10 K10 Suburban K20 K20 Suburban K5 Blazer P20 P30 K30 This factory written Detroit Iron shop manual is perfect for the restorer or anyone working on one of these vehicles

1974 Chevrolet Light Duty Truck Service Manual GM Corporation,2020-05-10 This 1974 Chevrolet Light Duty Truck Service Manual is a high quality licensed PRINT reproduction of the service manual authored by General Motors Corporation and published by Detroit Iron This OEM factory manual is 8 5 x 11 inches paperback bound shrink wrapped and contains 978 pages of comprehensive mechanical instructions with detailed diagrams photos and specifications for the mechanical components of your vehicle such as the engine transmission suspension brakes fuel exhaust steering electrical and drive line Service repair manuals were originally written by the automotive manufacturer to be used by their dealership mechanics The following 1974 Chevrolet models are covered Blazer C10 Pickup C10 Suburban C20 Pickup C20 Suburban C30 Pickup G10 Van G20 Van G30 Van K10 Pickup K10 Suburban K20 Pickup K20 Suburban K30 Pickup P10 Van P20 Van P30 Van This factory written Detroit Iron shop manual is perfect for the restorer or anyone working on one of these vehicles

1980 Chevrolet Light Duty Truck Service Manual GM Corporation,2020-05-10 This 1980 Chevrolet Light Duty Truck Service Manual is a high quality licensed PRINT reproduction of the service manual authored by General Motors Corporation and published by Detroit Iron This OEM factory manual is 8 5 x 11 inches paperback bound shrink wrapped and contains 1032 pages of comprehensive mechanical instructions with detailed diagrams photos and specifications for the mechanical components of your vehicle such as the engine transmission suspension brakes fuel exhaust steering electrical and drive line Service repair manuals were originally written by the automotive manufacturer to be used by their dealership mechanics The following 1980 Chevrolet models are covered C10 C10 Suburban C20 C20 Suburban C30 G10 G20 G30 K10 K10 Suburban K20 K20 Suburban K5 Blazer P10 P20 P30 K30 This factory written Detroit Iron shop manual is perfect for the restorer or anyone working on one of these vehicles

1979 Chevrolet Service Manual GM Corporation,2020-05-10 This 1979 Chevrolet Service Manual is a high quality licensed PRINT reproduction of the service manual authored by General Motors Corporation and published by Detroit Iron This OEM factory manual is 8 5 x 11 inches paperback bound shrink wrapped and contains 948 pages of comprehensive mechanical instructions with detailed diagrams photos and specifications for the mechanical components of your vehicle such as the engine transmission suspension brakes fuel exhaust steering electrical and drive line Service repair manuals were originally written by the automotive manufacturer to be used by their dealership mechanics The following 1979 Chevrolet models are covered Camaro Caprice Corvette El Camino Impala Malibu Monte Carlo Nova This factory written Detroit Iron shop manual is perfect for the restorer or anyone working on one of these vehicles

1940 Chevrolet Shop Manual GM Corporation,2020-05-10 This 1940 Chevrolet Shop Manual is a high quality licensed PRINT reproduction of the service manual authored by General Motors Corporation and published by Detroit Iron This OEM factory manual is 8 5 x 11 inches paperback bound shrink wrapped and contains 282 pages of comprehensive mechanical instructions with detailed diagrams photos and specifications for the mechanical components of your vehicle such as the engine transmission suspension brakes fuel exhaust steering electrical and drive line Service repair manuals were originally written by the automotive manufacturer to be used by their dealership mechanics The following 1940 Chevrolet models are covered KC KD KF KP Master 85 Special Deluxe WA This factory written Detroit Iron shop manual is perfect for the restorer or anyone working on one of these vehicles

Thank you very much for downloading **L99 Engine Free Repair Manual**. Maybe you have knowledge that, people have seen numerous times for their favorite books in imitation of this L99 Engine Free Repair Manual, but stop taking place in harmful downloads.

Rather than enjoying a fine book like a cup of coffee in the afternoon, instead they juggled when some harmful virus inside their computer. **L99 Engine Free Repair Manual** is straightforward in our digital library an online right of entry to it is set as public correspondingly you can download it instantly. Our digital library saves in fused countries, allowing you to acquire the most less latency era to download any of our books in imitation of this one. Merely said, the L99 Engine Free Repair Manual is universally compatible when any devices to read.

https://offsite.creighton.edu/files/Resources/index.jsp/Mercury_Retrograde_Tired.pdf

https://offsite.creighton.edu/files/Resources/index.jsp/michael_o_leary_actor.pdf

https://offsite.creighton.edu/files/Resources/index.jsp/mental_health_treatment_plan_goals_and_objectives_pdf.pdf

Table of Contents L99 Engine Free Repair Manual

1. Understanding the eBook L99 Engine Free Repair Manual
 - The Rise of Digital Reading L99 Engine Free Repair Manual
 - Advantages of eBooks Over Traditional Books
2. Identifying L99 Engine Free Repair Manual
 - Exploring Different Genres
 - Considering Fiction vs. Non-Fiction
 - Determining Your Reading Goals
3. Choosing the Right eBook Platform
 - Popular eBook Platforms
 - Features to Look for in an L99 Engine Free Repair Manual
 - User-Friendly Interface
4. Exploring eBook Recommendations from L99 Engine Free Repair Manual
 - Personalized Recommendations
 - L99 Engine Free Repair Manual User Reviews and Ratings

- L99 Engine Free Repair Manual and Bestseller Lists
- 5. Accessing L99 Engine Free Repair Manual Free and Paid eBooks
 - L99 Engine Free Repair Manual Public Domain eBooks
 - L99 Engine Free Repair Manual eBook Subscription Services
 - L99 Engine Free Repair Manual Budget-Friendly Options
- 6. Navigating L99 Engine Free Repair Manual eBook Formats
 - ePub, PDF, MOBI, and More
 - L99 Engine Free Repair Manual Compatibility with Devices
 - L99 Engine Free Repair Manual Enhanced eBook Features
- 7. Enhancing Your Reading Experience
 - Adjustable Fonts and Text Sizes of L99 Engine Free Repair Manual
 - Highlighting and Note-Taking L99 Engine Free Repair Manual
 - Interactive Elements L99 Engine Free Repair Manual
- 8. Staying Engaged with L99 Engine Free Repair Manual
 - Joining Online Reading Communities
 - Participating in Virtual Book Clubs
 - Following Authors and Publishers L99 Engine Free Repair Manual
- 9. Balancing eBooks and Physical Books L99 Engine Free Repair Manual
 - Benefits of a Digital Library
 - Creating a Diverse Reading Collection L99 Engine Free Repair Manual
- 10. Overcoming Reading Challenges
 - Dealing with Digital Eye Strain
 - Minimizing Distractions
 - Managing Screen Time
- 11. Cultivating a Reading Routine L99 Engine Free Repair Manual
 - Setting Reading Goals L99 Engine Free Repair Manual
 - Carving Out Dedicated Reading Time
- 12. Sourcing Reliable Information of L99 Engine Free Repair Manual
 - Fact-Checking eBook Content of L99 Engine Free Repair Manual
 - Distinguishing Credible Sources

13. Promoting Lifelong Learning
 - Utilizing eBooks for Skill Development
 - Exploring Educational eBooks
14. Embracing eBook Trends
 - Integration of Multimedia Elements
 - Interactive and Gamified eBooks

L99 Engine Free Repair Manual Introduction

Free PDF Books and Manuals for Download: Unlocking Knowledge at Your Fingertips In today's fast-paced digital age, obtaining valuable knowledge has become easier than ever. Thanks to the internet, a vast array of books and manuals are now available for free download in PDF format. Whether you are a student, professional, or simply an avid reader, this treasure trove of downloadable resources offers a wealth of information, conveniently accessible anytime, anywhere. The advent of online libraries and platforms dedicated to sharing knowledge has revolutionized the way we consume information. No longer confined to physical libraries or bookstores, readers can now access an extensive collection of digital books and manuals with just a few clicks. These resources, available in PDF, Microsoft Word, and PowerPoint formats, cater to a wide range of interests, including literature, technology, science, history, and much more. One notable platform where you can explore and download free L99 Engine Free Repair Manual PDF books and manuals is the internet's largest free library. Hosted online, this catalog compiles a vast assortment of documents, making it a veritable goldmine of knowledge. With its easy-to-use website interface and customizable PDF generator, this platform offers a user-friendly experience, allowing individuals to effortlessly navigate and access the information they seek. The availability of free PDF books and manuals on this platform demonstrates its commitment to democratizing education and empowering individuals with the tools needed to succeed in their chosen fields. It allows anyone, regardless of their background or financial limitations, to expand their horizons and gain insights from experts in various disciplines. One of the most significant advantages of downloading PDF books and manuals lies in their portability. Unlike physical copies, digital books can be stored and carried on a single device, such as a tablet or smartphone, saving valuable space and weight. This convenience makes it possible for readers to have their entire library at their fingertips, whether they are commuting, traveling, or simply enjoying a lazy afternoon at home. Additionally, digital files are easily searchable, enabling readers to locate specific information within seconds. With a few keystrokes, users can search for keywords, topics, or phrases, making research and finding relevant information a breeze. This efficiency saves time and effort, streamlining the learning process and allowing individuals to focus on extracting the information they need. Furthermore, the availability of free PDF books and manuals fosters a culture of continuous learning.

By removing financial barriers, more people can access educational resources and pursue lifelong learning, contributing to personal growth and professional development. This democratization of knowledge promotes intellectual curiosity and empowers individuals to become lifelong learners, promoting progress and innovation in various fields. It is worth noting that while accessing free L99 Engine Free Repair Manual PDF books and manuals is convenient and cost-effective, it is vital to respect copyright laws and intellectual property rights. Platforms offering free downloads often operate within legal boundaries, ensuring that the materials they provide are either in the public domain or authorized for distribution. By adhering to copyright laws, users can enjoy the benefits of free access to knowledge while supporting the authors and publishers who make these resources available. In conclusion, the availability of L99 Engine Free Repair Manual free PDF books and manuals for download has revolutionized the way we access and consume knowledge. With just a few clicks, individuals can explore a vast collection of resources across different disciplines, all free of charge. This accessibility empowers individuals to become lifelong learners, contributing to personal growth, professional development, and the advancement of society as a whole. So why not unlock a world of knowledge today? Start exploring the vast sea of free PDF books and manuals waiting to be discovered right at your fingertips.

FAQs About L99 Engine Free Repair Manual Books

1. Where can I buy L99 Engine Free Repair Manual books? Bookstores: Physical bookstores like Barnes & Noble, Waterstones, and independent local stores. Online Retailers: Amazon, Book Depository, and various online bookstores offer a wide range of books in physical and digital formats.
2. What are the different book formats available? Hardcover: Sturdy and durable, usually more expensive. Paperback: Cheaper, lighter, and more portable than hardcovers. E-books: Digital books available for e-readers like Kindle or software like Apple Books, Kindle, and Google Play Books.
3. How do I choose a L99 Engine Free Repair Manual book to read? Genres: Consider the genre you enjoy (fiction, non-fiction, mystery, sci-fi, etc.). Recommendations: Ask friends, join book clubs, or explore online reviews and recommendations. Author: If you like a particular author, you might enjoy more of their work.
4. How do I take care of L99 Engine Free Repair Manual books? Storage: Keep them away from direct sunlight and in a dry environment. Handling: Avoid folding pages, use bookmarks, and handle them with clean hands. Cleaning: Gently dust the covers and pages occasionally.
5. Can I borrow books without buying them? Public Libraries: Local libraries offer a wide range of books for borrowing.

- Book Swaps: Community book exchanges or online platforms where people exchange books.
6. How can I track my reading progress or manage my book collection? Book Tracking Apps: Goodreads, LibraryThing, and Book Catalogue are popular apps for tracking your reading progress and managing book collections. Spreadsheets: You can create your own spreadsheet to track books read, ratings, and other details.
 7. What are L99 Engine Free Repair Manual audiobooks, and where can I find them? Audiobooks: Audio recordings of books, perfect for listening while commuting or multitasking. Platforms: Audible, LibriVox, and Google Play Books offer a wide selection of audiobooks.
 8. How do I support authors or the book industry? Buy Books: Purchase books from authors or independent bookstores. Reviews: Leave reviews on platforms like Goodreads or Amazon. Promotion: Share your favorite books on social media or recommend them to friends.
 9. Are there book clubs or reading communities I can join? Local Clubs: Check for local book clubs in libraries or community centers. Online Communities: Platforms like Goodreads have virtual book clubs and discussion groups.
 10. Can I read L99 Engine Free Repair Manual books for free? Public Domain Books: Many classic books are available for free as they're in the public domain. Free E-books: Some websites offer free e-books legally, like Project Gutenberg or Open Library.

Find L99 Engine Free Repair Manual :

mercury retrograde tired

michael o leary actor

mental health treatment plan goals and objectives pdf

[mep plans construction](#)

mmi questions and answers

mini donut factory

~~mike mentzer hit program~~

midsomer murders 2022

[men's day black church themes](#)

miami police sergeant

melvin taylor discography

mercedes benz w114 w115

[mitosis matching worksheet answer key](#)

[millon psychological test](#)

[mighty jack and the goblin king](#)

L99 Engine Free Repair Manual :

of cartography poems sun tracks band 81 pdf ai classmonitor - Nov 27 2022

web of cartography poems sun tracks band 81 3 3 comparative lyric designed for students teachers scholars poets and readers with a general interest in poetics this book presents an intellectual history of the theory of lyric reading that has circulated both within and beyond the classroom wherever poetry is taught read discussed and

of cartography poems sun tracks book 81 amazon com - Jun 03 2023

web sep 26 2017 esther g belin of cartography poems sun tracks book 81 print replica kindle edition by esther g belin author format kindle edition 4 7 4 ratings part of sun tracks 73 books see all formats and editions kindle 9 99 read with our free app paperback 15 49 22 used from 14 92 20 new from 13 18

of cartography poems volume 81 sun tracks softcover - Aug 05 2023

web of cartography poems volume 81 sun tracks by belin esther g isbn 10 0816536023 isbn 13 9780816536023 university of arizona press 2017 softcover of cartography poems volume 81 sun tracks belin esther g 9780816536023

[of cartography poems sun tracks band 81 pdf download only](#) - Jun 22 2022

web may 14 2023 of cartography poems sun tracks band 81 pdf eventually you will unconditionally discover a further experience and deed by spending more cash still when complete you bow to that you require to acquire those every needs behind having significantly cash why dont you try to acquire something basic in the beginning

of cartography poems sun tracks book 81 english edition - Feb 28 2023

web of cartography poems sun tracks book 81 english edition ebook belin esther g amazon de kindle shop

of cartography poems sun tracks 81 mitpressbookstore - Sep 06 2023

web sep 26 2017 depicting the personal and the political of cartography is an exploration of identity through language with poems ranging from prose to typographic and linguistic illustrations this distinctive collection pushes the boundaries of traditional poetic form

of cartography poems volume 81 sun tracks amazon com - Oct 07 2023

web sep 26 2017 of cartography poems volume 81 sun tracks paperback illustrated september 26 2017 by esther g belin author 4 7 4 7 out of 5 stars 4 ratings

of cartography poems sun tracks band 81 pdf - Oct 27 2022

web aug 12 2023 cartography poems sun tracks band 81 pdf by online you might not require more time to spend to go to the books creation as skillfully as search for them in some cases you likewise reach not discover the message of cartography poems sun tracks band 81 pdf that you are looking for it will entirely squander the time

of cartography poems sun tracks 81 paperback amazon co uk - Jul 04 2023

web of cartography digs into the cultural and physical representation of navajo language how landscape shapes identity and what it means to be indian high country news at once conceptual art a poetic narrative and a holistic exploration of locating oneself through language jennifer elise foerster author of leaving tulsa

of cartography poems sun tracks band 81 uniport edu - Feb 16 2022

web aug 10 2023 stanyan street other sorrows rod mckuen 1966 includes poems which have been recorded and read autobiographical and lyrical two of which are about stanyan and kearny streets in san francisco

of cartography poems sun tracks band 81 pdf - May 22 2022

web 2 of cartography poems sun tracks band 81 2023 01 19 ancestors and family the poetry and music that she first encountered as a child and the messengers of a changing earth owls heralding grief resilient desert plants and

buy of cartography poems 81 sun tracks book online at low - Jan 30 2023

web amazon in buy of cartography poems 81 sun tracks book online at best prices in india on amazon in read of cartography poems 81 sun tracks book reviews author details and more at amazon in free delivery on qualified orders

of cartography uapress - Dec 29 2022

web depicting the personal and the political of cartography is an exploration of identity through language with poems ranging from prose to typographic and linguistic illustrations this distinctive collection pushes the boundaries of traditional poetic form marking territory and position according to the diné cardinal points of cartography

of cartography volume 81 poems poemsvolume 81 sun tracks band 81 - May 02 2023

web of cartography volume 81 poems poemsvolume 81 sun tracks band 81 belin esther g amazon de bücher

of cartography poems sun tracks band 81 old syndeohro - Apr 01 2023

web of cartography poems sun tracks band 81 yaqui deer songs maso bwikam map to the stars smoking the bible the lyric theory reader writing arizona 1912 2012 rona a poem in seven books illustrated with a correct map of the hebrides and elegant engravings by john ogilvie d d an open map wingbeats ii exercises and practice in

of cartography poems sun tracks band 81 copy - Mar 20 2022

web connect the sun to the earth with special emphasis on space weather and sun climate dear reader cell traffic heid e erdrich 2012 04 01 cell traffic presents new poems and uncollected prose poetry along with selected work from award winning poet heid erdrich s three previous poetry collections erdrich s new work reflects her continuing

of cartography poems sun tracks band 81 pdf hipertexto - Jul 24 2022

web of cartography poems sun tracks band 81 pdf eventually you will very discover a other experience and expertise by spending more cash nevertheless when complete you allow that you require to get those all needs as soon as having significantly cash

free pdf download of cartography poems sun tracks band 81 - Sep 25 2022

web of cartography poems sun tracks band 81 under the night sun mar 03 2022 under the night sun is poetry that mixes a picture of life s ruin for many urban aboriginal people with the celebration of nature and the connections possible between people of passion and spirit randy lundy s words rasp

of cartography poems sun tracks band 81 sitemap cioal - Apr 20 2022

web aug 5 2023 of cartography poems sun tracks band 81 of cartography poems sun tracks band 81 3 downloaded from sitemap cioal com on 2019 09 09 by guest during their first season this diverse and endearing group of teens are challenged in ways that make them reevaluate just who and how they trust sloane leong s evocative storytelling about

of cartography poems sun tracks band 81 pdf pdf - Aug 25 2022

web camille t dungy has selected 180 poems from 93 poets that provide unique perspectives on american social and literary history to broaden our concept of nature poetry and african american poetics this collection features major writers such as phillis wheatley rita dove yusef komunyakaa gwendolyn brooks sterling brown robert hayden wanda

picaxe 08m2 circuitlab - Jun 24 2022

web sep 15 2013 picaxe 08m2 public created by beera1 created september 15 2013 last modified march 14 2015 tags no tags summary not provided link share circuitlab provides online in browser tools for schematic capture and circuit simulation these tools allow students hobbyists and professional engineers to design and analyze

circuit picaxe 08m2 tempos tempos circuit picaxe 08m2 - Apr 22 2022

web picaxe incorporates 08 micro m2 digital input with push pot adjustment function switch 2a relay output and power indicators relay recording connector suitable for development of automation that require external control with a button and a potentiometer for example a timer picaxe intègre 08 micro m2

picaxe manuals getting started picaxe - Oct 29 2022

web the picaxe manual is divided into four separate downloads section 1 getting started section 2 basic commands section 3 microcontroller interfacing circuits section 4 using flowcharts section 5 blockly for picaxe this first section provides general information for getting started with the picaxe system

picaxe 08m2 circuit temperature picaxe 08m2 circuit - Aug 27 2022

web picaxe 08m2 circuit température circuito picaxe 08m2 temperatura ucpic 2 technical characteristics voltage 12 v dc we

start with a simple program we read the temperature 29 and if the value is the same as above activate the output nous commençons avec un programme simple lire la température 29 et si la valeur est la

introducing the picaxe system technical articles all about circuits - May 24 2022

web jul 27 2015 for windows users the latest offering is called picaxe editor 6 and consists of a full featured ide integrated development environment and a flowchart coding aid for mac or linux operating systems there is axepad which also will run under windows both options include and support a very capable version of basic

picaxe programming basics part 1 technical articles - Jul 06 2023

web aug 3 2015 this article will cover the basics of programming a picaxe microcontroller and will use a very simple test circuit and sample code to help explain the programming process the test circuit is shown in the schematic diagram below and in a labeled photograph of the circuit built on a solderless breadboard microcontroller picaxe

picaxe pinouts what is picaxe picaxe - Feb 01 2023

web serial download circuit 3 5mm serial download socket never ever leave the serial input pin of the picaxe chip floating unconnected the serial in download pin is shown in the pinout diagrams above e g leg 2 on 08m2 a floating serial in pin will result in unreliable operation and is inviting trouble

picaxe 08m2 circuit all about circuits - Sep 27 2022

web may 16 2012 picaxe 08m2 circuit home forums embedded programming microcontrollers picaxe 08m2 circuit thread starter spark8217 start date may 12 2012 search forums new posts thread starter spark8217 joined aug 29 2011 64 may 12 2012 1 hi guys well started with controllers for the first time seem to

[picaxe 08m2 circuit 2 relays circuit picaxe 08m2 farnell](#) - Jul 26 2022

web characteristic voltage 12 v dc minimum consumption 15 ma maximum consumption 75 ma supported picaxe 08m2 08m relay maximum load 2 amp 230 vac protection reverse polarity yes recommended power supply fe 103 size 72 x 87 x 30 mm din rail

08m2 with 12v relay circuit picaxe forum - Nov 29 2022

web oct 8 2022 08m2 circuit jpg 284 7 kb views 41 the bear senior member oct 7 2022 2 for starters the battery negatives should be connected together jeff haas senior member oct 7 2022 3 please post the code you re using to trigger the relay look at p 109 of picaxe manual 2 for the basic format you can test your code with an led then

picaxe 18m2 microcontroller circuits bristolwatch com - Feb 18 2022

web fig 2 picaxe 18m2 pictured above is the 18m2 chip based on the microchip pic16 l f1826 it has 2048 bytes of program memory flash ram 256 bytes of static ram 256 bytes of eeprom and 16 i o pins that can be configured as shown above the i o is configured in two 8 bit ports known as portb and portc

[picaxe m2 information](#) - Jun 05 2023

web the new picaxe 08m2 14m2 18m2 and 20m2 microcontrollers build on example part comparison 08m2 picaxe feature basic command 08m2 08m 08 memory capacity bytes max memory capacity lines 2048 1800 256 220 128 110 real life in circuit simulation 9 88 factory engraved picaxe name 9 88 picaxe m2 product briefing 4

[picaxe 08m2 microcontroller](#) - Mar 22 2022

web the picaxe 08m microcontroller can be used with any software application that supports the picaxe hardware including the easy to use flowcharting software logicator for picaxe and the free picaxe programming editor the picaxe 08m2 replaces the older picaxe 08 and picaxe 08m chips unit 2 industrial quarter bath business park foxcote ave

[controlling a servo with a picaxe and an ir sensor](#) - May 04 2023

web dec 29 2016 a picaxe 08m2 can be used to read the amount of ir infrared light falling on a phototransistor and respond by moving a servo to a predetermined position learn how to combine a picaxe ir sensors and a servo motor to create a device that responds to a moving stimulus spoilers i hook it up to eyeballs that can follow a finger

08m2 motherboard circuit creator picaxe - Sep 08 2023

web the 08m2 motherboard is the controlling heart of an 8 pin picaxe system to which other input and output interfaces connect all 08m2 commands schematic pcb create module bill of materials simulation schematic print view full size pcb print view full size motherboard test program

[picaxe 08m2 microcontroller axe007m2 hardware picaxe](#) - Mar 02 2023

web product details the smallest but most popular picaxe microcontroller very popular in education due to its low cost and small size but also very popular in a wide range of hobbyist projects small but perfectly formed this chip supports up to 6 inputs outputs with 3 analogue touch sensor channels

[how to use picaxe kitronik ltd](#) - Apr 03 2023

web jan 5 2015 08m2 5 3 in or out 1 in only 1 out shared with programming pin 0 3 18m2 16 14 in or out 1 in only 1 out shared with programming pin 0 10 20m2 16 16 in or out 0 11 when it comes to selecting a chip size for a project it is important to make sure it has enough inputs and outputs to fulfil the specification of the project

simplest digital frequency counter 08m2 project gallery picaxe - Dec 31 2022

web apr 13 2013 the program code is simple and the parts count is insanely low at under 10 components total a picaxe 08m2 is in control of a small lcd counter module the code for the picaxe is also very simple only 11 lines long the picaxe takes care of 3 crucial functions it creates the 1 second 1000 msec sampling time such that the digital

build a temperature and or humidity controlled fan with a picaxe 08m2 - Aug 07 2023

web sep 25 2017 a picaxe 08m2 microcontroller and an hih6030 sensor team up to easily control a ventilation fan using

temperature or humidity or both we use a ventilation fan when we want to move air

[a simple 2 hour picaxe project play tunes with an 08m2](#) - Oct 09 2023

web step 1 picaxe project parts list 1 picaxe 08m2 microcontroller 1 8 ohm speaker or 40 ohm speaker and omit the 33 ohm resistor when using 40 ohms 1 8 pin ic socket 1 3mm stereo jack 1 22k ohm resistor 1 33 ohm resistor 3 10k ohm resistors 1 two position dip switch or equivalent switches

[list of the saddle club episodes wikipedia](#) - Oct 22 2022

web the following is a complete episode list for the australian children s series the saddle club which began airing on abc on 30 april 2001 and ended on 10 april 2009 the series revolves around the experiences of three best friends carole hanson stevie lake and lisa atwood who form the saddle club after recognizing their equal passions for horse

[watch the saddle club free tv shows tubi](#) - Apr 27 2023

web the saddle club 2001 tv g drama kids family amid the thrills of the competitive equestrian world three best friends help each other through horse shows humiliations and heartbreak season 1 s01 e01 the saddle club carole and stevie befriend lisa s01 e02 work horses the club plans to kidnap prancer s01 e03 trail ride pt 1

saddle club 58 wild horses saddle club series eng molly gloss - Aug 20 2022

web computer saddle club 58 wild horses saddle club series eng is comprehensible in our digital library an online admission to it is set as public as a result you can download it instantly our digital library saves in merged countries allowing you to get the most less latency era to download any of our books subsequent to this one merely said

wild horses 58 saddle club saddle club 58 archive org - Oct 02 2023

web an icon used to represent a menu that can be toggled by interacting with this icon

[prime video the saddle club season 1](#) - Feb 23 2023

web free trial of pure flix s1 e2 work horses april 29 2001 25min tv g the story of three heroines stevie carole and lisa who form the saddle club at the pine hollow stables each character has a distinctly different personality but all share an equal love of horses and a strong loyalty to each other free trial of pure flix

saddle club 58 wild horses saddle club series english edition - Jul 31 2023

web remember singapore 35 best roping saddle images roping saddles saddles the saddle club info center angelfire wild horses saddle club 58 by bonnie bryant saddle club gudie to horses video dailymotion saddle club at wilderness horse camp wild horses saddle club r bryant bonnie saddle club riding saddle club 55 gold medal horse rakuten

[saddle club 58 wild horses saddle club series eng moira c](#) - Feb 11 2022

web club 58 wild horses saddle club series eng as one of the most on the go sellers here will definitely be among the best options to review the english catalogue of books sampson low 1876 vols for 1898 1968 include a directory of publishers book

of field sports and library of veterinary knowledge

saddle club 58 wild horses saddle club series eng 2023 - Jun 29 2023

web 2 saddle club 58 wild horses saddle club series eng 2023 05 26 sounds like a great idea will these activities help them rediscover their love of horses or is the saddle club about to untack for good star gazer skylark fritz a pony excluded from the group of beautiful horses within the walled city becomes a hero

saddle club 58 wild horses saddle club series eng pdf 2023 - Sep 20 2022

web mar 17 2023 title saddle club 58 wild horses saddle club series eng pdf 2023 created date 3 17 2023 11 57 29 am

[the saddle club youtube](#) - Sep 01 2023

web based on the series of popular books for young readers the saddle club follows the lives of three aspiring equestrians developing their riding skills at pine hollow stables

[wild horses 58 saddle club saddle club 58 amazon com](#) - Jan 25 2023

web jan 1 1996 paperback 5 55 3 used from 5 55 1 collectible from 29 00 lisa atwood thinks the fancy boarding school she visits for the weekend is nice enough but she d never want to go there it s two hours from willow creek home of her best friends steve lake and carole hanson book 52 of 94 saddle club series print length 131 pages language

saddle club 58 wild horses saddle club series eng samuel - Nov 22 2022

web feb 23 2023 kindly say the saddle club 58 wild horses saddle club series eng is universally compatible with any devices to read democracy and education john dewey 1916 in this book dewey tries to criticize and expand on the educational philosophies of rousseau and plato dewey s ideas were seldom adopted in america s public schools

[saddle club 58 wild horses saddle club series eng 2022](#) - Apr 15 2022

web saddle club 58 wild horses saddle club series eng downloaded from crm vasista in by guest douglas ramos destiny and the wild horses pony club secrets book 3 skylark will a city girl s horse dreams ever come true for jordan mckenzie moving from los angeles to rural michigan was a big change in la she was used to giant shopping

saddle club 58 wild horses saddle club series eng 2022 - May 29 2023

web 2 saddle club 58 wild horses saddle club series eng 2022 09 30 saddle club 58 wild horses harpercollins uk award winning author victoria vane lets loose the fourth in the hot cowboy nights series wild horses couldn t bring them together with exceptional talent and looks cowboy horse whisperer keith russo once had the

horse show the saddle club wiki fandom - Jun 17 2022

web horse show is book 8 in the original series to the saddle club there s nothing more exciting than riding horses at pine hollow until they re invited to new york city to watch the american horse show max s former student dorothy desoto will be competing and the girls will get a backstage view of competitive riding and in their free time lisa

saddle club 58 wild horses saddle club series kindle edition - Mar 27 2023

web jul 30 2014 saddle club 58 wild horses saddle club series ebook bryant bonnie amazon co uk kindle store

saddle club 58 wild horses saddle club series eng 2022 - Mar 15 2022

web equine stories each sharing a sense of love loss and survival summer horse skylark the saddle club will be apart for the summer and each girl is going to have an opportuniy for a special horseback ride this first super edition contains three stories about each member of the saddle club wild horses of the world skylark

saddle club 58 wild horses saddle club series eng 2023 - May 17 2022

web saddle club 58 wild horses saddle club series eng 5 5 horse cobalt and when it looks like she s headed for the same trouble again the girls are quick to act but are they already too late billboard skylark pine hollow is boarding some horses from a neighboring stable one of the horses has special problems that require help from the

watch the saddle club s01 e08 star quality free tv shows - Jul 19 2022

web s01 e17 horse play the girls arrange a fright night for the annual costume party and encounter a ghost s01 e18 found horse pt 1 stevie rescues a neglected mare and plans on keeping her s01 e19 found horse pt 2 belle s owner returns to claim her

saddle club 58 wild horses saddle club series english - Dec 24 2022

web achetez et téléchargez ebook saddle club 58 wild horses saddle club series english edition boutique kindle horses amazon fr