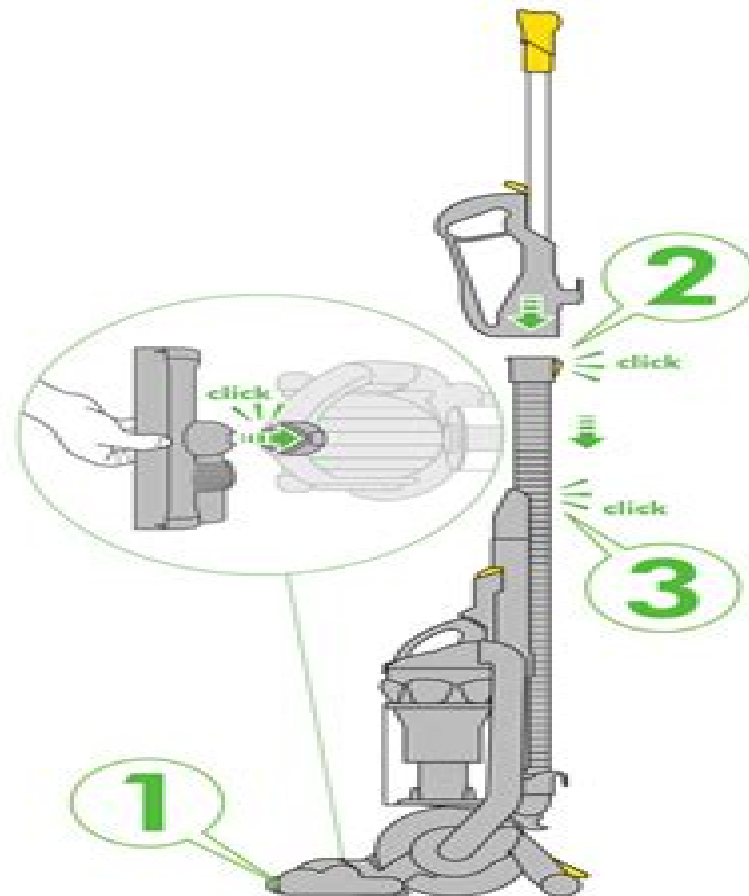


ASSEMBLY



Dyson 14 Manual

**Dayton (Ohio). Public Library and
Museum**



Dyson 14 Manual

The Unofficial Dyson DC07 Workshop Manual: All you need to know to perform any DIY repair to your Dyson DC07 Angus Black,2011-12-01 The unofficial Dyson DC07 workshop manual All you need to know to perform any DIY repair to your Dyson DC07 vacuum cleaner There is nothing that can go wrong with your Dyson DC07 which if you are practically inclined you cannot source the parts and repair yourself for a fraction of the cost of a new Dyson More importantly armed with this book you will have the information you need to get it right the first time and have your Dyson up and running again quickly without breaking the bank Everything is covered from filters and basic maintenance right through to a motor swap You will also learn where to buy special tools and how to troubleshoot a faulty machine Why pay excessive repair charges to vacuum cleaner engineers when you can do it yourself Repairing and extending the life of your Dyson is green It s a small cog in the large machine that is our future sustainability This book is unofficial That means it is not authorised approved or endorsed by Dyson Ltd

Dyson V7 Motorhead Cordless Stick Vacuum Cleaner, Fuchsia User's Manual Dyson Lineco 15eba,2019-05-23 Unofficial User Guide The Dyson V7 Moorhead cord free vacuum has 75 percent more brush bar power than the Dyson V6 cord free vacuum Engineered for all floor types the direct drive cleaner head drives bristles into the carpet to remove ground in dirt The Dyson V7 Moorhead cord free vacuum quickly transforms to a handheld for quick clean UPS spot cleaning and cleaning difficult places Cleans hard floors with extra power for carpets With 2 additional tools Up to 30 minutes of powerful fade free suction Trigger releases instantly Battery power is only used for cleaning The direct drive cleaner head drives bristles deep into the carpet to remove ground in dirt It has 75Percent more brush bar power than the Dyson V6 cord free vacuum Transforms to a handheld for beyond the floor cleaning Hygienic dirt ejector empties dust from the bin in a single action 2 tier radial tm cyclones 15 cyclones arranged across two tiers work in parallel to increase airflow and capture fine dust Max power mode provides up to 6 minutes of higher suction for more difficult tasks Balanced for cleaning up top down below and in between

User Guide [DC07] Dyson, Instruction manual for a vacuum cleaner

Sir George Dyson Paul Spicer, 2014 The story of a fascinating controversial man who influenced almost every sphere of musical life in Britain and helped to change the face of music performance and education in this country George Dyson 1883 1964 was a highly influential composer educator and administrator whose work touched the lives of millions Yet today apart from his Canterbury Pilgrims and two sets of canticles for Choral Evensong his music is little known In this comprehensive and detailed study based not only on Dyson's own writings but on unpublished papers personal correspondence and interviews with his family and friends Paul Spicer brings this remarkable man and his lyrical passionate and engaging music to life once more Born into a working class family in Halifax West Yorkshire he rose from humble beginnings to become the voice of public school music in Britain and Director of the RCM As a scholarship student he met and studied with some of the leading musicians of the day including Sir Charles Villiers Stanford and Sir Hubert Parry He went on to work in some of the country's greatest schools where he established his reputation as a composer particularly of choral and orchestral works of which *Quo Vadis* was his most ambitious A member of the BBC Brains Trust panel Dyson was also the voice of music on the radio for a number of years and helped to educate the nation through his regular broadcasts A fascinating controversial man George Dyson touched almost every sphere of musical life in Britain and helped to change the face of music performance and education in this country This seminal book examining every aspect of his long colourful career re-establishes him as the towering figure he undoubtedly was in his time PAUL SPICER was a composition student of Herbert Howells whose biography he wrote in 1998 He is well known as a choral conductor especially of British Music of the twentieth century onwards a writer composer teacher and producer

Manual Containing a Graded List of Eight Hundred of the Best Books for Children to be Found in the Library ... Dayton (Ohio). Public Library and Museum, 1912

Taylor's Manual of Physical Evaluation and Treatment Lyn Paul Taylor, 1990

Readers' Guide to Periodical Literature Anna Lorraine Guthrie, Bertha Tannehill, Neltje Marie Tannehill Shimer, 1919

Manual for Collaborative Organizational Assessment in Human Settlements Organizations David W. Tees, 1992

The Airway Manual Raveendra Shankaranarayana Ubaradka, Nishkarsh Gupta, Prasanna Udupi Bidkar, Debendra Kumar Tripathy, Anju Gupta, 2023-02-15 The book provides up to date and easy to understand information on airway management with special emphasis on practical management along with required theory background and key points It covers all aspects of airway management including education training audit controversies recent advances case discussion etc The book covers all the techniques of airway management like the use of video laryngoscopy fibre optic intubation and retrograde intubation Further the book includes a chapter on airway management during transmittable infectious diseases such as COVID 19 The book also includes separate chapters on the available guidelines discussion of interesting cases neonatal airway and out of hospital airway management The book is written by experienced authors keeping in mind the unique problems and situations related to this specialized and vital area of patient management It presents summary and key points in each chapter Overall this book provides practical specialty oriented and patient centered approach to airway management The book is a useful resource for postgraduate students residents and fellows in anesthesia emergency medicine critical care medicine It is also relevant for anesthesiologists intensivists emergency physicians and internal medicine physicians

Manual of Equine Lameness Gary M. Baxter, 2022-03-29 **MANUAL OF EQUINE LAMENESS** Discover a concise and accessible guide to diagnosing and managing lameness in horses The revised Second Edition of *Manual of Equine Lameness* offers a concise and accessible manual of lameness diagnosis and treatment in horses Perfect for use as a quick reference this book provides straightforward access to the essentials of equine lameness including the clinical assessment of the horse and commonly performed diagnostic nerve blocks and the most common conditions of the foot forelimb and hindlimb that may be contributing to the lameness Current therapeutic options to treat lameness are also discussed as well as guidance on how to manage musculoskeletal emergencies The content has been distilled from the authoritative Seventh Edition of Adams and Stashak's *Lameness in Horses* and this new edition has been re-envisioned to be even quicker and easier to navigate than the previous version Color photographs and illustrations support the text which presents lameness information most relevant to equine general practitioners mixed animal practitioners and veterinary students A companion website offers videos that focus on the clinical examination of the horse and select diagnostic blocks and relevant anatomy Diagnostic and treatment material has been revised from the previous edition to include the most up-to-date information Readers will find A thorough introduction to the assessment of the lame horse including history visual exam palpation subjective and objective assessments of lameness perineural anesthesia and intrasynovial anesthesia An exploration of common conditions of the foot including the navicular region and soft tissue injuries coffin joint and distal phalanx conditions and laminitis Discussions of the most common conditions of the forelimb including the pastern fetlock metacarpus metatarsus carpus antebrachium elbow and humerus as well as the shoulder and scapula Discussions of common conditions of the hindlimb and axial skeleton A review of therapeutic options to treat lameness conditions How to manage musculoskeletal emergencies in the horse Ideal for veterinary students early career equine practitioners and mixed animal veterinarians the Second Edition of *Manual of Equine Lameness* is an indispensable reference for any veterinarian seeking a concise one-stop reference for equine lameness

AAEVT's Equine Manual for Veterinary Technicians Martha Mallicote, Sheri Miller, Sally DeNotta, Deborah Reeder, 2022-10-17 **AAEVT's Equine Manual for Veterinary Technicians** Practical handbook on all aspects of veterinary care in horses relevant to veterinary technicians **AAEVT's Equine Manual for Veterinary Technicians** Second Edition offers a compendium of information on the care and treatment of horses for equine veterinary technicians building on the basics of equine care to provide a complete reference for equine nursing skills training and technical information The text is specifically geared toward those who already have basic equine knowledge and training and are looking to build upon their foundations Comprehensive yet accessible the new edition updates all medical procedural pharmaceutical equipment staffing and office management information Images also appear in full color throughout the book for the first time Chapters cover a variety of topics ranging from general horse management and nutrition to diagnostics and medical emergencies Charts tables and images support the text to aid in reader comprehension Sample topics covered in **AAEVT's Equine Manual for Veterinary Technicians** include General horse management equine nutrition applied anatomy and physiology equine reproduction and equine wellness programs Foal care equine pharmacology laboratory diagnosis in equine practice equine anesthesia surgical assistance and nursing care Technical procedures diagnostic procedures common equine medical emergencies equine physical rehabilitation equine behavior and equine office procedures An overall explanation of procedures and medical information regarding the care of horses in a clinic or ambulatory practice Highly accessible and easy to use **AAEVT's Equine Manual for Veterinary Technicians** Second Edition is an invaluable reference for qualified equine veterinary technicians and assistants particularly those earning their equine certification as well as vet tech students and equine practices

Clinical Guide to Musculoskeletal Palpation Masaracchio, Michael,Frommer, Chana,2014-05-08 Enhanced by photos and medical art that demonstrate palpation techniques of bony and soft tissue structures of the musculoskeletal system this text assists students and health care professionals in learning the surface palpation techniques required for working in the manual therapy professions

Readers' Guide to Periodical Literature ,1915

Bradshaw's Railway Manual, Shareholders' Guide and Official Directory ,1857

Hill's Manual of Social and Business Forms Thomas Edie Hill,1887

The Wheelchair Evaluation Mitch Batavia,2010-10-22 The Wheelchair Evaluation A Clinician s Guide Second Edition is an updated practical and concise reference on the wheelchair prescription process It s perfect for students and clinicians in the health fields who work with physically disabled individuals in need of a wheelchair This book is a portable hands on manual that implements a real world approach to patient evaluation choice of wheelchair components documentation and funding

Vacuum Manual L. Holland,J. Yarwood,W. Steckelmacher,1974

Designer's Color Manual Tom Fraser,Adam Banks,2004-07-08 The eye the camera s lens and the computer screen all treat color differently This important addition to the designer s reference library helps resolve the differences among the numerous media that contemporary designers work with every day Comprehensive in scope it brings together key elements of color theory practice and application addressing a wide range of issues specific to graphic design in both print and digital media Beyond step by step techniques for managing color in modern graphic design practice Designer s Color Manual also addresses topics which help designers understand color in a variety of disciplines looking at historical color systems color in art and the psychology of color among dozens of other topics Author and designer Tom Fraser also takes other graphics related practices into account interior design digital rendering packaging and merchandise design aiding the designer in mastering the far reaching effects of color in almost any project Heavily illustrated with over 1 000 color images Designer s Color Manual addresses an area that s been gray for too long in the full color world of contemporary design

Laboratory Guide for Conducting Soil Tests and Plant Analysis Jr., J. Benton Jones,2001-06-28 With the help of this guide you can use obtained test results to evaluate the fertility status of soils and the nutrient element status of plants for crop production purposes It serves as an instructional manual on the techniques used to perform chemical and physical characteristic tests on soils Laboratory Guide for Conducting Soil Tests and PI

Osteopathic and Chiropractic Techniques for Manual Therapists Giles Gyer,Jimmy Michael,Ricky Davis,2017-07-21 The first book ever to bring together the best techniques from chiropractic and osteopathy this easy to use guide is necessary reading for any manual therapist wishing to hone their skills and discover related techniques that will enhance their practice Offering practical step by step instruction on how to treat a full scope of musculoskeletal conditions this duo disciplinary guide draws on current anatomical and physiological research to bring all the most advanced and adaptive manipulation therapy techniques to your fingertips Providing a brief history of the two central branches of manual therapy it gives a valuable insight into how manipulation therapists can benefit from sharing ideas and integrating versatile techniques across practices before providing clear illustrated references for how to apply the methods on specific sections of the body Demonstrating how to relieve common ailments recognise contraindications and take excellent safety precautions this is the ideal companion for practitioners and students of manipulation therapy for the whole body

Recognizing the exaggeration ways to get this ebook **Dyson 14 Manual** is additionally useful. You have remained in right site to start getting this info. acquire the Dyson 14 Manual link that we provide here and check out the link.

You could purchase lead Dyson 14 Manual or get it as soon as feasible. You could quickly download this Dyson 14 Manual after getting deal. So, in the same way as you require the books swiftly, you can straight get it. Its appropriately utterly simple and appropriately fats, isnt it? You have to favor to in this tell

https://offsite.creighton.edu/files/scholarship/HomePages/list_of_hebrew_words.pdf

https://offsite.creighton.edu/files/scholarship/HomePages/List_Of_Parables_And_Their_Meanings_Pdf.pdf

<https://offsite.creighton.edu/files/scholarship/HomePages/Lonely%20Planet%20Colombia.pdf>

Table of Contents Dyson 14 Manual

1. Understanding the eBook Dyson 14 Manual
 - The Rise of Digital Reading Dyson 14 Manual
 - Advantages of eBooks Over Traditional Books
2. Identifying Dyson 14 Manual
 - Exploring Different Genres
 - Considering Fiction vs. Non-Fiction
 - Determining Your Reading Goals
3. Choosing the Right eBook Platform
 - Popular eBook Platforms
 - Features to Look for in an Dyson 14 Manual
 - User-Friendly Interface
4. Exploring eBook Recommendations from Dyson 14 Manual
 - Personalized Recommendations
 - Dyson 14 Manual User Reviews and Ratings
 - Dyson 14 Manual and Bestseller Lists
5. Accessing Dyson 14 Manual Free and Paid eBooks
 - Dyson 14 Manual Public Domain eBooks

- Dyson 14 Manual eBook Subscription Services
- Dyson 14 Manual Budget-Friendly Options
- 6. Navigating Dyson 14 Manual eBook Formats
 - ePub, PDF, MOBI, and More
 - Dyson 14 Manual Compatibility with Devices
 - Dyson 14 Manual Enhanced eBook Features
- 7. Enhancing Your Reading Experience
 - Adjustable Fonts and Text Sizes of Dyson 14 Manual
 - Highlighting and Note-Taking Dyson 14 Manual
 - Interactive Elements Dyson 14 Manual
- 8. Staying Engaged with Dyson 14 Manual
 - Joining Online Reading Communities
 - Participating in Virtual Book Clubs
 - Following Authors and Publishers Dyson 14 Manual
- 9. Balancing eBooks and Physical Books Dyson 14 Manual
 - Benefits of a Digital Library
 - Creating a Diverse Reading Collection Dyson 14 Manual
- 10. Overcoming Reading Challenges
 - Dealing with Digital Eye Strain
 - Minimizing Distractions
 - Managing Screen Time
- 11. Cultivating a Reading Routine Dyson 14 Manual
 - Setting Reading Goals Dyson 14 Manual
 - Carving Out Dedicated Reading Time
- 12. Sourcing Reliable Information of Dyson 14 Manual
 - Fact-Checking eBook Content of Dyson 14 Manual
 - Distinguishing Credible Sources
- 13. Promoting Lifelong Learning
 - Utilizing eBooks for Skill Development
 - Exploring Educational eBooks

14. Embracing eBook Trends

- Integration of Multimedia Elements
- Interactive and Gamified eBooks

Dyson 14 Manual Introduction

Free PDF Books and Manuals for Download: Unlocking Knowledge at Your Fingertips In today's fast-paced digital age, obtaining valuable knowledge has become easier than ever. Thanks to the internet, a vast array of books and manuals are now available for free download in PDF format. Whether you are a student, professional, or simply an avid reader, this treasure trove of downloadable resources offers a wealth of information, conveniently accessible anytime, anywhere. The advent of online libraries and platforms dedicated to sharing knowledge has revolutionized the way we consume information. No longer confined to physical libraries or bookstores, readers can now access an extensive collection of digital books and manuals with just a few clicks. These resources, available in PDF, Microsoft Word, and PowerPoint formats, cater to a wide range of interests, including literature, technology, science, history, and much more. One notable platform where you can explore and download free Dyson 14 Manual PDF books and manuals is the internet's largest free library. Hosted online, this catalog compiles a vast assortment of documents, making it a veritable goldmine of knowledge. With its easy-to-use website interface and customizable PDF generator, this platform offers a user-friendly experience, allowing individuals to effortlessly navigate and access the information they seek. The availability of free PDF books and manuals on this platform demonstrates its commitment to democratizing education and empowering individuals with the tools needed to succeed in their chosen fields. It allows anyone, regardless of their background or financial limitations, to expand their horizons and gain insights from experts in various disciplines. One of the most significant advantages of downloading PDF books and manuals lies in their portability. Unlike physical copies, digital books can be stored and carried on a single device, such as a tablet or smartphone, saving valuable space and weight. This convenience makes it possible for readers to have their entire library at their fingertips, whether they are commuting, traveling, or simply enjoying a lazy afternoon at home. Additionally, digital files are easily searchable, enabling readers to locate specific information within seconds. With a few keystrokes, users can search for keywords, topics, or phrases, making research and finding relevant information a breeze. This efficiency saves time and effort, streamlining the learning process and allowing individuals to focus on extracting the information they need. Furthermore, the availability of free PDF books and manuals fosters a culture of continuous learning. By removing financial barriers, more people can access educational resources and pursue lifelong learning, contributing to personal growth and professional development. This democratization of knowledge promotes intellectual curiosity and empowers individuals to become lifelong learners, promoting progress and innovation in various fields. It is worth noting that while accessing free

Dyson 14 Manual PDF books and manuals is convenient and cost-effective, it is vital to respect copyright laws and intellectual property rights. Platforms offering free downloads often operate within legal boundaries, ensuring that the materials they provide are either in the public domain or authorized for distribution. By adhering to copyright laws, users can enjoy the benefits of free access to knowledge while supporting the authors and publishers who make these resources available. In conclusion, the availability of Dyson 14 Manual free PDF books and manuals for download has revolutionized the way we access and consume knowledge. With just a few clicks, individuals can explore a vast collection of resources across different disciplines, all free of charge. This accessibility empowers individuals to become lifelong learners, contributing to personal growth, professional development, and the advancement of society as a whole. So why not unlock a world of knowledge today? Start exploring the vast sea of free PDF books and manuals waiting to be discovered right at your fingertips.

FAQs About Dyson 14 Manual Books

How do I know which eBook platform is the best for me? Finding the best eBook platform depends on your reading preferences and device compatibility. Research different platforms, read user reviews, and explore their features before making a choice. Are free eBooks of good quality? Yes, many reputable platforms offer high-quality free eBooks, including classics and public domain works. However, make sure to verify the source to ensure the eBook credibility. Can I read eBooks without an eReader? Absolutely! Most eBook platforms offer webbased readers or mobile apps that allow you to read eBooks on your computer, tablet, or smartphone. How do I avoid digital eye strain while reading eBooks? To prevent digital eye strain, take regular breaks, adjust the font size and background color, and ensure proper lighting while reading eBooks. What the advantage of interactive eBooks? Interactive eBooks incorporate multimedia elements, quizzes, and activities, enhancing the reader engagement and providing a more immersive learning experience. Dyson 14 Manual is one of the best book in our library for free trial. We provide copy of Dyson 14 Manual in digital format, so the resources that you find are reliable. There are also many Ebooks of related with Dyson 14 Manual. Where to download Dyson 14 Manual online for free? Are you looking for Dyson 14 Manual PDF? This is definitely going to save you time and cash in something you should think about. If you trying to find then search around for online. Without a doubt there are numerous these available and many of them have the freedom. However without doubt you receive whatever you purchase. An alternate way to get ideas is always to check another Dyson 14 Manual. This method for see exactly what may be included and adopt these ideas to your book. This site will almost certainly help you save time and effort, money and stress. If you are looking for free books then you really should consider finding to assist you try this. Several of Dyson 14 Manual are for sale to free while some are payable. If

you arent sure if the books you would like to download works with for usage along with your computer, it is possible to download free trials. The free guides make it easy for someone to free access online library for download books to your device. You can get free download on free trial for lots of books categories. Our library is the biggest of these that have literally hundreds of thousands of different products categories represented. You will also see that there are specific sites catered to different product types or categories, brands or niches related with Dyson 14 Manual. So depending on what exactly you are searching, you will be able to choose e books to suit your own need. Need to access completely for Campbell Biology Seventh Edition book? Access Ebook without any digging. And by having access to our ebook online or by storing it on your computer, you have convenient answers with Dyson 14 Manual To get started finding Dyson 14 Manual, you are right to find our website which has a comprehensive collection of books online. Our library is the biggest of these that have literally hundreds of thousands of different products represented. You will also see that there are specific sites catered to different categories or niches related with Dyson 14 Manual So depending on what exactly you are searching, you will be able to choose ebook to suit your own need. Thank you for reading Dyson 14 Manual. Maybe you have knowledge that, people have search numerous times for their favorite readings like this Dyson 14 Manual, but end up in harmful downloads. Rather than reading a good book with a cup of coffee in the afternoon, instead they juggled with some harmful bugs inside their laptop. Dyson 14 Manual is available in our book collection an online access to it is set as public so you can download it instantly. Our digital library spans in multiple locations, allowing you to get the most less latency time to download any of our books like this one. Merely said, Dyson 14 Manual is universally compatible with any devices to read.

Find Dyson 14 Manual :

[list of hebrew words](#)

list of parables and their meanings pdf

[lonely planet colombia](#)

[little victories chicago](#)

[love freedom aloneness](#)

[love songs about moon and stars](#)

[lucky cat names](#)

[lufthansa flight management](#)

locker room layouts

libro de recuerdos

[lombardini diesel engine](#)

loan letter format

littlest pet shop colouring sheets

lost gold mines of arizona

liz the fitt

Dyson 14 Manual :

corse 2018 carnet petit futa c carnet de voyage 2023 - Sep 02 2022

web 2 corse 2018 carnet petit futa c carnet de voyage 2022 08 29 she d risked everything for a black eyed gypsy who left her brokenhearted now he stands before her dark virile and ready to escort her on a journey to find the truth about her heritage leaving eleven years ago should have given taliesin freedom

download solutions corse 2018 carnet petit futa c carnet de voyage - Sep 14 2023

web vacances et de voyage carnet de voyage et carnet de voyage pour la planification et l enregistrement des expériences et des lieux de votre voyage le carnet de voyage est un carnet idéal pour les voyages et les vacances format pratique 13 9 x 24 6 cm env din a5 idéal pour votre sac à dos mais aussi à la maison

corse 2018 carnet petit futa c carnet de voyage pdf patrick - Mar 28 2022

web jun 4 2023 yvain chretien de troyes 1987 09 10 a twelfth century poem by the creator of the arthurian romance describes the courageous exploits and triumphs of a brave lord who tries to win back his deserted wife s love junior theory level 1 joyce ong 2011 01 01 junior theory level 1 a foundational music theory book specifically designed for

corse 2016 carnet petit futa c carnet de voyage download - Jun 30 2022

web 2 corse 2016 carnet petit futa c carnet de voyage 2023 06 08 islam islamic cultures of knowledge media and literature and current societal processes diese festschrift für reinhard schulze widmet sich einem lebenssthemata des jubilarers nämlich der beziehung von islam und moderne die beiträge reflektieren

guide corse 2018 carnet petit futa c cyberlab sutd edu sg - May 30 2022

web guide corse 2018 carnet petit futa c modern times sep 03 2023 originally published in 1983 and named one of the best books of the year by the new york times this bestselling history is now revised and updated and includes a new final chapter a far reaching and masterful work it explores the events ideas and personalities of the seven

carnets de voyage en corse voyageforum - Nov 04 2022

web oct 28 2023 nous avons passé 16 jours en corse en octobre 2019 au départ de la ville de québec canada voici le carnet de voyage produit un peu tardivement mais mieux vaut tard que jamais comme dit l adagej l itinéraire était le suivant j1 2 québec montréal mars carnets de voyage france corse 35

[corse 2018 carnet petit futa c carnet de voyage copy](#) - Jun 11 2023

web corse 2018 carnet petit futa c carnet de voyage downloaded from mail lafamigliawv com by guest sidney obrien
overcoming school refusal australian academic press piet mondrian was one of the great pioneers of abstract art this book looks at the relationship between his paintings and his theories on art conran

guide petit fute carnets de voyage cultura - Feb 24 2022

web guide petit fute carnets de voyage corée du sud édition 2023 par collectif petit futé aux éditions le petit fute le carnet de voyage sur la corée du sud a un format très pratique et une nouvelle maquette faisant la part belle aux photos

[corse 2018 carnet petit futa c carnet de voyage pdf](#) - Oct 15 2023

web corse 2018 carnet petit futa c carnet de voyage cap vert 2017 2018 carnet petit futé feb 01 2021 un nouveau format très pratique et une nouvelle maquette est lancé pour la collection carnets de voyage destinés à tous les voyageurs qui partent en courts séjours et recherchent un guide complet au meilleur prix richement

corse 2018 carnet petit futa c carnet de voyage stage gapinc - Dec 05 2022

web corse 2018 carnet petit futa c carnet de voyage downloaded from stage gapinc com by guest aniyah mata handbook of child sexual abuse john wiley sons in the third in katharine ashe s prince catchers series the eldest of three very different sisters must fulfill a prophecy to discover their birthright

corse 2018 carnet petit futé carnet de voyage by dominique - Oct 03 2022

web sep 8 2023 april 30th 2020 carnet de griffonnage les lettres enluminees music for study 3rd edition code penal 2018 prix de lancement jusqu'au 31 12 2017 52 00 a pter du 01 01 2018 stockholm 2018 2019 petit fute yesterdays sky astrology and reincarnation english rhur impacthub net 2 5

[guide petit fute carnets de voyage corse édition](#) - Apr 09 2023

web oct 8 2023 guide petit fute carnets de voyage corse édition 2023 par collectif petit futé aux éditions le petit fute le carnet de voyage sur la corse a un format très pratique et une nouvelle maquette faisant la part belle aux photos destiné à tous les voyageurs qui partent e

corse 2016 carnet petit futa c carnet de voyage hans de beer - Apr 28 2022

web each success next door to the message as capably as insight of this corse 2016 carnet petit futa c carnet de voyage can be taken as without difficulty as picked to act a storybook life philip lorca dicorcia 2003 the disparate photographs assembled here were made over the course of twenty years none of

[ebook corse 2018 carnet petit futa c carnet de voyage](#) - Jan 06 2023

web carnet de voyage may 01 2022 ceci est un carnet journal de voyage c est votre outil idéal pour organiser votre voyage avec différentes check listes telle que les bagages vêtements chose à faire avant de partir documents lieux à visiter etc vous

pouvez également prendre des notes pendant votre voyage et créez des

corse 2018 carnet petit futa c carnet de voyage download - Aug 13 2023

web corse 2018 carnet petit futa c carnet de voyage 1 omb no corse 2018 carnet petit futa c carnet de voyage carnet d esquisses et de croquis no 18 petit prelude de la mort de monsieur mouche corse les carnets de julie minimaliste sauf sur les carnets carnet de coloriage by clairefontaine coloring book review book review liege

corse 2016 carnet petit futa c carnet de voyage pdf - Jul 12 2023

web corse 2016 carnet petit futa c carnet de voyage pdf introduction corse 2016 carnet petit futa c carnet de voyage pdf download only code of federal regulations title 40 protection of environment pt 52 sec 52 01 52 1018 revised as of july 1 2008 [corse 2018 carnet petit futa c carnet de voyage full pdf](#) - Feb 07 2023

web corse 2018 carnet petit futa c carnet de voyage islam in west africa jun 16 2021 trees and forests wild wonders of europe may 08 2023 all the photographs in this book were taken by photographers affiliated with wild wonders of europe the largest photography centered nature conservation project ever undertaken jacket flap

corse 2018 carnet petit futa c carnet de voyage pdf - May 10 2023

web corse 2018 carnet petit futa c carnet de voyage 3 3 international human rights developments twelve years a slave new world library this addition to the michelin green guide series provides travellers with a comprehensive guide to the cultural and natural highlights of paris the guide also includes hotel and restaurant selections islam in

[corse 2018 carnet petit futa c carnet de voyage book](#) - Aug 01 2022

web corse 2018 carnet petit futa c carnet de voyage corse 2018 carnet petit futa c carnet de voyage 2 downloaded from pivotid uvu edu on 2019 04 16 by guest tests psychobook includes never before seen content from long hidden archives as well as reimagined tests from contemporary artists and writers to try out yourself at home or at

read free corse 2018 carnet petit futa c carnet de voyage - Mar 08 2023

web begin getting this info acquire the corse 2018 carnet petit futa c carnet de voyage link that we have the funds for here and check out the link you could purchase guide corse 2018 carnet petit futa c carnet de voyage or acquire it as soon as feasible you could speedily download this corse 2018 carnet petit futa c carnet de voyage after

citroën berlingo review 2023 what car - Jun 13 2023

web may 6 2021 read the definitive citroën berlingo 2023 review from the expert what car team check specs prices performance and compare with similar cars

citroen berlingo review 2023 autocar - May 12 2023

web jan 11 2019 a little over two decades and 1 7 million vehicles ago citroën invented a brand new class of affordable van based mpv called berlingo it was compact simple and flexible designed to

citroen berlingo mpv updated for 2021 with more technology - Feb 09 2023

web aug 5 2021 citroen has updated the berlingo range for 2021 by adding a little more technology and simplifying the mpv s line up the revised people carrier will go on sale in october this year with

citroën berlingo mpv review 2023 carbuyer - Aug 03 2022

web apr 4 2023 citroën citroën berlingo mpv review the citroen berlingo mpv was very no frills before but now has a surprisingly nice interior lots of kit and citroen s latest safety features by

used citroen berlingo xtr multispace auto trader - Nov 06 2022

web used citroen berlingo xtr multispace with 14 used citroen berlingo xtr multispace cars available on auto trader we have the largest range of cars for sale available across the uk used citroen berlingo xtr multispace cars in stock

citroën berlingo family mpv citroën uk - Jun 01 2022

web citroën berlingo ë berlingo electric has been specially designed to offer all its occupants exceptional comfort and peace of mind thanks to its advanced windscreen its large 360 glass surface and its panoramic roof cost option on m ë berlingo flair xtr versions which can be concealed with an electric blind the interior is flooded

citroen berlingo multispace 2008 2018 review 2023 autocar - Mar 10 2023

web feb 5 2012 entry level berlingo multispaces come with a 93bhp 1 6 litre petrol engine or the perky 108bhp turbocharged 1 2 litre puretech unit although most buyers will rightly plump for a diesel there s

used citroen berlingo xtr cars for sale autotrader uk - Apr 30 2022

web citroen berlingo multispace e hdi airdream xtr egs 1 6 5dr 9 495 good price 20 video citroen berlingo citroen berlingo multispace diesel mpv 1 6 hdi xtr 5dr manual 5 999 great price

used citroen berlingo multispace mk2 2008 2018 review - Sep 04 2022

web apr 28 2022 the entry level berlingo multispace vti has everything that you need standard kit includes a cd and tuner remote central locking electric front windows plus heated and power adjustable

2020 citroen berlingo mpv review why it s the best mpv on youtube - Apr 11 2023

web dec 27 2018 257k views 4 years ago for years the citroen berlingo has given no frills practical motoring to cost conscious families all wrapped up in a package with efficient engines and a bewildering

citroën berlingo ailenize en uygun otomobil modelleri - Aug 15 2023

web citroën berlingo xtr opsiyonel olarak sunulan xtr paket ile birlikte canlı turuncu renk detaylar sunuluyor kontrastlı oniks siyah kapı aynaları gövde rengindeki koruyucu kaplamalar ve turuncu şeritli iç ambiyans dikkat çekici bir görünüm sergiliyor

citroen brings back petrol and diesel berlingo mpv due to demand - Dec 07 2022

web mar 15 2023 citroen berlingo multispace 1 6 e hdi airdream xtr multispace mpv egs6 euro 5 s s 5dr

[citroen berlingo multispace 2008 2012 used car review](#) - Jul 02 2022

web generally speaking citroen s berlingo multispace doesn't go to the lengths of other mpvs to maximise space but that's only because it has so much of it in the first place models 5dr mpv 1.4 1.6 petrol 1.6 hdi diesel vt vtr xtr

[2011 citroen berlingo multispace xtr hdi youtube](#) - Feb 26 2022

web 238 subscribers subscribe 39 views 8 years ago 2011 citroen berlingo multispace xtr hdi mpv multi purpose vehicle diesel in aluminium silver

[citroen berlingo long term test 2022 review car magazine](#) - Jul 14 2023

web jan 17 2022 logbook citroen berlingo xtr price 29 150 31 445 as tested performance 1199cc turbocharged three cylinder 129bhp 12.3sec 0-62mph 124mph

[citroën berlingo wikipedia](#) - Jan 08 2023

web the citroën berlingo and peugeot partner are a range of multi purpose vehicles produced by the psa group and later by stellantis they are sold both as panel vans for use as commercial vehicles and as a passenger variant with rear seats and windows

hdi 75 attraction berlingo multispace citroen mtv - Jan 28 2022

web citroen markası ve berlingo multispace modeli olan aracınızın motorlu taşıtlar vergisi görüntüleyebilirsiniz 2022 vergi dönemi için citroen berlingo multispace türündeki hdi 75 attraction özelliklerine sahip aracınızın üretim yılına göre mtv hesabını yapabilirsiniz

[berlingo multispace citroen araç markaları mtv](#) - Dec 27 2021

web citroen berlingo multispace türündeki aracınızın motor türü ve üretim yılına göre mtv hesabını yapabilirsiniz motorlu taşıtlar vergisi mtv hesaplama takvim markalar citroen berlingo multispace vti 95 attraction

hdi 115 exclusive berlingo multispace citroen mtv - Mar 30 2022

web citroen markası ve berlingo multispace modeli olan aracınızın motorlu taşıtlar vergisi görüntüleyebilirsiniz citroen berlingo multispace türündeki hdi 115 exclusive özelliklerine sahip aracınızın üretim yılına göre mtv hesabını yapabilirsiniz

citroën berlingo multispace specs dimensions facts figures - Oct 05 2022

web with the help of parkers you can find out all of the key specs about the citroën berlingo multispace from fuel efficiency in mpg and top speed in mph to running costs dimensions data and lots more we have the most comprehensive specifications available online older models mpv 1 model 2008 2018

[chair de poule horrorland n 5 l abominable doc maniac by r l](#) - Sep 03 2022

web may 17 2023 chair de poule horrorland 5 l abominable doc maniac fr chair de poule horrorland livres chair de poule 2 les fantmes d halloween film 2018 chair

chair de poule horrorland n 5 l abominable ma r l stine copy - Nov 05 2022

web may 22 2023 scholastic by the master of kid horror r l stine chair de poule horrorland n 5 l abominable doc maniac de r l stine 1 septembre 2010 1 7 sur 5 étoiles 2 broché

[chair de poule horrorland n 5 l abominable doc ma pdf](#) - Feb 25 2022

web sa mère est assistante adjointe dans une école et vient de commencer un nouveau travail zach a beaucoup de mal à se faire à cette nouvelle vie heureusement il finit par se

[chair de poule films tous publics](#) - Nov 24 2021

I abominable doc maniac horrorland n 5 chair de poule - Apr 10 2023

web chair de poule horrorland n 5 l abominable doc ma chair de poule horrorland n 5 l abominable doc ma 2 downloaded from old restorativejustice org on 2023 01 18 by

chair de poule horrorland n 5 l abominable doc ma r l stine - Jan 07 2023

web jan 6 2023 chair de poule horrorland n 5 l abominable doc maniac r l stine 2010 09 robby publie chaque jour une bande dessinée sur le web mettant en vedette

[chair de poule horrorland n 5 l abominable doc ma pdf](#) - Aug 02 2022

web may 30 2023 for chair de poule horrorland n 5 l abominable doc maniac by r l stine and countless books gatherings from fictions to scientific examinationh in any way you could

chair de poule horrorland n 5 l abominable doc maniac by r l - Sep 22 2021

chair de poule horrorland les 19 livres de la série - Feb 08 2023

web chair de poule horrorland n 5 l abominable doc maniac french edition by stine r l isbn 10 1443103772 isbn 13 9781443103770 scholastic 2010 softcover

chair de poule horrorland tome 5 l abominable doc maniac - Jun 12 2023

web sep 1 2010 chair de poule horrorland n 5 l abominable doc maniac french edition stine r l on amazon com free shipping on qualifying offers chair de

translation of la chair de poule in english reverso context - Dec 26 2021

web may 29 2023 the elements by securing the digital documents of this chair de poule horrorland n 5 l abominable doc maniac by r l stine by online it will enormously

chair de poule horrorland n 5 l abominable doc ma r l stine - Mar 09 2023

web them is this chair de poule horrorland n 5 l abominable doc ma that can be your partner welcome to camp slither

goosebumps horrorland 9 r l stine 2015 02

chair de poule horrorland n 5 l abominable doc maniac - May 11 2023

web noté 5 retrouvez l abominable doc maniac horrorland n 5 chair de poule et des millions de livres en stock sur amazon fr achetez neuf ou d occasion

chair de poule horrorland n 5 l abominable doc ma - Oct 24 2021

chair de poule le film film 2015 allociné - Jan 27 2022

web may 11 2023 chair de poule horrorland n 5 l abominable doc ma recognizing the pretension ways to get this books chair de poule horrorland n 5 l abominable doc ma

chair de poule horrorland n 5 l abominable doc maniac by r l - Jul 01 2022

web chair de poule horrorland n 5 l abominable doc ma my friends call me monster goosebumps horrorland 7 revenge of the living dummy goosebumps

chair de poule horrorland n 5 l abominable doc maniac - Aug 14 2023

web chair de poule horrorland n 5 l abominable doc maniac r l stine 3 60 1 416 ratings112 reviews want to read buy on amazon rate this book see below for english

youtube - Mar 29 2022

web Ça me donne la chair de poule that s giving me goose bumps entendre ça m a donné la chair de poule i got goosebumps listening to that j ai la chair de poule les amis i

chair de poule horrorland n 5 l abominable doc maniac by r l - May 31 2022

web enjoy the videos and music you love upload original content and share it all with friends family and the world on youtube

chair de poule horrorland n 5 l abominable doc ma pdf - Apr 29 2022

web jun 5 2023 horrorland n 5 l abominable doc ma for that reason simple night of the living dummy ii r l stine 1996 slappy the demonic ventriloquist dummy comes to the

chair de poule horrorland n 5 l abominable doc ma pdf wiki - Oct 04 2022

web chair de poule horrorland n 5 l abominable doc ma 5 5 reçoivent une mystérieuse invitation un séjour gratuit dans le célèbre parc d attraction horrorland sur place les

chair de poule horrorland n 5 l abominable doc maniac - Dec 06 2022

web horrorland 9 return to horrorland chair de poule horrorland n 5 l abominable doc maniac the scream of the haunted mask the wizard of ooze goosebumps

horrorland 5 l abominable doc maniac chair de - Jul 13 2023

web découvrez le livre chair de poule horrorland tome 5 l abominable doc maniac lu par 44 membres de la communauté
booknode 3 commentaires et 3 extraits cinenode