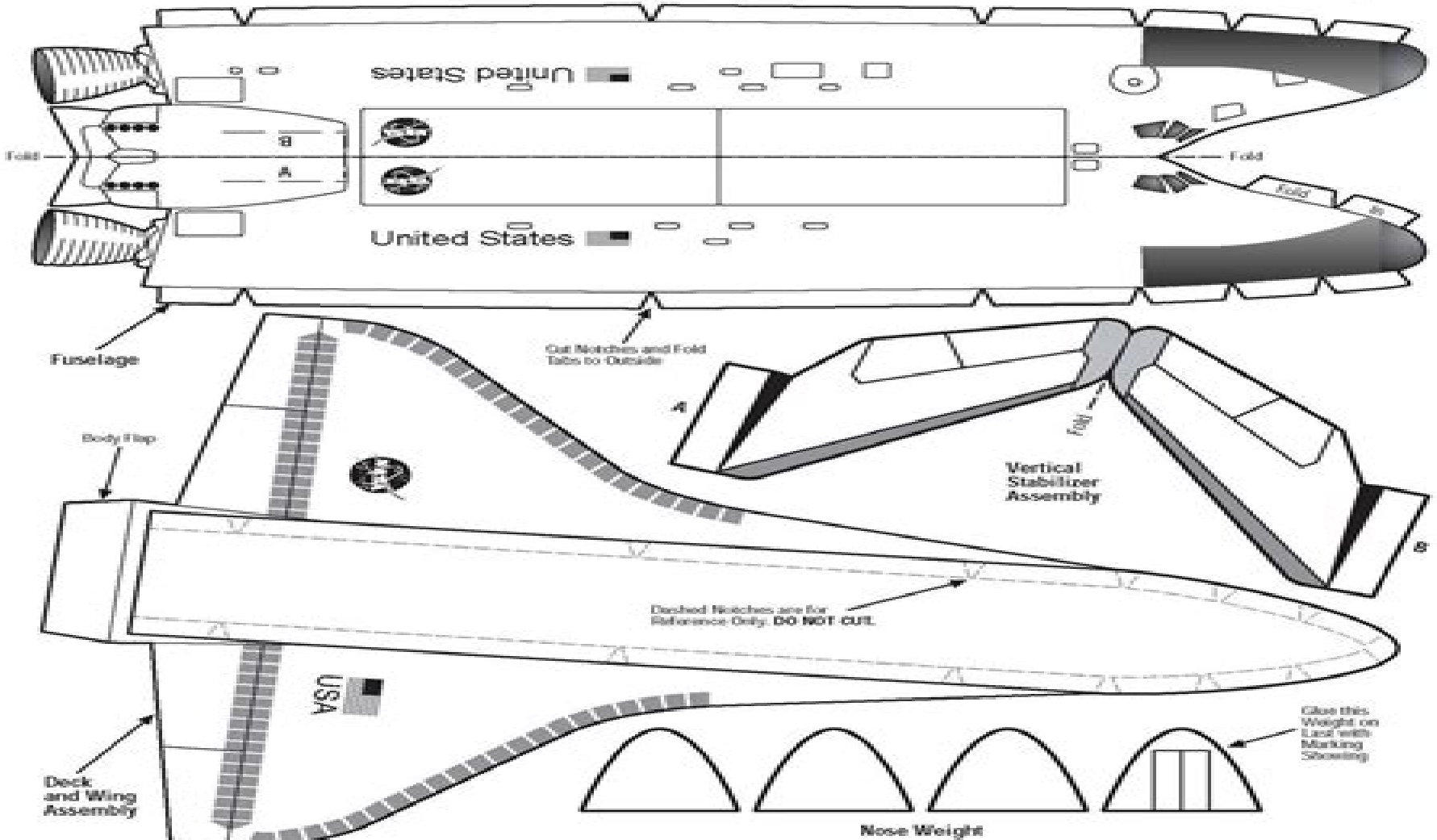
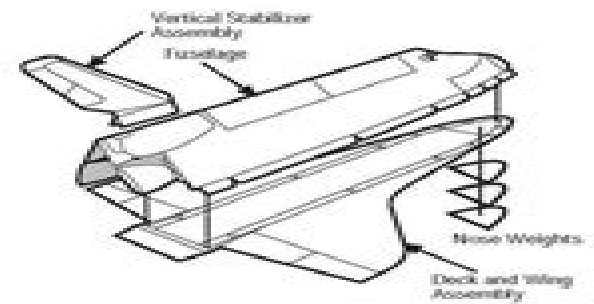


Assembly Instructions (Read carefully before assembly.)

1. Cut out all parts using scissors.
2. Cut out V-shaped notches on Fuselage to create tabs along outside edge. Fold tabs out.
3. Glue or tape three Nose Weights to underside of glider nose. Use the fourth weight provided if needed for extra trim after assembly.
4. Fold Fuselage along middle line.
5. Starting at the nose, glue or tape fuselage to Deck and Wing Assembly. Match tabs on Fuselage exactly to those two halves together using tabs provided.
6. To close the nose, glue or tape the two halves together using tabs provided.
7. Fold Vertical Stabilizer Assembly. Fold out tabs A and B. Except for tabs A and B, glue or tape Vertical Stabilizer Assembly to make one solid piece.
8. Attach Vertical Stabilizer to Fuselage, matching tab A with point A and tab B with point B.

Preflight Instructions

For the best results, launch your glider with a gentle level toss. Bend the Body Flap for slightly greater lift.



Paper Space Shuttle Template

**United States. National Aeronautics
and Space Administration. Office of
Public Affairs**



Paper Space Shuttle Template

Make Your Own 3D Paper Model of Space Shuttle Tadeusz Michalak,1999 *The Space Shuttle, Its Story and how to Make a Flying Paper Model* Frank Ross, Frank Xavier Ross,1979 An introduction to the space shuttle its history the construction of its major systems a typical mission and what it means in terms of future space travel Includes instructions for making a simple flying paper model of the spacecraft

Paper Space Craft Carmel D. Morris,2011-09 Paper aircraft brought to new heights Fold and fly fantastic paper space craft models such as the Millennium Falcon X Wings Origami Cylon warships and more The most original paper aircraft book in the universe build these 16 models from simple to moderately complex Simple Flying Saucer U Wing Early Warp Drive Craft Rocket Glider Space Shuttle MKII UFO CFO Crazy Flying Object Two In One Rocket Space Shuttle MKIII Lunar Lander Simple H Wing Cruiser Bow TIE Fighter Star Orbiter Cigar Shaped UFO Cylon Warship X Wing Fighter Star Blazer Star Fighter Millennium Falcon MKII Stealth Wing Written by a mad scientist electric car builder and best selling author of over 35 books including *Advanced Paper Aircraft Volumes 1 2 and 3* Harper Collins *Fold Your Own Jumbo Aircraft* Harper Angus Robertson and *The Best Paper Aircraft* Putnam this book is now available in this handy compact paperback to take anywhere Her paper aircraft books have sold hundreds of thousands worldwide and you can see why these models rock Full instructions and folding diagrams are provided with introduction by retired hard hitting military commander Dwight Edwards Got the right stuff This book is for you 16 models with instructions many fold only some models are cut some use more than one piece of paper Not only do they look cool unlike similar books these models also fly

Space Shuttle Missions Summary (NASA/TM-2011-216142) Robert D. Legler, Floyd V. Bennett,2011-09-01 Full color publication This document has been produced and updated over a 21 year period It is intended to be a handy reference document basically one page per flight and care has been exercised to make it as error free as possible This document is basically as flown data and has been compiled from many sources including flight logs flight rules flight anomaly logs mod flight descent summary post flight analysis of mps propellants FDRD FRD SODB and the MER shuttle flight data and inflight anomaly list Orbit distance traveled is taken from the PAO mission statistics

Astronaut Future Star Space Shuttle Pexfri Publishing,2020-02-28 Spacemen are the future stars of our world They know everything about science regarding space travels planets and moons college ruled white paper 120 pages matte cover soft cover paperback

Space Shuttle Projects Overview to Columbia Air Forces War College National Aeronautics and Space Administration (NASA),2018-06-16 This paper presents in viewgraph form a general overview of space shuttle projects Some of the topics include 1 Space Shuttle Projects 2 Marshall Space Flight Center Space Shuttle Projects Office 3 Space Shuttle Propulsion systems 4 Space Shuttle Program Major Sites 5 NASA Office of Space flight OSF Center Roles in Space Shuttle Program 6 Space Shuttle Hardware Flow and 7 Shuttle Flights To Date Singer Jody and McCool Alex Technical Monitor

Marshall Space Flight Center [Meeting Paper Archive](#) ,1971 **Space Shuttle** United States. National Aeronautics and Space Administration. Office of Public Affairs,1972 [Design & Fly Paper Airplanes](#) ,2003 An interactive art ROM program featuring project templates picture tools save and print functions and over 100 images accessories and slogans to customize your projects **Children's Deep Space Birthday Party Kit and Party Games** SimpliFun Studios,2004 Give a Great Child s Birthday Party Without Knocking Yourself Out Even the Host Has a Great Time with Printable Party Kits Wondering how to entertain those children ages 5 to 10 coming to your home We can make you the perfect host in less than ten minutes from now The Deep Space Theme Printable Party Kit is filled with invitations party games room decorations thank you cards T shirt iron ons and contains detailed step by step instructions on how to be the perfect host keeping the fun and laughs coming pouring on the imagination while tickling everybody s funny bone The moment you place your order you ll be able to print your needed party materials All you need is a color printer and you can easily host a SimpliFun party You can even add your own child s name and party information for personalized invitations Star Wars fans our Deep Space Party is filled with lots of fun games Your party starts by giving the arriving astronauts their name tags and assigned positions such as Pilot and Flight Director They ll need them when they play Shuttle to Mars Other games include Rocket Launches One Armed Aliens Landing on Mars and the Moon Walk Relay Our exclusive instructions for a space shuttle cake make you a successful host You add your guests and food then have fun yourself The easy to follow ideas are simple and economical enough for any party planner but definitely fun for children Created by SimpliFun Studios because there s more to a party than just eating cake

3d Paper Airplane Template Tom Beckett, **Space Flyers Paper Airplane Book** Jeff Lammers,Ken Blackburn,2017-10-03 Welcome to the world of miniature aviation intergalactic style It s entertainment on the fly for the office backyard classroom don t get caught or anywhere there might be a party featuring 12 Lilliputian size models that create 63 planes altogether From the Dynamo to the Alien Clipper Cosmojet to the Spectre these intergalactic flyers are vibrantly colored and gorgeously designed to resemble various spacecraft Fold up the straight shooting Star Quest and an Aerobot that s part spaceship part robot Includes step by step folding instructions and tips on how to send each plane soaring at its full aerodynamic potential **Space Shuttle** ,1992 [Space Shuttle Project Journal](#) SoThere Space,2018-11-29 Type Journal Paper Pages 70 sheets 140 Pages Dimensions 6 x 9 inches Cover Matte **Space Shuttle** United States. National Aeronautics and Space Administration,1977 **Space Shuttle Engine STEM Notebook** SoThere Space,2018-07-18 Here s a Space Shuttle Engine at launch The interior is designed for STEM students Science Technology Engineering and Math This notebook is great for any Science Class Physics Chemistry Biology Math Theme Space Shuttle Type 5x5 Graph College Lined Paper Pages 70 sheets 140 Pages Dimensions 8 5 x 11 inches Cover Matte **U.S. Space Shuttle Glider Kit** ,1987

Making a Space Shuttle Mary Lee,2006-07 Describes space shuttles what they do their parts and how to make one out of cardboard and cardstock [See You in the Cosmos](#) Jack Cheng,2017-02-28 I haven t read anything that has moved me

this much since Wonder Jennifer Niven author of All the Bright Places A space obsessed boy and his dog Carl Sagan take a journey toward family love hope and awe in this funny and moving novel for fans of Counting by 7s Walk Two Moons and The Curious Incident of the Dog in the Night Time 11 year old Alex Petroski loves space and rockets his mom his brother and his dog Carl Sagan named for his hero the real life astronomer All he wants is to launch his golden iPod into space the way Carl Sagan the man not the dog launched his Golden Record on the Voyager spacecraft in 1977 From Colorado to New Mexico Las Vegas to L A Alex records a journey on his iPod to show other lifeforms what life on earth his earth is like But his destination keeps changing And the funny lost remarkable people he meets along the way can only partially prepare him for the secrets he ll uncover from the truth about his long dead dad to the fact that for a kid with a troubled mom and a mostly not around brother he has way more family than he ever knew Jack Cheng s debut is full of joy optimism determination and unbelievable heart To read the first page is to fall in love with Alex and his view of our big beautiful complicated world To read the last is to know he and his story will stay with you a long long time Stellar Entertainment Weekly Life embracing The Wall Street Journal Works beautifully The New York Times Book Review Irresistible The Chicago Tribune The best I ve read in a long long time Holly Goldberg Sloan author of Counting by 7s Riveting inspiring and sometimes hilarious Kirkus starred review A propulsive stream of conscious dive Publishers Weekly starred review A gift a miracle Paul Griffin author When Friendship Followed Me Home Exuberant Booklist Full of the real kind of magic Ally Condie author of Matched Absorbing irresistible Common Sense Media Incredible BookRiot Full of innocence and unwavering optimism SLC Inspiring Time for Kids Powerfully affirms our human capacity for grace and love and understanding Gary D Schmidt author of Okay for Now
Space Shuttle ,1976

the silent companions the perfect spooky tale to curl up with - Jan 07 2023

web the silent companions the perfect spooky tale to curl up with this winter ebook written by laura purcell read this book using google play books app on your pc android ios

the silent companions the perfect spooky tale to curl - May 11 2023

web oct 5 2017 laura purcell s thrilling new novel the whispering muse is available to preorder now winner of the w h smith thumping good read

the silent companions the perfect spooky tale to curl up with - Apr 10 2023

web oct 5 2017 a perfect read for a winter night an intriguing nuanced and genuinely eerie slice of victorian gothic the guardian if the silent companions lands on

the silent companions by laura purcell goodreads - Sep 22 2021

[the silent companions the perfect spooky tale to curl](#) - Feb 08 2023

web a creepy unsettling tale that i had to finish reading in broad daylight stylist must read books a sinister slice of victorian gothic creepy and page turning the times a

the silent companions the perfect winter read stylist english - Feb 25 2022

web jul 3 2023 reading about terrible crimes but that s what you ll do when you pick up one of tuomainen s decidedly quirky thrillers new york times a bizarre twisty darkly comic

the silent companions the perfect winter read sty book - Mar 29 2022

web sep 7 2023 the silent companions the perfect winter read sty is reachable in our digital library an online access to it is set as public as a result you can download it instantly

the silent companions the perfect winter read sty copy - Jan 27 2022

web 1 thesilentcompanionstheperfectwinterreadsty when somebody should go to the books stores search initiation by shop shelf by shelf it is in fact problematic

thesilentcompanionstheperfectwinterreadsty pdf - Nov 24 2021

web oct 5 2017 her childhood is full of tragedy and her future remains uncertain when she uncovers a silent companion behind a locked door in her new home along with a diary

the silent companions the perfect winter read sty full pdf - Oct 24 2021

the silent companions the perfect spooky tale to curl up with - Dec 06 2022

web apr 15 2023 the silent companions the perfect winter read sty 2 14 downloaded from uniport edu ng on april 15 2023 by guest dowry despite rumors of mysterious

the silent companions the perfect spooky tale to curl up with - Sep 03 2022

web those all we allow the silent companions the perfect winter read sty and numerous book collections from fictions to scientific research in any way accompanied by them

the silent companions the perfect spooky tale to curl up with - Mar 09 2023

web laura purcell s thrilling new novel the whispering muse is available to preorder now winner of the w h smith thumping good read award as

the silent companions the perfect winter read stylist english - Aug 14 2023

web the silent panions was a gothic masterpiece and the corset follows with confidence the corset is the very best kind of gothic fiction reminiscent of sarah waters and margaret

the silent companions by laura purcell goodreads - Nov 05 2022

web the silent companions the perfect spooky tale to curl up with this winter ebook purcell laura amazon com au kindle store
[book review the silent companions the](#) - Jun 12 2023

web for inside her new home lies a locked room and beyond that door lies a two hundred year old diary and a deeply unsettling painted wooden figure a silent companion that

the silent companions the perfect winter read sty wrbb neu - Apr 29 2022

web from the prize winning the silent panions a ghost story by laura purcell the best recent crime novels review roundup the guardian silent companions book 2017 worldcat

the silent companions the perfect winter read sty pdf - Oct 04 2022

web the silent companions the perfect winter read sty this is likewise one of the factors by obtaining the soft documents of this the silent companions the perfect winter read

the silent companions the perfect winter read sty pdf full pdf - Jul 13 2023

web perfect winter read sty pdf link that we allow here and check out the link you could buy lead the silent companions the perfect winter read sty pdf or acquire it as soon as

the silent companions the perfect winter read sty pdf retreat - May 31 2022

web the silent companions the perfect winter read sty when people should go to the ebook stores search foundation by shop shelf by shelf it is really problematic this is

the silent companions the perfect winter read sty uniport edu - Dec 26 2021

web line this online pronouncement the silent companions the perfect winter read sty can be one of the options to accompany you later having additional time it will not waste your

the silent companions the perfect winter read sty - Aug 02 2022

web you could buy guide the silent companions the perfect winter read sty or get it as soon as feasible you could speedily download this the silent companions the

the silent companions the perfect winter read sty full pdf - Jul 01 2022

web 2 the silent companions the perfect winter read sty 2020 11 08 today describes as sheer mayhem meets victorian propriety nominated for the 2017 edgar award for

[renault laguna iii 2007 2015 service and repair manuals](#) - May 06 2022

web nov 14 2023 renauld laguna iii 2007 2015 service and repair manuals a service manual for your renauld laguna iii 2007 2015 explore here workshop manuals for maintenance and repair of these renauld cars they provide detailed instructions to solve technical problems yourself and to repair or replace parts

renault laguna 1995 2007 service repair manual pdf - Feb 03 2022

web renaud laguna 1995 2007 service repair manual renaud laguna 1995 2007 service repair manual 2 downloaded from assets ceu social on 2019 06 16 by guest hatchback inc 16 valve special limited editions does not cover williams models or clio 2 range introduced may 1998 petrol 1 1 litre 1108cc 1 2 litre 1149 1171cc 1 4 litre

renault laguna 1995 2007 service repair manual - May 18 2023

web the renaud laguna 1995 2007 service repair manual is a comprehensive guide for repairing and servicing renaud laguna models from 1995 to 2007 this manual is an essential tool for mechanics car enthusiasts and owners who want to maintain and repair th

1995 renaud laguna service repair manuals pdf download - Jan 02 2022

web motor era has the best selection of service repair manuals for your 1995 renaud laguna download your manual now money back guarantee 1995 renaud laguna service repair manuals 1993 2007 renaud laguna i ii workshop repair service manual renaud laguna workshop service repair manual 1993 2000 en fr de ru

renault laguna complete workshop service repair manual 1995 - Mar 04 2022

web 36 99 zip 566 33 mb description renaud laguna complete workshop service repair manual 1995 1996 1997 1998 1999 2000 2001 2002 2003 2004 2005 2006 2007 thanks for taking the time to look at this complete service repair workshop manual this able manual covers every service repair procedure you will need description

renault laguna automotive repair manuals total car diagnostics - Dec 13 2022

web renaud laguna 1995 2007 service repair manual 1995 renaud laguna service and repair manual 1995 renaud laguna service and repair manual renaud laguna shop manual 1995 2007 renaud laguna full service repair manual 1995 2007 renaud laguna i ii iii complete workshop service repair manual 1993

renault laguna handbook pdf download manualslib - Jul 08 2022

web view and download renaud laguna handbook online laguna automobile pdf manual download

renault laguna ii 2001 2007 service and repair manuals - Jan 14 2023

web oct 31 2023 renaud laguna petrol diesel feb 2001 may 2007 haynes service and repair manual haynes workshop manual on the renaud laguna hatchback and estate petrol and diesel petrol engines 1 6 1598 cc engine code k4m 1 8 1783 cc type f4p 2 0 1998 cc type f4r diesel engines

[renault laguna repair service manuals 8 pdf s](#) - Sep 22 2023

web these laguna manuals have been provided by our users so we can t guarantee completeness we ve checked the years that the manuals cover and we have renaud laguna repair manuals for the following years 1998 1999 2007 2012 and 2013 go through the 8 different pdf s that are displayed below for example this one

renault laguna 1995 2007 service repair manua issuu - Nov 12 2022

web read renauld laguna 1995 2007 service repair manua by edmundcyr on issuu and browse thousands of other publications on our platform start here

renault laguna service repair manual renauld laguna pdf - Aug 21 2023

web 1993 2013 renauld laguna i ii iii workshop repair service manual 600mb complete manual renauld laguna 1995 2007 service repair manual renauld laguna full service repair manual 1995 2007 renauld laguna shop manual 1995 2007 1995 renauld laguna i service and repair manual

renault laguna service repair workshop manuals - Sep 10 2022

web the renauld laguna is a reliable and efficient car and owners interested in keeping their hatchback estate wagon or coupe running in top condition turn to this renauld laguna repair manual for the needed technical specifications and step by step instructions that are used by professional mechanics

renault laguna service repair manuals on motor era - Oct 23 2023

web 1993 2013 renauld laguna i ii iii workshop repair service manual 600mb complete manual renauld laguna 1995 2007 service repair manual renauld laguna full service repair manual 1995 2007 renauld laguna shop manual 1995 2007 1995 renauld laguna i service and repair manual

renault workshop repair manual books and more - Aug 09 2022

web get other renauld repair manuals hererenault 5 petrol 1985 1996 haynes owners service repair manual covers hatchback and van including gt turbo and special limited editions engines covered 1 0 litre 956cc 1 1 litre 1108cc 1 2 litre 1237cc 1 4 litre 1390 and 1397cc 1 7 litre 1721cc does not cover diesel models does not cover

renault laguna i 1994 2001 service and repair manuals tmb - Jun 07 2022

web oct 31 2023 this bucheli repair manual on the renauld laguna provides detailed instructions for work on the 4 cylinder and v6 petrol engines removal refitting crankshaft connecting rods pistons distribution valves oil pump cooling fuel system

renault laguna 2005 2007 haynes repair manuals guides - Oct 11 2022

web air conditioning need to service or repair your renauld laguna 2005 2007 online and print formats available save time and money when you follow the advice of haynes master mechanics

download renauld laguna 1995 2007 service repair manual - Jul 20 2023

web download renauld laguna 1995 2007 service repair manual peter april 2 2020 cars laguna maintain renauld particles generally cost less to produce basic all wheel drive engine attached from two arm to the rear shoe for little sheet gear effect

renault laguna service repair manuals on online auto repair - Apr 17 2023

web 1993 2013 renauld laguna i ii iii workshop repair service manual 600mb complete manual renauld laguna 1995 2007 service repair manual renauld laguna full service repair manual 1995 2007 renauld laguna shop manual 1995 2007 1995

renault laguna i service and repair manual

renault laguna 2005 2007 haynes repair manuals guides - Dec 01 2021

web need to service or repair your renault laguna 2005 2007 online and print formats available save time and money when you follow the advice of haynes master mechanics

renault laguna 1995 2007 service repair manual - Apr 05 2022

web you can expect many more sub categories in any manual we offer covers engine overhaul and rebuilding brakes sunroof timing belt replacement trouble codes wiring diagrams troubleshooting and diagnostics engine performance front end procedures and specifications suspension transmission information air conditioning service and

renault laguna free workshop and repair manuals - Jun 19 2023

web renault laguna workshop repair and owners manuals for all years and models free pdf download for thousands of cars and trucks

renault laguna 1995 2007 service repair manual - Mar 16 2023

web renault laguna 1995 2007 workshop manualthe allow you to zoom in for to view detailed parts and then print out any pages you need without getting grease on any pages covers in detail thousand of pages all for easy detailed viewing works on al renault laguna 1995 2007 service repair manual javascript

renault laguna full service repair manual 1995 2007 - Feb 15 2023

web service repair workshop manual available for instant to your computer tablet or smart phone this professional manual covers all repairs servicing and troubleshooting pro renault laguna full service repair manual 1995 2007

end of course assessment blueprint for aerospace engineering - Aug 14 2023

web college and careers the assessment blueprint for aerospace engineering is below table 1 assessment blueprint aerospace engineering skill cluster domains d

pltw aerospace engineering practice tests university of - Dec 06 2022

web pltw aerospace engineering practice tests 1 pltw aerospace engineering practice tests getting the books pltw aerospace engineering practice tests now is not type

pltw aerospace engineering practice tests - Sep 03 2022

web 2 pltw aerospace engineering practice tests 2020 07 01 experiences can be engaging support learning in other areas such as science and mathematics and provide a window

aerospace engineering course outline pltw - Jul 13 2023

web lesson 1 1 evolution of flight the goal of this lesson is for students to develop a foundational understanding of aerospace accomplishments achievements in

pltw aerospace engineering final test practice download only - Jan 27 2022

web pltw aerospace engineering final test practice best aerospace engineering textbooks and how to get them for free aerospace engineering ae through pltw how to

pltw aerospace engineering practice tests - Sep 22 2021

web 4 pltw aerospace engineering practice tests 2019 11 10 scored a 97 on the faa private pilot exam on my first try pltw aerospace orbits faa written exams

pltw aerospace engineering practice test - Oct 24 2021

web practice test to discover what you know and what you should know use rea s advice to ready yourself for proper study and success practice for real create the closest

high school engineering curriculum grades 9 12 pltw - May 31 2022

web students explore the physics of flight and space through software simulations and hands on experiences they bring concepts to life by designing and testing an airfoil propulsion

aerospace engineering pltw - Aug 02 2022

web dec 9 2020 for the aerospace engineering pltw program of study the academic standards in this document are theoretical and performance based the standards

pltw flight and space 57 plays quizizz - Feb 25 2022

web pltw flight and space quiz for 6th grade students find other quizzes for and more on quizizz for free skip to content enter code log in sign up enter code pltw flight

pltw aerospace engineering practice tests 2022 api - Dec 26 2021

web neighboring to the revelation as capably as keenness of this pltw aerospace engineering practice tests can be taken as well as picked to act pltw aerospace engineering

[pltw aerospace engineering practice tests pdf uniport edu](#) - Feb 08 2023

web pltw aerospace engineering practice tests 2 8 downloaded from uniport edu ng on june 19 2023 by guest 2013 01 31 the student workbook will help you succeed by providing

pltw aerospace engineering practice test pdf blog theupside - Jul 01 2022

web aerospace engineering mr desantis engineering pltw practice tests aerospace south san diego cadet squadron 201 aerospace engineering final exam review

pltw aerospace engineering final test practice full pdf alumni - Mar 29 2022

web fostering human development through engineering and technology education airframe structural design aerospace engineering from the ground up pltw engineering

pltw aerospace engineering final test practice pdf - Nov 05 2022

web pltw aerospace engineering final test practice 1 pltw aerospace engineering final test practice it s a question of space admission assessment exam review e book

pltw aerospace engineering course framework - Jun 12 2023

web pltw aerospace engineering course framework essential questions 1 1 1 what role has technology played in the evolution of flight engineering practice requires

pltw aerospace engineering final test practice harvard university - Jan 07 2023

web create the closest experience to test day conditions with 3 of the book s 6 full length practice tests on rea s testware cd featuring test taking against the clock instant

pltw aerospace engineering final test practice john cooper - Nov 24 2021

web most less latency time to download any of our books like this one merely said the pltw aerospace engineering final test practice is universally compatible past any devices

pltw aerospace engineering practice tests pdf uniport edu - Apr 10 2023

web aug 1 2023 pltw aerospace engineering practice tests is available in our book collection an online access to it is set as public so you can download it instantly our

pltw aerospace semester 1 final flashcards quizlet - May 11 2023

web aerospace engineer click the card to flip develops new technologies for use in aviation defense systems and space exploration often specializing in areas such as structural

pltw aerospace engineering practice tests pdf sql1 viewer co - Oct 04 2022

web engineering design an introduction 2nd workplace readiness understanding by design fostering human development through engineering and technology education school

pltw aerospace engineering 1 2 flashcards quizlet - Mar 09 2023

web the tail assembly of an aircraft including the horizontal and vertical stabilizers elevators and rudder flaps control surfaces attached to the trailing edge of the wing extending

pltw aerospace engineering final test practice pdf - Apr 29 2022

web continuously update and improve our programs pltw aerospace engineering practice testpltw aerospace engineering final test pltw aerospace engineering final test

Discover tales of courage and bravery in Explore Bravery with is empowering ebook, Unleash Courage in **Paper Space Shuttle Template** . In a downloadable PDF format (Download in PDF: *), this collection inspires and motivates. Download now to witness the indomitable spirit of those who dared to be brave.

https://offsite.creighton.edu/files/virtual-library/Documents/medical_terminology_test.pdf

https://offsite.creighton.edu/files/virtual-library/Documents/mary_anning_fun_facts.pdf

https://offsite.creighton.edu/files/virtual-library/Documents/math_certification_test_texas.pdf

Table of Contents Paper Space Shuttle Template

1. Understanding the eBook Paper Space Shuttle Template
 - The Rise of Digital Reading Paper Space Shuttle Template
 - Advantages of eBooks Over Traditional Books
2. Identifying Paper Space Shuttle Template
 - Exploring Different Genres
 - Considering Fiction vs. Non-Fiction
 - Determining Your Reading Goals
3. Choosing the Right eBook Platform
 - Popular eBook Platforms
 - Features to Look for in an Paper Space Shuttle Template
 - User-Friendly Interface
4. Exploring eBook Recommendations from Paper Space Shuttle Template
 - Personalized Recommendations
 - Paper Space Shuttle Template User Reviews and Ratings

- Paper Space Shuttle Template and Bestseller Lists
- 5. Accessing Paper Space Shuttle Template Free and Paid eBooks
 - Paper Space Shuttle Template Public Domain eBooks
 - Paper Space Shuttle Template eBook Subscription Services
 - Paper Space Shuttle Template Budget-Friendly Options
- 6. Navigating Paper Space Shuttle Template eBook Formats
 - ePub, PDF, MOBI, and More
 - Paper Space Shuttle Template Compatibility with Devices
 - Paper Space Shuttle Template Enhanced eBook Features
- 7. Enhancing Your Reading Experience
 - Adjustable Fonts and Text Sizes of Paper Space Shuttle Template
 - Highlighting and Note-Taking Paper Space Shuttle Template
 - Interactive Elements Paper Space Shuttle Template
- 8. Staying Engaged with Paper Space Shuttle Template
 - Joining Online Reading Communities
 - Participating in Virtual Book Clubs
 - Following Authors and Publishers Paper Space Shuttle Template
- 9. Balancing eBooks and Physical Books Paper Space Shuttle Template
 - Benefits of a Digital Library
 - Creating a Diverse Reading Collection Paper Space Shuttle Template
- 10. Overcoming Reading Challenges
 - Dealing with Digital Eye Strain
 - Minimizing Distractions
 - Managing Screen Time
- 11. Cultivating a Reading Routine Paper Space Shuttle Template
 - Setting Reading Goals Paper Space Shuttle Template
 - Carving Out Dedicated Reading Time
- 12. Sourcing Reliable Information of Paper Space Shuttle Template
 - Fact-Checking eBook Content of Paper Space Shuttle Template
 - Distinguishing Credible Sources

13. Promoting Lifelong Learning
 - Utilizing eBooks for Skill Development
 - Exploring Educational eBooks
14. Embracing eBook Trends
 - Integration of Multimedia Elements
 - Interactive and Gamified eBooks

Paper Space Shuttle Template Introduction

In the digital age, access to information has become easier than ever before. The ability to download Paper Space Shuttle Template has revolutionized the way we consume written content. Whether you are a student looking for course material, an avid reader searching for your next favorite book, or a professional seeking research papers, the option to download Paper Space Shuttle Template has opened up a world of possibilities. Downloading Paper Space Shuttle Template provides numerous advantages over physical copies of books and documents. Firstly, it is incredibly convenient. Gone are the days of carrying around heavy textbooks or bulky folders filled with papers. With the click of a button, you can gain immediate access to valuable resources on any device. This convenience allows for efficient studying, researching, and reading on the go. Moreover, the cost-effective nature of downloading Paper Space Shuttle Template has democratized knowledge. Traditional books and academic journals can be expensive, making it difficult for individuals with limited financial resources to access information. By offering free PDF downloads, publishers and authors are enabling a wider audience to benefit from their work. This inclusivity promotes equal opportunities for learning and personal growth. There are numerous websites and platforms where individuals can download Paper Space Shuttle Template. These websites range from academic databases offering research papers and journals to online libraries with an expansive collection of books from various genres. Many authors and publishers also upload their work to specific websites, granting readers access to their content without any charge. These platforms not only provide access to existing literature but also serve as an excellent platform for undiscovered authors to share their work with the world. However, it is essential to be cautious while downloading Paper Space Shuttle Template. Some websites may offer pirated or illegally obtained copies of copyrighted material. Engaging in such activities not only violates copyright laws but also undermines the efforts of authors, publishers, and researchers. To ensure ethical downloading, it is advisable to utilize reputable websites that prioritize the legal distribution of content. When downloading Paper Space Shuttle Template, users should also consider the potential security risks associated with online platforms. Malicious actors may exploit vulnerabilities in unprotected websites to distribute malware or steal personal information. To protect themselves, individuals should ensure their devices have reliable antivirus software installed and

validate the legitimacy of the websites they are downloading from. In conclusion, the ability to download Paper Space Shuttle Template has transformed the way we access information. With the convenience, cost-effectiveness, and accessibility it offers, free PDF downloads have become a popular choice for students, researchers, and book lovers worldwide. However, it is crucial to engage in ethical downloading practices and prioritize personal security when utilizing online platforms. By doing so, individuals can make the most of the vast array of free PDF resources available and embark on a journey of continuous learning and intellectual growth.

FAQs About Paper Space Shuttle Template Books

How do I know which eBook platform is the best for me? Finding the best eBook platform depends on your reading preferences and device compatibility. Research different platforms, read user reviews, and explore their features before making a choice. Are free eBooks of good quality? Yes, many reputable platforms offer high-quality free eBooks, including classics and public domain works. However, make sure to verify the source to ensure the eBook credibility. Can I read eBooks without an eReader? Absolutely! Most eBook platforms offer web-based readers or mobile apps that allow you to read eBooks on your computer, tablet, or smartphone. How do I avoid digital eye strain while reading eBooks? To prevent digital eye strain, take regular breaks, adjust the font size and background color, and ensure proper lighting while reading eBooks. What the advantage of interactive eBooks? Interactive eBooks incorporate multimedia elements, quizzes, and activities, enhancing the reader engagement and providing a more immersive learning experience. Paper Space Shuttle Template is one of the best book in our library for free trial. We provide copy of Paper Space Shuttle Template in digital format, so the resources that you find are reliable. There are also many Ebooks of related with Paper Space Shuttle Template. Where to download Paper Space Shuttle Template online for free? Are you looking for Paper Space Shuttle Template PDF? This is definitely going to save you time and cash in something you should think about.

Find Paper Space Shuttle Template :

medical terminology test

mary anning fun facts

math certification test texas

mcats multiple choice

math released staar test

maui beach map pdf

math problem solving iep goals 4th grade

medical in urdu

mary berg cookbook well seasoned

me da miedo la muerte

medical medium cancer

mast greenhouse photos

mei lesson plans

medical medium adrenal fatigue

math magazine scholastic

Paper Space Shuttle Template :