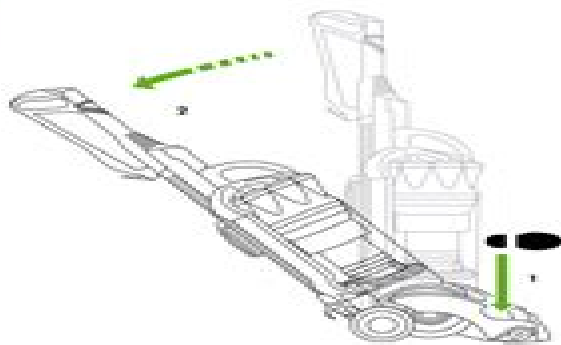
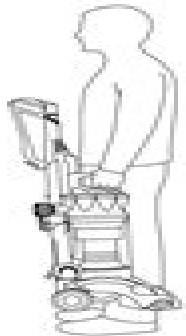
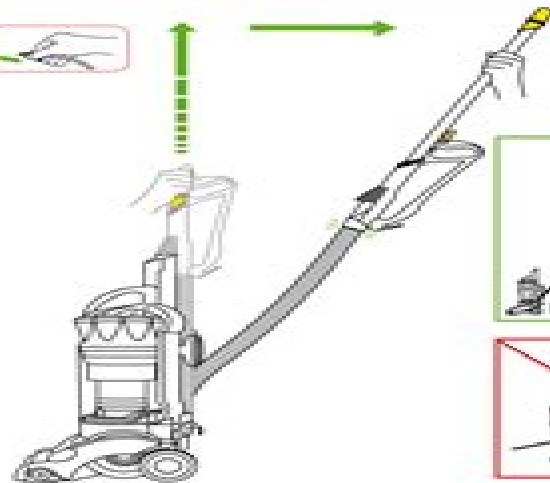


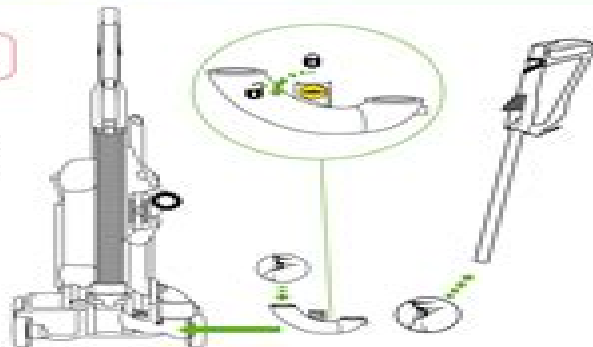
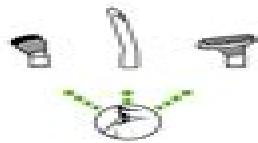
Using your DC17 - Cómo usar el DC17



Wand release - Liberación del tubo



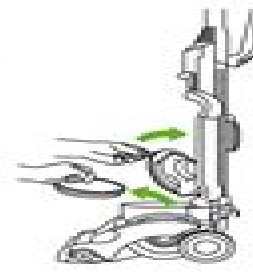
Clearing blockages - Eliminación de las obstrucciones



Using tools - Cómo usar los accesorios



Washing your filter - Lavado del filtro



Dyson Animal Dc17 Manual

Consumer Reports



Dyson Animal Dc17 Manual

User Guide [DC07] Dyson, Instruction manual for a vacuum cleaner

Consumer Reports Buying Guide Consumer Reports, 2007-11 If you are in the market for just about anything from a new coffeemaker to a new computer to a new car The Consumer Reports Buying Guide 2008 is your one stop portable reference source for making intelligent money saving purchases for all home buying needs Consumer Reports has done the homework for you by testing hundreds of brand name products to come up with the Best Buys for 2008 along with the best buying advice on the market If you have asked yourself Is this the right product for me Will I get my money s worth in this product Which brand is the best for me let Consumer Reports expert buying advice and Ratings steer you in the right direction Consumer Reports Buying Guide 2008 tells you what manufacturers can t tell you based on a full year s worth of Consumer Reports testing This compact reference guide contains over 900 brand name product ratings along with invaluable information on what products are available important features latest trends and expert advice on Home office equipment Digital cameras and camcorders Home entertainment Cellular Phones Home and yard products Gas grills Air conditioners Kitchen appliances Bath and Laundry products Vacuum cleaners and washing machines Cars minivans pickups and SUV s And so much more From refrigerators to home theater systems mattresses to microwave ovens Consumer Reports Buying Guide 2008 will make you a smarter shopper and will ultimately pay off in valuable product knowledge time saved and perhaps money saved too [National Geographic Backyard Guide to the Birds of North America](#) Jonathan K. Alderfer, Paul Hess, 2011 In North America alone 60 million people identify themselves as bird watchers and most hone their skills right in their own backyards This handy guide covers all aspects of birding in an easy accessible way Vivid illustrations of 150 common species make identification a snap

Public Health Genomics Paul Lacaze, Gareth Baynam, 2019-10-17 The use of human genetic data has the potential to significantly improve healthcare however a range of scientific ethical and practical implementation barriers remain [The Unofficial Dyson DC07 Workshop Manual: All you need to know to perform any DIY repair to your Dyson DC07](#) Angus Black, 2011-12-01 The unofficial Dyson DC07 workshop manual All you need to know to perform any DIY repair to your Dyson DC07 vacuum cleaner There is nothing that can go wrong with your Dyson DC07 which if you are practically inclined you cannot source the parts and repair yourself for a fraction of the cost of a new Dyson More importantly armed with this book you will have the information you need to get it right the first time and have your Dyson up and running again quickly without breaking the bank Everything is covered from filters and basic maintenance right through to a motor swap You will also learn where to buy special tools and how to troubleshoot a faulty machine Why pay excessive repair charges to vacuum cleaner engineers when you can do it yourself Repairing and extending the life of your Dyson is green It s a small cog in the large machine that is our future sustainability This book is unofficial That means it is not authorised approved or endorsed by

Dyson Ltd **Dignity of Risk** Joseph Ibrahim, Prateek Bando, 2019-10 Prof Joe a geriatrician is faced with a difficult decision when he finds that his elderly patient Mr Jones can no longer live safely at home He decides to put Mr Jones in a care home to protect him from all the risks around him but soon finds himself uneasy about his decision **GeNeDis 2016** Panayiotis Vlamos, 2017-10-01 The 2nd World Congress on Genetics Geriatrics and Neurodegenerative Disease Research GeNeDis 2016 will focus on recent advances in geriatrics and neurodegeneration ranging from basic science to clinical and pharmaceutical developments and will provide an international focus for the latest scientific discoveries medical practices and care initiatives Advances information technologies will be discussed along with their implications for various research implementation and policy concerns In addition the conference will address European and global issues in the funding of long term care and medico social policies regarding elderly people GeNeDis 2016 takes place in Sparta Greece 20-23 October 2016 This volume focuses on the sessions that address geriatrics **Dementia, Fifth Edition** David Ames, John T. O'Brien, Alistair Burns, 2017-02-24 Dementia represents a major public health challenge for the world with over 100 million people likely to be affected by 2050 A large body of professionals is active in diagnosing treating and caring for people with dementia and research is expanding Many of these specialists find it hard to keep up to date in all aspects of dementia This book helps solve that problem The new edition has been updated and revised to reflect recent advances in this fast moving field **Bio-Psycho-Social Obstetrics and Gynecology** K Marieke Paarlberg, Harry B.M. van de Wiel, 2017-02-20 This book will assist the reader by providing individually tailored high quality bio psycho social care to patients with a wide range of problems within the fields of obstetrics gynaecology fertility oncology and sexology Each chapter addresses a particular theme issue or situation in a problem oriented and case based manner that emphasizes the differences between routine and bio psycho social care Relevant facts and figures are presented advice is provided regarding the medical psychological and caring process and contextual aspects are discussed The book offers practical tips and actions within the bio psycho social approach and highlights important do's and don'ts To avoid a strict somatic thinking pattern the importance of communication multidisciplinary collaboration and creation of a working alliance with the patient is emphasized The book follows a consistent format designed to meet the needs of challenged clinicians *Teaching Medicine and Medical Ethics Using Popular Culture* Evie Kendal, Basia Diug, 2017-10-20 This book demonstrates how popular culture can be successfully incorporated into medical and health science curriculums capitalising on the opportunity fictional media presents to humanise case studies Studies show that the vast majority of medical and nursing students watch popular medical television dramas and comedies such as Grey's Anatomy ER House M D and Scrubs This affords us with a unique opportunity to engage and inform not only students but the general public and patients further downstream This volume analyses examples of medical themed popular culture and offers various strategies and methods for educators in this field to integrate this material into their teaching The result is a fascinating read and original resource for medical professionals and teachers alike

The Ortho Problem Solver Michael Daman Smith,1989 The most up to date solutions from non chemical to recommended chemical controls for more than 3 000 plant problems and North American home pests

Meanings of Pain Simon van Rysewyk,2017-02-07 Although pain is widely recognized by clinicians and researchers as an experience pain is always felt in a patient specific way rather than experienced for what it objectively is making perceived meaning important in the study of pain The book contributors explain why meaning is important in the way that pain is felt and promote the integration of quantitative and qualitative methods to study meanings of pain For the first time in a book the study of the meanings of pain is given the attention it deserves All pain research and medicine inevitably have to negotiate how pain is perceived how meanings of pain can be described within the fabric of a person s life and neurophysiology what factors mediate them how they interact and change over time and how the relationship between patient researcher and clinician might be understood in terms of meaning Though meanings of pain are not intensively studied in contemporary pain research or thoroughly described as part of clinical assessment no pain researcher or clinician can avoid asking questions about how pain is perceived or the types of data and scientific methods relevant in discovering the answers

Infectious Diseases Eskild Petersen,Lin Hwei Chen,Patricia Schlagenhauf-Lawlor,2011-04-22 This concise and practical guide describes infections in geographical areas and provides information on disease risk concomitant infections such as co prevalence of HIV and tuberculosis and emerging bacterial viral and parasitic infections in a given geographical area of the world Infectious Diseases A Geographic Guide is divided according to United Nations world regions and addresses geographic disease profiles presenting symptoms and incubation periods of infections Each chapter contains a section on the coverage of the childhood vaccination programs in the countries included in that region Chapters also include descriptions of infectious disease risk and problems with resistant bacteria in each region e g antibiotic resistance in Salmonella infections in Southeast Asia For the clinician this book is a tool to generate differential diagnoses by considering the geographical history as well the presenting symptoms and duration of illness For the travel medicine specialist this book provides information on risks of different diseases at various destinations and is particularly useful in advising long term travelers

Ovulation Induction Ben J. Cohlen,Evert Van Santbrink,Joop Laven,2016-10-26 Anovulation one of the most common causes of infertility is here given a thorough review with classification of the different subtypes how they are diagnosed how they are treated and the possible complications and outcomes involved This is a comprehensive evidence based summary from an international expert team with guidelines for daily practice clearly stated and summarized for your convenience

Practical Transfusion Medicine Michael F. Murphy,Derwood H. Pamphilon,2013-07-03 Highly Commended 2010 BMA Medical Book Awards An essential practical manual for all those working in transfusion medicine Concise and user friendly guide to transfusion medicine Focuses on clinical aspects but also covers background science and organizational issues Complications encountered in transfusion are addressed throughout Highlights controversial issues and provides advice for everyday

clinical questions in transfusion medicine This comprehensive guide to transfusion medicine takes a practical and didactic approach The third edition of this text includes many new contributions and has expanded to seven sections The first of these takes the reader systematically through the principles of transfusion medicine The second deals with the complications which can arise in transfusion and is followed by a section on the practice of transfusion in blood centres and hospitals The fourth section covers clinical transfusion practice and the fifth looks at alternatives to transfusion Section six addresses cellular and tissue therapy and organ transplantation and the final section of the book examines the development of the evidence base for transfusion As with previous editions the final section includes a visionary chapter on future advances in the field This new edition of Practical Transfusion Medicine benefits from even more international authorship than the previous two editions and is an invaluable resource for trainee doctors scientists technicians and other staff in haematology and transfusion and as a reference book for clinical staff in haematology and other disciplines faced with specific problems

Clinical Nursing Skills Jacqueline Bloomfield, Anne Pegram, Rhonda Wilson, Alan Pearson, Nicholas Procter, Bill McGuinness, Jane Stein-Parbury, Sally Bristow, Julie Dally, Brigid Gillespie, Benjamin Hay, Richard Lakeman, Elicia Kunst, Zaneta Smith, Deborah Norton-Westwood, Suzanne Robertson-Malt, Ramon Shaban, Thea van de Mortel, Peta-Anne Zimmerman, Erica Wood, Marilyn Cruikshank, 2016-10-18

Endocrinology of the Testis and Male Reproduction Manuela Simoni, Ilpo T. Huhtaniemi, 2017-09-18 This book provides a comprehensive overview of endocrinology of the male reproductive system explaining how it works and how sometimes it fails to work World class specialists present state of the art knowledge on all aspects including anatomy physiology molecular biology genetics pathophysiology clinical manifestations of testicular diseases endocrine aspects of andrological and sexual diseases and therapy Extensive consideration is given to sexual development testicular function the clinical approach to disorders of male reproduction male hypogonadism sexual dysfunction and male infertility In addition sociodemographic psychological and ethical aspects of male reproductive disorders are discussed The book is intended as a major reference for endocrinologists andrologists and sexologists as well as basic and clinical scientists It is published as part of the SpringerReference program which delivers access to living editions constantly updated through a dynamic peer review publishing process

Aesthetic Labour Ana Sofia Elias, Rosalind Gill, Christina Scharff, 2017-01-18 This volume approaches questions about gender and the politics of appearance from a new perspective by developing the notion of aesthetic labour Bringing together feminist writing regarding the beauty myth with recent scholarship about new forms of work the book suggests that in this moment of ubiquitous photography social media and 360 degree surveillance women are increasingly required to be aesthetic entrepreneurs maintaining a constant state of vigilance about their appearance The collection shows that this work is not just on the surface of bodies but requires a transformation of subjectivity itself characterised by notions of personal choice risk taking self management and individual responsibility The book includes analyses of online media beauty service work female genital cosmetic surgery academic

fashion self help literature and the seduction community from a range of countries Discussing beauty politics postfeminism neoliberalism labour and subjectivity the book will be of interest to scholars and students with an interest in Gender Media Studies Cultural Studies Sociology Social Psychology and Management Studies This highly engaging smart and wide ranging collection analyzes how under the self governing mandates of neoliberalism the demands that girls and women regulate and control their bodies and appearance have escalated to new unforgiving levels A special strength of the book is its emphasis on the rise of aesthetic labour as a global transnational and ever colonizing phenomenon that seeks to sweep up women of all races ages and locales into its disciplinary grip Highly recommended Susan J Douglas University of Michigan USA the inherited responsibility that remains women s particular burden to manage Melissa Gregg Intel Corporation USA This book incisively conceptualizes how neo liberalist and postfeminist tendencies are ramping up pressures for glamour aesthetic fashion and body work in the general public In a moment when YouTube makeup how to videos receive millions of hits what to wear and how to wear it blogs clock massive followings and staying on brand is sold to us as the key to personal and financial success aesthetic entrepreneurship is bound to become a go to concept for anyone seeking to understand the profound shifts shaping labor and life in the 21st century Elizabeth Wissinger City University of New York USA **Domestic Homicides and Death Reviews** Myrna Dawson, 2017-05-19 This edited collection highlights international research on domestic homicides and death reviews which are a rapidly growing intervention prevention initiative in various countries Chapters focus on the impetus for the international development of such initiatives the identification of risk factors and recommendations for improving systemic responses the uptake and impact of these recommendations and finally the social and public policy implications of outcomes for developed and developing countries Despite rapid growth the current state of research and knowledge about domestic violence death review initiatives is limited fragmented and primarily descriptive largely comprising annual public reports The authors of this book bridge this significant gap by analysing the wide range of models currently in development and operation A bold and important examination this work will have a powerful impact on policy makers and scholars of social science theory women s studies and domestic violence

Libretto d'uso e Manutenzione online per la tua MINI Il libretto Uso e manutenzione online rappresenta la versione più aggiornata per la tua MINI ... JOHN COOPER WORKS. John ... Manuali Uso e Manutenzione - MINIMINOR.COM Disponibili i manuali d'Uso e Manutenzione per la propria Innocenti Mini Minor e Mini Cooper. Sono disponibili anche per i modelli di Mini più recenti di ... MINI Driver's Guide 4+ - App Store La Driver's Guide è un libretto Uso e manutenzione specifico* per modelli MINI selezionati**. Per visualizzare il documento la prima volta è necessario un ... Manuale uso e manutenzione MINI 3-5 porte (ITA) Sep 16, 2021 — Manuale di uso e manutenzione per MINI F55-F56 in lingua italiana (©BMW Group) Manuali e istruzioni per auto Mini Libretto Uso E Manutenzione Mini Cooper. Di seconda mano: Privato. EUR 28,00. 0 offerte ·

Scadenza: 18 dic., alle 16:48 ... MINI Owners and Service Manual Need to see the owner manuals for your MINI? Find a PDF manual or use our interactive online manual to search and view instructional videos & FAQs. Manuali di assistenza e riparazione Mini Cooper per l'auto Trova una vasta selezione di Manuali di assistenza e riparazione Mini Cooper per l'auto a prezzi vantaggiosi su eBay. Scegli la consegna gratis per ... Manuali di riparazione per MINI e video tutorial. Libretto di istruzioni MINI gratuito · Manuale uso e manutenzione MINI online · Manuale officina MINI pdf · Manuale tecnico d'officina MINI scaricare · Libretto uso ... MINI Driver's Guide - App su Google Play La Driver's Guide è un libretto Uso e manutenzione specifico* per modelli MINI selezionati**. Per visualizzare il documento la prima volta è necessario un ... Innocenti Mini Cooper 1300 - Manuale D'uso e ... - Scribd Manual de uso del Innocenti Mini Cooper 1300 en italiano by daloppel. NATE Practice Tests The NATE core exam tests the candidate's general knowledge, construction knowledge, and HVACR specific knowledge in the areas of: NATE Certification Practice Test, Free Online HVAC Exam Try our North American Technician Excellence (NATE) Certification free practice test. You'll find online questions and answers for the NATE certification exams. NATE Exam Practice Test 1 HVAC Certification Practice Tests. Free Online HVAC Certification Prep Site. Menu Skip to content. Home · EPA 608 Practice Tests · HVAC Basics · HVAC Controls ... NATE CORE 40 Specific Test Questions Flashcards Study Flashcards On NATE CORE 40 Specific Test Questions at Cram.com. Quickly memorize the terms, phrases and much more. Cram.com makes it easy to get the ... NATE Practice Test Questions Attach the gauge manifold, evacuate the system, replace the filter core, ... Free area. B. Open area. C. Core area. D. Drop area. 25.) Which type of copper tubing ... Free Online NATE Ready To Work Training Free online training to help you pass the NATE Ready To Work Exam. Our online ... NATE exam. HVAC simulations, practice tests, and online exams. Free NATE Practice Test 2024 - Passemall A complete NATE Prep Platform, including a diagnostic test, detailed study guides for all topics, practice questions with step-by-step explanations, and various ... NATE Practice Test 2023 - Apps on Google Play NATE Practice Test 2023 is an essential app for those preparing for the North American Technician Excellence certification exams. NATE Exam Practice Test - Vocational Training HQ We present you with a free, core NATE Practice test for your exam preparation. Our test consists of 17 questions that will test not only your general but ... NATE Core Exam Practice Questions Flashcards Study with Quizlet and memorize flashcards containing terms like Ch. 1-1 The ability to utilize all types of communication skills is _____ to the HVACR ... Entrepreneurship Ideas in Action - 3rd Edition Find step-by-step solutions and answers to Entrepreneurship Ideas in Action - 9780538441223, as well as thousands of textbooks so you can move forward with ... ENTREPRENEURSHIP Ideas in Action ... Edition with CD ISBN 13: 978-0-538-44626-6. Student Edition with ... Ideas in Action presents stories of successful young Entrepreneurs. Making Job Connections 3. Entrepreneurship Ideas In Action Chapter 3 Flashcards Study with Quizlet and memorize flashcards containing terms like business plan (What is it?), pro forma financial statement, exit (harvest) strategy and ... Entrepreneurship Ideas In Action 3rd Edition Answers Pdf Entrepreneurship Ideas In Action 3rd

Edition Answers Pdf. INTRODUCTION Entrepreneurship Ideas In Action 3rd Edition Answers Pdf (2023) Entrepreneurship: Ideas in Action: Greene, Cynthia L. Entrepreneurship: Ideas in Action. 3rd Edition. ISBN-13: 978-0538441223, ISBN-10: 0538441224. 4.1 4.1 out of 5 stars 11 Reviews. 4.1 on Goodreads. (26). Chapter 1 1.4 Problem Solving for Entrepreneurs. 1. Slide 2. Entrepreneurship: Ideas in Action. © Cengage Learning/South-Western. Ideas in Action. After identifying an ... Ideas in Action Updated, 6th, Precision Exams Edition ENTREPRENEURSHIP: IDEAS IN ACTION 6E provides students with the knowledge needed to realistically evaluate their potential as a business owner. Lesson 5 - Entrepreneurship Ideas in Action | PDF Entrepreneurship Dept. TREY research 1. Pursue Passions and. Interests. 2. Build positive relationships and reach out when necessary. 3. 5 Entrepreneurship Ideas in Action | PDF 1. Pursue the Passions and. Interests. · 2. Build positive relationships and reach out when necessary. · 3. Think About What Needs Improvement in Your · 4. Keep an ... Greene, Entrepreneurship: Ideas in Action Teacher ... Entrepreneurship course FREE teacher resources and trial access to online course solution as well as a correlation to WI state MME & WCCTS standards.

If you ally habit such a referred **Dyson Animal Dc17 Manual** ebook that will come up with the money for you worth, get the totally best seller from us currently from several preferred authors. If you desire to witty books, lots of novels, tale, jokes, and more fictions collections are moreover launched, from best seller to one of the most current released.

You may not be perplexed to enjoy all ebook collections Dyson Animal Dc17 Manual that we will unconditionally offer. It is not just about the costs. Its very nearly what you dependence currently. This Dyson Animal Dc17 Manual, as one of the most involved sellers here will totally be among the best options to review.

https://offsite.creighton.edu/files/virtual-library/Documents/nursing_care_plan_for_long_term_care.pdf

https://offsite.creighton.edu/files/virtual-library/Documents/off_road_welder_cart.pdf

https://offsite.creighton.edu/files/virtual-library/Documents/nuclear_attack_survival_kit.pdf

Table of Contents Dyson Animal Dc17 Manual

1. Understanding the eBook Dyson Animal Dc17 Manual
 - The Rise of Digital Reading Dyson Animal Dc17 Manual
 - Advantages of eBooks Over Traditional Books
2. Identifying Dyson Animal Dc17 Manual
 - Exploring Different Genres
 - Considering Fiction vs. Non-Fiction
 - Determining Your Reading Goals
3. Choosing the Right eBook Platform
 - Popular eBook Platforms
 - Features to Look for in an Dyson Animal Dc17 Manual

- User-Friendly Interface
- 4. Exploring eBook Recommendations from Dyson Animal Dc17 Manual
 - Personalized Recommendations
 - Dyson Animal Dc17 Manual User Reviews and Ratings
 - Dyson Animal Dc17 Manual and Bestseller Lists
- 5. Accessing Dyson Animal Dc17 Manual Free and Paid eBooks
 - Dyson Animal Dc17 Manual Public Domain eBooks
 - Dyson Animal Dc17 Manual eBook Subscription Services
 - Dyson Animal Dc17 Manual Budget-Friendly Options
- 6. Navigating Dyson Animal Dc17 Manual eBook Formats
 - ePub, PDF, MOBI, and More
 - Dyson Animal Dc17 Manual Compatibility with Devices
 - Dyson Animal Dc17 Manual Enhanced eBook Features
- 7. Enhancing Your Reading Experience
 - Adjustable Fonts and Text Sizes of Dyson Animal Dc17 Manual
 - Highlighting and Note-Taking Dyson Animal Dc17 Manual
 - Interactive Elements Dyson Animal Dc17 Manual
- 8. Staying Engaged with Dyson Animal Dc17 Manual
 - Joining Online Reading Communities
 - Participating in Virtual Book Clubs
 - Following Authors and Publishers Dyson Animal Dc17 Manual
- 9. Balancing eBooks and Physical Books Dyson Animal Dc17 Manual
 - Benefits of a Digital Library
 - Creating a Diverse Reading Collection Dyson Animal Dc17 Manual
- 10. Overcoming Reading Challenges
 - Dealing with Digital Eye Strain
 - Minimizing Distractions
 - Managing Screen Time
- 11. Cultivating a Reading Routine Dyson Animal Dc17 Manual
 - Setting Reading Goals Dyson Animal Dc17 Manual

- Carving Out Dedicated Reading Time
- 12. Sourcing Reliable Information of Dyson Animal Dc17 Manual
 - Fact-Checking eBook Content of Dyson Animal Dc17 Manual
 - Distinguishing Credible Sources
- 13. Promoting Lifelong Learning
 - Utilizing eBooks for Skill Development
 - Exploring Educational eBooks
- 14. Embracing eBook Trends
 - Integration of Multimedia Elements
 - Interactive and Gamified eBooks

Dyson Animal Dc17 Manual Introduction

Free PDF Books and Manuals for Download: Unlocking Knowledge at Your Fingertips In today's fast-paced digital age, obtaining valuable knowledge has become easier than ever. Thanks to the internet, a vast array of books and manuals are now available for free download in PDF format. Whether you are a student, professional, or simply an avid reader, this treasure trove of downloadable resources offers a wealth of information, conveniently accessible anytime, anywhere. The advent of online libraries and platforms dedicated to sharing knowledge has revolutionized the way we consume information. No longer confined to physical libraries or bookstores, readers can now access an extensive collection of digital books and manuals with just a few clicks. These resources, available in PDF, Microsoft Word, and PowerPoint formats, cater to a wide range of interests, including literature, technology, science, history, and much more. One notable platform where you can explore and download free Dyson Animal Dc17 Manual PDF books and manuals is the internet's largest free library. Hosted online, this catalog compiles a vast assortment of documents, making it a veritable goldmine of knowledge. With its easy-to-use website interface and customizable PDF generator, this platform offers a user-friendly experience, allowing individuals to effortlessly navigate and access the information they seek. The availability of free PDF books and manuals on this platform demonstrates its commitment to democratizing education and empowering individuals with the tools needed to succeed in their chosen fields. It allows anyone, regardless of their background or financial limitations, to expand their horizons and gain insights from experts in various disciplines. One of the most significant advantages of downloading PDF books and manuals lies in their portability. Unlike physical copies, digital books can be stored and carried on a single device, such as a tablet or smartphone, saving valuable space and weight. This convenience makes it possible for readers to have their entire library at their fingertips, whether they are commuting, traveling, or simply enjoying a lazy afternoon at home. Additionally,

digital files are easily searchable, enabling readers to locate specific information within seconds. With a few keystrokes, users can search for keywords, topics, or phrases, making research and finding relevant information a breeze. This efficiency saves time and effort, streamlining the learning process and allowing individuals to focus on extracting the information they need. Furthermore, the availability of free PDF books and manuals fosters a culture of continuous learning. By removing financial barriers, more people can access educational resources and pursue lifelong learning, contributing to personal growth and professional development. This democratization of knowledge promotes intellectual curiosity and empowers individuals to become lifelong learners, promoting progress and innovation in various fields. It is worth noting that while accessing free Dyson Animal Dc17 Manual PDF books and manuals is convenient and cost-effective, it is vital to respect copyright laws and intellectual property rights. Platforms offering free downloads often operate within legal boundaries, ensuring that the materials they provide are either in the public domain or authorized for distribution. By adhering to copyright laws, users can enjoy the benefits of free access to knowledge while supporting the authors and publishers who make these resources available. In conclusion, the availability of Dyson Animal Dc17 Manual free PDF books and manuals for download has revolutionized the way we access and consume knowledge. With just a few clicks, individuals can explore a vast collection of resources across different disciplines, all free of charge. This accessibility empowers individuals to become lifelong learners, contributing to personal growth, professional development, and the advancement of society as a whole. So why not unlock a world of knowledge today? Start exploring the vast sea of free PDF books and manuals waiting to be discovered right at your fingertips.

FAQs About Dyson Animal Dc17 Manual Books

What is a Dyson Animal Dc17 Manual PDF? A PDF (Portable Document Format) is a file format developed by Adobe that preserves the layout and formatting of a document, regardless of the software, hardware, or operating system used to view or print it. **How do I create a Dyson Animal Dc17 Manual PDF?** There are several ways to create a PDF: Use software like Adobe Acrobat, Microsoft Word, or Google Docs, which often have built-in PDF creation tools. Print to PDF: Many applications and operating systems have a "Print to PDF" option that allows you to save a document as a PDF file instead of printing it on paper. Online converters: There are various online tools that can convert different file types to PDF. **How do I edit a Dyson Animal Dc17 Manual PDF?** Editing a PDF can be done with software like Adobe Acrobat, which allows direct editing of text, images, and other elements within the PDF. Some free tools, like PDFescape or Smallpdf, also offer basic editing capabilities. **How do I convert a Dyson Animal Dc17 Manual PDF to another file format?** There are multiple ways to convert a PDF to another format: Use online converters like Smallpdf, Zamzar, or Adobe Acrobats export feature to

convert PDFs to formats like Word, Excel, JPEG, etc. Software like Adobe Acrobat, Microsoft Word, or other PDF editors may have options to export or save PDFs in different formats. **How do I password-protect a Dyson Animal Dc17 Manual PDF?** Most PDF editing software allows you to add password protection. In Adobe Acrobat, for instance, you can go to "File" -> "Properties" -> "Security" to set a password to restrict access or editing capabilities. Are there any free alternatives to Adobe Acrobat for working with PDFs? Yes, there are many free alternatives for working with PDFs, such as: LibreOffice: Offers PDF editing features. PDFsam: Allows splitting, merging, and editing PDFs. Foxit Reader: Provides basic PDF viewing and editing capabilities. How do I compress a PDF file? You can use online tools like Smallpdf, ILovePDF, or desktop software like Adobe Acrobat to compress PDF files without significant quality loss. Compression reduces the file size, making it easier to share and download. Can I fill out forms in a PDF file? Yes, most PDF viewers/editors like Adobe Acrobat, Preview (on Mac), or various online tools allow you to fill out forms in PDF files by selecting text fields and entering information. Are there any restrictions when working with PDFs? Some PDFs might have restrictions set by their creator, such as password protection, editing restrictions, or print restrictions. Breaking these restrictions might require specific software or tools, which may or may not be legal depending on the circumstances and local laws.

Find Dyson Animal Dc17 Manual :

nursing care plan for long term care

off road welder cart

nuclear attack survival kit

non performing notes investing

oci application new york

nys u.s. history regents

nursing diagnosis of stroke patient

nonprofit chart of accounts

nostradamus twin towers

numerical methods for engineers 8th ed

nyc fire guards

nursing diagnosis for impaired physical mobility

notch 3 testing

nystce 211 practice test

nursing diagnosis for risk of falls

Dyson Animal Dc17 Manual :