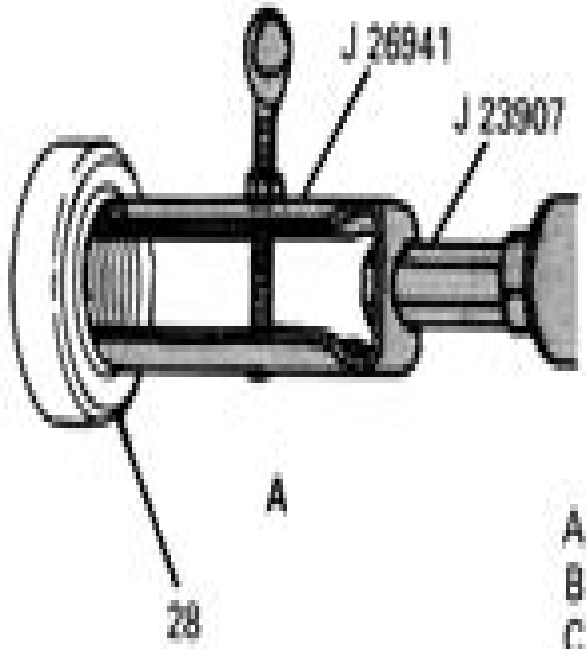
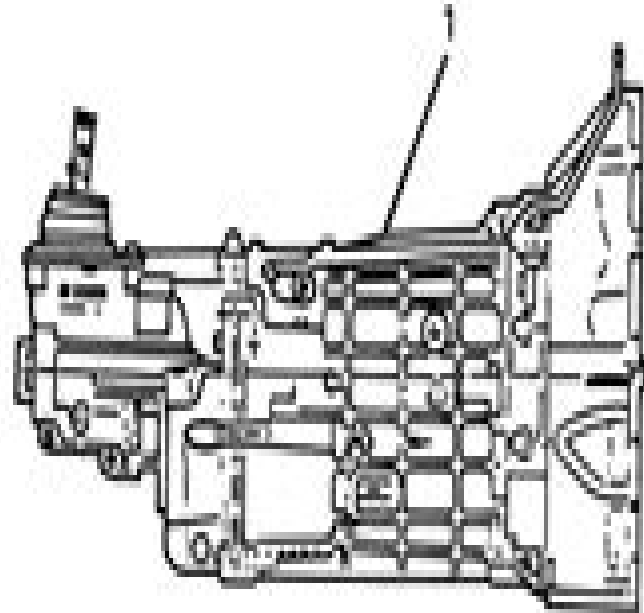
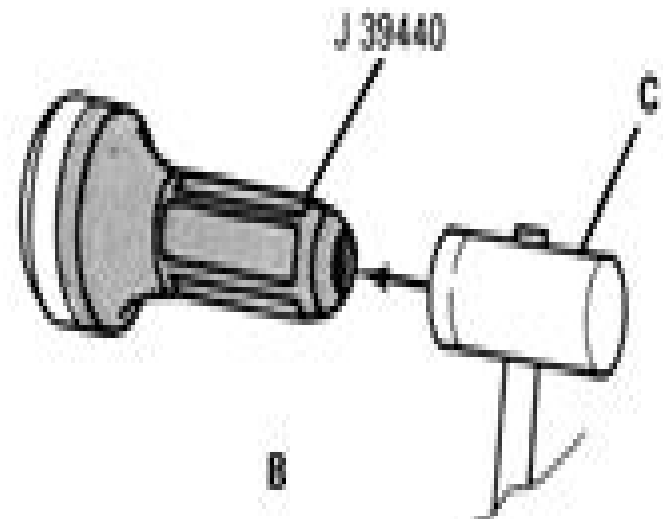


A



VIEW A



- A REMOVAL OF OUTPUT SHAFT SEAL
- B INSTALLATION OF OUTPUT SHAFT SEAL
- C RUBBER MALLET
- 1 TRANSMISSION ASSEMBLY, 6-SPEED MANUAL
- 28 SEAL, OUTPUT SHAFT

1997 Acura Tl Output Shaft Seal Manual

Bhaskar Dutta, Francis Froes



1997 Acura Tl Output Shaft Seal Manual

Vehicle Dynamics Reza N. Jazar,2013-11-19 This textbook is appropriate for senior undergraduate and first year graduate students in mechanical and automotive engineering The contents in this book are presented at a theoretical practical level It explains vehicle dynamics concepts in detail concentrating on their practical use Related theorems and formal proofs are provided as are real life applications Students researchers and practicing engineers alike will appreciate the user friendly presentation of a wealth of topics most notably steering handling ride and related components This book also Illustrates all key concepts with examples Includes exercises for each chapter Covers front rear and four wheel steering systems as well as the advantages and disadvantages of different steering schemes Includes an emphasis on design throughout the text which provides a practical hands on approach

Theory of Ground Vehicles J. Y. Wong,2001-03-20 An updated edition of the classic reference on the dynamics of road and off road vehicles As we enter a new millennium the vehicle industry faces greater challenges than ever before as it strives to meet the increasing demand for safer environmentally friendlier more energy efficient and lower emissions products Theory of Ground Vehicles Third Edition gives aspiring and practicing engineers a fundamental understanding of the critical factors affecting the performance handling and ride essential to the development and design of ground vehicles that meet these requirements As in previous editions this book focuses on applying engineering principles to the analysis of vehicle behavior A large number of practical examples and problems are included throughout to help readers bridge the gap between theory and practice Covering a wide range of topics concerning the dynamics of road and off road vehicles this Third Edition is filled with up to date information including The Magic Formula for characterizing pneumatic tire behavior from test data for vehicle handling simulations Computer aided methods for performance and design evaluation of off road vehicles based on the author s own research Updated data on road vehicle transmissions and operating fuel economy Fundamentals of road vehicle stability control Optimization of the performance of four wheel drive off road vehicles and experimental substantiation based on the author s own investigations A new theory on skid steering of tracked vehicles developed by the author

The Reader's Companion to World Literature Lillian Herlands Hornstein,Calvin S. Brown,G. D. Percy,Leon Edel,Sterling Allen Brown,Horst Frenz,2002 An alphabetical listing and description of authors works literary types and terms mythological figures and literary periods and movements from all over the world

Engineering Fundamentals: An Introduction to Engineering, SI Edition Saeed Moaveni,2011-01-01 Specifically designed as an introduction to the exciting world of engineering ENGINEERING FUNDAMENTALS AN INTRODUCTION TO ENGINEERING encourages students to become engineers and prepares them with a solid foundation in the fundamental principles and physical laws The book begins with a discovery of what engineers do as well as an inside look into the various areas of specialization An explanation on good study habits and what it takes to succeed is included as well

as an introduction to design and problem solving communication and ethics Once this foundation is established the book moves on to the basic physical concepts and laws that students will encounter regularly The framework of this text teaches students that engineers apply physical and chemical laws and principles as well as mathematics to design test and supervise the production of millions of parts products and services that people use every day By gaining problem solving skills and an understanding of fundamental principles students are on their way to becoming analytical detail oriented and creative engineers Important Notice Media content referenced within the product description or the product text may not be available in the ebook version

Additive Manufacturing of Titanium Alloys Bhaskar Dutta, Francis Froes, 2016-06-17 Additive Manufacturing of Titanium Alloys State of the Art Challenges and Opportunities provides alternative methods to the conventional approach for the fabrication of the majority of titanium components produced via the cast and wrought technique a process which involves a considerable amount of expensive machining In contrast the Additive Manufacturing AM approach allows very close to final part configuration to be directly fabricated minimizing machining cost while achieving mechanical properties at least at cast and wrought levels In addition the book offers the benefit of significant savings through better material utilization for parts with high buy to fly ratios ratio of initial stock mass to final part mass before and after manufacturing As titanium additive manufacturing has attracted considerable attention from both academicians and technologists and has already led to many applications in aerospace and terrestrial systems as well as in the medical industry this book explores the unique shape making capabilities and attractive mechanical properties which make titanium an ideal material for the additive manufacturing industry Includes coverage of the fundamentals of microstructural evolution in titanium alloys Introduces readers to the various Additive Manufacturing Technologies such as Powder Bed Fusion PBF and Directed Energy Deposition DED Looks at the future of Titanium Additive Manufacturing Provides a complete review of the science technology and applications of Titanium Additive Manufacturing AM

Protect Your Macintosh Bruce Schneier, 1994-01 Uncovers a host of problems and suggested solutions for issues ranging from protecting data from thieves or spies backing up and storing files and safeguarding from viruses to choosing bars chains and locks to prevent physical removal Original All Users

Slow Blind Drive Gwen O'Toole, 2006-06-19 Slow Blind Drive is a conversation with the dead A letter to an unlikely muse and a testament to the resilience of unconditional love All at once haunting and horrific erotic and endearing this is the story of what it means to grow up a girl to find solace in addiction to have everything and give it away It s a raw and sentimental account that follows a childhood friendship as it thrives and suffers through an intimate love drug addiction mental illness and betrayal This is a story whose characters stay with you long after you ve turned the last pages

Business Marketing Management Michael D. Hutt, Thomas W. Speh, 2014 Reflecting the latest trends and issues the new Europe Middle East Africa Edition of Business Marketing Management B2B delivers comprehensive cutting edge coverage that equips students with a solid understanding of today s dynamic B2B market The similarities and differences

between consumer and business markets are clearly highlighted and there is an additional emphasis on automated B2B practices and the impact of the Internet Cengage website *Contemporary Strategy Analysis* Robert M. Grant,2013-01-22 Robert M Grant combines a highly accessible writing style with a concentration on the fundamentals of value creation and an emphasis on practicality in this leading strategy text In this new edition he includes an even greater focus on strategy implementation that reflects the needs of firms to reconcile scale economies with entrepreneurial flexibility innovation with cost efficiency and globalization with local responsiveness This edition also incorporates some of the key strategic issues of today including post financial crisis adjustment the continuing rise of China India and Brazil and the increased emphasis on ethics and sustainability Coverage is also provided on strategy in not for profit organizations *Contemporary Strategy Analysis Text and Cases 8th Edition* combines the text with an updated collection of 20 case studies It is suitable for both MBA and advanced undergraduate students Additional teaching resources are also available for instructors including an instructor s manual case teaching notes test bank teaching slides case video clips and extra cases All of these resources can be accessed via the companion website www.contemporarystrategyanalysis.com *Code of Federal Regulations* ,2012-04 **Helen of the Old House** D. Appleton and Company,2019-03-13 This work has been selected by scholars as being culturally important and is part of the knowledge base of civilization as we know it This work was reproduced from the original artifact and remains as true to the original work as possible Therefore you will see the original copyright references library stamps as most of these works have been housed in our most important libraries around the world and other notations in the work This work is in the public domain in the United States of America and possibly other nations Within the United States you may freely copy and distribute this work as no entity individual or corporate has a copyright on the body of the work As a reproduction of a historical artifact this work may contain missing or blurred pages poor pictures errant marks etc Scholars believe and we concur that this work is important enough to be preserved reproduced and made generally available to the public We appreciate your support of the preservation process and thank you for being an important part of keeping this knowledge alive and relevant **Popular Science** ,2004-12 Popular Science gives our readers the information and tools to improve their technology and their world The core belief that Popular Science and our readers share The future is going to be better and science and technology are the driving forces that will help make it better *The Revenue Growth Habit* Alex Goldfayn,2015-07-07 800 CEO Read Sales Book Of The Year for 2015 Forbes 15 Best Business Books of 2015 The chapters 46 of them in this 256 page book are quick and concise and it is easy to pick it up anywhere and find a nugget of easily actionable advice but the kicker is that the actions he recommends are also quick and concise so that we can accomplish them in the few bursts of spare time we all have left 800CEORead.com Follow Goldfayn s brilliant advice and you will have an endless supply of customer testimonials spontaneous referrals and new business and it will compel you to buy a beautiful fountain pen and stop obsessing over social media His advice simply works Inc.com Grow your business by 15% with these

proven daily growth actions Do you have trouble finding time during your hectic day to grow your business Is your company stalled because you are too busy reacting to customer problems Do you lack the funds to jumpstart an effective marketing plan The Revenue Growth Habit gives business owners leaders and all customer facing staff a hands on resource for increasing revenue that is fast easy and requires no financial investment Alex Goldfayn CEO of the Evangelist Marketing Institute shows how to grow your organization by 15% or more in 15 minutes or less per day without spending a penny of your money Forget about relying on social media Posting on Twitter Facebook and LinkedIn doesn t grow revenue especially for business to business companies The Revenue Growth Habit shows how to request and collect testimonials and how to communicate these testimonials to grow your business You will discover how to write powerful case studies ask for and get referrals grow your lists and send a revenue growing newsletter Goldfayn also includes information for teaching your customer service people how to inform your current clients about what else they can buy from you This proven approach revolves around letting your customers tell your story There is nothing you can say about your products and services that is more effective than what your paying customers say How does it work Each day take one quick proactive communication action that tells someone about how they ll be improved after buying from you Choose from the 22 actions Goldfayn details in The Revenue Growth Habit Each technique is fast simple and free It only requires your personal effort to communicate the value of your product or service to someone who can buy from you Personal communication the key to the 22 action steps will make your company stand head and shoulders above the competition

Hank Greenberg John Rosengren,2014-03-04 Baseball during the Great Depression of the 1930s galvanized communities and provided a struggling country with heroes Jewish player Hank Greenberg gave the people of Detroit and America a reason to be proud But America was facing more than economic hardship Hitler s agenda heightened the persecution of Jews abroad while anti Semitism intensified political and social tensions in the U S The six foot four inch Greenberg the nation s most prominent Jew became not only an iconic ball player but also an important and sometimes controversial symbol of Jewish identity and the American immigrant experience Throughout his twelve year baseball career and four years of military service he heard cheers wherever he went along with anti Semitic taunts The abuse drove him to legendary feats that put him in the company of the greatest sluggers of the day including Babe Ruth Jimmie Foxx and Lou Gehrig Hank s iconic status made his personal dilemmas with religion versus team and ambition versus duty national debates Hank Greenberg is an intimate account of his life a story of integrity and triumph over adversity and a portrait of one of the greatest baseball players and most important Jews of the twentieth century INCLUDES PHOTOS

Grumpypants Steve Stinson,2013-05-01 When all the guys find out that Grumpypants has a bed with two wrong sides they use their wits to fix the problem so that their friend will come out and play again

Automotive Heating & Air Conditioning Editors of Haynes Manuals,2011-05-01 Written for the do it yourselfer good enough for the pro Includes everything you wish to know about your vehicles heating and air conditioning From simple

adjustments to complete tune ups and troubleshooting Conference on Chemical Risk Assessment in the Department of Defense (DoD) Harvey J. Clewell,1992-01-01 **Scars, Marks & Tattoos** Jacqueline Caruso,2021-03-31 I have physical scars from past surgeries however I have emotional scars as well They were buried deep inside hidden It wasn't until my mother died was I able to catch my breath and to make sense of or process the emotional pain I had endured due to her prescription drug addiction resulting in my own addictions *Official Disability Guidelines 2004* Philip L. Denniston,Work-Loss Data Institute,2003

mauritanie la valla e du fleuve pdf seminary fbny - May 11 2023

web mauritanie la valla e du fleuve 1 mauritanie la valla e du fleuve costa d avorio ghana togo benin nigeria camerun la exposición universal de sevilla 1992 grand

mauve de mauritanie grande mauve mauve des bois mauve - Oct 04 2022

web malva sylvestris la mauve des bois est une plante herbacée appartenant à la famille des malvacées la sous espèce nommée scientifiquement malva sylvestris subs mauritiana

mauritanie la vallã e du fleuve by abdallahi fall andré cormillot - Aug 02 2022

web jun 13 2023 mauritanie la vallã e du fleuve by abdallahi fall andré cormillot is at hand in our book gathering an online access to it is set as public so you can get it swiftly it is not

mauritanie la vallã e du fleuve by abdallahi fall andré cormillot - Feb 25 2022

web gopolitique de la valle du sngal les flots de la revue de presse ceuta melilla 6 10 au 2 11 nomadays mauritanie martine valla le courage c est de chercher la vrit boulevard

mauritanie la vallã e du fleuve by abdallahi fall andré cormillot - Jun 12 2023

web gestion des grands fleuves allognes et logique de april 27th 2020 le fleuve sénégal par la convention de bamako du 26 juillet 1963 signée entre le mali la mauritanie et le

mauritanie la vallã e du fleuve by abdallahi fall andré cormillot - Mar 29 2022

web march 11th 2020 ocvidh est une association de mémoire de dénonciation des tueries extrajudiciaires de l esclavage du racisme des expropriations des terres des pratiques

mauritanie la valla e du fleuve download only qr bonide - Jan 07 2023

web mauritanie la valla e du fleuve 3 3 en la peor crisis global de refugiados desde el final de la segunda guerra mundial europa ha visto a lo largo de 2015 cómo llegaba a sus

mauritanie la vallã e du fleuve by abdallahi fall andré cormillot - Jan 27 2022

web racisme des expropriations des terres des pratiques de la torture des déportations des populations noires de mauritanie

et de toutes les autres tares et souffrances dont sont

mauritanie la vallã e du fleuve by abdallahi fall andré cormillot - Jul 01 2022

web april 18th 2020 le sultan étend l autorité chérifienne sur la mauritanie jusqu au fleuve sénégal grâce au concours des émirs maures et hassanis de l adrar du trarza du

mauritanie la vallã e du fleuve by abdallahi fall andré cormillot - Apr 29 2022

web mauritanie la vallã e du fleuve by abdallahi fall andré cormillot livres histoire internationale pas cher ou d occasion mauritanie la valle du fleuve du

mauritanie la vallã e du fleuve by abdallahi fall andré - Mar 09 2023

web jun 21 2023 mauritanie la vallã e du fleuve by abdallahi fall andré cormillot books that will find the money for you worth fetch the definitely best seller from us nowfrom

mauritanie à turquie par avion voiture rome2rio - Nov 05 2022

web vous avez 8 manières de vous rendre de mauritanie à turquie la moins chère est en avion à istanbul ce qui coûte 16 252 8378 c est également la manière la plus rapide

mauritanie la vallã e du fleuve by abdallahi fall andré cormillot - Oct 24 2021

web mauritanie la vallã e du fleuve by abdallahi fall andré cormillot adrien delvoye ethnologie prhistorique phosphate deposits of the senegal mauritania guinea basin

mauritanie la vallã e du fleuve by abdallahi fall andré cormillot - Nov 24 2021

web april 27th 2020 le fleuve sénégal par la convention de bamako du 26 juillet 1963 signée entre le mali la mauritanie et le sénégal et ratifiée le 7 février stipule l exploitation

mauritanie la vallã e du fleuve by abdallahi fall andré cormillot - Sep 22 2021

web des terres des pratiques de la torture des déportations des populations noires de mauritanie et de toutes les autres tares et souffrances dont sont victimes les

mauritanie la vallã e du fleuve by abdallahi fall andré cormillot - May 31 2022

web april 18th 2020 le sultan étend l autorité chérifienne sur la mauritanie jusqu au fleuve sénégal grâce au concours des émirs maures et hassanis de l adrar du trarza du

mauve de mauritanie bio semences du portage - Sep 03 2022

web le moment suggéré pour l item mauve de mauritanie bio concerne la zone 4 b pour la zone 5 on peut devancer le moment de 2 semaines et en zone 3 le retarder de 2

mauritanie la vallã e du fleuve by abdallahi fall andré - Feb 08 2023

web jun 10 2023 simply stated the mauritanie la vallã e du fleuve by abdallahi fall andré cormillot is widely harmonious with

any devices to browse it is your certainly own mature

[mauritanie la vallã e du fleuve by abdallahi fall andré cormillot](#) - Dec 26 2021

web may 1st 2020 détours mauritanie la ville de chinguetti blottie au milieu des plateaux désertiques de l adrar détours mauritanie le sud de la mauritanie est couvert d une

mauritanie la valla e du fleuve pdf ftp bonide - Apr 10 2023

web mauritanie la valla e du fleuve downloaded from ftp bonide com by guest israel travis national union catalog language science press records for the 2d sess

mauritanie violations des droits de l homme dans la vallee du - Dec 06 2022

web sep 30 1990 mauritanie violations des droits de l homme dans la vallee du fleuve senegal 9107f septembre 30 1990 index number afr 38 010 1990 si vous avez

mauritanie la vallã e du fleuve by abdallahi fall andré - Aug 14 2023

web immigration et développement dans la vallée du fleuve sénégal le fleuve sénégal par la convention de bamako du 26 juillet 1963 signée entre le mali la mauritanie et le sénégal et ratifiée le 7 février stipule l exploitation rationnelle des ressources des

mauritanie la vallã e du fleuve by abdallahi fall andré - Jul 13 2023

web mauritanie la vallã e du fleuve by abdallahi fall andré cormillot la guerre du mali est un conflit armé qui a lieu au mali depuis 2012 À la suite pollué par des ordures

[fenerbahçe kayserispor maçı sonrası erman toroğlu açıkladı](#) - Oct 25 2021

[murder at fenway park by troy soos open library](#) - Mar 30 2022

web sep 12 2023 gleyber torres keyed the yankees to their first doubleheader sweep at fenway park since 2006 leading new york over the boston red sox 3 2 and 4 1 on

yankees sweep fenway park doubleheader for first time since - Dec 27 2021

murder at fenway park by troy soos the storygraph - Apr 30 2022

web murder at fenway park a mickey rawlings baseball mystery mickey rawlings baseball mysteries troy soos not in library iraqi kurdish civil war of 1990

murder at fenway park a mickey rawlings baseball mystery - Jan 28 2022

web nov 7 2021 süper lig in 12 haftasında fenerbahçe sahasında kayserispor la 2 2 berabere kaldı sarı lacivertliler mücadelenin 33 dakikasında İrfan can kahveci yle

murder at fenway park a mickey rawlings baseball mystery - Nov 06 2022

web read murder at fenway park by troy soos for free on hoopla boston 1912 fenway has just opened ty cobb is a nationwide sensation and rookie mickey rawlings

feneryolu cinayetleri gencoy sümer fiyat satın al d r - Nov 25 2021

2010 fenway park heist historica wiki fandom - Feb 26 2022

web sepete ekle İnce kapak velinimet kırtasiyesi polisiye Öyküleri 2 gencoy sümer 44 00 tl herdem kitap sepete ekle İnce kapak feneryolu cinayetleri gencoy sümer 44 00 tl

murder at fenway park by troy soos audiobook audible com - Feb 09 2023

web murder at fenway park a mickey rawlings baseball mystery ebook written by troy soos read this book using google play books app on your pc android ios devices

murder at fenway park by troy soos librarything - Dec 07 2022

web fenway has just opened ty cobb is a nationwide sensation and rookie mickey rawlings has finally made it to the majors but just when he sets foot inside the confines of the

murder at fenway park ebook by troy soos hoopla - Aug 03 2022

web murder at fenway park mickey rawlings 1 troy soos 256 pages first pub 1994 isbn uid none format not specified language english publisher not specified

murder at fenway park troy soos free download borrow - Jul 02 2022

web feb 3 2023 murder at fenway park by troy soos 1997 recorded books edition audio cd in english

murder at fenway park on apple books - Jan 08 2023

web feb 26 2013 a red sox rookie is accused of murder in the first mickey rawlings historical mystery that will leave readers eager for subsequent innings publishers weekly

murder at fenway park by troy soos overdrive - Oct 05 2022

web access restricted item true addeddate 2014 08 27 14 36 38 072948 boxid ia1145609 city new york ny donor bostonpubliclibrary external identifier

murder at fenway park soos troy 1957 free download - Jun 01 2022

web the 2010 fenway park heist occurred in 2010 when a heist crew led by doug macray stole 3 500 000 in gate cash from the fenway park baseball stadium in boston

murder at fenway park a mickey rawlings baseball mystery - Sep 04 2022

web murder at fenway park by soos troy 1957 publication date 1995 topics mystery detective general fiction mystery

detective large print cobb ty 1886 1961

murder at fenway park a mickey rawlings baseball - Aug 15 2023

web with johnny heller s expressive narration murder at fenway park becomes exciting for baseball fans and all who enjoy a good mystery read more 1994 troy soos p 1997

murder at fenway park amazon com - Jun 13 2023

web apr 25 2012 murder at fenway park a mickey rawlings baseball mystery a mickey rawlings mystery ebook soos troy amazon co uk kindle store

murder at fenway park a mickey rawlings baseball - Apr 11 2023

web a red sox rookie is accused of murder in the first mickey rawlings historical mystery that will leave readers eager for subsequent innings publishers weekly boston 1912

murder at fenway park a mickey rawlings baseball mystery a - Mar 10 2023

web after finding one of his baseball cards red sox utility infielder mickey rawlings finds himself transported back to 1912 he heads to fenway park discovers a dead body and is

murder at fenway park by troy soos publishers weekly - May 12 2023

web murder at fenway park troy soos as a baseball lover and mystery lover i found this book to be a fun beginning to a baseball mystery series in 1912 a young baseball

murder at fenway park mickey rawlings series 1 ebook - Jul 14 2023

web murder at fenway park troy soos zebra 14 95 252pp isbn 978 0 8217 4518 2 on a visit to cooperstown mickey rawlings the oldest living ex ballplayer discovers his

patchworks sans couture sur carton mousse label emmaüs - Apr 14 2023

web patchworks sans couture sur carton moussedu carton mousse un cutter du tissu il n en faut pas plus pour réaliser ces très

tableau patchwork sur carton mousse la balançoire blogger - Mar 13 2023

web jan 17 2013 ce week end je me suis lancée dans la confection de tableaux patchwork en carton mousse sans couture ce n est pas trop difficile j ai commencé par un petit dessin et c était très sympa à faire

patchworks sans couture sur carton mousse - Jan 31 2022

web une technique simple sans couture à base de tissu et de carton mousse plus de 20 réalisations originales en aplat ou *patchworks sans couture sur carton mousse volume full pdf* - Jul 05 2022

web 2 patchworks sans couture sur carton mousse volume 2020 08 15 les feefeedille à paris 3 ans après un premier livre la magie des couleurs l atelier de création parisien feefeedille présente un deuxième livre les feefeedille à paris 18 créations

originales sont ainsi dévoilées toutes en patchwork

[patchworks sans couture sur carton mousse label emmaüs](#) - Sep 19 2023

web patchworks sans couture sur carton mousse du carton mousse un cutter du tissu il n en faut pas plus pour réaliser ces très originaux tableaux en volume au moyen d une technique nouvelle sans couture qui modifie tout à fait la notion du patchwork traditionnel

[patchworks sans couture sur carton mousse volume 3 décors et](#) - Jun 16 2023

web 45 p 2 f de dépl 30 cm skip to main content due to a planned power outage on friday 1 14 between 8am 1pm pst some services may be impacted patchworks sans couture sur carton mousse volume 3 décors et fêtes item preview remove circle share or embed this item share to twitter share to facebook share to reddit

[patchworks sans couture sur carton mousse decitre](#) - Jul 17 2023

web apr 17 1997 du carton mousse un cutter du tissu il n en faut pas plus pour réaliser ces très originaux tableaux en volume au moyen d une technique nouvelle sans couture qui modifie tout à fait la notion du patchwork traditionnel

patchworks sans couture sur carton mousse decitre - Jun 04 2022

web oct 3 1998 une technique simple sans couture à base de tissu et de carton mousse plus de 20 réalisations originales en aplat ou en volume à réaliser seul ou en famille des conseils techniques des photos d étape et des patrons à taille réelle vous guideront pas à pas dans le cheminement de votre travail

patchworks sans couture sur carton mousse tome 4 amazon fr - Apr 02 2022

web noté 5 retrouvez patchworks sans couture sur carton mousse tome 4 les vieux métiers et des millions de livres en stock sur amazon fr achetez neuf ou d occasion

patchwork sans coutures sur carton mousse decitre - Feb 12 2023

web découvrez sur decitre fr patchwork sans coutures sur carton mousse volume 3 décors et fêtes par brigitte le dilly collection faites vous même librairie decitre

patchwork sans coutures sur carton mousse volume 3 décors et - Oct 08 2022

web patchwork sans coutures sur carton mousse volume 3 décors et fêtes le dilly brigitte amazon es livres

[patchworks sur carton mousse sans couture volume 1](#) - Aug 18 2023

web mar 4 1997 du carton mousse un cutter du tissu il n en faut pas plus pour réaliser ces très originaux tableaux en volume au moyen d une technique nouvelle sans couture qui modifie tout à fait la notion du patchwork traditionnel sandrine et jean luc préterre

patchwork sur carton mousse abebooks - Jan 11 2023

web patchworks sur carton mousse sans couture vol 3 décors et fêtes de brigitte le dilly et d autres livres articles d art et de

collection similaires disponibles sur abebooks fr

patchwork sur carton mousse - Sep 07 2022

web oct 1 2018 patchwork sur carton mousse exposition musique catégorie blog art date de création 12 08 2008 dernière mise à jour 02 10 2018 rubriques je suis a la recherche de modeles en carton mousse car je viens de commencer cette activite mais je n en trouv par broussier le 15 06 2012

amazon fr patchwork sur carton mousse livres - Nov 09 2022

web patchworks sans couture sur carton mousse volume 3 décors et fêtes de brigitte le dilly 1 août 1999 4 7 8

patchworks sans couture sur carton mousse amazon fr - Mar 01 2022

web retrouvez patchworks sans couture sur carton mousse et des millions de livres en stock sur amazon fr achetez neuf ou d occasion amazon fr patchworks sans couture sur carton mousse préterre jean luc préterre sandrine livres

patchworks sans couture sur carton mousse download only - Aug 06 2022

web patchworks sans couture sur carton mousse is available in our digital library an online access to it is set as public so you can get it instantly our book servers hosts in multiple locations allowing you to get the most less latency time to

patron patchwork sur carton mousse - Dec 10 2022

web publicités vous avez un projet patchwork en préparation et vous cherchez un patron patchwork sur carton mousse voici quelques modèles qui résument bien cet axe patchwork sur carton mousse inspirez vous en librement et ou imprimez des modèles

amazon fr patchworks sans couture sur carton mousse volume - May 15 2023

web noté 5 retrouvez patchworks sans couture sur carton mousse volume 3 décors et fêtes et des millions de livres en stock sur amazon fr achetez neuf ou d occasion

patchworks sans couture sur carton mousse label emmaüs - May 03 2022

web patchworks sans couture sur carton moussedu carton mousse un cutter du tissu il n en faut pas plus pour réaliser ces très

Immerse yourself in the artistry of words with Experience Art with its expressive creation, Discover the Artistry of **1997 Acura Tl Output Shaft Seal Manual** . This ebook, presented in a PDF format (*), is a masterpiece that goes beyond conventional storytelling. Indulge your senses in prose, poetry, and knowledge. Download now to let the beauty of literature and artistry envelop your mind in a unique and expressive way.

https://offsite.creighton.edu/files/virtual-library/Documents/go_math_grade_2_pdf.pdf

https://offsite.creighton.edu/files/virtual-library/Documents/goldman_sachs_beer_mile.pdf

https://offsite.creighton.edu/files/virtual-library/Documents/god_turn_it_around_piano_chords.pdf

Table of Contents 1997 Acura Tl Output Shaft Seal Manual

1. Understanding the eBook 1997 Acura Tl Output Shaft Seal Manual
 - The Rise of Digital Reading 1997 Acura Tl Output Shaft Seal Manual
 - Advantages of eBooks Over Traditional Books
2. Identifying 1997 Acura Tl Output Shaft Seal Manual
 - Exploring Different Genres
 - Considering Fiction vs. Non-Fiction
 - Determining Your Reading Goals
3. Choosing the Right eBook Platform
 - Popular eBook Platforms
 - Features to Look for in a 1997 Acura Tl Output Shaft Seal Manual
 - User-Friendly Interface
4. Exploring eBook Recommendations from 1997 Acura Tl Output Shaft Seal Manual
 - Personalized Recommendations

- 1997 Acura TL Output Shaft Seal Manual User Reviews and Ratings
- 1997 Acura TL Output Shaft Seal Manual and Bestseller Lists
- 5. Accessing 1997 Acura TL Output Shaft Seal Manual Free and Paid eBooks
 - 1997 Acura TL Output Shaft Seal Manual Public Domain eBooks
 - 1997 Acura TL Output Shaft Seal Manual eBook Subscription Services
 - 1997 Acura TL Output Shaft Seal Manual Budget-Friendly Options
- 6. Navigating 1997 Acura TL Output Shaft Seal Manual eBook Formats
 - ePub, PDF, MOBI, and More
 - 1997 Acura TL Output Shaft Seal Manual Compatibility with Devices
 - 1997 Acura TL Output Shaft Seal Manual Enhanced eBook Features
- 7. Enhancing Your Reading Experience
 - Adjustable Fonts and Text Sizes of 1997 Acura TL Output Shaft Seal Manual
 - Highlighting and Note-Taking 1997 Acura TL Output Shaft Seal Manual
 - Interactive Elements 1997 Acura TL Output Shaft Seal Manual
- 8. Staying Engaged with 1997 Acura TL Output Shaft Seal Manual
 - Joining Online Reading Communities
 - Participating in Virtual Book Clubs
 - Following Authors and Publishers 1997 Acura TL Output Shaft Seal Manual
- 9. Balancing eBooks and Physical Books 1997 Acura TL Output Shaft Seal Manual
 - Benefits of a Digital Library
 - Creating a Diverse Reading Collection 1997 Acura TL Output Shaft Seal Manual
- 10. Overcoming Reading Challenges
 - Dealing with Digital Eye Strain
 - Minimizing Distractions
 - Managing Screen Time
- 11. Cultivating a Reading Routine 1997 Acura TL Output Shaft Seal Manual
 - Setting Reading Goals 1997 Acura TL Output Shaft Seal Manual
 - Carving Out Dedicated Reading Time
- 12. Sourcing Reliable Information of 1997 Acura TL Output Shaft Seal Manual
 - Fact-Checking eBook Content of 1997 Acura TL Output Shaft Seal Manual

- Distinguishing Credible Sources
- 13. Promoting Lifelong Learning
 - Utilizing eBooks for Skill Development
 - Exploring Educational eBooks
- 14. Embracing eBook Trends
 - Integration of Multimedia Elements
 - Interactive and Gamified eBooks

1997 Acura TL Output Shaft Seal Manual Introduction

In the digital age, access to information has become easier than ever before. The ability to download 1997 Acura TL Output Shaft Seal Manual has revolutionized the way we consume written content. Whether you are a student looking for course material, an avid reader searching for your next favorite book, or a professional seeking research papers, the option to download 1997 Acura TL Output Shaft Seal Manual has opened up a world of possibilities. Downloading 1997 Acura TL Output Shaft Seal Manual provides numerous advantages over physical copies of books and documents. Firstly, it is incredibly convenient. Gone are the days of carrying around heavy textbooks or bulky folders filled with papers. With the click of a button, you can gain immediate access to valuable resources on any device. This convenience allows for efficient studying, researching, and reading on the go. Moreover, the cost-effective nature of downloading 1997 Acura TL Output Shaft Seal Manual has democratized knowledge. Traditional books and academic journals can be expensive, making it difficult for individuals with limited financial resources to access information. By offering free PDF downloads, publishers and authors are enabling a wider audience to benefit from their work. This inclusivity promotes equal opportunities for learning and personal growth. There are numerous websites and platforms where individuals can download 1997 Acura TL Output Shaft Seal Manual. These websites range from academic databases offering research papers and journals to online libraries with an expansive collection of books from various genres. Many authors and publishers also upload their work to specific websites, granting readers access to their content without any charge. These platforms not only provide access to existing literature but also serve as an excellent platform for undiscovered authors to share their work with the world. However, it is essential to be cautious while downloading 1997 Acura TL Output Shaft Seal Manual. Some websites may offer pirated or illegally obtained copies of copyrighted material. Engaging in such activities not only violates copyright laws but also undermines the efforts of authors, publishers, and researchers. To ensure ethical downloading, it is advisable to utilize reputable websites that prioritize the legal distribution of content. When downloading 1997 Acura TL Output Shaft Seal Manual, users should also consider the potential security risks associated with online platforms. Malicious actors may exploit

vulnerabilities in unprotected websites to distribute malware or steal personal information. To protect themselves, individuals should ensure their devices have reliable antivirus software installed and validate the legitimacy of the websites they are downloading from. In conclusion, the ability to download 1997 Acura TL Output Shaft Seal Manual has transformed the way we access information. With the convenience, cost-effectiveness, and accessibility it offers, free PDF downloads have become a popular choice for students, researchers, and book lovers worldwide. However, it is crucial to engage in ethical downloading practices and prioritize personal security when utilizing online platforms. By doing so, individuals can make the most of the vast array of free PDF resources available and embark on a journey of continuous learning and intellectual growth.

FAQs About 1997 Acura TL Output Shaft Seal Manual Books

1. Where can I buy 1997 Acura TL Output Shaft Seal Manual books? Bookstores: Physical bookstores like Barnes & Noble, Waterstones, and independent local stores. Online Retailers: Amazon, Book Depository, and various online bookstores offer a wide range of books in physical and digital formats.
2. What are the different book formats available? Hardcover: Sturdy and durable, usually more expensive. Paperback: Cheaper, lighter, and more portable than hardcovers. E-books: Digital books available for e-readers like Kindle or software like Apple Books, Kindle, and Google Play Books.
3. How do I choose a 1997 Acura TL Output Shaft Seal Manual book to read? Genres: Consider the genre you enjoy (fiction, non-fiction, mystery, sci-fi, etc.). Recommendations: Ask friends, join book clubs, or explore online reviews and recommendations. Author: If you like a particular author, you might enjoy more of their work.
4. How do I take care of 1997 Acura TL Output Shaft Seal Manual books? Storage: Keep them away from direct sunlight and in a dry environment. Handling: Avoid folding pages, use bookmarks, and handle them with clean hands. Cleaning: Gently dust the covers and pages occasionally.
5. Can I borrow books without buying them? Public Libraries: Local libraries offer a wide range of books for borrowing. Book Swaps: Community book exchanges or online platforms where people exchange books.
6. How can I track my reading progress or manage my book collection? Book Tracking Apps: Goodreads, LibraryThing, and Book Catalogue are popular apps for tracking your reading progress and managing book collections. Spreadsheets: You can create your own spreadsheet to track books read, ratings, and other details.
7. What are 1997 Acura TL Output Shaft Seal Manual audiobooks, and where can I find them? Audiobooks: Audio

recordings of books, perfect for listening while commuting or multitasking. Platforms: Audible, LibriVox, and Google Play Books offer a wide selection of audiobooks.

8. How do I support authors or the book industry? Buy Books: Purchase books from authors or independent bookstores. Reviews: Leave reviews on platforms like Goodreads or Amazon. Promotion: Share your favorite books on social media or recommend them to friends.
9. Are there book clubs or reading communities I can join? Local Clubs: Check for local book clubs in libraries or community centers. Online Communities: Platforms like Goodreads have virtual book clubs and discussion groups.
10. Can I read 1997 Acura TL Output Shaft Seal Manual books for free? Public Domain Books: Many classic books are available for free as they're in the public domain. Free E-books: Some websites offer free e-books legally, like Project Gutenberg or Open Library.

Find 1997 Acura TL Output Shaft Seal Manual :

go math grade 2 pdf

[goldman sachs beer mile](#)

god turn it around piano chords

[goals for anxiety and depression](#)

gertrude chandler warner books

[global history and geography ii regents review packet](#)

god bless you christmas song

get better faster book

golden eagle bow

[gift ideas for couponers](#)

gm remanufactured transfer case

[geometry review quiz 5 answer key](#)

[global logistics definition](#)

[georgia coach books](#)

[gemba board manufacturing](#)

1997 Acura TL Output Shaft Seal Manual :