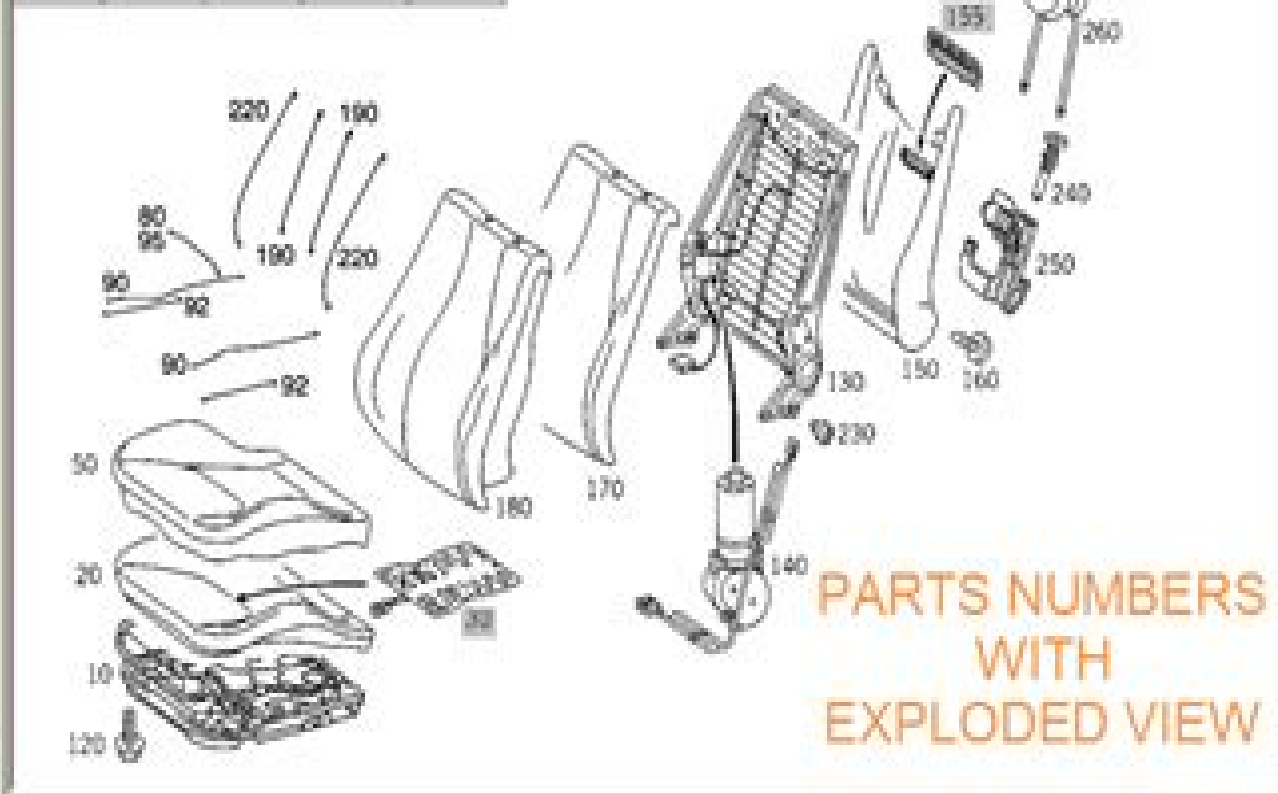




✓	Item	Part number	Designation/Description
<input type="checkbox"/>	10	A 220 910 03 22	<b>CUSHION FRAME LEFT</b> <a href="#">BOM From Chassis</a>
<input type="checkbox"/>	20	A 220 910 02 50	<b>REST LEFT SEAT</b> <a href="#">BOM From Chassis</a> <a href="#">Code: 481</a>
<input type="checkbox"/>	50	A 220 910 05 46 8072	<b>COVER LEATHER TRIM LEFT</b> <a href="#">BOM From Color Set</a> <a href="#">Code: 2706</a>
<input type="checkbox"/>	80	A 460 924 00 29	<b>CLAMP CROSS STAPLE UPHOLSTE LEFT SEAT 205PH</b>
<input type="checkbox"/>	90	A 220 914 05 29	<b>CLAMP LONGITUDINAL STAPLE LI OUT. LEFT/RIGHT, LEFT S</b> <a href="#">BOM From Chassis</a>
<input type="checkbox"/>	92	A 460 924 00 29	<b>CLAMP LONGITUDINAL STAPLE LI CENTER LEFT SEAT 205PH</b>
<input type="checkbox"/>	95	A 203 914 03 29	<b>CLAMP CROSS STAPLE FRONT 20</b>
<input type="checkbox"/>	100	A 006 968 09 78	<b>CLIP STAPLE CUSHION BACK, L</b>
<input type="checkbox"/>	110	A 006 968 12 78	<b>CLIP UPHOLSTERY FO-CUSHION</b>
<input type="checkbox"/>	120	N 924130 006006	<b>SCREW LEFT SEAT CUSHION AT 5.7</b>



# **Mercedes Benz Parts Repair Manual**

**Spencer J. Drayton, Mark  
Coombs, Steve Rendle**



Mercedes Benz Parts Repair Manual

Uncover the mysteries within Explore with is enigmatic creation, Embark on a Mystery with **Mercedes Benz Parts Repair Manual** . This downloadable ebook, shrouded in suspense, is available in a PDF format ( PDF Size: \*). Dive into a world of uncertainty and anticipation. Download now to unravel the secrets hidden within the pages.

[https://offsite.creighton.edu/About/uploaded-files/Download\\_PDFS/Fruit\\_Of\\_The\\_Spirit\\_Icebreaker\\_Game.pdf](https://offsite.creighton.edu/About/uploaded-files/Download_PDFS/Fruit_Of_The_Spirit_Icebreaker_Game.pdf)

[https://offsite.creighton.edu/About/uploaded-files/Download\\_PDFS/Funky\\_Bass\\_Technique.pdf](https://offsite.creighton.edu/About/uploaded-files/Download_PDFS/Funky_Bass_Technique.pdf)

[https://offsite.creighton.edu/About/uploaded-files/Download\\_PDFS/frys%20sight%20word%20list.pdf](https://offsite.creighton.edu/About/uploaded-files/Download_PDFS/frys%20sight%20word%20list.pdf)

## **Table of Contents Mercedes Benz Parts Repair Manual**

1. Understanding the eBook Mercedes Benz Parts Repair Manual
  - The Rise of Digital Reading Mercedes Benz Parts Repair Manual
  - Advantages of eBooks Over Traditional Books
2. Identifying Mercedes Benz Parts Repair Manual
  - Exploring Different Genres
  - Considering Fiction vs. Non-Fiction
  - Determining Your Reading Goals
3. Choosing the Right eBook Platform
  - Popular eBook Platforms
  - Features to Look for in an Mercedes Benz Parts Repair Manual
  - User-Friendly Interface
4. Exploring eBook Recommendations from Mercedes Benz Parts Repair Manual
  - Personalized Recommendations
  - Mercedes Benz Parts Repair Manual User Reviews and Ratings
  - Mercedes Benz Parts Repair Manual and Bestseller Lists
5. Accessing Mercedes Benz Parts Repair Manual Free and Paid eBooks
  - Mercedes Benz Parts Repair Manual Public Domain eBooks
  - Mercedes Benz Parts Repair Manual eBook Subscription Services
  - Mercedes Benz Parts Repair Manual Budget-Friendly Options
6. Navigating Mercedes Benz Parts Repair Manual eBook Formats

- ePub, PDF, MOBI, and More
- Mercedes Benz Parts Repair Manual Compatibility with Devices
- Mercedes Benz Parts Repair Manual Enhanced eBook Features
- 7. Enhancing Your Reading Experience
  - Adjustable Fonts and Text Sizes of Mercedes Benz Parts Repair Manual
  - Highlighting and Note-Taking Mercedes Benz Parts Repair Manual
  - Interactive Elements Mercedes Benz Parts Repair Manual
- 8. Staying Engaged with Mercedes Benz Parts Repair Manual
  - Joining Online Reading Communities
  - Participating in Virtual Book Clubs
  - Following Authors and Publishers Mercedes Benz Parts Repair Manual
- 9. Balancing eBooks and Physical Books Mercedes Benz Parts Repair Manual
  - Benefits of a Digital Library
  - Creating a Diverse Reading Collection Mercedes Benz Parts Repair Manual
- 10. Overcoming Reading Challenges
  - Dealing with Digital Eye Strain
  - Minimizing Distractions
  - Managing Screen Time
- 11. Cultivating a Reading Routine Mercedes Benz Parts Repair Manual
  - Setting Reading Goals Mercedes Benz Parts Repair Manual
  - Carving Out Dedicated Reading Time
- 12. Sourcing Reliable Information of Mercedes Benz Parts Repair Manual
  - Fact-Checking eBook Content of Mercedes Benz Parts Repair Manual
  - Distinguishing Credible Sources
- 13. Promoting Lifelong Learning
  - Utilizing eBooks for Skill Development
  - Exploring Educational eBooks
- 14. Embracing eBook Trends
  - Integration of Multimedia Elements
  - Interactive and Gamified eBooks

## Mercedes Benz Parts Repair Manual Introduction

Free PDF Books and Manuals for Download: Unlocking Knowledge at Your Fingertips In today's fast-paced digital age, obtaining valuable knowledge has become easier than ever. Thanks to the internet, a vast array of books and manuals are now available for free download in PDF format. Whether you are a student, professional, or simply an avid reader, this treasure trove of downloadable resources offers a wealth of information, conveniently accessible anytime, anywhere. The advent of online libraries and platforms dedicated to sharing knowledge has revolutionized the way we consume information. No longer confined to physical libraries or bookstores, readers can now access an extensive collection of digital books and manuals with just a few clicks. These resources, available in PDF, Microsoft Word, and PowerPoint formats, cater to a wide range of interests, including literature, technology, science, history, and much more. One notable platform where you can explore and download free Mercedes Benz Parts Repair Manual PDF books and manuals is the internet's largest free library. Hosted online, this catalog compiles a vast assortment of documents, making it a veritable goldmine of knowledge. With its easy-to-use website interface and customizable PDF generator, this platform offers a user-friendly experience, allowing individuals to effortlessly navigate and access the information they seek. The availability of free PDF books and manuals on this platform demonstrates its commitment to democratizing education and empowering individuals with the tools needed to succeed in their chosen fields. It allows anyone, regardless of their background or financial limitations, to expand their horizons and gain insights from experts in various disciplines. One of the most significant advantages of downloading PDF books and manuals lies in their portability. Unlike physical copies, digital books can be stored and carried on a single device, such as a tablet or smartphone, saving valuable space and weight. This convenience makes it possible for readers to have their entire library at their fingertips, whether they are commuting, traveling, or simply enjoying a lazy afternoon at home. Additionally, digital files are easily searchable, enabling readers to locate specific information within seconds. With a few keystrokes, users can search for keywords, topics, or phrases, making research and finding relevant information a breeze. This efficiency saves time and effort, streamlining the learning process and allowing individuals to focus on extracting the information they need. Furthermore, the availability of free PDF books and manuals fosters a culture of continuous learning. By removing financial barriers, more people can access educational resources and pursue lifelong learning, contributing to personal growth and professional development. This democratization of knowledge promotes intellectual curiosity and empowers individuals to become lifelong learners, promoting progress and innovation in various fields. It is worth noting that while accessing free Mercedes Benz Parts Repair Manual PDF books and manuals is convenient and cost-effective, it is vital to respect copyright laws and intellectual property rights. Platforms offering free downloads often operate within legal boundaries, ensuring that the materials they provide are either in the public domain or authorized for distribution. By adhering to copyright laws, users can enjoy the benefits of free access to knowledge while supporting the authors and

publishers who make these resources available. In conclusion, the availability of Mercedes Benz Parts Repair Manual free PDF books and manuals for download has revolutionized the way we access and consume knowledge. With just a few clicks, individuals can explore a vast collection of resources across different disciplines, all free of charge. This accessibility empowers individuals to become lifelong learners, contributing to personal growth, professional development, and the advancement of society as a whole. So why not unlock a world of knowledge today? Start exploring the vast sea of free PDF books and manuals waiting to be discovered right at your fingertips.

### **FAQs About Mercedes Benz Parts Repair Manual Books**

1. Where can I buy Mercedes Benz Parts Repair Manual books? Bookstores: Physical bookstores like Barnes & Noble, Waterstones, and independent local stores. Online Retailers: Amazon, Book Depository, and various online bookstores offer a wide range of books in physical and digital formats.
2. What are the different book formats available? Hardcover: Sturdy and durable, usually more expensive. Paperback: Cheaper, lighter, and more portable than hardcovers. E-books: Digital books available for e-readers like Kindle or software like Apple Books, Kindle, and Google Play Books.
3. How do I choose a Mercedes Benz Parts Repair Manual book to read? Genres: Consider the genre you enjoy (fiction, non-fiction, mystery, sci-fi, etc.). Recommendations: Ask friends, join book clubs, or explore online reviews and recommendations. Author: If you like a particular author, you might enjoy more of their work.
4. How do I take care of Mercedes Benz Parts Repair Manual books? Storage: Keep them away from direct sunlight and in a dry environment. Handling: Avoid folding pages, use bookmarks, and handle them with clean hands. Cleaning: Gently dust the covers and pages occasionally.
5. Can I borrow books without buying them? Public Libraries: Local libraries offer a wide range of books for borrowing. Book Swaps: Community book exchanges or online platforms where people exchange books.
6. How can I track my reading progress or manage my book collection? Book Tracking Apps: Goodreads, LibraryThing, and Book Catalogue are popular apps for tracking your reading progress and managing book collections. Spreadsheets: You can create your own spreadsheet to track books read, ratings, and other details.
7. What are Mercedes Benz Parts Repair Manual audiobooks, and where can I find them? Audiobooks: Audio recordings of books, perfect for listening while commuting or multitasking. Platforms: Audible, LibriVox, and Google Play Books offer a wide selection of audiobooks.

8. How do I support authors or the book industry? Buy Books: Purchase books from authors or independent bookstores. Reviews: Leave reviews on platforms like Goodreads or Amazon. Promotion: Share your favorite books on social media or recommend them to friends.
9. Are there book clubs or reading communities I can join? Local Clubs: Check for local book clubs in libraries or community centers. Online Communities: Platforms like Goodreads have virtual book clubs and discussion groups.
10. Can I read Mercedes Benz Parts Repair Manual books for free? Public Domain Books: Many classic books are available for free as they're in the public domain. Free E-books: Some websites offer free e-books legally, like Project Gutenberg or Open Library.

### **Find Mercedes Benz Parts Repair Manual :**

[fruit of the spirit icebreaker game](#)

[funky bass technique](#)

**fry's sight word list**

[free network simulation software](#)

**funny awards to give friends**

**free lace knitting pattern**

[freed spirits animal rescue](#)

[framing quilt blocks](#)

**fractions into decimals chart**

[fritz's patriot place](#)

[fum fum fum meaning](#)

[free transition plan template](#)

*frog dissection steps*

**funny famous speeches**

[free algebra study guide](#)

### **Mercedes Benz Parts Repair Manual :**

**headed for the win nadia and winny book 1 english edition by** - Sep 03 2022

web jun 6 2023 for the win nadia and winny book 1 english partner that we have enough money here and check out the link



you could purchase lead headed for the win nadia

**headed for the win nadia and winny book 1 english pdf** - Aug 02 2022

web headed for the win nadia and winny book 1 english 1 8 downloaded from uniport edu ng on june 30 2023 by guest

headed for the win nadia and winny book 1 english

**headwind 21 2021 imdb** - Feb 25 2022

web find 31 ways to say headed for along with antonyms related words and example sentences at thesaurus com the world s most trusted free thesaurus

**headed for the win nadia and winny book 1 page 14** - Oct 04 2022

web purchasing a mare nicknamed winny nadia is sure she s bound for equestrian greatness but on the cusp of their most challenging three day event yet winny bucks nadia off in

headed for the win nadia and winny book 1 english pdf - Jul 01 2022

web headed for the win nadia and winny book 1 english edition by rachael eliker show horse wasn t hard enough nadia has to figure out a way to tell the dashing mike how

**headie one edna medley live at the brit awards 2021 ft** - Oct 24 2021

**headed for the win nadia and winny book 1 english edition by** - Sep 22 2021

headed for the win nadia and winny book 1 page 5 - Jan 07 2023

web danika and ms diederich were intently discussing something probably the disaster that was winny and me it was fairly obvious they weren t pleased by their unwavering gaze

the head 4 1 u cimahqadmin - Jan 27 2022

web won by a head is a 1920 british silent sports film directed by percy nash and starring rex davis frank tennant and vera cornish it was set in the horseracing world cast rex

headed for the win nadia and winny book 1 mybookcave com - Mar 09 2023

web headed for the win nadia p 17 headed for the win nadia and winny book 1 page 17 select voice brian uk emma uk amy uk eric us ivy us joey us salli us

**headed for the win nadia and winny book 1 page 9** - Dec 06 2022

web each test was several hours apart giving me time to pull myself together and let winny refuel mike was busy with a couple of high strung thoroughbreds who d clipped off their

won by a head wikipedia - Nov 24 2021

web headed for the win nadia and winny book 1 english edition by rachael eliker headed for the win nadia and winny book 1 english edition by rachael eliker

[headed for the win nadia and winny book 1 page 17](#) - Feb 08 2023

web the lights of the nearest town faded as we sped north on i 74 only the occasional semi truck crossed our path shining their headlights through the car i looked up at the sky

[headed for the win nadia and winny book 1 ereaderiq](#) - May 11 2023

web winny smacked me on the neck and breathed good girl the clapping in the crowd had avalanched from mike kristi and sidney who were practically our own personal cheer

[headed for the win nadia winny 1 goodreads](#) - Aug 14 2023

web meet nadia and her horse winny who are working hard together to rise in the world of equestrian eventing competitions what happens when a girl makes a heart felt birthday

**headed for the win nadia and winny book 1 english edition by** - May 31 2022

web jun 30 2023 1 headed for the win nadia and winny book 1 english pdf as recognized adventure as capably as experience just about lesson amusement as well

[headed for the win nadia and winny book 1 page 11](#) - Apr 10 2023

web sure she s bound for equestrian greatness nadia wells is still humiliated in front of her peers when she hopes to better understand her horse her wish is granted in a very

**headed for the win nadia and winny book 1 english pdf book** - Apr 29 2022

web apr 3 2023 you may not be perplexed to enjoy all book collections headed for the win nadia and winny book 1 english that we will agreed offer it is not almost the costs its

**headed for synonyms 31 synonyms antonyms for** - Dec 26 2021

web may 11 2021 music video by headie one performing edna medley live at the brit awards 2021 c 2021 relentless records under exclusive licence to sony music

**headed for the win nadia and winny book 1 page 1** - Jun 12 2023

web nadia wells has spent her life trying to convince her parents that horses are a necessity but despite her best efforts they see them only as an extravagant luxury after landing her

[headed for the win nadia and winny book 1 page 6](#) - Nov 05 2022

web winny didn t flinch what do you mean you know perfectly well what i mean gretchen she stabbed her finger in the direction gretchen had left the hug it was just a

**nadia winny series by rachael eliker goodreads** - Jul 13 2023



**new era of management richard l daft google books** - Jun 24 2022

web author richard l daft summary in response to the dynamic environment of management richard daft has written a text integrating the newest management

**the new era of management richard daft author** - Nov 29 2022

web new era of management richard l daft south western 2009 industrial management 668 pages give your students the confidence to manage and the ability to lead with

**new era of management paperback 6 may 2011** - Apr 03 2023

web readers discover the confidence to manage and develop the ability to lead with innovative solutions in today s rapidly changing business environment with daft s marketing leading

**new era of management richard l daft** - Jul 06 2023

web summary in response to the dynamic environment of management richard daft has written a text integrating the newest management thinking with a solid foundation in the

**new era of management international edition richard daft** - Mar 22 2022

*new era of management richard l daft google books* - Oct 09 2023

web new era of management richard l daft 2008 industrial management 815 pages discover true innovation in management today within the pages and throughout the

**new era of management richard l daft** - Mar 02 2023

web jan 10 2019 0 have read in response to the dynamic environment of management richard daft has written a text integrating the newest management thinking with a solid

*new era of management semantic scholar* - Apr 22 2022

web jan 1 2005 book supplement 22 93 3 used from 18 93 the seventh edition of this market leading text continues to raise the standard through its cutting edge presentation

*new era of management daft richard l free download* - Sep 08 2023

web in response to the dynamic environment of management richard daft has written a text integrating the newest management thinking with a solid foundation in the essentials of

[new era of management daft richard l 1941 free](#) - Aug 27 2022

web readers discover the confidence to manage and develop the ability to lead with innovative solutions in today s rapidly changing business environment with daft s marketing leading

**the new era of management richard daft author** - Oct 29 2022

web daft explores the emerging themes and management issues most important for managers in businesses today future and current managers learn to look beyond traditional

**new era of management richard I daft google books** - Dec 31 2022

web richard daft seamlessly integrates the topic of this edition managing in turbulent times with traditional management concepts to show what influences and guides managerial

**new era of management worldcat org** - Jun 05 2023

web readers discover the confidence to manage and develop the ability to lead with innovative solutions in today s rapidly changing business environment with daft s marketing leading

*what is instrumentation purpose career salary skills* - Dec 19 2021

web apr 29 2023 an instrumentation engineer is a professional who designs installs calibrates and maintains devices that measure and control physical quantities such as flow temperature level pressure and chemical composition these devices known as instrumentation are used in a wide range of industries including manufacturing power

*xl bully type dogs to be banned gov uk* - Jul 14 2021

web oct 31 2023 timeline of actions from 31 december 2023 owners must keep xl bully dogs on a lead and muzzled when in public it will also be an offence to breed sell advertise exchange gift rehome

**control and instrumentation engineer study guide** - Feb 18 2022

web control and instrumentation engineer study guide helps you to get an outlook of industrial instrumentation including field instruments and control systems

*complete field instrumentation engineering course udemy* - Jul 26 2022

web instrumentation and control refer to the analysis measurement and control of industrial process variables using process control instruments and software tools such as temperature pressure flow and level sensors analyzers piping and instrumentation diagram p id why instrumentation engineering

uow professor receives international award for radiation instrumentation - Sep 15 2021

web november 9 2023 uow professor receives international award for radiation instrumentation distinguished professor anatoly rozenfeld received the prestigious glenn f knoll radiation instrumentation outstanding achievement award by the institute of electrical and electronics engineers ieee nuclear and plasma sciences society

*instrumentation and control i c design instrumentationtools* - Jan 20 2022

web instrumentation and control i c design consists of standards system philosophy power instrument air supply field instruments and spares selection

**onsite bioengineering instrumentation group internship** - Oct 17 2021

web sep 16 2022 students will have a chance to present their work at a poster symposium and or instrumentation workshop depending on the breadth of work covered by the students participation in writing a published research paper is a possibility signal conditioning and processing software control user interface design and design and

[instrumentation wikipedia](#) - Jun 05 2023

web instrumentation is a collective term for measuring instruments used for indicating measuring and recording physical quantities it is also a field of study about the art and science about making measurement instruments involving the related areas of metrology automation and control theory

**quora a place to share knowledge and better understand the world** - Nov 17 2021

web we would like to show you a description here but the site won t allow us

*industrial instrumentation and control an introduction to the* - Aug 07 2023

web nov 6 2019 in this article we will discuss the basic concepts and principles that govern the operation of industrial plants concepts associated with measurements of flow level temperature and pressure electronics and pneumatics instrumentation control loops pid control and others will be addressed

[what is instrumentation control system inst tools](#) - May 24 2022

web an instrumentation control system is an electrical electronic or programmable electronic system e e pes which may perform some or all of the following functions monitoring recording and logging of plant status and process parameters provision of operator information regarding the plant status and process parameters

[what is instrumentation control engineering integrated flow](#) - Jun 24 2022

web mar 5 2019 instrumentation and control refer to the analysis measurement and control of industrial process variables using process control instruments and software tools such as temperature pressure flow and level sensors analyzers electrical and mechanical actuators human machine interfaces hmi piping and instrumentation

[fundamentals of instrumentation and control piping and](#) - Mar 02 2023

web mar 1 2019 details online only access 18 00 details single chapter pdf download 42 00 details check out summary this chapter focuses on basic process control system bpcs alarm system and safety instrumented system sis

**2023 forks wastewater treatment facility improvements** - Aug 15 2021

web nov 6 2023 mobilization demolition construction of clarifier 2 and ancillary equipment ras and was pump stations with control panels valve and flow meter vaults piping and ancillary equipment electrical instrumentation plc control system and associated with these improvements advertisement for bids notice to contractors city

**control engineering magazine control engineering** - Sep 27 2022

web october 2023 control engineering connects the global industrial engineering audience through coverage of and

education about automation control and instrumentation technologies in a regionally focused actionable manner through online and print media and in person events

[instrumentation automation measurement control britannica](#) - May 04 2023

web instrumentation involves both measurement and control functions an early instrumental control system was the thermostatic furnace developed by the dutch inventor cornelius drebbel 1572 1634 in which a thermometer controlled the temperature of a furnace by a system of rods and levers

**instrumentation and control fundamentals and applications** - Apr 03 2023

web as part of the ongoing wiley series in mechanical engineering this edited volume serves as a complete reference and guide to the many facets of instrumentation and control engineering broad in coverage and scope it provides practicing engineers with the latest data and activities taking place in the field

[5 common instrumentation roles for control engineers linkedin](#) - Mar 22 2022

web sep 29 2023 an instrumentation and control engineer is responsible for designing installing commissioning and troubleshooting the instrumentation and control systems of a plant facility or process

**instrumentation and control springerlink** - Nov 29 2022

web jan 12 2022 instrument and control refers to the automatic control of the controlled variable it will measure the signal with a given value and then the deviation signal will be determined using control method the output signal will be adjusted by the deviation

[what is instrumentation and control electrical volt](#) - Apr 22 2022

web apr 2 2022 instrumentation control is the branch of engineering that deals with process measurement and its control the various industrial processes require a series of measurements controls to achieve the required final product

[instrumentation and control systems edition 3 elsevier](#) - Dec 31 2022

web instrumentation and control systems third edition addresses the basic principles of modern instrumentation and control systems including examples of the latest devices techniques and applications the book provides a comprehensive introduction on the subject with laplace presented in a simple and easily accessible form and

[instrumentation and control systems university of](#) - Jul 06 2023

web instrumentation and computer control systems sensors and signal conditioning steve collins michaelmas term 2012 introduction an instrumentation system obtains data about a physical system either for the purpose of collecting information about that physical system or for the feedback control of the physical system

**what is instrumentation and control inst tools** - Sep 08 2023

web an instrument is a device that measures or manipulates process physical variables such as flow temperature level or

pressure etc instruments include many varied contrivances which can be as simple as valves and transmitters and as complex as analyzers instruments often comprise control systems of varied processes

*introduction to control and instrumentation ced engineering* - Aug 27 2022

web instrumentation and control is the nervous system of industrial complexes power generation and basically all the processes that require some intelligence to accomplish the task of producing a product or process

*instrumentation and control systems 3rd edition elsevier* - Feb 01 2023

web jan 18 2021 instrumentation and control systems third edition addresses the basic principles of modern instrumentation and control systems including examples of the latest devices techniques and applications the book provides a comprehensive introduction on the subject with laplace presented in a simple and easily accessible form and

**instrumentation and control engineering wikipedia** - Oct 09 2023

web instrumentation and control engineering ice is a branch of engineering that studies the measurement and control of process variables and the design and implementation of systems that incorporate them process variables include pressure temperature humidity flow ph force and speed ice combines two branches of engineering

**what is instrumentation control explain in detail** - Oct 29 2022

web instrumentation is defined as measurement and control of process variables within a production or manufacturing area in other words instrumentation control is one that deals with automated measurements that controls the physical quantities like pressure level temperature flow etc