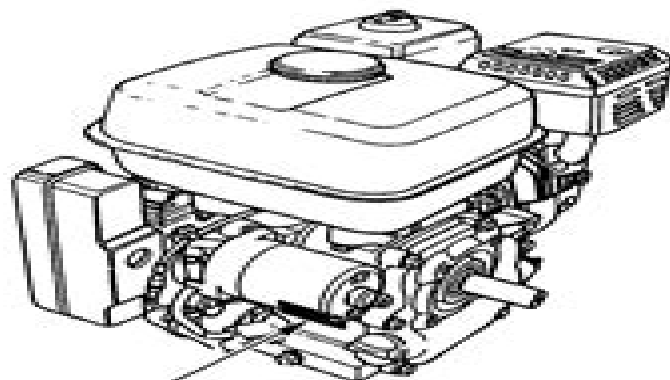


# HONDA

**GX120 · GX160 · GX200**



Serial number and  
engine type

## OWNER'S MANUAL

32ZH7620  
00X32-ZH7-6201

1

HONDA EUROPE N.V. (EEC)  
[www.honda-engines-eu.com](http://www.honda-engines-eu.com)



# **Gx160 Shop Owners Manual**

**Christian Drosten**



# Gx160 Shop Owners Manual

Owner's Manual GX120, GX160 Honda Motor Company Ltd, White: Shop Manual W-201 (I & T Shop Service Manuals, W-201) Penton Staff,2000-05-24 Gas models 2 70 Diesel models 2 30 2 35 2 45 2 55 2 62 2 65 2 70 2 75 2 85 2 105 2 135 2 150 2 155 Honda GX120, 160 ,1990 **1959 CADILLAC SHOP OWNERS MANUAL** MOTORBOOKS INTERNATIONAL, White: Shop Manual W-201 (I & T Shop Service Manuals, W-201) Penton Staff,2000-05-24 Gas models 2 70 Diesel models 2 30 2 35 2 45 2 55 2 62 2 65 2 70 2 75 2 85 2 105 2 135 2 150 2 155 **Honda GX110, 140, 160 ,1988** **Honda GX110, 140, 160** Motor Co. Ltd Honda, **Honda GX240, GX340** Motor Co. Ltd Honda, **1960 - 1961 GMC 1000-5000 Shop Manual** GM Corporation,2020-05-10 This 1960 1961 GMC 1000 5000 Shop Manual is a high quality licensed PRINT reproduction of the service manual authored by General Motors Corporation and published by Detroit Iron This OEM factory manual is 8 5 x 11 inches paperback bound shrink wrapped and contains 774 pages of comprehensive mechanical instructions with detailed diagrams photos and specifications for the mechanical components of your vehicle such as the engine transmission suspension brakes fuel exhaust steering electrical and drive line Service repair manuals were originally written by the automotive manufacturer to be used by their dealership mechanics The following 1960 1961 GMC models are covered 1000 Series 1500 Series 2500 Series 3000 3500 PV1000 Suburban Truck V3000 Forward Control PB1000 Series This factory written Detroit Iron shop manual is perfect for the restorer or anyone working on one of these vehicles **Honda GX240K1, GX270, GX340K1, GX390K1 ,19??** **Honda GX110/GX140 Bedienungsanleitung** ,1982 Honda GX240, GX340 ,1985 **Honda VT1100 Shadow** Max Haynes,2010-08-01 Haynes manuals are written specifically for the do it yourselfer yet are complete enough to be used by professional mechanics Since 1960 Haynes has produced manuals written from hands on experience based on a vehicle teardown with hundreds of photos and illustrations making Haynes the world leader in automotive repair information Shop Service Manual, Supplement No. 2 Checker Motors Corp. (Kalamazoo, Mich.),1975 Honda GVX270, GXV340, GXV390 ,1989 **1977-1978 GMC Motorhome Shop Manual Supplement to 1975 - 1976 GMC Motorhome Shop Manual** GM Corporation,2024-04-02 This 1977 1978 GMC Motorhome Shop Manual Supplement to 1975 1976 GMC Motorhome Shop Manual is a high quality licensed PRINT reproduction of the service manual authored by GM Corporation and published by Detroit Iron This OEM factory manual is 8 5 x 11 inches paperback bound shrink wrapped and contains 462 pages of comprehensive mechanical instructions with detailed diagrams photos and specifications for the mechanical components of your vehicle such as the engine transmission suspension brakes fuel exhaust steering electrical and drive line Service repair manuals were originally written by the automotive manufacturer to be used by their dealership mechanics The following 1977 1978 GMC Motorhome and Transmode models are covered ZEO 6081 ZEO 6581 ZEO 6582 ZEO 6083 ZEO 6583 ZEO 6584 NOTE This is a

SUPPLEMENT It covers only the servicing of NEW components that differ from what is described in the manual it supplements It is designed to be used with the parent manual referenced in the title You will need BOTH manuals for complete service information This factory written Detroit Iron shop manual is perfect for the restorer or anyone working on one of these vehicles **Owner Manual for 2014 GMC Sierra, Owner's Manual Factory Glovebox Book** Helming,2014-04-27 *White Shop Manual I & T Shop Service*,1978 **Case/international Shop Manual** ,19?? **Honda Outboard Shop Manual 2-130 HP A-Series Four-Stroke, 1976-2007** ,2014

**health services research methods leiyu shi google books** - Oct 23 2023

web nov 5 2007 health services research methods leiyu shi cengage learning nov 5 2007 medical 576 pages written with an emphasis on health services delivery and management health services

**health services research methods cengageasia com** - Aug 21 2023

web health services research methods 3rd edition leiyu shi isbn 13 9781133949671 copyright 2020 published 480 pages list price usd 173 95 isbn 9781133949671 solve the big problems in health services delivery with health services research methods 3rd edition

**health services research methods kindle edition by shi leiyu** - Oct 11 2022

web nov 5 2007 buy health services research methods read kindle store reviews amazon com health services research methods kindle edition by shi leiyu professional technical kindle ebooks amazon com skip to main content us hello select your address kindle store

health services research methods by leiyu shi open library - Mar 16 2023

web dec 17 2022 health services research methods by leiyu shi open library overview view 4 editions details reviews lists related books last edited by marc bot december 17 2022 history edit an edition of health services research methods 1997 health services research methods by leiyu shi 0 ratings 1 want to read 0

**health services research methods leiyu shi google books** - Sep 22 2023

web health services research methods leiyu shi cengage learning 2019 education 480 pages solve the big problems in health services delivery with health services research

*health services research methods shi leiyu 9781133949671* - Feb 15 2023

web about this edition solve the big problems in health services delivery with health services research methods 3rd edition this easy to follow text balances classic research methods with the newest approaches to improve service delivery and management in health care settings

health services research methods leiyu shi google books - Apr 17 2023

web nov 5 2007 leiyu shi cengage learning nov 5 2007 medical 576 pages written with an emphasis on health services delivery and management health services research methods balances classic and

*health services research methods edition 3 by leiyu shi* - Nov 12 2022

web mar 12 2019 9781133949671 pub date 03 12 2019 publisher cengage learning health services research methods edition 3 by leiyu shi hardcover buy new 173 95 buy used 105 51 overview solve the big problems in health services delivery with health services research methods 3rd edition

health services research methods leiyu shi google books - Jun 19 2023

web health services research is a rapidly expanding field of inquiry typically health services researchers conduct investigation within different fields health policy health systems

health services research methods by leiyu shi open library - Mar 04 2022

web mar 7 2023 subjects methods research methodology research design data collection public health health services research medical care statistics as topic statistics medical care research public health research research methodology medical statistics showing 4 featured editions

leiyu shi johns hopkins bloomberg school of public health - Jun 07 2022

web leiyu shi drph mba mpa conducts applied primary care research to promote integrated and efficient care delivery models that improve population health and equity

*health services research methods by leiyu shi goodreads* - Dec 13 2022

web sep 4 1996 health services research methods leiyu shi 3 80 15 ratings1 review written with an emphasis on health services delivery and management health services research methods balances classic and current models and methodology

**health services research methods by leiyu shi alibris** - May 06 2022

web health services research methods by leiyu shi write the first customer review filter results shipping eligible for free shipping expedited shipping available solve the big problems in health services delivery with health services research methods 3rd

**health services research methods by leiyu shi open library** - Jul 08 2022

web health services research methods by leiyu shi 1997 delmar publishers edition in english

**health services research methods shi leiyu free download** - Jan 14 2023

web includes bibliographical references and index scientific foundations of health services research conceptualizing health services research groundwork in health services research research review secondary analysis qualitative research experimental research survey research evaluation research design in health

**health services research methods 3rd edition vitalsource** - Sep 10 2022

web leiyu shi publisher cengage learning format fixed what s this print isbn 9781133949671 1133949673 etext isbn 9781305855786 1305855787 edition 3rd copyright 2020 49 49 usd 9781305855786r180 this item is also available as part of a subscription view details rent or buy etextbook 180 days 49 49 1 year 67 99

[health services research methods 3rd edition 9781133949671](#) - Jul 20 2023

web vietnam yemen zambia zimbabwe health services research methods 3rd edition gives readers the skills they need to measure structure process and outcome variables in health care delivery services and leverage that information to

**health services research methods amazon com** - May 18 2023

web mar 12 2019 only 17 left in stock order soon solve the big problems in health services delivery with health services research methods 3rd edition this easy to follow text balances classic research methods with the newest approaches to improve service delivery and management in health care settings

**health services research methods shi leiyu 9781428352292** - Aug 09 2022

web health services research methods shi leiyu 3 8 avg rating 15 ratings by goodreads hardcover isbn 10 1428352295 isbn 13 9781428352292 publisher cengage learning 2007 view all copies of this isbn edition synopsis about this title

**health services research methods leiyu shi 9781285549897** - Apr 05 2022

web jan 1 2008 health services research methods leiyu shi on amazon com free shipping on qualifying offers health services research methods

**ontario building code decks marathon ontario download only** - May 08 2022

web building a deck jul 12 2022 this book takes the reader through the entire process of building a deck from planning stages through construction to the custom details that make a deck more functional and attractive black decker deck codes standards mar 20 2023 bruce barker one of the country s leading authorities on building codes has

*ontario building code decks marathon ontario copy* - Oct 01 2021

web this online declaration ontario building code decks marathon ontario can be one of the options to accompany you taking into account having new time it will not waste your time bow to me the e book will no question spread you extra situation to read

*the ontario building code decking* - Jun 21 2023

web the ontario building code decking 9 26 9 1 decking 1 decking for wood shingled roofs may be continuous or spaced [decks city of ottawa](#) - Oct 13 2022

web if you require the services of a development information officer please call 613 580 2424 ext 23434 or email [doinquiry@ottawa.ca](mailto:doinquiry@ottawa.ca) include the subject address proposed use and other pertinent information relevant to the inquiry upon receipt of the inquiry a phone call or an email response will be provided within 2 to 3 business days in

*residential deck construction guide collingwood ontario* - Apr 19 2023

web town of collingwood building services division telephone 705 445 1030 ext 3243 email building collingwood ca march 2023 general requirements building permit is required for a deck with a walking surface more than 24 above grade at any point

*ontario building code decks marathon ontario pdf uniport edu* - Mar 06 2022

web jul 1 2023 ontario building code decks marathon ontario 1 4 downloaded from uniport edu ng on july 1 2023 by guest ontario building code decks marathon ontario this is likewise one of the factors by obtaining the soft documents of this ontario building code decks marathon ontario by online you might not require more time to spend to

**building services permits halton hills** - Sep 12 2022

web require a building permit construction of accessory buildings sheds etc exceeding 10 square metres 107 sq ft construction of attached and detached garages construction for decks in excess of 60 96 cm 24 above the ground or greater than 10 square metres 107 sq ft or attached to the building

**ontario building code decks marathon ontario pdf usa fre01** - Dec 03 2021

web ontario building code decks marathon ontario downloaded from usa fre01 fibertest redmangoanalytics com by guest bray rivera california residential code penguin the building code sets out technical requirements for the construction including renovation and demolition of buildings the change of use of existing buildings where

building permits town of marathon - Jul 22 2023

web you must file a building permit application with the town of marathon the chief building official cbo reviews permit plans to ensure that they meet the ontario building code building by law and other related by laws and laws and regulations for fire safety systems

where does the ontario building code set out the allowable - Aug 11 2022

web the code appears to have been broadly drafted before the advent of deck blocks and other surface resting footings if we look at the number of above ground pool decks built across the country the majority will be supported

**building permit regulations city of toronto** - Jun 09 2022

web building permit regulations your application will be reviewed for compliance with the ontario building code the zoning by law and applicable law the building code act 1992 is the legislative framework governing the construction renovation and change of use of a building in the province of ontario ontario building code is a regulation

*ontario building code decks marathon ontario download only* - Nov 02 2021

web is extremely simple then back currently we extend the link to buy and make bargains to download and install ontario building code decks marathon ontario for that reason simple the unified soil classification system waterways experiment

station u s 1953 international marine engineering 1913 contract record 1975 annual report ontario  
[ontario s building code ontario.ca](#) - May 20 2023

web may 21 2019 learn more about ontario s building code so you can meet our building regulations

**ontario building code and bc building code decks go.com** - Nov 14 2022

web but finalize your building decisions based on the local building code in your community you would be surprised at some of the modifications that exist usually for very good reasons the ontario building code specifies deck guard rail height and horizontal load minimums which builders must meet on newly constructed homes find out more

*diy guide how to build a deck decks toronto* - Jan 16 2023

web you now have a professionally finished deck built according to the ontario building code a professional will build a deck using this guide in 4 5 days a beginner may need 7 days to fully assemble a deck with handrails and steps common mistakes when building a deck the homeowner left out the lighting and left no room for wires and lamps

**building a deck information guide for ontario** - Aug 23 2023

web when is a building permit required for a deck in ontario if the deck new or replacement is 24 high or greater above finished grade permit is also required if structural renovations will be made to an existing deck drawing requirements for a building permit application a copy of the property survey or site plan of your lot a

*deck railing code in ontario canada requirements deckers deck* - Jul 10 2022

web apr 2 2021 decker s deck complies with the ontario residential deck railing code at all times the height code and other requirements for deck railing in ontario canada are based on previous building experience and the region s climate

**deck railing height requirements and codes for ontario 2023** - Mar 18 2023

web what is the building code for decks in ontario the building code states that a platform 24 inches or higher is required to be protected by a guard railing that has a minimum height of 36 inches if the deck is 5 ft 11 inches above the ground then the minimum guard railing height increases to 42 inches

**ontario building code decks marathon ontario** - Apr 07 2022

web ontario building code decks marathon ontario is universally compatible when any devices to read the unified soil classification system waterways experiment station u s 1953 sessional papers legislature of the province of ontario ontario legislative assembly 1958 project management harold kerzner 2013 01 22

*standard residential deck plan information oro medonte* - Dec 15 2022

web meet the ontario building code allowing for a smoother permit application and inspection process decks that don t require a building permit or zoning certificate include a decks less than 23 5 8 600mm in height from walking surface to grade when measured in accordance with the ontario building code requirements



*guide to deck structures amherstburg* - Feb 17 2023

web building department 3295 meloche road amherstburg ontario n9v 2y9 phone 519 736 5408 email building amherstburg ca amherstburg ca en town hall building applications permits.aspx guide to deck structures version 2023 the information contained in this document is for references only

ontario building code decks marathon ontario download only - Jan 04 2022

web you may not be perplexed to enjoy every book collections ontario building code decks marathon ontario that we will entirely offer it is not with reference to the costs its practically what you compulsion currently this ontario building code decks marathon ontario as one of the most practicing sellers here will no question be in the middle

**ontario building code decks marathon ontario 2022** - Feb 05 2022

web marathon ontario is additionally useful you have remained in right site to begin getting this info get the ontario building code decks marathon ontario colleague

nick bland scholastic canada - Oct 28 2022

web book activities elementary teacher primary school teddy bear day teddy bear theme twinkle by nick bland softcover brand new ebay the very cranky bear

**47 author study nick bland ideas author studies bland the** - Jul 25 2022

web feb 1 2012 booktopia has twinkle twinkle by nicholas bland buy a discounted paperback of twinkle online from australia s leading online bookstore

24 top nick bland teaching resources curated for you twinkl - Oct 08 2023

web 220 top nick bland teaching resources curated for you instant access to inspirational lesson plans schemes of work assessment interactive activities resource packs

24 top twinkle nick bland teaching resources curated for you - Nov 28 2022

web may 29 2017 penny pasketti stared into space and pretended the stars were her friends she imagined that every twinkle was a smile or a secret or some such wonderful thing

**twinkle by nick bland scholastic australia kids domain** - Mar 01 2023

web instant access to inspirational lesson plans schemes of work assessment interactive activities resource packs powerpoints teaching ideas at twinkl

**twinkle by nick bland talara primary college** - Aug 06 2023

web twinkle by nick bland one of the best ways to encourage a love for reading is to read to your child reading gives you the opportunity for close bonding with your child to

**twinkle by nick bland goodreads** - May 03 2023

web 32 pages ages 3 to 8 penny pasketti is determined to help her new friend little star make it back home to the sky penny pasketti stared into space and pretended the stars were

*53 nick bland classroom activities ideas pinterest* - Jan 31 2023

web nick bland was born on a farm in the australian yarra valley in 1973 the son of an artist and a primary school teacher he spent his early childhood climbing haystacks and

*twinkle twinkle by nicholas bland 9781741696431 booktopia* - Apr 21 2022

web suggested by becky e twinkl the very cranky bear written by nick bland is about four friends who encounter a very crank bear and try to cheer him up this heart warming

**20 top the very itchy bear by nick bland activities teaching** - Sep 26 2022

web details penny is a lonely little girl who gazes out her window at night and pretends that the stars are her friends then one night a shooting star lands in her garden together they

*twinkle nick bland 9781741696431 five senses education* - Jun 23 2022

web may 29 2017 nick bland s luminous artwork brings this charming story to life with an ending that all is right in the world it s a perfect bedtime story to get little ones and stars

*worksheets for twinkle by nick bland literacy* - Jul 05 2023

web suggested by becky e twinkl the very hungry bear by nick bland is a great eyfs or ks1 book for your bear topic this beautiful rhyming story details the meeting of a brown

*22 top nick bland teaching resources curated for you twinkl* - Sep 07 2023

web 22 top nick bland teaching resources curated for you bear caves counting game 5 0 7 reviews cave small world background 5 0 1 review whale puzzles to support

**twinkle bland nick bland nick 9781443100984 amazon com** - Aug 26 2022

web apr 12 2023 read aloud children s picture book twinkle written by nick bland read aloud children s picture book *twinklenickblandactivities* - Dec 18 2021

**the very cranky bear written by nick bland is a heart warming** - Jan 19 2022

*the very hungry bear by nick bland is a great eyfs or ks1* - Jun 04 2023

web jul 1 2010 little star lands in penny pasketti s backyard and in a twinkle the night is filled with fun eventually though it is time for little star to go home but how do you make a

*twinkle by nick bland 9781741696431 qbd* - Feb 17 2022

[twinkle scholastic canada](#) - Apr 02 2023

web aug 15 2023 twinkle by nick bland the combined story illustrations and layout encourage the reader to explore predict and use their imagination

**twinkle bland nick bland nick amazon ca books** - Mar 21 2022

web rhyming text that made nick bland s first two bear books instant favourites told with his characteristic humour and wit the very hungry bear is both an endearing tale of

**twinkle nick bland daily read aloud youtube** - May 23 2022

web 19 99 7 99 60 off add to cart penny is a lonely little girl who gazes out her window at night and pretends that the stars are her friends then one night a shooting star lands in

**nick bland books and activities pinterest** - Dec 30 2022

web explore more than 20 the very itchy bear by nick bland activities resources for teachers parents and pupils as well as related resources on the very itchy bear

Fuel your quest for knowledge with Authored by is thought-provoking masterpiece, Explore **Gx160 Shop Owners Manual** . This educational ebook, conveniently sized in PDF ( \*), is a gateway to personal growth and intellectual stimulation. Immerse yourself in the enriching content curated to cater to every eager mind. Download now and embark on a learning journey that promises to expand your horizons. .

[https://offsite.creighton.edu/files/virtual-library/Documents/hindu\\_code\\_of\\_manu.pdf](https://offsite.creighton.edu/files/virtual-library/Documents/hindu_code_of_manu.pdf)

[https://offsite.creighton.edu/files/virtual-library/Documents/haunting\\_adeline\\_netflix.pdf](https://offsite.creighton.edu/files/virtual-library/Documents/haunting_adeline_netflix.pdf)

[https://offsite.creighton.edu/files/virtual-library/Documents/hereje\\_que\\_significa.pdf](https://offsite.creighton.edu/files/virtual-library/Documents/hereje_que_significa.pdf)

## **Table of Contents Gx160 Shop Owners Manual**

1. Understanding the eBook Gx160 Shop Owners Manual
  - The Rise of Digital Reading Gx160 Shop Owners Manual
  - Advantages of eBooks Over Traditional Books
2. Identifying Gx160 Shop Owners Manual
  - Exploring Different Genres
  - Considering Fiction vs. Non-Fiction
  - Determining Your Reading Goals
3. Choosing the Right eBook Platform
  - Popular eBook Platforms
  - Features to Look for in an Gx160 Shop Owners Manual
  - User-Friendly Interface
4. Exploring eBook Recommendations from Gx160 Shop Owners Manual
  - Personalized Recommendations

- Gx160 Shop Owners Manual User Reviews and Ratings
- Gx160 Shop Owners Manual and Bestseller Lists
- 5. Accessing Gx160 Shop Owners Manual Free and Paid eBooks
  - Gx160 Shop Owners Manual Public Domain eBooks
  - Gx160 Shop Owners Manual eBook Subscription Services
  - Gx160 Shop Owners Manual Budget-Friendly Options
- 6. Navigating Gx160 Shop Owners Manual eBook Formats
  - ePub, PDF, MOBI, and More
  - Gx160 Shop Owners Manual Compatibility with Devices
  - Gx160 Shop Owners Manual Enhanced eBook Features
- 7. Enhancing Your Reading Experience
  - Adjustable Fonts and Text Sizes of Gx160 Shop Owners Manual
  - Highlighting and Note-Taking Gx160 Shop Owners Manual
  - Interactive Elements Gx160 Shop Owners Manual
- 8. Staying Engaged with Gx160 Shop Owners Manual
  - Joining Online Reading Communities
  - Participating in Virtual Book Clubs
  - Following Authors and Publishers Gx160 Shop Owners Manual
- 9. Balancing eBooks and Physical Books Gx160 Shop Owners Manual
  - Benefits of a Digital Library
  - Creating a Diverse Reading Collection Gx160 Shop Owners Manual
- 10. Overcoming Reading Challenges
  - Dealing with Digital Eye Strain
  - Minimizing Distractions
  - Managing Screen Time
- 11. Cultivating a Reading Routine Gx160 Shop Owners Manual
  - Setting Reading Goals Gx160 Shop Owners Manual
  - Carving Out Dedicated Reading Time
- 12. Sourcing Reliable Information of Gx160 Shop Owners Manual
  - Fact-Checking eBook Content of Gx160 Shop Owners Manual

- Distinguishing Credible Sources
13. Promoting Lifelong Learning
- Utilizing eBooks for Skill Development
  - Exploring Educational eBooks
14. Embracing eBook Trends
- Integration of Multimedia Elements
  - Interactive and Gamified eBooks

### **Gx160 Shop Owners Manual Introduction**

In the digital age, access to information has become easier than ever before. The ability to download Gx160 Shop Owners Manual has revolutionized the way we consume written content. Whether you are a student looking for course material, an avid reader searching for your next favorite book, or a professional seeking research papers, the option to download Gx160 Shop Owners Manual has opened up a world of possibilities. Downloading Gx160 Shop Owners Manual provides numerous advantages over physical copies of books and documents. Firstly, it is incredibly convenient. Gone are the days of carrying around heavy textbooks or bulky folders filled with papers. With the click of a button, you can gain immediate access to valuable resources on any device. This convenience allows for efficient studying, researching, and reading on the go. Moreover, the cost-effective nature of downloading Gx160 Shop Owners Manual has democratized knowledge. Traditional books and academic journals can be expensive, making it difficult for individuals with limited financial resources to access information. By offering free PDF downloads, publishers and authors are enabling a wider audience to benefit from their work. This inclusivity promotes equal opportunities for learning and personal growth. There are numerous websites and platforms where individuals can download Gx160 Shop Owners Manual. These websites range from academic databases offering research papers and journals to online libraries with an expansive collection of books from various genres. Many authors and publishers also upload their work to specific websites, granting readers access to their content without any charge. These platforms not only provide access to existing literature but also serve as an excellent platform for undiscovered authors to share their work with the world. However, it is essential to be cautious while downloading Gx160 Shop Owners Manual. Some websites may offer pirated or illegally obtained copies of copyrighted material. Engaging in such activities not only violates copyright laws but also undermines the efforts of authors, publishers, and researchers. To ensure ethical downloading, it is advisable to utilize reputable websites that prioritize the legal distribution of content. When downloading Gx160 Shop Owners Manual, users should also consider the potential security risks associated with online platforms. Malicious actors may exploit vulnerabilities in unprotected websites to distribute malware or steal personal

information. To protect themselves, individuals should ensure their devices have reliable antivirus software installed and validate the legitimacy of the websites they are downloading from. In conclusion, the ability to download Gx160 Shop Owners Manual has transformed the way we access information. With the convenience, cost-effectiveness, and accessibility it offers, free PDF downloads have become a popular choice for students, researchers, and book lovers worldwide. However, it is crucial to engage in ethical downloading practices and prioritize personal security when utilizing online platforms. By doing so, individuals can make the most of the vast array of free PDF resources available and embark on a journey of continuous learning and intellectual growth.

### **FAQs About Gx160 Shop Owners Manual Books**

How do I know which eBook platform is the best for me? Finding the best eBook platform depends on your reading preferences and device compatibility. Research different platforms, read user reviews, and explore their features before making a choice. Are free eBooks of good quality? Yes, many reputable platforms offer high-quality free eBooks, including classics and public domain works. However, make sure to verify the source to ensure the eBook credibility. Can I read eBooks without an eReader? Absolutely! Most eBook platforms offer web-based readers or mobile apps that allow you to read eBooks on your computer, tablet, or smartphone. How do I avoid digital eye strain while reading eBooks? To prevent digital eye strain, take regular breaks, adjust the font size and background color, and ensure proper lighting while reading eBooks. What the advantage of interactive eBooks? Interactive eBooks incorporate multimedia elements, quizzes, and activities, enhancing the reader engagement and providing a more immersive learning experience. Gx160 Shop Owners Manual is one of the best book in our library for free trial. We provide copy of Gx160 Shop Owners Manual in digital format, so the resources that you find are reliable. There are also many Ebooks of related with Gx160 Shop Owners Manual. Where to download Gx160 Shop Owners Manual online for free? Are you looking for Gx160 Shop Owners Manual PDF? This is definitely going to save you time and cash in something you should think about.

### **Find Gx160 Shop Owners Manual :**

*hindu code of manu*

haunting adeline netflix

**hereje que significa**

**henry ford quote whether you think**

**hcg diet meal plans**

**hawaiian word for guardian**

*hijama points for asthma*

heggerty phonemic awareness program

~~harry potter genetics answer key~~

~~healing from a narcissistic marriage~~

hawaiian mythological creatures

his need her needs pdf

hollow city movie

healing the prostate

harry potter theme songs

**Gx160 Shop Owners Manual :**