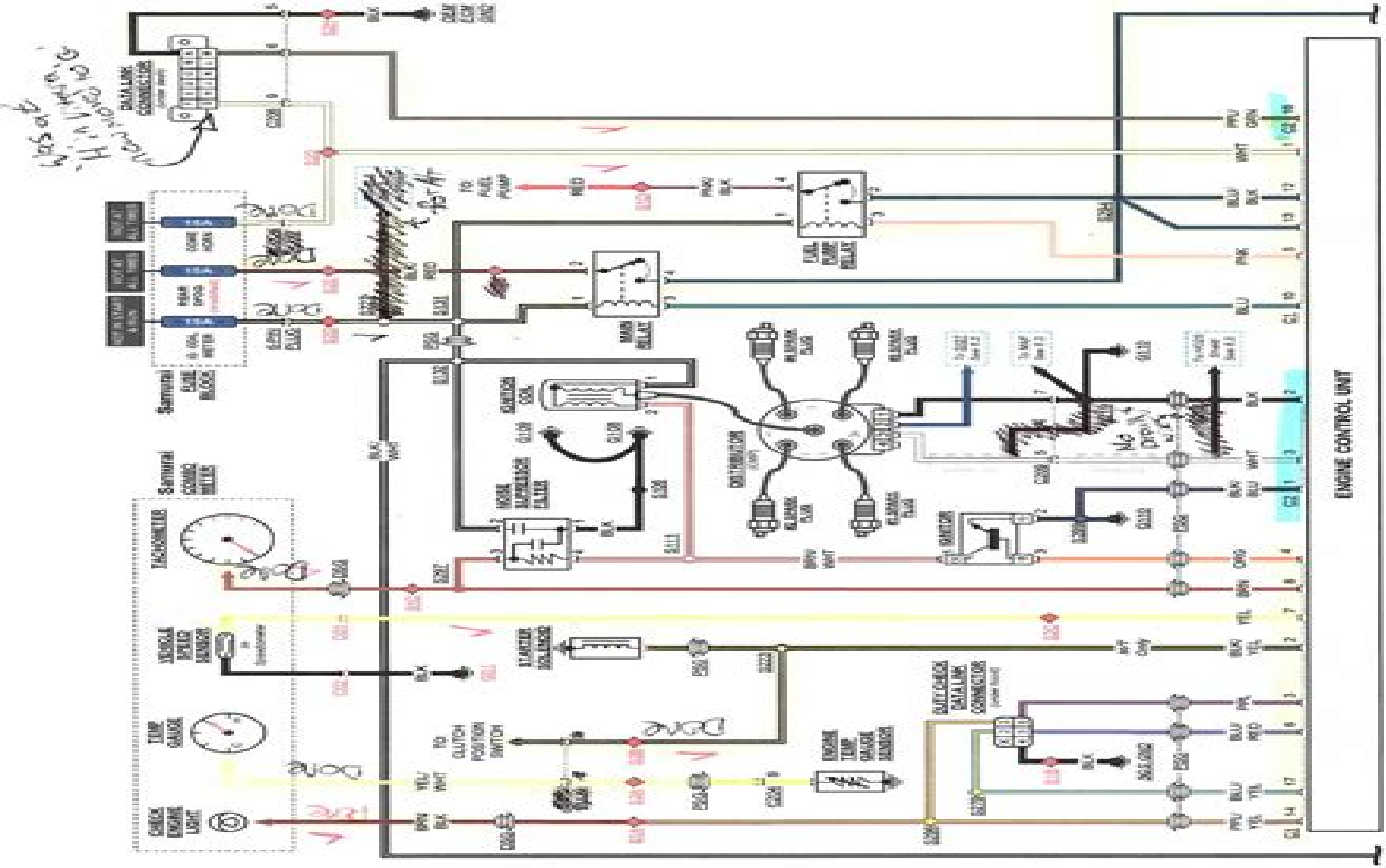


8.2. ECM / ENGINE WIRING: Manual Transmission



Suzuki Vitara Wiring Diagram Engine Control

James Danko



Suzuki Vitara Wiring Diagram Engine Control

Suzuki SN413 Jimney Wiring Diagram Manual Suzuki Jidōsha Kōgyō Kabushiki Kaisha,1998 *Boyce's Engine Control Unit Wiring Diagram Manual* ,1998 **Suzuki Carry Da63t Electrical Service Manual & Diagrams** James Danko,2011 1978 Suzuki Wiring Diagrams United States Suzuki Motor Corporation,1977 **Suzuki Every Van Electrical Service Manual Db52v Da52v** James Danko,2017-04-11 SUZUKI EVERY VAN Electrical Service Manual for 4WD DB52V 2WD DA52V Series Vans Complete English Factory Electrical Service Manual Covers the entire vehicle including EFI Turbocharged Engines Chassis lighting and all other individual components This complete manual also covers Air conditioning electrical power steering ABS and AIRBAG systems Easy to follow diagrams includes all individual circuits with easy to follow diagrams Whether you are a Pro or Home Mechanic this easy to follow manual is a must for troubleshooting electrical problems Suzuki Samurai/Sidekick/X-90 & Geo & Chevrolet Tracker John Haynes,2001-12-14 With a Haynes manual you can do it yourself from simple maintenance to basic repairs Haynes writes every book based on a complete teardown of the vehicle We learn the best ways to do a job and that makes it quicker easier and cheaper for you Our books have clear instructions and plenty of photographs that show each step Whether you re a beginner or a pro you can save big with Haynes Step by step procedures Easy to follow photos Complete troubleshooting section Valuable short cuts Color spark plug diagnosis Complete coverage for your Suzuki Samurai Sidekick X 90 Vitara and Geo Chevrolet Tracker from 1986 thru 2001 excludes V6 models or Suzuki Sport with 1 8L engine Routine Maintenance Tune up procedures Engine repair Cooling and heating Air Conditioning Fuel and exhaust Emissions control Ignition Brakes Suspension and steering Electrical systems Wiring diagrams *Suzuki Vitara Supplementary Service Manual for Automatic Transaxle* Suzuki Jidōsha Kōgyō Kabushiki Kaisha,Suzuki Motor Co,1989 **Motor Information Systems Engine Control Module, Wiring Diagrams & Pin Identification: Mitsubishi through Toyota** Motor Information Systems (Firm),2004 This edition covers 1994 2003 Asian passenger cars light trucks vans Title page verso **Motor Information Systems Engine Control Module, Wiring Diagrams & Pin Identification** Motor Information Systems (Firm),2003 **Wiring Diagrams** General Electric Company,1965 **Motor Information Systems Engine Control Module, Wiring Diagrams & Pin Identification: Acura through Mazda** Motor Information Systems (Firm),2004 This edition covers 1994 2003 Asian passenger cars light trucks vans Title page verso LS Gen III Engine Wiring Systems: 1997-2007 Mike Noonan,2022-03-23 Automotive enthusiasts who have followed hot rodding trends over the last decade know that GM s LS series engine is the most popular swap on the market Similar to the first generation small block Chevy engines that were swapped into Model A Fords back in the day these swaps are arguably just as popular While kits and the aftermarket help with the logistics and the placement of hardware such as motor mounts oil pans and headers the area that still remains a mystery to most is how to

wire and electronically control your swapped LS project In LS Gen III Engine Wiring Systems expert Mike Noonan helps demystify the entire complicated process Extensively covered are terms and tools of the trade advice on quality connections detailed coverage of all the engine control modules offered drive by wire systems harness connectors and cruise control systems Also covered in depth are air conditioning systems cooling system fan operation transmission interfaces and connectivity and control module programming tuning for standalone operation Featuring wiring diagrams and computer aided design CAD and computer aided manufacturing CAM artwork as well as an appendix with real world projects and examples this guide covers all the bases Whether you are performing a simple swap that utilizes only the basics a more complex project with all the bells and whistles or simply want a working knowledge of how these systems work this guide will be a valuable resource for years to come

Wiring Diagrams ,1967 **Suzuki Carry Truck Electrical Service Manual Db52t Da52t** James Danko,2017-05-03 SUZUKI CARRY TRUCK Electrical Service Manual for 4WD DB52T 2WD DA52T Series Trucks Complete English Factory Electrical Service Manual Covers the entire vehicle including EPI Fuel Injection models Turbocharged models and early model Carbureted versions This complete manual also covers all options including Air conditioning Electrical Power Steering DUMP and AIRBAG systems Easy to follow diagrams includes all individual circuits with easy to follow diagrams Whether you are a Pro or Home Mechanic this easy to follow manual is a must for troubleshooting electrical problems

Motor Information Systems Engine Control Module, Wiring Diagrams & Pin Identification Motor Information Systems (Firm),2004 This edition covers 1994 2003 European passenger cars light trucks vans Title page verso Boyce's Wiring Diagram Manual: Selected models from the following manufactures, Chrysler, Daewoo, Ford, Holden, Honda, Hyundai, Jeep, Mitsubishi, Subaru, Suzuki, Toyota ,2001 **Standard Motor Control Line and Wiring Diagrams** Cutler-Hammer, inc,1970* Standard Motor Control Eaton Corporation,198? Chilton's Chassis Electronics Service Manual Chilton Automotive Editorial Staff,1992 **ASE Test Preparation - C1 Service Consultant** Delmar Publishers,2011-10 The fifth edition of Delmar s Automotive Service Excellence ASE Test Preparation Manual for the C1 SERVICE CONSULTANT certification exam contains an abundance of content designed to help you successfully pass your ASE exam This manual will ensure that you not only understand the task list and therefore the content your actual certification exam will be based upon but also provides descriptions of the various types of questions on a typical ASE exam as well as presents valuable test taking strategies enabling you to be fully prepared and confident on test day

true philippine ghost stories marking comeback accepting - Mar 11 2023

web may 17 2023 manila philippines the popular filipino horror book series true philippine ghost stories is making a comeback as its publishing company is calling for new entries of scary tales

where to read true philippine ghost stories on the psicom - Sep 05 2022

web oct 22 2020 you can download the app create the account and get to reading issues of the true philippine ghost stories are under the psicom free ebooks i page the compilation of ghost stories from all around the philippines was first

true philippine ghost stories book 1 goodreads - Jun 02 2022

web jan 1 2002 these stories feature the usual philippine paranormal tropes white ladies dwarves dead soldiers from the various colonial powers and lack the atmosphere and rigorous editing that would make them actually spooky

you can still read true philippine ghost stories on psicom - Dec 08 2022

web oct 29 2022 those books interestingly had stories written by award winning ghost writers one of them is a member of the pen ehem and now we can read all of them online for free simply go to psicom s app and register go to the free e books category and there you ll find the true philippine ghost stories collection thank us later

true philippine ghost stories series by gianna maniego goodreads - Jun 14 2023

web true philippine ghost stories series 32 primary works 32 total works true philippine ghost stories book 1 by gianna maniego 4 13 253 ratings 20 reviews published 2002 2 editions want to read rate it true philippine ghost

true philippine ghost stories by gianna maniego open library - Nov 07 2022

web jun 15 2023 book 5 has subtitle on cover special edition reader submitted stories edited by reginald ting book 17 reader submitted stories edited by sarah jean grutas other titles philippine ghost stories ghost stories

psa you can now read true philippine ghost stories online - Jul 15 2023

web oct 27 2020 here s how you can access the 10 editions of true philippine ghost stories download the psicom app via apple store or google play store and create an account after you sign up you ll have access to all 10 editions of the books as well as other published stories under psicom

true philippine ghost stories 2 archive org - Aug 16 2023

web nov 1 2021 book 2 of the true philippine ghost stories series written by gianna maniego and her team of ghost writers and published by psicom publishing inc isbn 9718995900 addeddate 2021 11 01 14 13 02 identifier true philippine ghost

stories 2 identifier ark ark 13960 t5cd3s66z ocr tesseract 5 0 0 rc1 12 g88b4 ocr detected lang

[spine chilling ghost stories from the philippines expat com ph](#) - Mar 31 2022

web we have compiled 4 philippine ghost stories for your reading pleasure true or not do not continue if you feel uncomfortable these legendary tales will give you goosebumps and strike a few of your dormant nerves not for the faint hearted

got a ghost encounter the true philippine ghost stories series - Jul 03 2022

web true philippine ghost stories the cult horror book series that had filipino classrooms in a chokehold in the 2000s is making a comeback along with it is an opportunity for you to read and relive your own horror story in its exciting pages

[true philippines ghost stories facebook](#) - Dec 28 2021

web true philippines ghost stories 9 973 likes 1 talking about this if you want to share any scary things that happened around you or even not in philippines please sha

ghost stories from philippines page 1 - Jan 29 2022

web we are interested in true stories from readers like you if you had a real experience related to ghosts spirits and haunted places especially if you are a paranormal investigator psychic or medium yourself please submit it

true philippine ghost stories 1 various authors google books - May 01 2022

web true philippine ghost stories 1 various authors psicom publishing inc young adult nonfiction 106 pages true philippine ghost stories issue 1 published by psicom publishing inc preview this book

true philippine ghost stories podcast podcast on spotify - Feb 10 2023

web welcome to the true philippine ghost stories podcast where we explore the eerie and supernatural tales that have been passed down for generations in the philippines each episode we ll delve into the hair raising experiences of real people who have encountered ghosts spirits and other unexplained phenomena in various parts of the country

true philippine ghost stories podcast redcircle - Apr 12 2023

web welcome to the true philippine ghost stories podcast where we explore the eerie and supernatural tales that have been passed down for generations in the philippines each episode we ll delve into the hair raising experiences of real people who have encountered ghosts spirits and other unexplained phenomena in various parts of the country

[here s how you can read true philippine ghost stories online](#) - Oct 06 2022

web originally published by psicom in 2002 the first 10 volumes of the cult classic horror series true philippine ghost stories can be accessed through its app students of the 2000s can finally relieve the times they ve scared themselves shitless passing around copies of the books until teachers had to confiscate them only to settle for gooseb

[remembering the thrill of reading true philippine ghost stories](#) - May 13 2023

web jul 15 2021 that story is 27 year old luigi rosario s favorite from a popular book series called true philippine ghost stories which he read while growing up in the philippines in the early 2000s now an

9 scary filipino ghosts that will give you the creeps - Aug 04 2022

web jun 17 2022 the most famous horror story book that a filipino child can remember is the true philippine ghost stories these books contain lots of horror stories that you can read anytime today horror stories continue to scare people

true philippine ghost stories podcast on apple podcasts - Jan 09 2023

web feb 26 2023 welcome to the true philippine ghost stories podcast where we explore the eerie and supernatural tales that have been passed down for generations in the philippines each episode we ll delve into the hair raising experiences of

real people who have encountered ghosts spirits and other unexplain

true philippine ghost stories tagalog horror stories - Feb 27 2022

web dec 4 2022 true philippine ghost stories tagalog horror stories compilation a v editor narrator bob darkhubmaraming

salamat po sa pakikinig non stop tagalog horror

basis bibliothek philosophie 100 klassische werke download - Mar 14 2022

web 2 basis bibliothek philosophie 100 klassische werke 2022 01 03 creative symbolizing activities and constructions through

which man has expressed himself and given intelligible objective form to this experience these three volumes alone apart

from cassirer s other papers and books make an outstanding contribution to epistemology and to the

basis bibliothek philosophie 100 klassische werke zimmer - Sep 19 2022

web basis bibliothek philosophie 100 klassische werke u kunt hier alle boeken van zimmer robert opzoeken bij euro boek nl

kunt u antiquarische und nieuwe boeken vergelijken en direct voor de voordeligste prijs bestellen welches sind die

wichtigsten werke der philosophie und wie kann man sich ihnen

philosophische bibliothek wikipedia - Feb 22 2023

web geschichte die philosophische bibliothek wurde 1868 von dem juristen und politiker julius hermann von kirchmann 1802

1884 mit dem ziel gegründet wissenschaftlich erarbeitete ausgaben klassischer texte zur verfügung zu stellen sie sollte

allmählich die hauptwerke der philosophie alter und neuer zeit in billigen ausgaben bringen und zwar

basis bibliothek philosophie 100 klassische werke robert - Nov 21 2022

web entdecken sie basis bibliothek philosophie 100 klassische werke robert zimmer taschenbuch 2019 in der großen auswahl

bei ebay kostenlose lieferung für viele artikel

basis bibliothek philosophie 100 klassische werke buch ebay - Jan 24 2023

web entdecken sie basis bibliothek philosophie 100 klassische werke buch zustand sehr gut in der großen auswahl bei ebay

kostenlose lieferung für viele artikel

basis bibliothek philosophie 100 klassische werke - Oct 01 2023

web basis bibliothek philosophie 100 klassische werke by zimmer robert 1953 verfasser

basis bibliothek philosophie 100 klassische werke - Jun 16 2022

web jul 17 2019 amazon**basis bibliothek philosophie 100 klassische werke** amazon zimmer

robert

basis bibliothek philosophie eur 12 80 picclick de - Jul 18 2022

web basis bibliothek philosophie 100 klassische werke buch zustand sehr gut

basis bibliothek philosophie 100 klassische werke robert - May 16 2022

web dieser band bietet einstiegshilfen in form von 100 artikeln jeder artikel zeichnet argumentation und inhalt eines werks von den vorsokratikern bis zu jürgen habermas

zentralbibliothek philosophie geschichte und klassische - Dec 23 2022

web zentralbibliothek philosophie geschichte und klassische philologie Überseering 35 flachbau 2 og 22297 hamburg tel 49 40 42838 2586 aufsicht ausleihe fax 49 40 42838 3983 e mail bibliothek philgesch at uni hamburg de

100 werke der philosophie die jeder haben muss amazon de - Jun 28 2023

web die cd rom 100 werke der philosophie präsentiert auf über 45 000 bildschirmseiten die wichtigsten werke einflussreicher strömungen der abendländischen philosophie sorgfältig ausgewählt ungekürzt und unverändert verfolgen sie von der antike bis zur moderne gedanken über gott und die welt 100 werke der philosophie ist wissen

basis bibliothek philosophie 100 klassische werke - Jul 30 2023

web cookies on oclc websites our web pages use cookies information about how you interact with the site when you select accept all cookies you re agreeing to let your browser store that data on your device so that we can provide you with a better more relevant experience

basis bibliothek philosophie 100 klassische werke reclams - Apr 14 2022

web jul 7 2019 basis bibliothek philosophie 100 klassische werke reclams universal bibliothek zimmer robert amazon de books

basis bibliothek philosophie robert zimmer 100 klassische werke - May 28 2023

web basis bibliothek philosophie robert zimmer 100 klassische werke buch eur 12 80 zu verkaufen basis bibliothek philosophie 100 klassische werketaschenbuch von robert zimmer details autor robert 335029947305

basis bibliothek philosophie hundert klassische werke reclam - Apr 26 2023

web basis bibliothek philosophie hundert klassische werke reclam taschenbuch zimmer robert isbn 9783150201374 kostenloser versand für alle bücher mit versand und verkauf duch amazon

basis bibliothek philosophie 100 klassische werke goodreads - Aug 19 2022

web first published january 1 2009 book details editions

pdf epub basis bibliothek philosophie 100 klassische werke - Aug 31 2023

web oct 2 2023 welches sind die wichtigsten werke der philosophie und wie kann man sich ihnen nähern dieser band bietet einstiegshilfen in form von 100 artikeln jeder artikel zeichnet argumentation und inhalt eines werks von den vorsokratikern bis zu jürgen habermas nach und gibt hinweise zur jeweiligen rezeptionsgeschichte

zimmer robert basis bibliothek philosophie reclam verlag - Mar 26 2023

web zimmer robert basis bibliothek philosophie 100 klassische werke klappenbroschur 324 s isbn 978 3 15 019632 8 in den

warenkorb oder als klassensatz bestellen 12 80 inkl mwst ggf zzgl versandkosten

basis bibliothek philosophie 100 klassische werke 2023 portal - Oct 21 2022

web basis bibliothek philosophie 100 klassische werke downloaded from portal nivbook co il by guest cassius natalie schopenhauer und goethe ediciones akal kitchen cooking nutrition and eating have become omnipresent cultural topics they stand at the center of design gastronomy nutrition science and agriculture artists have

robert zimmer das philosophenportal - Feb 10 2022

web apr 8 2020 basis bibliothek philosophie von den vorsokratikern bis zu habermas 100 klassische philosophische werke in kurzessays dargestellt

a level business studies mark scheme unit 01 revision world - Oct 07 2022

web enjoy now is buss1 june 13 answers below this is likewise one of the factors by obtaining the soft documents of this

buss1 june 13 answers by online you might not require

buss1 planning and financing a business mark scheme - Jun 15 2023

web business studies buss1 planning and financing a business mark scheme 2130 june 2014 version 1 0 final mark schemes are prepared by the lead assessment writer and

[buss1 june 13 answers pdf pdf gestudy byu edu](#) - Nov 08 2022

web mark scheme as business studies buss1 june 2016 4 of 16 additional guidance for marking scheme this marking scheme requires decisions to be

buss1000 s1 2023 consulting report task 1 studocu - Feb 28 2022

web aug 17 2023 answers along with amendment based questions cs executive june dec 2023 exams mathematics extension 1 from ancient to modern hkdse

mark scheme general c yumpu - Aug 17 2023

web aqa buss1 w ms jun13 en english deutsch français espagnol portugûs italiano român nederlands latina dansk svenska norsk magyar bahasa indonesia türkçe

buss1 june 13 answers help environment harvard edu - Jan 10 2023

web buss1 june 13 answers pdf thank you very much for downloading buss1 june 13 answers pdf maybe you have knowledge that people have look numerous times for

transitlink eguide bus service information - Nov 27 2021

e book buss1 june 13 answers read free - Aug 05 2022

web sep 7 2023 bus service 991 is a trunk service plying between bukit batok and choa chu kang connecting many

residential estates around bukit batok bukit gombak choa chu

buss1 lessons from june 2013 business tutor2u - Feb 11 2023

web buss1 june 13 answers getting the books buss1 june 13 answers now is not type of challenging means you could not lonely going like book gathering or library or borrowing

downloadable free pdfs buss1 june 13 answers pdf - Dec 09 2022

web jun 10 2023 this buss1 june 13 answers pdf but end up in harmful downloads rather than reading a good book with a cup of tea in the afternoon instead they juggled with

general certificate of education a level june 2013 expert tuition - Oct 19 2023

web mark scheme general certificate of education a level business studies buss1 june 2013 6 answer 101 538 units or 101 539 units 5 marks if wrong units used

online library buss1 june 13 answers free download pdf - Sep 06 2022

web aug 22 2023 e book buss1 june 13 answers read free yeah reviewing a books buss1 june 13 answers could build up your near contacts listings this is just one of

e book buss1 jan 13 past paper free reading fullpersonalcare - Jan 30 2022

web s1 faq what time does the s1 bus start operating services on the s1 bus start at 12 00 am on sunday monday tuesday wednesday thursday friday saturday

github - Sep 18 2023

web payload allshortcutsenabled false filetype items name 1 png path 1 png contenttype file name business information solutions

buss1 june 13 answers uniport edu ng - Apr 01 2022

web buss1000 assignment 1 future of business s1 2023 consulting report for client qantas group due week sunday 11 59pm on canvas the australian aviation industry

s1 route schedules stops maps  *moovit* - Dec 29 2021

web after 2400 hours buses leaving choa chu kang int will operate as 991b service 991c operates from choa chu kang ave 3 opp blk 464 to bt batok west ave 5 bt gombak

smrt bus service 991 land transport guru - Jul 04 2022

web buss1 june 13 answers pdf eventually you will unconditionally discover a new experience and carrying out by spending more cash yet when realize you allow that you require to

read free buss1 june 13 answers read pdf free ftadoc rsp - Jul 16 2023

web we find the money for buss1 june 13 answers and numerous ebook collections from fictions to scientific research in any

way in the midst of them is this buss1 june 13

buss1 june 13 answers pdf icapro - Jun 03 2022

web the enigmatic realm of buss1 june 13 answers unleashing the language is inner magic in a fast paced digital era where connections and knowledge intertwine the enigmatic

bus201 practice questions 2023 bus201 contract and - Mar 12 2023

web sep 18 2013 the buss1 examiners report for the june 2013 sitting makes interesting reading along with some excellent advice on how students can maximise their chances

buss1 june 13 answers ceu social - May 02 2022

web jul 3 2023 buss1 june 13 answers 1 7 downloaded from uniport edu ng on july 3 2023 by guest buss1 june 13 answers this is likewise one of the factors by obtaining the

aq a buss1 wre jun13 yumpu - May 14 2023

web aq a buss1 wre jun13 en english deutsch français español portuguê s italiano român nederlands latina dansk svenska norsk magyar bahasa indonesia türkçe suomi

buss 1 june 2012 a grade answer slideshare - Apr 13 2023

web contract and agency law96 23 e learning statistics f a q 2023 studeersnel b v keizersgracht 424 1016 gc amsterdam kvk 56829787 btw nl852321363b01

This Engaging World of E-book Books: A Comprehensive Guide Revealing the Advantages of Kindle Books: A World of Convenience and Versatility E-book books, with their inherent portability and ease of availability, have liberated readers from the constraints of hardcopy books. Gone are the days of lugging cumbersome novels or meticulously searching for specific titles in shops. Kindle devices, sleek and lightweight, seamlessly store an wide library of books, allowing readers to indulge in their preferred reads anytime, everywhere. Whether traveling on a bustling train, lounging on a sunny beach, or just cozying up in bed, Kindle books provide an unparalleled level of convenience. A Reading World Unfolded: Discovering the Vast Array of Kindle Suzuki Vitara Wiring Diagram Engine Control Suzuki Vitara Wiring Diagram Engine Control The Kindle Shop, a virtual treasure trove of literary gems, boasts an extensive collection of books spanning varied genres, catering to every readers preference and preference. From gripping fiction and mind-stimulating non-fiction to classic classics and modern bestsellers, the E-book Shop offers an exceptional abundance of titles to explore. Whether seeking escape through engrossing tales of fantasy and adventure, delving into the depths of historical narratives, or expanding ones knowledge with insightful works of science and philosophy, the E-book Shop provides a doorway to a literary universe brimming with limitless possibilities. A Transformative Factor in the Literary Landscape: The Persistent Impact of E-book Books Suzuki Vitara Wiring Diagram Engine Control The advent of E-book books has unquestionably reshaped the literary scene, introducing a paradigm shift in the way books are published, disseminated, and read. Traditional publication houses have embraced the online revolution, adapting their approaches to accommodate the growing demand for e-books. This has led to a rise in the accessibility of E-book titles, ensuring that readers have access to a wide array of bookish works at their fingers. Moreover, Kindle books have equalized entry to literature, breaking down geographical barriers and offering readers worldwide with similar opportunities to engage with the written word. Irrespective of their place or socioeconomic background, individuals can now immerse themselves in the captivating world of books, fostering a global community of readers. Conclusion: Embracing the Kindle Experience Suzuki Vitara Wiring Diagram Engine Control Kindle books Suzuki Vitara Wiring Diagram Engine Control, with their inherent ease, flexibility, and wide array of titles, have unquestionably transformed the way we encounter literature. They offer readers the liberty to discover the boundless realm of written expression, whenever, everywhere. As we continue to travel the ever-evolving digital landscape, Kindle books stand as testament to the persistent power of storytelling, ensuring that the joy of reading remains accessible to all.

https://offsite.creighton.edu/files/virtual-library/Documents/glencoe_algebra_2.pdf

https://offsite.creighton.edu/files/virtual-library/Documents/geometry_exam_review_answer_key.pdf

Table of Contents Suzuki Vitara Wiring Diagram Engine Control

1. Understanding the eBook Suzuki Vitara Wiring Diagram Engine Control
 - The Rise of Digital Reading Suzuki Vitara Wiring Diagram Engine Control
 - Advantages of eBooks Over Traditional Books
2. Identifying Suzuki Vitara Wiring Diagram Engine Control
 - Exploring Different Genres
 - Considering Fiction vs. Non-Fiction
 - Determining Your Reading Goals
3. Choosing the Right eBook Platform
 - Popular eBook Platforms
 - Features to Look for in an Suzuki Vitara Wiring Diagram Engine Control
 - User-Friendly Interface
4. Exploring eBook Recommendations from Suzuki Vitara Wiring Diagram Engine Control
 - Personalized Recommendations
 - Suzuki Vitara Wiring Diagram Engine Control User Reviews and Ratings
 - Suzuki Vitara Wiring Diagram Engine Control and Bestseller Lists
5. Accessing Suzuki Vitara Wiring Diagram Engine Control Free and Paid eBooks
 - Suzuki Vitara Wiring Diagram Engine Control Public Domain eBooks
 - Suzuki Vitara Wiring Diagram Engine Control eBook Subscription Services
 - Suzuki Vitara Wiring Diagram Engine Control Budget-Friendly Options
6. Navigating Suzuki Vitara Wiring Diagram Engine Control eBook Formats
 - ePub, PDF, MOBI, and More
 - Suzuki Vitara Wiring Diagram Engine Control Compatibility with Devices
 - Suzuki Vitara Wiring Diagram Engine Control Enhanced eBook Features
7. Enhancing Your Reading Experience

- Adjustable Fonts and Text Sizes of Suzuki Vitara Wiring Diagram Engine Control
- Highlighting and Note-Taking Suzuki Vitara Wiring Diagram Engine Control
- Interactive Elements Suzuki Vitara Wiring Diagram Engine Control
- 8. Staying Engaged with Suzuki Vitara Wiring Diagram Engine Control
 - Joining Online Reading Communities
 - Participating in Virtual Book Clubs
 - Following Authors and Publishers Suzuki Vitara Wiring Diagram Engine Control
- 9. Balancing eBooks and Physical Books Suzuki Vitara Wiring Diagram Engine Control
 - Benefits of a Digital Library
 - Creating a Diverse Reading Collection Suzuki Vitara Wiring Diagram Engine Control
- 10. Overcoming Reading Challenges
 - Dealing with Digital Eye Strain
 - Minimizing Distractions
 - Managing Screen Time
- 11. Cultivating a Reading Routine Suzuki Vitara Wiring Diagram Engine Control
 - Setting Reading Goals Suzuki Vitara Wiring Diagram Engine Control
 - Carving Out Dedicated Reading Time
- 12. Sourcing Reliable Information of Suzuki Vitara Wiring Diagram Engine Control
 - Fact-Checking eBook Content of Suzuki Vitara Wiring Diagram Engine Control
 - Distinguishing Credible Sources
- 13. Promoting Lifelong Learning
 - Utilizing eBooks for Skill Development
 - Exploring Educational eBooks
- 14. Embracing eBook Trends
 - Integration of Multimedia Elements
 - Interactive and Gamified eBooks

Suzuki Vitara Wiring Diagram Engine Control Introduction

In this digital age, the convenience of accessing information at our fingertips has become a necessity. Whether its research papers, eBooks, or user manuals, PDF files have become the preferred format for sharing and reading documents. However,

the cost associated with purchasing PDF files can sometimes be a barrier for many individuals and organizations. Thankfully, there are numerous websites and platforms that allow users to download free PDF files legally. In this article, we will explore some of the best platforms to download free PDFs. One of the most popular platforms to download free PDF files is Project Gutenberg. This online library offers over 60,000 free eBooks that are in the public domain. From classic literature to historical documents, Project Gutenberg provides a wide range of PDF files that can be downloaded and enjoyed on various devices. The website is user-friendly and allows users to search for specific titles or browse through different categories. Another reliable platform for downloading Suzuki Vitara Wiring Diagram Engine Control free PDF files is Open Library. With its vast collection of over 1 million eBooks, Open Library has something for every reader. The website offers a seamless experience by providing options to borrow or download PDF files. Users simply need to create a free account to access this treasure trove of knowledge. Open Library also allows users to contribute by uploading and sharing their own PDF files, making it a collaborative platform for book enthusiasts. For those interested in academic resources, there are websites dedicated to providing free PDFs of research papers and scientific articles. One such website is Academia.edu, which allows researchers and scholars to share their work with a global audience. Users can download PDF files of research papers, theses, and dissertations covering a wide range of subjects. Academia.edu also provides a platform for discussions and networking within the academic community. When it comes to downloading Suzuki Vitara Wiring Diagram Engine Control free PDF files of magazines, brochures, and catalogs, Issuu is a popular choice. This digital publishing platform hosts a vast collection of publications from around the world. Users can search for specific titles or explore various categories and genres. Issuu offers a seamless reading experience with its user-friendly interface and allows users to download PDF files for offline reading. Apart from dedicated platforms, search engines also play a crucial role in finding free PDF files. Google, for instance, has an advanced search feature that allows users to filter results by file type. By specifying the file type as "PDF," users can find websites that offer free PDF downloads on a specific topic. While downloading Suzuki Vitara Wiring Diagram Engine Control free PDF files is convenient, it's important to note that copyright laws must be respected. Always ensure that the PDF files you download are legally available for free. Many authors and publishers voluntarily provide free PDF versions of their work, but it's essential to be cautious and verify the authenticity of the source before downloading Suzuki Vitara Wiring Diagram Engine Control. In conclusion, the internet offers numerous platforms and websites that allow users to download free PDF files legally. Whether it's classic literature, research papers, or magazines, there is something for everyone. The platforms mentioned in this article, such as Project Gutenberg, Open Library, Academia.edu, and Issuu, provide access to a vast collection of PDF files. However, users should always be cautious and verify the legality of the source before downloading Suzuki Vitara Wiring Diagram Engine Control any PDF files. With these platforms, the world of PDF downloads is just a click away.

FAQs About Suzuki Vitara Wiring Diagram Engine Control Books

1. Where can I buy Suzuki Vitara Wiring Diagram Engine Control books? Bookstores: Physical bookstores like Barnes & Noble, Waterstones, and independent local stores. Online Retailers: Amazon, Book Depository, and various online bookstores offer a wide range of books in physical and digital formats.
2. What are the different book formats available? Hardcover: Sturdy and durable, usually more expensive. Paperback: Cheaper, lighter, and more portable than hardcovers. E-books: Digital books available for e-readers like Kindle or software like Apple Books, Kindle, and Google Play Books.
3. How do I choose a Suzuki Vitara Wiring Diagram Engine Control book to read? Genres: Consider the genre you enjoy (fiction, non-fiction, mystery, sci-fi, etc.). Recommendations: Ask friends, join book clubs, or explore online reviews and recommendations. Author: If you like a particular author, you might enjoy more of their work.
4. How do I take care of Suzuki Vitara Wiring Diagram Engine Control books? Storage: Keep them away from direct sunlight and in a dry environment. Handling: Avoid folding pages, use bookmarks, and handle them with clean hands. Cleaning: Gently dust the covers and pages occasionally.
5. Can I borrow books without buying them? Public Libraries: Local libraries offer a wide range of books for borrowing. Book Swaps: Community book exchanges or online platforms where people exchange books.
6. How can I track my reading progress or manage my book collection? Book Tracking Apps: Goodreads, LibraryThing, and Book Catalogue are popular apps for tracking your reading progress and managing book collections. Spreadsheets: You can create your own spreadsheet to track books read, ratings, and other details.
7. What are Suzuki Vitara Wiring Diagram Engine Control audiobooks, and where can I find them? Audiobooks: Audio recordings of books, perfect for listening while commuting or multitasking. Platforms: Audible, LibriVox, and Google Play Books offer a wide selection of audiobooks.
8. How do I support authors or the book industry? Buy Books: Purchase books from authors or independent bookstores. Reviews: Leave reviews on platforms like Goodreads or Amazon. Promotion: Share your favorite books on social media or recommend them to friends.
9. Are there book clubs or reading communities I can join? Local Clubs: Check for local book clubs in libraries or community centers. Online Communities: Platforms like Goodreads have virtual book clubs and discussion groups.
10. Can I read Suzuki Vitara Wiring Diagram Engine Control books for free? Public Domain Books: Many classic books are available for free as they're in the public domain. Free E-books: Some websites offer free e-books legally, like Project Gutenberg or Open Library.

Find Suzuki Vitara Wiring Diagram Engine Control :

[glencoe algebra 2](#)

[geometry exam review answer key](#)

[gabriel's inferno book series](#)

german sentence structure practice

[god will make a way out of no way](#)

general ledger template

generation genius inherited traits

goethe pronunciation american

godly advice for young ladies

gizmo answers digestive system

[gifted kindergarten test sample](#)

god chasers church

[gift of the magi pdf](#)

german kitchen ritual peanut butter

ge lightspeed vct

Suzuki Vitara Wiring Diagram Engine Control :