

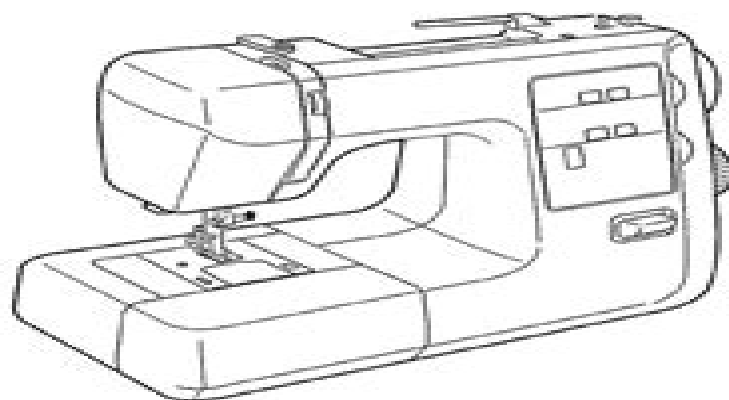
SEARS

Owner's Manual
Manual de Instrucciones
Manuel d'Instructions



SEWING MACHINE
MAQUINA DE COSER
MACHINE À COUDRE

Models	}	385. 17630 385. 17627
Modelos		
Modèles		



CAUTION:

Before using sewing machine,
read this manual and follow
all its Safety Rules and
Operating Instructions.

- Safety Instructions
- Warranty
- Specifications
- Operation
- Care and Maintenance
- Troubleshooting

Sears Canada Inc., Toronto, Ont., M5B 2B8

Kenmore Repair Manuals Free

LL Leslie



Kenmore Repair Manuals Free

Popular Mechanics Home Appliance Repair Manual Allen D. Bragdon,1981 **Troubleshooting and Repairing Major Appliances, 2nd Ed.** Eric Kleinert,2007-05-22 Use the Latest Tools and Techniques to Troubleshoot and Repair Major Appliances Microwaves and Room Air Conditioners Now covering both gas and electric appliances the updated second edition of Troubleshooting and Repairing Major Appliances offers you a complete guide to the latest tools techniques and parts for troubleshooting and repairing any appliance Packed with over 200 illustrations the book includes step by step procedures for testing and replacing parts instructions for reading wiring diagrams charts with troubleshooting solutions advice on using tools and test meters safety techniques and more The second edition of Troubleshooting and Repairing Major Appliances features Expert coverage of major appliances Cutting edge guidance on appliance operation testing and repairing wiring preventive maintenance and tools and test meters New to this edition information on both gas and electric appliances 10 entirely new chapters new illustrations throughout Inside This Updated Troubleshooting and Repair Manual Fundamentals of Service Selection Purchase and Installation of Appliances and Air Conditioners Safety Precautions Tools for Installation and Repair Basic Techniques Fundamentals of Electric Electronic and Gas Appliances and Room Air Conditioners Electricity Electronics Gas Principles of Air Conditioning and Refrigeration Electric Electronic and Gas Appliance Parts Appliance Service Installation and Preventive Maintenance Procedures Dishwashers Garbage Disposers Electric and Gas Water Heaters Washers Electric and Gas Dryers Electric and Gas Ranges Ovens Microwave Ovens Refrigerators and Freezers Ice Makers Room Air Conditioners Popular Mechanics ,1978-03 Popular Mechanics inspires instructs and influences readers to help them master the modern world Whether it s practical DIY home improvement tips gadgets and digital technology information on the newest cars or the latest breakthroughs in science PM is the ultimate guide to our high tech lifestyle *Popular Mechanics* ,1972-11 Popular Mechanics inspires instructs and influences readers to help them master the modern world Whether it s practical DIY home improvement tips gadgets and digital technology information on the newest cars or the latest breakthroughs in science PM is the ultimate guide to our high tech lifestyle Popular Mechanics ,1968-01 Popular Mechanics inspires instructs and influences readers to help them master the modern world Whether it s practical DIY home improvement tips gadgets and digital technology information on the newest cars or the latest breakthroughs in science PM is the ultimate guide to our high tech lifestyle *Popular Mechanics* ,1967-04 Popular Mechanics inspires instructs and influences readers to help them master the modern world Whether it s practical DIY home improvement tips gadgets and digital technology information on the newest cars or the latest breakthroughs in science PM is the ultimate guide to our high tech lifestyle **Popular Mechanics** ,1944-11 Popular Mechanics inspires instructs and influences readers to help them master the modern world Whether it s practical DIY home improvement tips gadgets and

digital technology information on the newest cars or the latest breakthroughs in science PM is the ultimate guide to our high tech lifestyle **Popular Mechanics** ,1976-06 Popular Mechanics inspires instructs and influences readers to help them master the modern world Whether it s practical DIY home improvement tips gadgets and digital technology information on the newest cars or the latest breakthroughs in science PM is the ultimate guide to our high tech lifestyle *The Major Appliance Service National Price Guide* Steve Walker,Dean Landers, **Popular Mechanics** ,1967-02 Popular Mechanics inspires instructs and influences readers to help them master the modern world Whether it s practical DIY home improvement tips gadgets and digital technology information on the newest cars or the latest breakthroughs in science PM is the ultimate guide to our high tech lifestyle **Popular Mechanics** ,1967-11 Popular Mechanics inspires instructs and influences readers to help them master the modern world Whether it s practical DIY home improvement tips gadgets and digital technology information on the newest cars or the latest breakthroughs in science PM is the ultimate guide to our high tech lifestyle Popular Mechanics ,1981-09 Popular Mechanics inspires instructs and influences readers to help them master the modern world Whether it s practical DIY home improvement tips gadgets and digital technology information on the newest cars or the latest breakthroughs in science PM is the ultimate guide to our high tech lifestyle *Popular Mechanics* ,1944-12 Popular Mechanics inspires instructs and influences readers to help them master the modern world Whether it s practical DIY home improvement tips gadgets and digital technology information on the newest cars or the latest breakthroughs in science PM is the ultimate guide to our high tech lifestyle Popular Mechanics ,1999-04 Popular Mechanics inspires instructs and influences readers to help them master the modern world Whether it s practical DIY home improvement tips gadgets and digital technology information on the newest cars or the latest breakthroughs in science PM is the ultimate guide to our high tech lifestyle **Popular Mechanics** ,1963-10 Popular Mechanics inspires instructs and influences readers to help them master the modern world Whether it s practical DIY home improvement tips gadgets and digital technology information on the newest cars or the latest breakthroughs in science PM is the ultimate guide to our high tech lifestyle Popular Mechanics ,1981-06 Popular Mechanics inspires instructs and influences readers to help them master the modern world Whether it s practical DIY home improvement tips gadgets and digital technology information on the newest cars or the latest breakthroughs in science PM is the ultimate guide to our high tech lifestyle *New Fix-it-yourself Manual* Editors of Reader's Digest,Reader's Digest Association,2009-06-11 A troubleshooting chart and gorgeous clear diagrams will explain not only how to fix almost any household problem but also gives the level of technical skill required to finish the job as well any special tools required to do so Popular Mechanics ,1981-12 Popular Mechanics inspires instructs and influences readers to help them master the modern world Whether it s practical DIY home improvement tips gadgets and digital technology information on the newest cars or the latest breakthroughs in science PM is the ultimate guide to our high tech lifestyle **Popular Mechanics** ,1962-07 Popular Mechanics inspires instructs and

influences readers to help them master the modern world Whether it s practical DIY home improvement tips gadgets and digital technology information on the newest cars or the latest breakthroughs in science PM is the ultimate guide to our high tech lifestyle **Popular Mechanics** ,1990-04 Popular Mechanics inspires instructs and influences readers to help them master the modern world Whether it s practical DIY home improvement tips gadgets and digital technology information on the newest cars or the latest breakthroughs in science PM is the ultimate guide to our high tech lifestyle

termination of therapy letter sample and process - Jul 21 2022

web a tips on how to terminate therapy including therapist initiated termination and a termination of therapy letter sample for clinicians

how to write a discharge summary discharge letter geeky - Jul 01 2023

web feb 8 2019 an essential part of this process is the documentation of a discharge summary a discharge summary is a clinical report prepared by a health professional at the conclusion of a hospital stay or series of treatments it is often the primary mode of communication between the hospital care team and aftercare providers

what makes a successful or unsuccessful discharge letter - Oct 24 2022

web apr 15 2021 unexplained acronyms and jargon were identified in the majority of the sample 70 of letters analysis of gp comments highlighted that the overall clarity of discharge letters is important for effective and safe care transitions and that they should be relevant concise and comprehensible

documenting end of care in the golden thread discharge - Sep 03 2023

web may 11 2022 sample discharge templates additionally as a resource for sondermind providers we ve created a discharge template that you can access here to help you fill out discharge summaries we ve also developed examples featuring fictional clients and their clinical records

discharge letter from mental health services your health - Jun 19 2022

web 2 days ago webdepressed information received from ms nesmith ms nesmith s family depression history ms nesmith describes symptoms of a depressive disorder the apparent icanotes com wp content uploads 2020 11 mental 20health 20discharge 20summary 20sample pdf

sample mental health discharge letter your health improve - Feb 13 2022

web 7 days ago web1 mental health discharge summary magellanofpa com details file format pdf size 49 kb download 2 final mental health discharge summary report theprsb org details file format pdf size 60 kb examples com business summary business mental health discharge

best practices for behavioral health discharge planning - Feb 25 2023

web core functions of a discharge planner may include 1 providing education to individuals and their support system 2 teaching about the member s primary diagnosis and co morbidities prescribed medication community services and crisis supports discharge planners engage a teach back model

mental health discharge letter - Apr 17 2022

web discharge from the mental health act rethink mental illness health 3 days ago webcontact us overview if you are under section 2 3 or 37 you can ask the hospital managers to discharge you apply to a tribunal to appeal your section get free representation from

mental health discharge summary sample icanotes - Apr 29 2023

web current symptoms ms nesmith s reported depressive symptoms are as follows appetite has decreased concentration difficulties has crying spells fatigue increased worrying sadness affecting work punctuality ms nesmith is late to work due to depressive episodes suicidality ms nesmith denies suicidal ideas or intentions

psychiatric discharge summaries what do general practitioners - Dec 26 2022

web the psychiatric discharge letter or summary typically serves two masters an internal purpose is for future reference within secondary care and the external purpose is to communicate with primary care the starting point of one study 10 was guidance by psychiatrists for psychiatrists

mental health discharge summary 10 examples format pdf - Aug 02 2023

web 10 mental health discharge summary examples 1 mental health discharge summary 2 final mental health discharge summary report 3 mental health discharge planning summary 4 discharge planning summary for a mental health inpatient 5 discharge summary for mental health treatment 6 sample mental

if you are a nearest relative you will need to use a letter mind - Mar 29 2023

web order for discharge under section 23 of the mental health act 1983 my name is your name and my address is your address complete a b or c below a to the best of my knowledge and belief i am the nearest relative within the meaning of the mental health act 1983 of name of patient or b

discharge letter emedsa - Nov 24 2022

web discharge letter how to write a discharge letter purpose ensuring continuity of care prevent duplication of investigations or unnecessary procedures medico legal purposes professional courtesy style insert an empty line between paragraphs for readability and flow

development and testing of the qdis mh checklist for discharge letters - Jan 27 2023

web the objectives were to 1 detect which information relevant stakeholders defined as important to include in discharge letters from mental health specialist services 2 develop a checklist to measure the quality of discharge letters and 3 test the

psychometric properties of the checklist

free 10 mental health discharge summary samples sample - May 31 2023

web mental health discharge summary 10 mental health discharge summary samples 1 mental health discharge summary sample 2 mental health treatment discharge summary 3 mental health patient discharge summary 4 printable mental health discharge summary 5 standard mental health discharge summary 6 mental

mental health discharge letter template your health improve - Mar 17 2022

web treatment nutrition what does a psychotherapist s termination letter include health 1 days ago webat that time it is prudent to write a termination letter to formally document the end of that relationship here is a list of the things that should be included in that

discharge note discharge summary with example mentalyc - Oct 04 2023

web may 6 2023 discharge note example and template here is an example of a discharge note for kevin mcallister aka macaulay cullkin s character on home alone discharge note client kevin mcallister reason for termination the client achieved goals

pdf sample mental health discharge letter - May 19 2022

web sample mental health discharge letter new aspects of the mental health services apr 03 2021 utilization of short stay hospitals in the treatment of mental disorders 1974 1978 nov 10 2021 hospitalization in the united states 2002 mar 02 2021 discharge planning aug 19 2022 mental health commission code of practice jun 24 2020

sample patient discharge letter in word and pdf formats - Aug 22 2022

web sample patient discharge letter 1 practice name practice address practice phone and fax number letter sent date patient name patient address dear patient name accordi ng to our r ecords dr physicianlastname is your assigned primary care physician pcp

what does a psychotherapist s termination letter include - Sep 22 2022

web what does a psychotherapist s termination letter include by tamara suttle if we are successful in our work with clients our professional relationship with them ends at that time it is prudent to write a termination letter to formally document the end of that relationship here is a list of the things that should be included in that letter

tarocchi delle 78 porte lo scarabeo s r l - Oct 04 2022

web i tarocchi delle 78 porte con carte piro alligo antonella platano 9788883954542 books amazon ca

i tarocchi delle 78 porte carte di piro alligo - Feb 08 2023

web tarocchi delle 78 porte ogni aspetto della nostra esistenza può essere pensato come un passaggio un varco una porta amore rancore amicizia successo fallimento

tarocchi delle 78 porte pietro alligo e antonella platano - Mar 09 2023

web acquista online il libro i tarocchi delle 78 porte con carte di pietro alligo antonella platano in offerta a prezzi imbattibili su mondadori store carta payback di mondadori

i tarocchi delle 78 porte con carte paperback jan 1 2010 - Jul 01 2022

web tarocchi del libro delle ombre con 78 carte sep 14 2022 i tarocchi degli angeli custodi 78 carte con libro aug 13 2022 subject catalog oct 23 2020 tarocchi

i tarocchi delle 78 porte con carte paperback amazon de - Sep 03 2022

web un mazzo di tarocchi basato sull'antica tradizione dell'astrologia un volume che spiega come interpretare le carte e il significato simbolico di ogni elemento astrologico illustrazioni originali in cui le caratteristiche esoteriche delle figure sono tarocchi delle 78 porte enciclopedia dei tarocchi - Jan 07 2023

web le carte di questo mazzo sono 78 porte fisiche e metaforiche in grado di fornirci la chiave della porta più importante quella della nostra anima pietro alligo arte di antonella

amazon it tarocchi delle 78 porte - Jul 13 2023

web 1 48 dei 825 risultati in tarocchi delle 78 porte risultati scopri questi risultati il prezzo e altri dettagli possono variare in base alle dimensioni e al colore del prodotto i tarocchi

i tarocchi delle 78 porte con carte paperback amazon com - Dec 26 2021

web i tarocchi delle 78 porte con carte i tarocchi delle 78 porte con carte 1 downloaded from rjonline org on 2021 04 27 by guest i tarocchi delle 78 porte con carte

i tarocchi delle 78 porte con carte mondadori store - Dec 06 2022

web i tarocchi delle 78 porte con carte pietro alligo antonella platano amazon de books

i tarocchi delle 78 porte con carte copertina flessibile amazon it - Aug 14 2023

web le carte di questo mazzo sono 78 porte fisiche e metaforiche in grado di fornirci la chiave della porta più importante quella della nostra anima isbn 978 888395454 2 autori

i tarocchi dello zodiaco cecilia lattari carte - May 31 2022

web apr 5 2019 gli arcani maggiori o trionfi sono 22 carte 22 chiavi di interpretazione con un significato simbolico attraente e coinvolgente per chiunque le avvicini sia per curiosità sia perchè crede possano essere un valido aiuto per affrontare le sfide che la vita propone domanda per scettici

tarocchi 78 carte da gioco interpretazione e significato - Feb 25 2022

web i tarocchi delle 78 porte con carte is available in our digital library an online access to it is set as public so you can download it instantly our book servers saves in multiple

amazon it tarocchi 78 porte - Jun 12 2023

web questa guida propone una panoramica delle 78 carte dei tarocchi e permette di scoprire le loro caratteristiche i loro attributi positivi e negativi la loro simbologia e la loro

i tarocchi delle 78 porte con carte acquisti online su ebay - Aug 02 2022

web tarocchi delle 78 porte pietra alligo arte di antonella platano 78 carte 66 120 mm istruzioni disponibile in i uk f d es ogni aspetto della nostra esistenza può essere

i tarocchi delle 78 porte con carte amazon com be - Apr 10 2023

web le carte di questo mazzo sono 78 porte fisiche e metaforiche in grado di fornirci la chiave della porta più importante quella della nostra anima dettagli carte editore

i tarocchi delle 78 porte con carte download only wef tamu - Nov 24 2021

i tarocchi delle 78 porte con carte copy rjonline org - Sep 22 2021

le 78 carte dei tarocchi tutti i significati 7tarocchi - May 11 2023

web feb 15 2010 i tarocchi delle 78 porte con carte alligo pietra platano antonella amazon com be books

pdf i tarocchi delle 78 porte con carte - Mar 29 2022

web i tarocchi delle 78 porte con carte on amazon com free shipping on qualifying offers i tarocchi delle 78 porte con carte tarocchi delle 78 porte lo shop online dei cartomanti europei - Nov 05 2022

web le migliori offerte per i tarocchi delle 78 porte con carte sono su ebay confronta prezzi e caratteristiche di prodotti nuovi e usati molti articoli con consegna gratis

i tarocchi delle 78 porte con carte francesco cherubini copy - Oct 24 2021

tarocchi delle 78 porte il crogiuolo - Apr 29 2022

web per chi sono le carte dei tarocchi delle 78 porte i tarocchi delle 78 porte è perfetto per i principianti le carte qui si distinguono per una trama semplice e intuitiva È facile

tarocchi delle 78 porte recensione del mazzo - Jan 27 2022

web importanti mazzi dei tarocchi in modo da permettere una scelta più ampia delle carte che si utilizzeranno per la pratica e lo studio oltre alle spiegazioni dettagliate degli arcani il

books by sanrio author of the aggretsuko guide to office life - Nov 15 2021

bringing ghost ponds back to life ucl department of - Oct 15 2021

watch aggretsuko netflix official site - Feb 16 2022

web nov 7 2023 the report emphasises the relative ease with which ponds can be brought to life digging out new ponds and rehabilitating ghost ponds and tree shaded ponds can

the aggretsuko guide to office life sanrio book red panda - Oct 27 2022

web oct 23 2018 about the book aggretsuko is all the rage a 25 year old red panda who s sanrio s newest character and has her own netflix show aggretsuko lives a

the aggretsuko guide to office life overdrive - Jan 30 2023

web a colorful guide to office life as written by a lively and frustrated red panda aggretsuko is all the rage sanrio s newest character is a 25 year old red panda with her own netflix

the aggretsuko guide to office life sanrio book red panda - Nov 27 2022

web shop the aggretsuko guide to office life sanrio book red panda comic character kawaii gift quirky humor for animal lovers paperback illustrated october 23 2018

the aggretsuko guide to office life sanrio book red panda - Sep 06 2023

web oct 23 2018 a colorful guide to office life as written by the beleaguered twenty five year old red panda and star of the hit netflix show aggretsuko may seem like just a cute

the aggretsuko guide to office life forbidden planet - Jan 18 2022

the aggretsuko guide to office life crunchyroll store - Feb 28 2023

web a colorful guide to office life as written by a lively and frustrated red panda aggretsuko is all the rage sanrio s newest character is a 25 year old red panda with her own netflix

the aggretsuko guide to office life livebrary com overdrive - Apr 20 2022

web feb 7 2022 guide meet the fiercely cute characters of aggretsuko your guide to the main players of sanrio s animated hit starring a metal loving red panda by brittany

sanrio and chronicle books to publish the aggretsuko guide to - Mar 20 2022

web sanrio s most popular book is the aggretsuko guide to office life

the aggretsuko guide to office life google books - Apr 01 2023

web oct 23 2018 the aggretsuko guide to office life ebook by sanrio read a sample format ebook isbn 9781452171524 author sanrio publisher chronicle books llc

[the aggretsuko guide to office life sanrio book red panda](#) - Dec 29 2022

web the aggretsuko guide to office life sanrio book red panda comic character kawaii gift quirky humor for animal lovers softcover sanrio 3 89 avg rating 196 ratings

the aggretsuko guide to office life sanrio google books - May 02 2023

web the aggretsuko guide to office life graphic novel features story and art by sanrio a colorful guide to office life as written by a lively and frustrated red panda aggretsuko

[the aggretsuko guide to office life by sanrio paperback](#) - Aug 25 2022

web oct 23 2018 10 75 add to list in stock we aim to send from sydney within 1 3 working days synopsis product details delivery aggretsuko is all the rage a 25 year old

the aggretsuko guide to office life barnes noble - Jul 04 2023

web oct 23 2018 a colorful guide to office life as written by the beleaguered twenty five year old red panda and star of the hit netflix show aggretsuko may seem like just a cute

[the aggretsuko guide to office life by sanrio](#) - Oct 07 2023

web oct 23 2018 paperback 12 39 51 used from 1 11 20 new from 10 40 a colorful guide to office life as written by a lively and frustrated red panda aggretsuko is all the rage

[the aggretsuko guide to office life sanrio book red panda](#) - Jun 03 2023

web a colorful guide to office life as written by a lively and frustrated red panda aggretsuko is all the rage sanrio s newest character is a 25 year old red panda with her own netflix

watch aggretsuko netflix official site - Jun 22 2022

web oct 17 2018 now fans can get aggretsuko s tips and techniques for navigating the tricky office environment in her first ever book the aggretsuko guide to office life from

meet the fiercely cute characters of aggretsuko netflix - Dec 17 2021

the aggretsuko guide to office life kindle edition amazon com - Aug 05 2023

web the aggretsuko guide to office life sanrio book red panda comic character kawaii gift quirky humor for animal lovers sanrio amazon com tr kitap

the aggretsuko guide to office life angus robertson - May 22 2022

web aggretsuko is all the rage a 25 year old red panda who s sanrio s newest character and has her own netflix show aggretsuko lives a stressful work life that s all too relatable

9781452171524 *the aggretsuko guide to office life sanrio* - Jul 24 2022

web a colorful guide to office life as written by the beleaguered twenty five year old red panda and star of the hit netflix show
aggretsuko may seem like just a cute endearing little

[the aggretsuko guide to office life sanrio book ubuy turkey](#) - Sep 25 2022

web the aggretsuko guide to office life sanrio book red panda comic character kawaii gift quirky humor for animal lovers by
sanrio at abebooks co uk isbn 10

Immerse yourself in the artistry of words with Experience Art with its expressive creation, Immerse Yourself in **Kenmore Repair Manuals Free** . This ebook, presented in a PDF format (*), is a masterpiece that goes beyond conventional storytelling. Indulge your senses in prose, poetry, and knowledge. Download now to let the beauty of literature and artistry envelop your mind in a unique and expressive way.

https://offsite.creighton.edu/files/virtual-library/Documents/irish_cook_book.pdf

https://offsite.creighton.edu/files/virtual-library/Documents/ingersoll_rand_city_of_industry.pdf

https://offsite.creighton.edu/files/virtual-library/Documents/insurance_customer_service_resume.pdf

Table of Contents Kenmore Repair Manuals Free

1. Understanding the eBook Kenmore Repair Manuals Free
 - The Rise of Digital Reading Kenmore Repair Manuals Free
 - Advantages of eBooks Over Traditional Books
2. Identifying Kenmore Repair Manuals Free
 - Exploring Different Genres
 - Considering Fiction vs. Non-Fiction
 - Determining Your Reading Goals
3. Choosing the Right eBook Platform
 - Popular eBook Platforms
 - Features to Look for in an Kenmore Repair Manuals Free
 - User-Friendly Interface
4. Exploring eBook Recommendations from Kenmore Repair Manuals Free
 - Personalized Recommendations

- Kenmore Repair Manuals Free User Reviews and Ratings
- Kenmore Repair Manuals Free and Bestseller Lists
- 5. Accessing Kenmore Repair Manuals Free Free and Paid eBooks
 - Kenmore Repair Manuals Free Public Domain eBooks
 - Kenmore Repair Manuals Free eBook Subscription Services
 - Kenmore Repair Manuals Free Budget-Friendly Options
- 6. Navigating Kenmore Repair Manuals Free eBook Formats
 - ePub, PDF, MOBI, and More
 - Kenmore Repair Manuals Free Compatibility with Devices
 - Kenmore Repair Manuals Free Enhanced eBook Features
- 7. Enhancing Your Reading Experience
 - Adjustable Fonts and Text Sizes of Kenmore Repair Manuals Free
 - Highlighting and Note-Taking Kenmore Repair Manuals Free
 - Interactive Elements Kenmore Repair Manuals Free
- 8. Staying Engaged with Kenmore Repair Manuals Free
 - Joining Online Reading Communities
 - Participating in Virtual Book Clubs
 - Following Authors and Publishers Kenmore Repair Manuals Free
- 9. Balancing eBooks and Physical Books Kenmore Repair Manuals Free
 - Benefits of a Digital Library
 - Creating a Diverse Reading Collection Kenmore Repair Manuals Free
- 10. Overcoming Reading Challenges
 - Dealing with Digital Eye Strain
 - Minimizing Distractions
 - Managing Screen Time
- 11. Cultivating a Reading Routine Kenmore Repair Manuals Free
 - Setting Reading Goals Kenmore Repair Manuals Free
 - Carving Out Dedicated Reading Time
- 12. Sourcing Reliable Information of Kenmore Repair Manuals Free
 - Fact-Checking eBook Content of Kenmore Repair Manuals Free

- Distinguishing Credible Sources
- 13. Promoting Lifelong Learning
 - Utilizing eBooks for Skill Development
 - Exploring Educational eBooks
- 14. Embracing eBook Trends
 - Integration of Multimedia Elements
 - Interactive and Gamified eBooks

Kenmore Repair Manuals Free Introduction

Kenmore Repair Manuals Free Offers over 60,000 free eBooks, including many classics that are in the public domain. Open Library: Provides access to over 1 million free eBooks, including classic literature and contemporary works. Kenmore Repair Manuals Free Offers a vast collection of books, some of which are available for free as PDF downloads, particularly older books in the public domain. Kenmore Repair Manuals Free : This website hosts a vast collection of scientific articles, books, and textbooks. While it operates in a legal gray area due to copyright issues, its a popular resource for finding various publications. Internet Archive for Kenmore Repair Manuals Free : Has an extensive collection of digital content, including books, articles, videos, and more. It has a massive library of free downloadable books. Free-eBooks Kenmore Repair Manuals Free Offers a diverse range of free eBooks across various genres. Kenmore Repair Manuals Free Focuses mainly on educational books, textbooks, and business books. It offers free PDF downloads for educational purposes. Kenmore Repair Manuals Free Provides a large selection of free eBooks in different genres, which are available for download in various formats, including PDF. Finding specific Kenmore Repair Manuals Free, especially related to Kenmore Repair Manuals Free, might be challenging as theyre often artistic creations rather than practical blueprints. However, you can explore the following steps to search for or create your own Online Searches: Look for websites, forums, or blogs dedicated to Kenmore Repair Manuals Free, Sometimes enthusiasts share their designs or concepts in PDF format. Books and Magazines Some Kenmore Repair Manuals Free books or magazines might include. Look for these in online stores or libraries. Remember that while Kenmore Repair Manuals Free, sharing copyrighted material without permission is not legal. Always ensure youre either creating your own or obtaining them from legitimate sources that allow sharing and downloading. Library Check if your local library offers eBook lending services. Many libraries have digital catalogs where you can borrow Kenmore Repair Manuals Free eBooks for free, including popular titles. Online Retailers: Websites like Amazon, Google Books, or Apple Books often sell eBooks. Sometimes, authors or publishers offer promotions or free periods for certain books. Authors Website Occasionally, authors provide excerpts or short stories for free on their websites. While this might not be the Kenmore Repair

Manuals Free full book , it can give you a taste of the authors writing style.Subscription Services Platforms like Kindle Unlimited or Scribd offer subscription-based access to a wide range of Kenmore Repair Manuals Free eBooks, including some popular titles.

FAQs About Kenmore Repair Manuals Free Books

How do I know which eBook platform is the best for me? Finding the best eBook platform depends on your reading preferences and device compatibility. Research different platforms, read user reviews, and explore their features before making a choice. Are free eBooks of good quality? Yes, many reputable platforms offer high-quality free eBooks, including classics and public domain works. However, make sure to verify the source to ensure the eBook credibility. Can I read eBooks without an eReader? Absolutely! Most eBook platforms offer web-based readers or mobile apps that allow you to read eBooks on your computer, tablet, or smartphone. How do I avoid digital eye strain while reading eBooks? To prevent digital eye strain, take regular breaks, adjust the font size and background color, and ensure proper lighting while reading eBooks. What the advantage of interactive eBooks? Interactive eBooks incorporate multimedia elements, quizzes, and activities, enhancing the reader engagement and providing a more immersive learning experience. Kenmore Repair Manuals Free is one of the best book in our library for free trial. We provide copy of Kenmore Repair Manuals Free in digital format, so the resources that you find are reliable. There are also many Ebooks of related with Kenmore Repair Manuals Free. Where to download Kenmore Repair Manuals Free online for free? Are you looking for Kenmore Repair Manuals Free PDF? This is definitely going to save you time and cash in something you should think about.

Find Kenmore Repair Manuals Free :

irish cook book

[ingersoll rand city of industry](#)

~~insurance customer service resume~~

[invaders tv series](#)

internal medicine board exam 2022

[introduction old testament](#)

inspirational devotions for meetings

~~inquiry based lesson plan template~~

insurance card template

introduction for speech sample

~~industrial chiller diagram~~

~~introductory chemistry lab manual~~

inherit the wind pdf

is a cell membrane in a plant or animal cell

instrumentation & control engineering

Kenmore Repair Manuals Free :