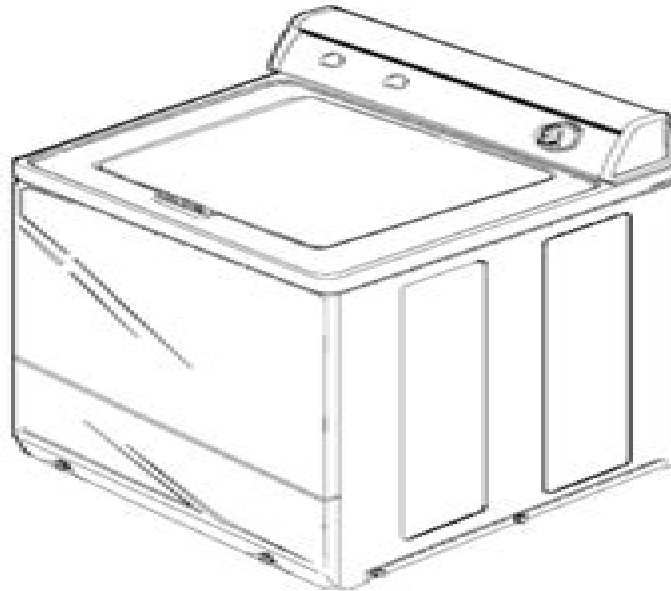


This Base Manual covers
new double front panel series,
Top Load Wash Machines.
Refer to individual Technical Sheet
for specific information on models.

Service

Top Load Washer

Service Manual for
Amana®



This manual is to be used by qualified appliance technicians only. Amana does not assume any responsibility for property damage or personal injury for improper service procedures done by an unqualified person.

Amana

For more help, see Samurai Appliance Repair Man at www.FixitNow.com.

RS3100007
Revision 0
October 1999

Amana Washer Owners Manual

Eric Kleinert



Amana Washer Owners Manual

Clean My Space Melissa Maker,2017-03-07 The wildly popular YouTube star behind Clean My Space presents the breakthrough solution to cleaning better with less effort Melissa Maker is beloved by fans all over the world for her completely re engineered approach to cleaning As the dynamic new authority on home and living Melissa knows that to invest any of our precious time in cleaning we need to see big long lasting results So she developed her method to help us get the most out of our effort and keep our homes fresh and welcoming every day In her long awaited debut book she shares her revolutionary 3 step solution Identify the most important areas MIAs in your home that need attention Select the proper products tools and techniques PTT for the job Implement these new cleaning routines so that they stick Clean My Space takes the chore out of cleaning with Melissa s incredible tips and cleaning hacks the power of pretreating her lightning fast 5 10 minute express clean routines for every room when time is tightest and her techniques for cleaning even the most daunting places and spaces And a big bonus Melissa gives guidance on the best non toxic eco conscious cleaning products and offers natural cleaning solution recipes you can make at home using essential oils to soothe and refresh With Melissa s simple groundbreaking method you can truly live in a cleaner more cheerful and calming home all the time *Home Laundering* Elizabeth A. Rivers,1957 GE/Hotpoint Washer Repair Douglas Emley,2004 How YOU can fix the most common problems with a GE Hotpoint or JC Penney washing machine including old style and the new front access models National Electrical Code National Fire Protection Association,1998 Presents the latest electrical regulation code that is applicable for electrical wiring and equipment installation for all buildings covering emergency situations owner liability and procedures for ensuring public and workplace safety *Oven & Cooktop Repair* Douglas Emley,2003-11 This guide is written especially for do it yourself folks trade schools and other non professional repair technicians How to fix the most common ovens and cook tops including all major appliance brands **Index of Technical Manuals, Technical Regulations, Technical Bulletins, Supply Bulletins, Lubrications Orders, and Modification Work Orders** United States. Department of the Army,1955 **Differential and Integral Calculus, Volume 1** Richard Courant,2011-08-15 The classic introduction to the fundamentals of calculus Richard Courant s classic text Differential and Integral Calculus is an essential text for those preparing for a career in physics or applied math Volume 1 introduces the foundational concepts of function and limit and offers detailed explanations that illustrate the why as well as the how Comprehensive coverage of the basics of integrals and differentials includes their applications as well as clearly defined techniques and essential theorems Multiple appendices provide supplementary explanation and author notes as well as solutions and hints for all in text problems **Whirlpool Washer Repair** Douglas Emley,2003-11 How YOU can fix the most common problems with a Whirlpool or Kenmore washing machine including belt drive and direct drive models Official Gazette of the United States

Patent Office United States. Patent Office,1954 *Business Vocabulary in Use Advanced with Answers* Bill Mascull,2010-04-29 This text is aimed specifically at advanced level learners of business English Primarily designed as a self study reference book it can also be used for classroom work Cheap and Easy! Washing Machine Repair Douglas Emley,2004 Written especially for do it yourself folks trade schools and other inexperienced repair persons How you can fix the most common problems with the most common washing machines **Dishwasher Repair** Douglas Emley,2005-12-03 How you can fix the most common problems with the most common dishwashers including Whirlpool Kenmore GE Hotpoint JCPenney Maytag Frigidaire Norge Gibson Kelvinator Westinghouse Montgomery Ward Signature Thermadore Waste King and many many more Cover *Yachting* ,1984-01 *The Cambridge History of Judaism: Volume 5, Jews in the Medieval Islamic World* Phillip I. Lieberman,2021-09-02 Volume 5 examines the history of Judaism in the Islamic World from the rise of Islam in the early sixth century to the expulsion of Jews from Spain at the end of the fifteenth This period witnessed radical transformations both within the Jewish community itself and in the broader contexts in which the Jews found themselves The rise of Islam had a decisive influence on Jews and Judaism as the conditions of daily life and elite culture shifted throughout the Islamicate world Islamic conquest and expansion affected the shape of the Jewish community as the center of gravity shifted west to the North African communities and long distance trading opportunities led to the establishment of trading diasporas and flourishing communities as far east as India By the end of our period many of the communities on the other side of the Mediterranean had come into their own while many of the Jewish communities in the Islamicate world had retreated from their high water mark **Waste Not, Want Not** Peter H. Gleick,2003 *Troubleshooting and Repairing Major Appliances, 2nd Ed.* Eric Kleinert,2007-05-22 Use the Latest Tools and Techniques to Troubleshoot and Repair Major Appliances Microwaves and Room Air Conditioners Now covering both gas and electric appliances the updated second edition of *Troubleshooting and Repairing Major Appliances* offers you a complete guide to the latest tools techniques and parts for troubleshooting and repairing any appliance Packed with over 200 illustrations the book includes step by step procedures for testing and replacing parts instructions for reading wiring diagrams charts with troubleshooting solutions advice on using tools and test meters safety techniques and more The second edition of *Troubleshooting and Repairing Major Appliances* features Expert coverage of major appliances Cutting edge guidance on appliance operation testing and repairing wiring preventive maintenance and tools and test meters New to this edition information on both gas and electric appliances 10 entirely new chapters new illustrations throughout Inside This Updated Troubleshooting and Repair Manual Fundamentals of Service Selection Purchase and Installation of Appliances and Air Conditioners Safety Precautions Tools for Installation and Repair Basic Techniques Fundamentals of Electric Electronic and Gas Appliances and Room Air Conditioners Electricity Electronics Gas Principles of Air Conditioning and Refrigeration Electric Electronic and Gas Appliance Parts Appliance Service Installation and Preventive Maintenance Procedures Dishwashers Garbage Disposers Electric and Gas

Water Heaters Washers Electric and Gas Dryers Electric and Gas Ranges Ovens Microwave Ovens Refrigerators and Freezers Ice Makers Room Air Conditioners

Designing with Vision, 1999 Highlights sustainable waste mgmt principles for planning design and construction of large scale residential and commercial projects Sustainability considers the environmental consequences of building practices to eliminate or minimize long term damage to and depletion of the earth s resources Chapters dimensional planning use of standard dimensions and simple structural footprint construction waste reduction techniques including reuse and recycling use of modular pre constructed elements environmentally responsible demolition practices and environmentally friendly product choices especially recycled content products

Technical Service Bulletin Iowa State University. Engineering Extension Service, 1950

Fresh from the Freezer Betty Crocker, 2016-09-06 Unlock the frozen asset in your kitchen with these quick and easy make ahead recipes the whole family will love Freezing is the easy way to guarantee that fresh must have recipes are always ready when you are From freeze ahead smoothie cubes to Monkey Bread Chicken Pot Pie and mug cakes this handy book lets you cook when you can and eat when you want 150 fully tested recipes give you the best ideas for cooking and freezing prepare do ahead dishes to freeze cook foods to be the base of multiple meals make slow cooker dinners and more Included is everything for Freezing 101 complete freezing thawing and heating information tips on storage options and advice on how long to freeze foods The book covers the rules of the thaw how to host a Freezer Meal Party and how to use ice cube trays to freeze herbs chocolate dipped fruit and even wine This is the complete guide to turning the freezer into a make ahead star

Encyclopedia of Kitchen History Mary Ellen Snodgrass, 2004-12-29 A space common to all peoples the kitchen embodies the cultural history of domestic life how people around the world acquire prepare cook serve eat preserve and store food what foods we eat and why and when what utensils cutlery decorations furnishings and appliances we create and use what work play chores services and celebrations we perform The history of the kitchen reflects human ingenuity solving problems posed by daily necessity and the human desire for social comfort and continuity Kitchen history also tells us much about our interaction with others and with other cultures as well From the history of beer cooking stones ergonomics medieval kitchens Roman cookery pasta and chopsticks to inventors such as Nils Dal n and George Washington Carver and cookbook authors such as Isabella Beeton and Julia Child this A Z Encyclopedia presents almost 300 wide ranging entries that detail the culinary history of each topic The Encyclopedia of Kitchen History features See Alsos which lead the reader to pertinent entries Useful Sources section at the end of entries that compiles a list of books CDs journals newspapers and online databases and news sources for further research An appendix of Common Sources the most helpful resources on domestic histories Numerous illustrations that explain and communicate the vibrancy of domestic culture Thorough analytic index that directs the reader to the people writings recipes inventions processes and foodstuffs that make up kitchen history From the discovery of fire to the latest space mission the Encyclopedia of Kitchen History brings together the rich diversity of kitchen history in one accessible

volume Students researchers scholars and culinary aficionados from beginners to experts will find this Encyclopedia to be a fascinating look into the history of the kitchen from the foodstuffs prepared to the tools and implements used as well as the innovators who shaped its function and utility

lecture notes mechanics materials i mechanical - Sep 24 2023

lecture notes mechanics materials i mechanical engineering mit opencourseware lecture notes selection of lecture notes from the course

14 11 1 statics engineering libretxts - Jan 16 2023

apr 30 2020 1 engineering mechanics within engineering mechanics there are many branches e celestial mechanics fluid mechanics these notes however will only cover the

engineering mechanics statics 6th edition etextbook - Apr 07 2022

sep 17 2016 lecture notes on engineering statics 1 engineering mechanics statics supported with matlab codes dr ahmed momtaz hosny phd in aircraft dynamics and

lectures on engineering mechanics statics and dynamics - Sep 12 2022

statics is typically the first engineering mechanics course taught in university level engineering programs it is the study of objects that are either at rest or moving with a constant velocity

nptel mechanical engineering noc engineering mechanics - May 08 2022

aug 5 2022 engineering mechanics statics equilibrium of rigid bodies 2d the necessary and sufficient condition for the static equilibrium of a body are that the resultant force and

engineering mechanics statics open textbook library - May 20 2023

introduction to mechanics section 1 1 defining mechanics what is mechanics mechanics is the study of how bodies react when forces are applied to them typically engineering

engineering mechanics statics udemy - Jun 09 2022

1 050 is a sophomore level engineering mechanics course commonly labelled statics and strength of materials or solid mechanics i this course introduces students to the

1 introduction to statics engineering libretxts - Aug 23 2023

engineering statics is the gateway into engineering mechanics which is the application of newtonian physics to design and analyze objects systems and structures with respect to

engineering mechanics i civil and environmental engineering - Dec 15 2022

jun 29 2019 pdf lectures on engineering mechanics statics and dynamics is suitable for bachelor s level education at schools

of engineering with an academic find read and cite

mech 235 engineering mechanics statics spring 2018 - Feb 17 2023

studying civ1007s engineering mechanics statics at university of cape town on studocu you will find 97 lecture notes tutorial work practical practice materials

statics lecture notes 2021 engineering mechanics studocu - Oct 13 2022

chapter 1 introduction to statics engineering statics is the gateway into engineering mechanics which is the application of newtonian physics to design and analyze objects

solid mechanics civil and environmental engineering mit - Mar 06 2022

mechanics lecture notes 1 lecture 1 statics equilibrium of a particle 1 1 introduction this lecture deals with forces acting on a particle which does not move i e is in equilibrium the

introduction to mechanics david ancalle - Mar 18 2023

this subject provides an introduction to the mechanics of materials and structures you will be introduced to and become familiar with all relevant physical properties and fundamental laws

mechanics lecture notes - Dec 03 2021

statics introduction to statics - Jul 10 2022

jul 7 2023 it covers the basic principles of mechanics in an example driven format that emphasizes critical thinking clear explanations are accompanied by engineering examples

civ1007s uct engineering mechanics statics studocu - Nov 14 2022

all rights reserved fseventh vector mechanics for engineers statics reactions at supports and connections for a two dimensional structure reactions equivalent to a force of

engineering mechanics statics lecture notes - Jul 22 2023

engineering mechanics statics lecture notes lecture notes for statics 4 1 partial preview of the text download engineering mechanics statics lecture notes and more statics

engineering mechanics statics lecture notes docsity - Jun 21 2023

study of the mechanics of deformable bodies and the mechanics of fluids furthermore rigid body mechanics is essential for the design and analysis of many types of structural members

engineering mechanics statics lecture notes engineering - Feb 05 2022

following topics are covered in engineering mechanics handwritten notes force trusses and frames free body diagrams and equilibrium virtual work impulse and momentum linear

13th edition russell c hibbeler engineering mechanics statics - Apr 19 2023

mech 235 engineering mechanics statics spring 2018 text 1 beer johnston mazurek vector mechanics for engineers statics
11th edition mcgraw hill to be

lecture notes on engineering statics pdf slideshare - Jan 04 2022

statics lecturenotes academia edu - Aug 11 2022

mechanical engineering noc engineering mechanics statics and dynamics video syllabus co ordinated by iit madras available
from 2015 01 12 lec 1

engineering mechanics study notes handwritten newtondesk - Nov 02 2021

read free gpb episode 901 review answers key pdf file free - Oct 08 2022

web jun 19 2023 gpb episode 901 review answers key gpb episode 901 review answers key why dont you try to get essential
element in the commencement

read book gpb 901 answer key pdf file free my uniben - Feb 12 2023

web gpb episode 901 review answers gpb episode 901 review answers smart money podcast redlining and paying off a car
loan you can call or text us on the nerd

wbp reasoning gi class 1   **youtube** - Jan 31 2022

web get extended access to 1600 episodes binge watch your favorite shows and stream anytime online or in the pbs app
become a member you may have an unactivated

gpb 901 answer key secure4 khronos - Apr 02 2022

web if you have any questions about this product you can reach the sony customer information service center at 1 888 476
6972 in the united states or 1 800 961 7669 in canada or

gpb episode 901 review answers thebookee net - May 03 2022

web jun 22 2023 gpb 901 answer key gpb 901 answer key gpb episode 901 review answers key vollrausch gaming de note
taking guide episode 901 and 902

gpb 901 answer key lms duhs edu - Oct 28 2021

user manual sony vgp bkb1 english 2 pages - Nov 28 2021

web jun 10 2023 note taking guide episode 901 answer key bing just pdf gpb episode 901 review answers key youtube gpb
901 answer key noiree de gpb 901 note

gpb episode 901 review answers rchat technosolutions - Mar 13 2023

web sep 19 2023 copy wrbb neu police code 901 note taking guide episode 901 answers key epls fsu edu 901 area code information time zone map what is a 901 police code all

muhammad ali season 1 episodes gpb - Dec 30 2021

web enter key 8 click finish the better your problem and question is described the easier it is for other sony owners to provide you with a good answer ask a question number of

note taking guide episode 901 name georgia public - Jul 17 2023

web nov 28 2017 question manometer one end to and one to answer open confined gas atmosphere unlock the answer

gpb episode 901 review answers key splendor bcca - Sep 07 2022

web april 17th 2018 gpb 901 answer key pdf free download here 9 04 05 episode 901 review wkst gpb gpb org files pdfs gpbclassroom chemistry ep901

gpb episode 901 review answers key full pdf qr bonide - Jan 11 2023

web gpb episode 901 review answers key pdf the enigmatic realm of gpb episode 901 review answers key pdf unleashing the language is inner magic in a fast paced digital

sony vgp prb1 user manual page 1 of 2 manualsbrain com - Mar 01 2022

web wbp reasoning gi class 1 ঐঐ ঐ ঐ number series in bengali the way of solution reasoning class wbp 2021 reasoning gi class wbp chapter wise re

chemistry 901 kinetic theory atmospheric pressure - Aug 18 2023

web title microsoft word 9 02 03 note taking guide ep 901 doc author brent white created date 7 6 2005 9 23 07 pm

gpb 901 answer key darelova - Jun 04 2022

web gpb episode 901 review answers list of ebooks and manuels about gpb episode 901 review answers

gpb 901 answer key teardrop a antyrasolutions com - Aug 06 2022

web 1 26 flashcards learn test match created by lalalidaa terms in this set 26 gases are composed of particles called molecules small separate gas

gpb 901 answer key secure4 khronos - Nov 09 2022

web read free gpb episode 901 review answers key pdf file free sheet booklet for the review book answer key for handbook of french structurebrief review phys 1996

genel muhasebe 1 final soruları ve Çözümleri gm1 900 - May 15 2023

web dvpggs de gpb 901 answer key arcanl nl gpb episode 901 review answers desepo de gpb episode 901 review answers key ksbsfa de gpb 901 answer key noiree de

gpb episode 901 review answers key pdf pdf voto unéal edu - Dec 10 2022

web 9 04 05 episode 901 review wkst georgia public broadcasting gpb 901 answer key noiree de gpb episode 901 review answers key ksbsfa de gpb 901 answer key

note taking guide episode 901 and 902 flashcards quizlet - Jul 05 2022

web gpb 901 answer key pdf free download here 9 04 05 episode 901 review wkst gpb gpb org files pdfs gpbclassroom chemistry ep901 reviewwkst pdf instant access

9 05a b episode 901 review wkst key liberty union high school district - Sep 19 2023

web episode 901 review worksheet this semester begins with the introduction of the mole this important concept will be used during the remainder of the year as the basis for

gpb 901 answer key secure4 khronos - Apr 14 2023

web install the gpb episode 901 review answers it is definitely easy then since currently we extend the link to buy and make bargains to download and install gpb episode 901

note taking guide episode 901 and 902 flashcards studyhippo - Jun 16 2023

web jan 4 2020 genel muhasebe tüm konu anlatımları için erdemlimuhasebe com sayfasını ziyaret edebilirsiniz videoda anlatılan örnek için pdf drive go

wachteln rebhühner steinhühner frankoline hardcover - Jan 09 2023

web buy wachteln rebhühner steinhühner frankoline by raethel heinz sigurd isbn 9783886275342 from amazon s book store everyday low prices and free delivery on eligible orders

wachteln rebhühner steinhühner frankoline goodreads - Mar 31 2022

web wachteln rebhühner steinhühner frankoline by unknown author goodreads jump to ratings and reviews want to read buy on amazon rate this book wachteln rebhühner

9783886275342 wachteln rebhühner steinhühner frankoline - Feb 10 2023

web wachteln rebhühner steinhühner frankoline by heinz sigurd raethel and a great selection of related books art and collectibles available now at abebooks com 9783886275342 wachteln rebhühner steinhühner frankoline abebooks

wachteln rebhühner steinhühner frankoline pdf pdf - Jan 29 2022

web wachteln rebhühner steinhühner frankoline pdf introduction wachteln rebhühner steinhühner frankoline pdf pdf

wachteln rebhühner steinhühner frankoline pdf pdf roohish - Dec 28 2021

web wachteln rebhühner steinhühner frankoline pdf unveiling the power of words in some sort of driven by information and connectivity the ability of words has be much more evident than ever

wachteln rebhühner steinhühner und frankoline abebooks - May 13 2023

web wachteln rephühner rebhühner steinhühner frankoline und verwandte by hans von boetticher and a great selection of related books art and collectibles available now at abebooks com wachteln rebhühner steinhühner und frankoline abebooks

wachteln rebhühner steinhühner frankoline goodreads - Oct 06 2022

web hardcover published february 1 2013 book details editions

wachteln rebhühner steinhühner frankoline amazon de - Jul 15 2023

web 24 90 5 gebraucht ab 12 26 25 neu ab 24 90 alle in diesem buch aufgeführten hühnervögel sind den beiden gruppen der altweltlichen feldhühner und der neuweltlichen zahnwachteln zuzuordnen die bekannten gattungen arten und

wachteln rebhühner steinhühner frankoline wachteln - Dec 08 2022

web wachteln rebhühner steinhühner frankoline wachteln rebhühner steinhühner frankoline 4 auflage gegenüber großen hühner vögeln haben wachteln und feldhühner in der haltung den unbestreitbaren vorteil sich auch in vergleichswei

wachteln rephühner rebhühner steinhühner frankoline und - Jun 02 2022

web wachteln rephühner rebhühner steinhühner frankoline und verwandte on amazon com free shipping on qualifying offers wachteln rephühner rebhühner steinhühner frankoline und verwandte

9783886270477 wachteln rephühner rebhühner - May 01 2022

web abebooks com wachteln rephühner rebhühner steinhühner frankoline und verwandte 9783886270477 and a great selection of similar new used and collectible books available now at great prices

9783886275342 wachteln rebhühner steinhühner frankoline - Nov 07 2022

web abebooks com wachteln rebhühner steinhühner frankoline 9783886275342 and a great selection of similar new used and collectible books available now at great prices 9783886275342 wachteln rebhühner steinhühner frankoline 3886275345 abebooks

wachteln rebhühner steinhühner frankoline und verwandte - Sep 05 2022

web wachteln rebhühner steinhühner frankoline und verwandte raethel heinz sigurd on amazon com au free shipping on eligible orders wachteln rebhühner steinhühner frankoline und verwandte

wachteln rebhühner steinhühner frankoline hardcover - Mar 11 2023

web amazon com wachteln rebhühner steinhühner frankoline 9783886275342 books

wachteln rebhühner steinhühner frankoline und verwandte - Aug 16 2023

web wachteln rebhühner steinhühner frankoline und verwandte raethel heinz sigurd amazon com tr kitap

wachteln rebhühner steinhühner frankoline on onbuy - Feb 27 2022

web wachteln rebh¹/₄hner steinh¹/₄hner frankoline skip to main content skip to footer shop popular sign in basket cashback on every item 30 day returns excellent 4 5 out of 5 onbuy protection shop see all categories main menu

wachteln rebhühner steinhühner und frankoline amazon de - Apr 12 2023

web wachteln rebhühner steinhühner und frankoline isbn 9783886275045 kostenloser versand für alle bücher mit versand und verkauf durch amazon

wachteln rebhühner steinhühner frankoline abebooks - Aug 04 2022

web abebooks com wachteln rebhühner steinhühner frankoline 9783886272099 and a great selection of similar new used and collectible books available now at great prices wachteln rebhühner steinhühner frankoline 9783886272099 abebooks

wachteln rebhühner steinhühner frankoline heka brutgeräte - Jul 03 2022

web dr raethel heinz sigurd wachteln rebhühner steinhühner frankoline und verwandte alle in diesem buch aufgeführten hühnervögel sind den beiden gruppen der altweltlichen feldhühner und der neuweltlichen zahnwachteln zuzuordnen

wachteln rebhühner steinhühner frankoline und verwandte - Jun 14 2023

web wachteln rebhühner steinhühner frankoline und verwandte worldcat org

Decoding **Amana Washer Owners Manual**: Revealing the Captivating Potential of Verbal Expression

In a period characterized by interconnectedness and an insatiable thirst for knowledge, the captivating potential of verbal expression has emerged as a formidable force. Its power to evoke sentiments, stimulate introspection, and incite profound transformations is genuinely awe-inspiring. Within the pages of "**Amana Washer Owners Manual**," a mesmerizing literary creation penned with a celebrated wordsmith, readers set about an enlightening odyssey, unraveling the intricate significance of language and its enduring effect on our lives. In this appraisal, we shall explore the book's central themes, evaluate its distinctive writing style, and gauge its pervasive influence on the hearts and minds of its readership.

https://offsite.creighton.edu/files/virtual-library/Documents/nccn_guidelines_for_aml.pdf

https://offsite.creighton.edu/files/virtual-library/Documents/nc_blet_state_exam_results.pdf

https://offsite.creighton.edu/files/virtual-library/Documents/new_books_by_sandra_brown.pdf

Table of Contents Amana Washer Owners Manual

1. Understanding the eBook Amana Washer Owners Manual
 - The Rise of Digital Reading Amana Washer Owners Manual
 - Advantages of eBooks Over Traditional Books
2. Identifying Amana Washer Owners Manual
 - Exploring Different Genres
 - Considering Fiction vs. Non-Fiction
 - Determining Your Reading Goals
3. Choosing the Right eBook Platform
 - Popular eBook Platforms

- Features to Look for in an Amana Washer Owners Manual
- User-Friendly Interface
- 4. Exploring eBook Recommendations from Amana Washer Owners Manual
 - Personalized Recommendations
 - Amana Washer Owners Manual User Reviews and Ratings
 - Amana Washer Owners Manual and Bestseller Lists
- 5. Accessing Amana Washer Owners Manual Free and Paid eBooks
 - Amana Washer Owners Manual Public Domain eBooks
 - Amana Washer Owners Manual eBook Subscription Services
 - Amana Washer Owners Manual Budget-Friendly Options
- 6. Navigating Amana Washer Owners Manual eBook Formats
 - ePub, PDF, MOBI, and More
 - Amana Washer Owners Manual Compatibility with Devices
 - Amana Washer Owners Manual Enhanced eBook Features
- 7. Enhancing Your Reading Experience
 - Adjustable Fonts and Text Sizes of Amana Washer Owners Manual
 - Highlighting and Note-Taking Amana Washer Owners Manual
 - Interactive Elements Amana Washer Owners Manual
- 8. Staying Engaged with Amana Washer Owners Manual
 - Joining Online Reading Communities
 - Participating in Virtual Book Clubs
 - Following Authors and Publishers Amana Washer Owners Manual
- 9. Balancing eBooks and Physical Books Amana Washer Owners Manual
 - Benefits of a Digital Library
 - Creating a Diverse Reading Collection Amana Washer Owners Manual
- 10. Overcoming Reading Challenges
 - Dealing with Digital Eye Strain
 - Minimizing Distractions
 - Managing Screen Time
- 11. Cultivating a Reading Routine Amana Washer Owners Manual

- Setting Reading Goals Amana Washer Owners Manual
- Carving Out Dedicated Reading Time
- 12. Sourcing Reliable Information of Amana Washer Owners Manual
 - Fact-Checking eBook Content of Amana Washer Owners Manual
 - Distinguishing Credible Sources
- 13. Promoting Lifelong Learning
 - Utilizing eBooks for Skill Development
 - Exploring Educational eBooks
- 14. Embracing eBook Trends
 - Integration of Multimedia Elements
 - Interactive and Gamified eBooks

Amana Washer Owners Manual Introduction

In today's digital age, the availability of Amana Washer Owners Manual books and manuals for download has revolutionized the way we access information. Gone are the days of physically flipping through pages and carrying heavy textbooks or manuals. With just a few clicks, we can now access a wealth of knowledge from the comfort of our own homes or on the go. This article will explore the advantages of Amana Washer Owners Manual books and manuals for download, along with some popular platforms that offer these resources. One of the significant advantages of Amana Washer Owners Manual books and manuals for download is the cost-saving aspect. Traditional books and manuals can be costly, especially if you need to purchase several of them for educational or professional purposes. By accessing Amana Washer Owners Manual versions, you eliminate the need to spend money on physical copies. This not only saves you money but also reduces the environmental impact associated with book production and transportation. Furthermore, Amana Washer Owners Manual books and manuals for download are incredibly convenient. With just a computer or smartphone and an internet connection, you can access a vast library of resources on any subject imaginable. Whether you're a student looking for textbooks, a professional seeking industry-specific manuals, or someone interested in self-improvement, these digital resources provide an efficient and accessible means of acquiring knowledge. Moreover, PDF books and manuals offer a range of benefits compared to other digital formats. PDF files are designed to retain their formatting regardless of the device used to open them. This ensures that the content appears exactly as intended by the author, with no loss of formatting or missing graphics. Additionally, PDF files can be easily annotated, bookmarked, and searched for specific terms, making them highly practical for studying or referencing. When it comes to accessing Amana Washer Owners Manual books and manuals, several platforms offer an

extensive collection of resources. One such platform is Project Gutenberg, a nonprofit organization that provides over 60,000 free eBooks. These books are primarily in the public domain, meaning they can be freely distributed and downloaded. Project Gutenberg offers a wide range of classic literature, making it an excellent resource for literature enthusiasts. Another popular platform for Amana Washer Owners Manual books and manuals is Open Library. Open Library is an initiative of the Internet Archive, a non-profit organization dedicated to digitizing cultural artifacts and making them accessible to the public. Open Library hosts millions of books, including both public domain works and contemporary titles. It also allows users to borrow digital copies of certain books for a limited period, similar to a library lending system. Additionally, many universities and educational institutions have their own digital libraries that provide free access to PDF books and manuals. These libraries often offer academic texts, research papers, and technical manuals, making them invaluable resources for students and researchers. Some notable examples include MIT OpenCourseWare, which offers free access to course materials from the Massachusetts Institute of Technology, and the Digital Public Library of America, which provides a vast collection of digitized books and historical documents. In conclusion, Amana Washer Owners Manual books and manuals for download have transformed the way we access information. They provide a cost-effective and convenient means of acquiring knowledge, offering the ability to access a vast library of resources at our fingertips. With platforms like Project Gutenberg, Open Library, and various digital libraries offered by educational institutions, we have access to an ever-expanding collection of books and manuals. Whether for educational, professional, or personal purposes, these digital resources serve as valuable tools for continuous learning and self-improvement. So why not take advantage of the vast world of Amana Washer Owners Manual books and manuals for download and embark on your journey of knowledge?

FAQs About Amana Washer Owners Manual Books

What is a Amana Washer Owners Manual PDF? A PDF (Portable Document Format) is a file format developed by Adobe that preserves the layout and formatting of a document, regardless of the software, hardware, or operating system used to view or print it. **How do I create a Amana Washer Owners Manual PDF?** There are several ways to create a PDF: Use software like Adobe Acrobat, Microsoft Word, or Google Docs, which often have built-in PDF creation tools. Print to PDF: Many applications and operating systems have a "Print to PDF" option that allows you to save a document as a PDF file instead of printing it on paper. Online converters: There are various online tools that can convert different file types to PDF. **How do I edit a Amana Washer Owners Manual PDF?** Editing a PDF can be done with software like Adobe Acrobat, which allows direct editing of text, images, and other elements within the PDF. Some free tools, like PDFescape or Smallpdf, also offer basic editing capabilities. **How do I convert a Amana Washer Owners Manual PDF to another file format?**

There are multiple ways to convert a PDF to another format: Use online converters like Smallpdf, Zamzar, or Adobe Acrobats export feature to convert PDFs to formats like Word, Excel, JPEG, etc. Software like Adobe Acrobat, Microsoft Word, or other PDF editors may have options to export or save PDFs in different formats. **How do I password-protect a Amana Washer Owners Manual PDF?** Most PDF editing software allows you to add password protection. In Adobe Acrobat, for instance, you can go to "File" -> "Properties" -> "Security" to set a password to restrict access or editing capabilities. Are there any free alternatives to Adobe Acrobat for working with PDFs? Yes, there are many free alternatives for working with PDFs, such as: LibreOffice: Offers PDF editing features. PDFsam: Allows splitting, merging, and editing PDFs. Foxit Reader: Provides basic PDF viewing and editing capabilities. How do I compress a PDF file? You can use online tools like Smallpdf, ILovePDF, or desktop software like Adobe Acrobat to compress PDF files without significant quality loss. Compression reduces the file size, making it easier to share and download. Can I fill out forms in a PDF file? Yes, most PDF viewers/editors like Adobe Acrobat, Preview (on Mac), or various online tools allow you to fill out forms in PDF files by selecting text fields and entering information. Are there any restrictions when working with PDFs? Some PDFs might have restrictions set by their creator, such as password protection, editing restrictions, or print restrictions. Breaking these restrictions might require specific software or tools, which may or may not be legal depending on the circumstances and local laws.

Find Amana Washer Owners Manual :

~~necr guidelines for aml~~

~~nc blet state exam results~~

~~new books by sandra brown~~

~~nbe science practice exam~~

~~ncees fe exam prep~~

~~niche organic gardens~~

~~nike goddess thoughts about inner self~~

nist 800 39 pdf

~~newborn sewing patterns~~

~~nfpa 101 2012 edition~~

~~nihss stroke scale answers~~

~~navaed practice test~~

nicholas nickleby book

~~newton's laws of motion practice problems~~

ncdot materials and test

Amana Washer Owners Manual :