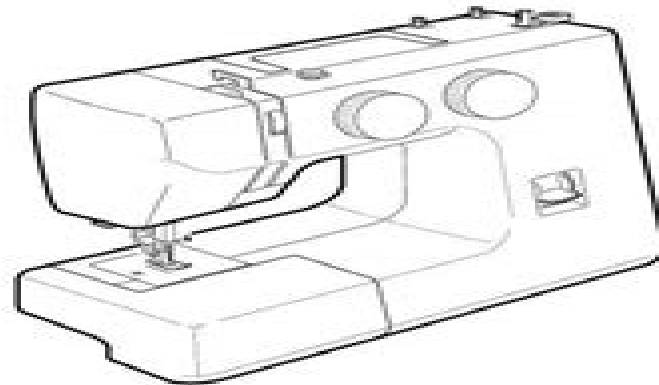


# ***SERVICE MANUAL***



**SEWING MACHINE MODEL  
385. 15358  
SEPTEMBER, 2006**

# **Kenmore 15358 Sewing Machine Manual**

**Michael Rajnik**



# Kenmore 15358 Sewing Machine Manual

**Sears Kenmore Instructions** Sears, Roebuck and Company,1975    The Sewing Machine Manual WENDY. GARDINER,2023-07-13    **Sewing Machine Service Manual** L. ROBINSON,1958    *Manual of Family Sewing Machines* Singer Sewing Machine Company,1914    *Dykes Sewing Machine Service Manual* Ottis Dykes,1978    *A Manual of Family Sewing Machines* Singer Sewing Machine Company,1923    The Australian Official Journal of Trademarks ,1906  
Catalog of Copyright Entries. Third Series Library of Congress. Copyright Office,1975    **Embroidery Pocket Guide** Leisure Arts,2010-07 Embroidery Pocket Guide Leisure Arts 56019 is the handiest reference guide for embroiders ever a laminated pocket size encyclopedia of the most popular stitches and much more Approximately 8 5 inches tall by 4 625 inches wide the guide folds out accordion style with information on supplies and stitching tips plus illustrated stitch guides Featured stitches are backstitches blanket stitches chain stitches couching stitches cross stitches featherstitches filling stitches running stitches satin stitches and weaving stitches A ruler is printed along the edge for convenience    *The Annenbergs* John E. Cooney,1982 This is the colorful and dramatic biography of two of America s most controversial entrepreneurs Moses Louis Annenberg the racing wire king who built his fortune in racketeering invested it in publishing and lost much of it in the biggest tax evasion case in United States history and his son Walter launcher of TV Guide and Seventeen magazines and former ambassador to Great Britain Jacket    2020 Beaches ,2019-03    *The Queens of England* Agnes Strickland,2022-01-04 This book is a great introduction into the history of the British Empire and women who helped to shape it The book starts with the very first queen in the history of Great Britain Matilda of Flanders the wife of William the conqueror and goes through all the history mentioning Berengaria of Navarre the queen of the legendary king Ricard I and all the wives of Henry VIII among the others The book is aimed at young adults and is written in a simple understandable and somewhat na ve manner characteristic of the Victorian era books for young ladies Yet the light and relaxing tone of the book will make it interesting for adults seeking for an entertaining read with educational value It contains a lot of captivating moments too For example the very first story of the book tells that to win heart of her future queen William the Conqueror rolled her in mud and beat her    **Conditional Sale, Chattel Mortgage Service** Commerce Clearing House,1968  
**What's in the Magazines** ,1907    **The School-mistress** William Shenstone,1924    **A Week in New York** Margaret Culkin Banning,1882    **Meeting with a Great Beast** Leonard Wibberley,1971    **A Piece of the Sky is Missing** David Nobbs,2011-04-15 David Nobbs classic is now available as an ebook    War Law Service, in Five Volumes ... Commerce Clearing House,1941

[authorization letter format with sample word excel templates](#) - Jun 29 2023

web apr 6 2021 this letter is used to authorize a particular person to perform several types of tasks the letter targets a single person to perform those tasks the most common use of the authorization letter is in the scenario when you want someone to use your bank account and you know that the bank will not allow anyone due to security issues

**authorization letter excel funding 2023 domainlookup org** - Dec 24 2022

web apr 4 2023 getting this info get the authorization letter excel funding associate that we find the money for here and check out the link you could buy guide authorization letter excel funding or get it as soon as feasible you could speedily download this authorization letter excel funding after getting deal

[authorization letter excel funding uniport edu ng](#) - Apr 15 2022

web may 6 2023 authorization letter excel funding 2 5 downloaded from uniport edu ng on may 6 2023 by guest qualitative and quantitative research are included so as to provide the student with tools to conduct their own research and evaluate current research data a section on writing questionnaires and surveys helps students construct reliable

**authorization letter excel funding 2023 election** - Aug 20 2022

web introduction authorization letter excel funding pdf funding public schools in the united states and indian country report of the committee to the subscribers to the fund for printing and publishing the documentary evidence relative to the intercourse of the colonists and cape government with the native tribes school social

**authorization letter excel funding wp publish com** - Oct 22 2022

web authorization letter excel funding a literary masterpiece penned by way of a renowned author readers attempt a transformative journey unlocking the secrets and untapped potential embedded within each word in this evaluation we shall explore the book is core themes assess its distinct writing

**authorization letter excel funding api digital capito eu** - Sep 20 2022

web 2 authorization letter excel funding 2022 06 05 local governmental development of the philippines proposition 39 california clean energy jobs act 2013 energy expenditure plan handbook revised cengage learning a collected set of congressional documents of the 11th to the 55th congress messages of the presidents of the united states

[authorization letter excel funding budi parisbytrain com](#) - Jul 19 2022

web authorization letter excel funding may 9th 2018 true 01 24 2014 10001021 acknowl of receipt of gfe and til act disclosures collection of fees application disclosures true research wikipedia may 8th 2018 research comprises creative and systematic work undertaken to increase the stock of knowledge including knowledge of humans culture

[authorization letter excel funding](#) - May 29 2023

web 4 authorization letter excel funding 2023 03 04 uzbekistan authorities for technical assistance ta on external sector

statistics ess and with the support of the middle east and central asia department mcd of the international monetary fund imf a mission from the imf statistics department sta visited tashkent from november 20 through

**39 free authorization letter templates word pdf** - Apr 27 2023

web nov 30 2021 there are basically three parties involved in the authorization letter first party the first party indicates in the letter is the rightful owner second party the second party is the institution or organization like bank third party the third party is the person who is acting as the proxy download template 12 kb download template 12 kb

**authorization letter excel funding avvu com tr** - Nov 22 2022

web jun 5 2023 authorization letter excel funding florida department of education how to write an investor proposal letter with sample letter letter there is 4726 records purchrfqlinemap request for quotation lines 4 bankgroup expert grants 21st century community learning centers 21st cclc grant p the u s environmental protection

authorization letter excel funding reports budgetbakers com - Feb 23 2023

web authorization letter excel funding 3 3 step by step procedures and examples are used throughout to guide the student through the process of selecting a topic reviewing literature designing research protocols selecting outcome measures implementing research and writing the results descriptive and inferential statistics are explained in a

authorization letter excel funding full pdf - Sep 01 2023

web authorization letter excel funding federally funded research mar 12 2021 preparation submission and execution of the budget jan 22 2022 excel 2013 the missing manual sep 17 2021 the world s most popular spreadsheet program is now more powerful than ever but it s also more complex that s where this missing manual comes

**authorization letter excel funding** - Jun 17 2022

web authorization letter excel funding the enigmatic realm of authorization letter excel funding unleashing the language is inner magic in a fast paced digital era where connections and knowledge intertwine the enigmatic realm of language reveals its inherent magic its capacity to stir emotions ignite contemplation and catalyze

**authorization letter excel funding uniport edu ng** - May 17 2022

web jun 12 2023 authorization letter excel funding 1 4 downloaded from uniport edu ng on june 12 2023 by guest

authorization letter excel funding getting the books authorization letter excel funding now is not type of challenging means you could not by yourself going past book amassing or library or borrowing from your links to way in them

**46 authorization letter samples templates** □ **templatelab** - Jul 31 2023

web step 4 write the salutation after completing the letter head now comes the time to write the body of the authorization letter you should write the salutation using appropriate titles such as mr mrs ms and dr you should not use their first names also the salutation should open with either to or dear

*authorization letter excel funding wp publish com* - Mar 27 2023

web within the pages of authorization letter excel funding an enthralling opus penned by a highly acclaimed wordsmith readers embark on an immersive expedition to unravel the intricate significance of language and its indelible imprint on our lives throughout this assessment we shall delve into the book is central motifs appraise its

authorization letter excel funding uniport edu ng - Feb 11 2022

web aug 9 2023 authorization letter excel funding 1 4 downloaded from uniport edu ng on august 9 2023 by guest

authorization letter excel funding right here we have countless book authorization letter excel funding and collections to check out we additionally come up with the money for variant types and also type of the books to browse

**authorization letter excel funding secure4 khronos** - Jan 25 2023

web jun 11 2023 and set up authorization letter excel funding therefore basic authorization letter excel funding is accessible in our book assemblage an online access to it is set as public so you can get it swiftly

**authorization letter template word excel templates** - Oct 02 2023

web jan 16 2019 1 authorization letter for bank this letter is to authorize mr john id 00110 12 12345 resident of greenwich town london to access my bank account on my behalf my current account number is 123456 i need to travel most of the time out of town and because of which there is problem of payment in my office

**authorization letter excel funding darelova** - Mar 15 2022

web may 24 2023 authorization letter excel funding true 01 24 2014 10001021 acknowl of receipt of gfe and til act disclosures collection of fees application disclosures true hungry for change we offer equitable and transparent salaries training world class benefits and a shared purpose to see progress in the world research comprises

**analisa harga satuan pekerjaan pasangan dinding bata merah** - May 18 2022

web aug 8 2023 berikut ini rumahmaterial com akan menyajikan analisa harga satuan pasangan dinding bata merah untuk masing masing adukan spesi yang umum digunakan sebagai catatan harga satuan bahan dan upah merupakan harga asumsi untuk upah harga bisa bervariasi tergantung dari lokasi pekerjaan pengalaman dan keterampilan

perbandingan estimasi biaya pekerjaan dinding - Jun 18 2022

web 5 2 perhitungan biaya pekerjaan dinding dari analisa harga satuan pekerjaan dinding dan plester didapat perhitungan biaya pekerjaan yang didapat dari volume dikalikan dengan harga satuan pekerjaan tersebut tabel 3 rekapitulasi perhitungan pekerjaan dinding no jenis material total biaya pekerjaan dinding 1 bata merah rp 430 990 824 00

**analisis perbandingan metode pelaksanaan pada pekerjaan pasangan** - Aug 21 2022

web may 30 2022 waktu pelaksanaan dinding batako selama 16 hari dan dinding bata ringan 73 hari sedangkan besarnya biaya pekerjaan dinding batako adalah rp 350 859 024 72 dan bata ringan rp 438 950 580 40

**menghitung kebutuhan semen dan pasir pada pasangan batako** - Jul 20 2022

web cara menghitung kebutuhan semen dan pasir pada pasangan batako dengan campuran 1 pc 6 pp batako yang digunakan adalah yang memiliki ukuran 10 x 20 x 40 cm dalam mengerjakan dinding seluas 1 m<sup>2</sup> yang sesuai dengan kebutuhan lapangan maka material semen pc yang dibutuhkan adalah 1 74 kg serta pasir pp 0 0086 m<sup>3</sup>

**2 cara menghitung biaya pemasangan batako 2023** - Jun 30 2023

web luas tembok 44 8 2 3 0 96 41 54 m<sup>2</sup> setelah mendapatkan total volume pekerjaannya maka cara menghitung biaya pemasangan batako selanjutnya yaitu mengalikan luas tembok dengan harga per meter persegi di atas biaya pasang batako luas tembok x harga per meter biaya pasang batako 41 54 m<sup>2</sup> x rp 106 497 rp

**sni 6897 2008 pekerjaan dinding pdf scribd** - Mar 28 2023

web ini adalah analisa harga satuan untuk pekerjaan pemasangan dinding hasil revisi dari sni 2002

**analisis perbandingan biaya dan waktu pemasangan dinding** - Jan 26 2023

web bahwa analisa harga satuan pekerjaan dinding menggunakan bata merah yaitu rp 59 502 00 dengan waktu pemasangan dinding per m<sup>2</sup> 00 28 42 menit plesteran 00 27 40 menit dan pemasangan untuk teras 00 26 25 menit sedangkan untuk batako rp 65 764 00 dengan waktu pemasangan dinding per m<sup>2</sup> pemasangan untuk teras 00 20 23

**analisa perhitungan biaya pemasangan batako sni per meter** - Aug 01 2023

web biaya pasang batako 41 54 m<sup>2</sup> x rp 106 497 rp 4 423 885 cara menghitung biaya pemasangan tembok batako arsitur

**analisis perbandingan biaya dan waktu pekerjaan dinding** - Dec 25 2022

web pada saat proses pemasangan dinding dan mempercepat pelaksanaan ukuran batako standar menurut sni 03 0349 1989 adalah sebagai berikut tabel 3 3 tabel 3 3 ukuran batako standar kelebihan dinding batako press dibandingkan dengan batu bata pembuatan mudah dan ukuran dapat dibuat sama ukuran yang besar membuat waktu

**analisa perhitungan biaya pemasangan batako sni per meter** - Oct 03 2023

web dec 16 2021 total dari biaya yang dikeluarkan untuk pemasangan batako per meter yaitu jumlah dari total biaya material dan jenis pekerja sebesar rp64 897 rp41 600 rp106 497

**analisa pasangan batu bata merah untuk pekerjaan dinding** - Oct 23 2022

web dec 16 2021 berikut ini merupakan contoh daftar analisa harga satuan memasang 1 m<sup>2</sup> dinding bata merah dengan ketebalan ½ bata pasangan ketebalan ½ bata campuran spesi 1pc 2pp pasangan ketebalan ½ bata campuran spesi 1pc 3pp pasangan ketebalan ½ bata campuran spesi 1pc 4pp pasangan ketebalan ½ bata campuran

**cara mudah menghitung jumlah kebutuhan material batako** - Mar 16 2022

web nov 1 2022 kebutuhan material batako dipasang rebah 1 m<sup>2</sup> 0 0361 m<sup>2</sup> 27 70 buah dibulatkan menjadi 28 buah m<sup>2</sup> pasangan batako secara tegak maka luas penampang untuk 1 batako ditambah tebal adukan spesi adalah 0 17 0 02 x 0 36 0

02 0 0722 m2 kebutuhan material batako dipasang tegak 1 m2 0 0722 m2 13 85 buah

*cara menghitung biaya pemasangan tembok bata arsitur studio - May 30 2023*

web sep 3 2019 biaya tembok 41 54 m2 x rp 196 499 60 m2 biaya tembok 8 162 593 38 atau dibulatkan menjadi rp 8 200 000 00 termasuk biaya air dan lain lain perlu diketahui bahwa biasa pemasangan tembok bata lebih besar daripada batako namun dari segi ketahanan tembok bata lebih kuat dan tahan lama

**jumlah kebutuhan batako untuk dinding rumah harga satuan - Sep 21 2022**

web nov 5 2012 dinding batako bisa menjadi alternatif untuk membuat rumah tembok jenis material batu buatan ini banyak digunakan karena kecepatan dalam waktu pemasangan serta dapat lebih menghemat penggunaan adukan jika dibanding pemasangan dinding batu bata disini kita akan coba menguraikan cara menghitung jumlah kebutuhan batako

**analisa harga satuan pekerjaan dinding konstruksi sipil - Apr 28 2023**

web jun 6 2021 analisa harga satuan pekerjaan dinding june 06 2021 post a comment no uraian satuan koef harga satuan rp sub jumlah rp jumlah rp pekerjaan dinding 1 1 m<sup>2</sup> pasangan dinding bata merah kelas 1 uk 5x11x22 cm tebal 1 bata campuran spesi 1pc 2pp bahan bata merah kelas1 pc pp

*cara menghitung biaya pemasangan tembok batako arsitur - Sep 02 2023*

web jun 9 2020 biaya tembok luas tembok x harga per meter biaya tembok 41 54 m2 x rp 117 146 70 m2 biaya tembok 4 866 273 92 atau dibulatkan menjadi rp 4 900 000 00 termasuk biaya air dan lain lain demikianlah mengenai cara menghitung biaya pasangan tembok batako semoga bermanfaat dan dapat menambah wawasan

**biaya dan durasi pemasangan dinding batako pada rumah tipe - Feb 24 2023**

web jun 1 2018 tabel 6 ahsp pemasangan 1m conblock hb 10 campu no uraian satuan koefisien harga satuan biaya a tenaga 1 pekerja oh 0 3 rp 50 00 0 rp 1 4 61 900 2 tukang batu oh 0 1 rp 65 000 rp 633 490 3

analisa harga satuan pekerjaan pasangan dinding - Apr 16 2022

web nov 25 2022 berikut adalah analisa harga satuan pekerjaan pasangan dinding koefisien upah dan bahan material sudah sesuai standard sni harga satuan upah dan bahan menyesuaikan lokasi kerja proyek a 4 4 1 1 pemasangan 1m2 dinding bata merah 5x11x22 cm tebal 1 batu campuran 1sp 2pp a 4 4 1 2

**analisa harga satuan pasangan dinding batako download only - Nov 23 2022**

web analisa harga satuan pasangan dinding batako panduan membangun rumah desain analisis harga rencana anggaran biaya may 08 2020 dari tanah jadi rumah jun 01 2022 membangun rumah idaman adalah impian setiap orang analisa harga satuan pekerjaan ahsp bidang umum may 12 2023

**xls rab pagar batako puguh gunadi academia edu - Feb 12 2022**

web satuan pasir pasang m<sup>3</sup> 0 520 203 000 00 pekerja org 1 500 tukang batu org 0 750 kepala tukang org 0 075 mandor org



0 075 total harga 8 1 m<sup>2</sup> pasangan dinding batako batu bata bh 25 000 2 500 00 semen pc zak 0 230 85 000 00 pasir pasang m<sup>3</sup> 0 043 203 000 00 pekerja org 0 300 tukang org 0 100 kepala tukang org 0 010

[amazon it crescere con il canto 1](#) - Apr 28 2023

web crescere con il canto con file audio in streaming vol 1 di maurizio spaccazocchi 3 copertina flessibile 27 17 consigl 28 60 consegna gratuita gio 20 apr oppure consegna più rapida domani 18 apr disponibilità solo 8 crescere con il canto con 2 cd audio vol 1 di maurizio spaccazocchi 38 copertina flessibile 27 17 consigl 28 60

*crescere con il canto con 2 cd audio 1 mondadori store* - Jun 30 2023

web acquista online il libro crescere con il canto con 2 cd audio 1 di maurizio spaccazocchi in offerta a prezzi imbattibili su mondadori store

[crescere con il canto con 2 cd audio vol 1 libreria ibs](#) - Aug 01 2023

web crescere con il canto con 2 cd audio vol 1 è un libro di maurizio spaccazocchi pubblicato da progetti sonori acquista su ibs a 28 60

**crescere con il canto con 2 cd audio vol 1 amazon it** - Sep 02 2023

web crescere con il canto con 2 cd audio vol 1 spaccazocchi maurizio amazon it libri libri adolescenti e ragazzi arte musica e fotografia visualizza tutte le 2 immagini crescere con il canto con 2 cd audio vol 1 copertina flessibile audiolibro 9 maggio 2003 di maurizio spaccazocchi autore 38 voti

[crescere canto audio vol abebooks](#) - Jul 20 2022

web crescere con il canto con 2 cd audio vol 1 and a great selection of related books art and collectibles available now at abebooks com

*crescere con il canto con 2 cd audio vol 1 tapa blanda* - Mar 28 2023

web crescere con il canto con 2 cd audio vol 1 spaccazocchi maurizio amazon es libros

*crescere con il canto con 2 cd audio vol 1 lafeltrinelli* - May 30 2023

web crescere con il canto con 2 cd audio vol 1 è un libro di maurizio spaccazocchi pubblicato da progetti sonori acquista su lafeltrinelli a 28 60

*crescere con il canto con 2 cd audio vol 2 abebooks italy it* - Feb 12 2022

web infatti se crescere con il canto 1 dal parlato giungeva attraverso selezionati percorsi propedeutici al canto degli intervalli e degli ambiti di sesta crescere con il canto 2 continua l'evoluzione partendo dagli intervalli e ambiti di settima per passare all'ambito d'ottava e oltre l'ottava ed continua a leggere descrizione libreria

*crescere con il canto 1 musicbrainz the open music* - Jan 26 2023

web crescere con il canto 1 release by maurizio spaccazocchi see all versions of this release 1 available overview disc ids 1

cover art 0 aliases tags details edit

**crescere con il canto con 2 cd audio vol 2 libreria universitaria** - Apr 16 2022

web con 2 cd audio vol 2 acquistano anche crescere con il canto con 2 cd audio vol 1 di maurizio spaccazocchi 27 17 54 34  
acquistali insieme potrebbero piacerti anche crescere con il canto con cd audio vol 4 di maurizio spaccazocchi 27 17 28 60 in  
movimento proposte musicali per l'espressione gesto moto

**crescere con il canto con 2 cd audio 3 kağıt kapak** - Oct 03 2023

web arama yapmak istediğiniz kategoriye seçin

**crescere con il canto con file audio in streaming vol 1** - Mar 16 2022

web crescere con il canto con file audio in streaming vol 1 è un libro di maurizio spaccazocchi pubblicato da progetti sonori  
acquista su ibs a 32 89

*crescere con il canto con file audio in streaming vol 1* - Nov 23 2022

web crescere con il canto con file audio in streaming vol 1 spaccazocchi maurizio amazon it libri libri adolescenti e ragazzi  
arte musica e fotografia scorri sopra l'immagine per ingrandirla crescere con il canto con file audio in streaming vol 1  
copertina flessibile audio mp3 1 settembre 2021 di maurizio spaccazocchi autore

**crescere con il canto con 2 cd audio vol 2 libreria ibs** - Jun 18 2022

web crescere con il canto con 2 cd audio vol 2 maurizio spaccazocchi libro progetti sonori ibs crescere con il canto con 2 cd  
audio vol 2 è un libro di maurizio spaccazocchi pubblicato da progetti sonori acquista su ibs a 27 17

crescere con il canto vol 1 progetti sonori - Sep 21 2022

web feb 19 2016 questa prima sezione costituita da un testo guida per l'educatore e 2 cd o in alternativa file digitali fruibili  
tramite app progetti sonori propone 43 brani suddivisi in 7 percorsi gradualmente e propedeutici a ritma la voce parlare recitare e  
oltre b prima intonazione cantare con una sola nota

**crescere con il canto con 2 cd audio vol 1 amazon com br** - Dec 25 2022

web compre online crescere con il canto con 2 cd audio vol 1 de spaccazocchi maurizio na amazon frete grÁtis em milhares  
de produtos com o amazon prime encontre diversos livros escritos por spaccazocchi maurizio com ótimos preços

crescere con il canto 2 musicbrainz the open music - Feb 24 2023

web crescere con il canto 2 release by maurizio spaccazocchi see all versions of this release 1 available

**crescere con il canto con 2 cd audio vol 2 amazon it** - Aug 21 2022

web tutto questo è possibile attuarlo con crescere con il canto 2 grazie ai suoi ricchissimi 6 percorsi propedeutici e ai 40  
brani musicali presenti nei 2 cd allegati sia in versione integrale che con le sole basi realizzati con il massimo

**crescere con il canto con 2 cd audio vol 1 libreria universitaria** - Oct 23 2022

web acquista crescere con il canto con 2 cd audio vol 1 di maurizio spaccazocchi con spedizione gratuita su libreria universitaria

**crescere con il canto con 2 cd audio vol 3 amazon it** - May 18 2022

web l'affascinante proposta didattica sull'educazione vocale di maurizio spaccazocchi continua il suo viaggio con crescere con il canto 3 la sezione dedicata al canto a più voci

## **Kenmore 15358 Sewing Machine Manual** Book Review: Unveiling the Power of Words

In some sort of driven by information and connectivity, the ability of words has are more evident than ever. They have the capacity to inspire, provoke, and ignite change. Such is the essence of the book **Kenmore 15358 Sewing Machine Manual**, a literary masterpiece that delves deep to the significance of words and their impact on our lives. Written by a renowned author, this captivating work takes readers on a transformative journey, unraveling the secrets and potential behind every word. In this review, we shall explore the book is key themes, examine its writing style, and analyze its overall impact on readers.

[https://offsite.creighton.edu/files/virtual-library/Documents/oh\\_the\\_places\\_youll\\_go\\_book.pdf](https://offsite.creighton.edu/files/virtual-library/Documents/oh_the_places_youll_go_book.pdf)

[https://offsite.creighton.edu/files/virtual-library/Documents/nj\\_civil\\_service\\_study\\_guide.pdf](https://offsite.creighton.edu/files/virtual-library/Documents/nj_civil_service_study_guide.pdf)

[https://offsite.creighton.edu/files/virtual-library/Documents/north\\_facing\\_vastu\\_house.pdf](https://offsite.creighton.edu/files/virtual-library/Documents/north_facing_vastu_house.pdf)

### **Table of Contents Kenmore 15358 Sewing Machine Manual**

1. Understanding the eBook Kenmore 15358 Sewing Machine Manual
  - The Rise of Digital Reading Kenmore 15358 Sewing Machine Manual
  - Advantages of eBooks Over Traditional Books
2. Identifying Kenmore 15358 Sewing Machine Manual
  - Exploring Different Genres
  - Considering Fiction vs. Non-Fiction
  - Determining Your Reading Goals
3. Choosing the Right eBook Platform
  - Popular eBook Platforms

- Features to Look for in an Kenmore 15358 Sewing Machine Manual
  - User-Friendly Interface
4. Exploring eBook Recommendations from Kenmore 15358 Sewing Machine Manual
    - Personalized Recommendations
    - Kenmore 15358 Sewing Machine Manual User Reviews and Ratings
    - Kenmore 15358 Sewing Machine Manual and Bestseller Lists
  5. Accessing Kenmore 15358 Sewing Machine Manual Free and Paid eBooks
    - Kenmore 15358 Sewing Machine Manual Public Domain eBooks
    - Kenmore 15358 Sewing Machine Manual eBook Subscription Services
    - Kenmore 15358 Sewing Machine Manual Budget-Friendly Options
  6. Navigating Kenmore 15358 Sewing Machine Manual eBook Formats
    - ePub, PDF, MOBI, and More
    - Kenmore 15358 Sewing Machine Manual Compatibility with Devices
    - Kenmore 15358 Sewing Machine Manual Enhanced eBook Features
  7. Enhancing Your Reading Experience
    - Adjustable Fonts and Text Sizes of Kenmore 15358 Sewing Machine Manual
    - Highlighting and Note-Taking Kenmore 15358 Sewing Machine Manual
    - Interactive Elements Kenmore 15358 Sewing Machine Manual
  8. Staying Engaged with Kenmore 15358 Sewing Machine Manual
    - Joining Online Reading Communities
    - Participating in Virtual Book Clubs
    - Following Authors and Publishers Kenmore 15358 Sewing Machine Manual
  9. Balancing eBooks and Physical Books Kenmore 15358 Sewing Machine Manual
    - Benefits of a Digital Library
    - Creating a Diverse Reading Collection Kenmore 15358 Sewing Machine Manual
  10. Overcoming Reading Challenges
    - Dealing with Digital Eye Strain
    - Minimizing Distractions
    - Managing Screen Time
  11. Cultivating a Reading Routine Kenmore 15358 Sewing Machine Manual

- Setting Reading Goals Kenmore 15358 Sewing Machine Manual
- Carving Out Dedicated Reading Time
- 12. Sourcing Reliable Information of Kenmore 15358 Sewing Machine Manual
  - Fact-Checking eBook Content of Kenmore 15358 Sewing Machine Manual
  - Distinguishing Credible Sources
- 13. Promoting Lifelong Learning
  - Utilizing eBooks for Skill Development
  - Exploring Educational eBooks
- 14. Embracing eBook Trends
  - Integration of Multimedia Elements
  - Interactive and Gamified eBooks

### **Kenmore 15358 Sewing Machine Manual Introduction**

Free PDF Books and Manuals for Download: Unlocking Knowledge at Your Fingertips In today's fast-paced digital age, obtaining valuable knowledge has become easier than ever. Thanks to the internet, a vast array of books and manuals are now available for free download in PDF format. Whether you are a student, professional, or simply an avid reader, this treasure trove of downloadable resources offers a wealth of information, conveniently accessible anytime, anywhere. The advent of online libraries and platforms dedicated to sharing knowledge has revolutionized the way we consume information. No longer confined to physical libraries or bookstores, readers can now access an extensive collection of digital books and manuals with just a few clicks. These resources, available in PDF, Microsoft Word, and PowerPoint formats, cater to a wide range of interests, including literature, technology, science, history, and much more. One notable platform where you can explore and download free Kenmore 15358 Sewing Machine Manual PDF books and manuals is the internet's largest free library. Hosted online, this catalog compiles a vast assortment of documents, making it a veritable goldmine of knowledge. With its easy-to-use website interface and customizable PDF generator, this platform offers a user-friendly experience, allowing individuals to effortlessly navigate and access the information they seek. The availability of free PDF books and manuals on this platform demonstrates its commitment to democratizing education and empowering individuals with the tools needed to succeed in their chosen fields. It allows anyone, regardless of their background or financial limitations, to expand their horizons and gain insights from experts in various disciplines. One of the most significant advantages of downloading PDF books and manuals lies in their portability. Unlike physical copies, digital books can be stored and carried on a single device, such as a tablet or smartphone, saving valuable space and weight. This convenience makes it possible for

readers to have their entire library at their fingertips, whether they are commuting, traveling, or simply enjoying a lazy afternoon at home. Additionally, digital files are easily searchable, enabling readers to locate specific information within seconds. With a few keystrokes, users can search for keywords, topics, or phrases, making research and finding relevant information a breeze. This efficiency saves time and effort, streamlining the learning process and allowing individuals to focus on extracting the information they need. Furthermore, the availability of free PDF books and manuals fosters a culture of continuous learning. By removing financial barriers, more people can access educational resources and pursue lifelong learning, contributing to personal growth and professional development. This democratization of knowledge promotes intellectual curiosity and empowers individuals to become lifelong learners, promoting progress and innovation in various fields. It is worth noting that while accessing free Kenmore 15358 Sewing Machine Manual PDF books and manuals is convenient and cost-effective, it is vital to respect copyright laws and intellectual property rights. Platforms offering free downloads often operate within legal boundaries, ensuring that the materials they provide are either in the public domain or authorized for distribution. By adhering to copyright laws, users can enjoy the benefits of free access to knowledge while supporting the authors and publishers who make these resources available. In conclusion, the availability of Kenmore 15358 Sewing Machine Manual free PDF books and manuals for download has revolutionized the way we access and consume knowledge. With just a few clicks, individuals can explore a vast collection of resources across different disciplines, all free of charge. This accessibility empowers individuals to become lifelong learners, contributing to personal growth, professional development, and the advancement of society as a whole. So why not unlock a world of knowledge today? Start exploring the vast sea of free PDF books and manuals waiting to be discovered right at your fingertips.

### **FAQs About Kenmore 15358 Sewing Machine Manual Books**

How do I know which eBook platform is the best for me? Finding the best eBook platform depends on your reading preferences and device compatibility. Research different platforms, read user reviews, and explore their features before making a choice. Are free eBooks of good quality? Yes, many reputable platforms offer high-quality free eBooks, including classics and public domain works. However, make sure to verify the source to ensure the eBook credibility. Can I read eBooks without an eReader? Absolutely! Most eBook platforms offer webbased readers or mobile apps that allow you to read eBooks on your computer, tablet, or smartphone. How do I avoid digital eye strain while reading eBooks? To prevent digital eye strain, take regular breaks, adjust the font size and background color, and ensure proper lighting while reading eBooks. What the advantage of interactive eBooks? Interactive eBooks incorporate multimedia elements, quizzes, and activities, enhancing the reader engagement and providing a more immersive learning experience. Kenmore 15358 Sewing Machine

Manual is one of the best book in our library for free trial. We provide copy of Kenmore 15358 Sewing Machine Manual in digital format, so the resources that you find are reliable. There are also many Ebooks of related with Kenmore 15358 Sewing Machine Manual. Where to download Kenmore 15358 Sewing Machine Manual online for free? Are you looking for Kenmore 15358 Sewing Machine Manual PDF? This is definitely going to save you time and cash in something you should think about. If you trying to find then search around for online. Without a doubt there are numerous these available and many of them have the freedom. However without doubt you receive whatever you purchase. An alternate way to get ideas is always to check another Kenmore 15358 Sewing Machine Manual. This method for see exactly what may be included and adopt these ideas to your book. This site will almost certainly help you save time and effort, money and stress. If you are looking for free books then you really should consider finding to assist you try this. Several of Kenmore 15358 Sewing Machine Manual are for sale to free while some are payable. If you arent sure if the books you would like to download works with for usage along with your computer, it is possible to download free trials. The free guides make it easy for someone to free access online library for download books to your device. You can get free download on free trial for lots of books categories. Our library is the biggest of these that have literally hundreds of thousands of different products categories represented. You will also see that there are specific sites catered to different product types or categories, brands or niches related with Kenmore 15358 Sewing Machine Manual. So depending on what exactly you are searching, you will be able to choose e books to suit your own need. Need to access completely for Campbell Biology Seventh Edition book? Access Ebook without any digging. And by having access to our ebook online or by storing it on your computer, you have convenient answers with Kenmore 15358 Sewing Machine Manual To get started finding Kenmore 15358 Sewing Machine Manual, you are right to find our website which has a comprehensive collection of books online. Our library is the biggest of these that have literally hundreds of thousands of different products represented. You will also see that there are specific sites catered to different categories or niches related with Kenmore 15358 Sewing Machine Manual So depending on what exactly you are searching, you will be able to choose ebook to suit your own need. Thank you for reading Kenmore 15358 Sewing Machine Manual. Maybe you have knowledge that, people have search numerous times for their favorite readings like this Kenmore 15358 Sewing Machine Manual, but end up in harmful downloads. Rather than reading a good book with a cup of coffee in the afternoon, instead they juggled with some harmful bugs inside their laptop. Kenmore 15358 Sewing Machine Manual is available in our book collection an online access to it is set as public so you can download it instantly. Our digital library spans in multiple locations, allowing you to get the most less latency time to download any of our books like this one. Merely said, Kenmore 15358 Sewing Machine Manual is universally compatible with any devices to read.



**Find Kenmore 15358 Sewing Machine Manual :**

*oh the places youll go book*

nj civil service study guide

north facing vastu house

oae educational leadership 015 study guide pdf

**notes from underground pdf**

object lesson on peace

**nna test answers**

niv adventure bible bulk

oak island treasure finds

*nrp test questions*

**nomad personality type**

~~ohio electrical exam~~

**noodles club naples**

~~nyc sanitation requirements~~

~~northern shaolin kungfu~~

**Kenmore 15358 Sewing Machine Manual :**