

SEARS

*owner's
manual*

Models

**C950-52474-7
4 H.P. 21 Inch**

**C950-52475-7
5 H.P. 23 Inch**

**C950-52677-7
8 H.P. 25 Inch**

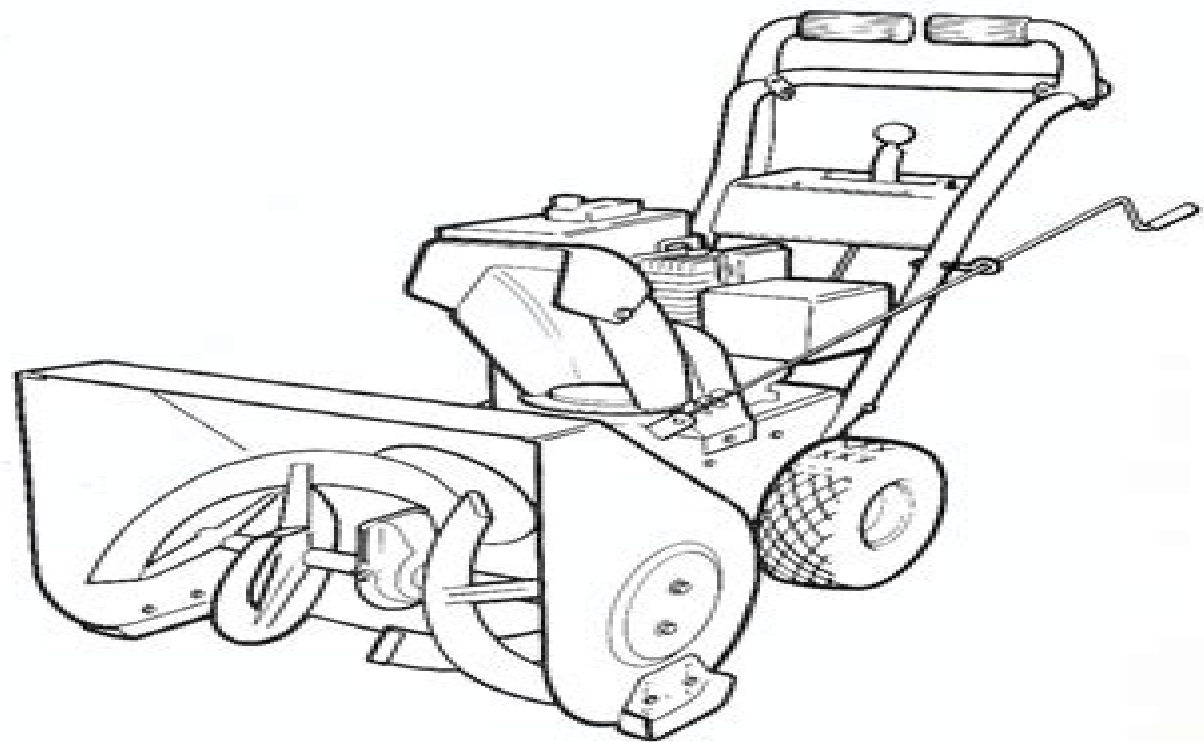
- **Assembly**
- **Operating
Instructions**
- **Replacement
Parts**
- **Warranty**

CAUTION:
You must read and
understand this owner's
manual before operating
unit.

Serial No. _____

SEARS CRAFTSMAN.

DUAL STAGE SNOWBLOWER



SEARS

CANADA

INC.,

TORONTO,

ONTARIO

M5B

2B8

Craftsman Snow Thrower Repair Manual

Christian G. Meyer



Craftsman Snow Thrower Repair Manual

Small Engines and Outdoor Power Equipment, Updated 2nd Edition Editors of Cool Springs Press, 2020-09-29 This updated edition of the best selling Small Engines and Power Equipment is more than a simple engine repair manual. Designed for the beginner with little or no mechanical experience, this book is a graphically appealing step-by-step guide that covers all of the most important engine maintenance and repair skills you'll need to keep your equipment running at peak performance. It also shows exactly how to perform mechanical upkeep and repairs on the most common outdoor power implements. With new and improved content for today's motorized equipment, this DIY bible includes engine and mechanical repair plus maintenance instruction for all your outdoor power equipment, including lawn mowers, snow blowers, chain saws, power washers, generators, leaf blowers, rototillers, wood splitters, lawn edgers, and weed whips. With clear how-to photos and detailed diagrams, you'll see exactly what needs to be done. A comprehensive troubleshooting guide helps you define problems and enact solutions. Among the many skills you'll learn are seasonal tune-ups, changing oil, servicing spark plugs, cleaning filters, replacing mufflers, servicing the fuel tank, overhauling the carburetor, servicing brakes, inspecting flywheels, replacing the fuel pump, and replacing a rewind cord. With *Small Engines and Outdoor Power Equipment 2nd Edition* in your library, you won't need to haul the lawn mower off to the repair center and wait a few weeks just because a filter is plugged or the old gas needs to be replaced. This is a book every home-owning weekend warrior should have a copy of. [The Essential Guide to Motorcycle Maintenance](#) Mark Zimmerman, 2016-12-15 Popular motorcycle journalist and author Mark Zimmerman brings a comfortable conversational tone to his easy-to-understand explanations of how motorcycles work and how to maintain them and fix them when they don't. This practical tutorial covers all brands and styles of bikes, making it a perfect companion to the owner's service manual. Whether you need to use the step-by-step instructions for basic maintenance techniques to wrench on your bike yourself or just want to learn enough to become an informed customer at your local motorcycle service department, this book includes more than 500 color photos and a thorough index to make it an especially user-friendly reference for home motorcycle mechanics of all skill levels. *Small Air-cooled Engine Service Manual, 1990-1994, 1995* Previously published as one volume under same title. **Planning Guide for Maintaining School Facilities** Tom Szuba, 2003 [Products Catalog](#) National Center for Research in Vocational Education (U.S.), 1980 **An Introduction to Predictive Maintenance** R. Keith Mobley, 2002-10-24 This second edition of *An Introduction to Predictive Maintenance* helps plant process maintenance and reliability managers and engineers to develop and implement a comprehensive maintenance management program, providing proven strategies for regularly monitoring critical process equipment and systems, predicting machine failures, and scheduling maintenance accordingly. Since the publication of the first edition in 1990, there have been many changes in both technology and methodology, including financial implications, the role of a maintenance

organization predictive maintenance techniques various analyses and maintenance of the program itself This revision includes a complete update of the applicable chapters from the first edition as well as six additional chapters outlining the most recent information available Having already been implemented and maintained successfully in hundreds of manufacturing and process plants worldwide the practices detailed in this second edition of *An Introduction to Predictive Maintenance* will save plants and corporations as well as U S industry as a whole billions of dollars by minimizing unexpected equipment failures and its resultant high maintenance cost while increasing productivity A comprehensive introduction to a system of monitoring critical industrial equipment Optimize the availability of process machinery and greatly reduce the cost of maintenance Provides the means to improve product quality productivity and profitability of manufacturing and production plants *Catalog of Sears, Roebuck and Company* Sears, Roebuck and Company,1984 **Dar and the Spear Thrower** Marjorie Cowley,1994 A young boy living 15 000 years ago in southeastern France is initiated into manhood by his clan and sets off on a journey to trade his valuable fire rocks for an ivory spear thrower [Insurance Restoration Contracting](#) Paul Bianchina,2011 Insurance restoration the repair of buildings damaged by water fire smoke storms and other disasters is an exciting and challenging field of construction It also offers contractors lucrative work that s immune to economic downturns pipes still break buildings still burn and trees are still blown over regardless of the economy And with the insurance companies funding the repairs your payment is virtually guaranteed But not just anyone can repair fire and water damaged buildings You need the knowledge and the equipment to get the job done right and that s what this book is all about From understanding fire repairs and smoke odors to restorative drying methods mold remediation and handling contents you ll not only learn how to provide top notch property and content restoration services but also how to become the person homeowners and insurance companies turn to first in an emergency putting yourself first in line for all the best jobs **Air conditioning and Refrigeration Repair Made Easy** Hooman Gohari,2009-10-19 This comprehensive book has been developed to quickly train an average person for the vast commercial and residential refrigeration and air conditioning market within a short period of time It provides all the technical knowledge needed to start a successful refrigeration and air conditioning business anywhere in the world **Maintenance Engineering Handbook** Keith Mobley,Lindley Higgins,Darrin Wikoff,2008-04-20 Stay Up to Date on the Latest Issues in Maintenance Engineering The most comprehensive resource of its kind *Maintenance Engineering Handbook* has long been a staple for engineers managers and technicians seeking current advice on everything from tools and techniques to planning and scheduling This brand new edition brings you up to date on the most pertinent aspects of identifying and repairing faulty equipment such dated subjects as sanitation and housekeeping have been removed *Maintenance Engineering Handbook* has been advising plant and facility professionals for more than 50 years Whether you re new to the profession or a practiced veteran this updated edition is an absolute necessity New and updated sections include Belt Drives provided by the Gates Corporation Repair and Maintenance Cost

Estimation Ventilation Fans and Exhaust Systems 10 New Chapters on Maintenance of Mechanical Equipment Inside Organization and Management of the Maintenance Function Maintenance Practices Engineering and Analysis Tools Maintenance of Facilities and Equipment Maintenance of Mechanical Equipment Maintenance of Electrical Equipment Instrumentation and Reliability Tools Lubrication Maintenance Welding Chemical Corrosion Control and Cleaning **2020 National Home Improvement Estimator** Ray F. Hicks,2019-10 *Mechanix Illustrated* ,1978 *Appropriate Sanitation Alternatives* John M. Kalbermatten,1982 The United Nations has designated the 1980 s as the International Drinking Water Supply and Sanitation Decade Its goal is to provide two of the most fundamental human needs safe water and sanitary disposal of human wastes to all people Since the technology for supplying water is better understood the emphasis in this volume is on sanitation and waste reclamation technologies their contributions to better health and how they are affected by water service levels and the ability an willingness of communities to pay for the systems This manual presents the latest field results of the research summarizes selected portions of other publication on sanitation program planning and describes the engineering details of alternative sanitation technologies and how they can be upgraded The guidelines procedures and technologies are based on the World Bank s own research in nineteen countries The twenty two chapters are divided into three parts socioeconomic aspects of sanitation program planning sanitation program planning and sanitation technology options The manual is extensively illustrated with the technical diagrams of the recommended sanitation systems and their components Popular Science ,1973-12 Popular Science gives our readers the information and tools to improve their technology and their world The core belief that Popular Science and our readers share The future is going to be better and science and technology are the driving forces that will help make it better **2019 National Construction Estimator** Richard Pray,2018-10 Labor and material costs manhours and city cost modifiers for all residential commercial and industrial construction Cover **Popular Mechanics** ,1945-10 Popular Mechanics inspires instructs and influences readers to help them master the modern world Whether it s practical DIY home improvement tips gadgets and digital technology information on the newest cars or the latest breakthroughs in science PM is the ultimate guide to our high tech lifestyle **Flavor of the Day** Elizabeth Craft,2013-10-30 Meet the staff of caf Natalie Dylan Blue Sam Tanya and Jason They run the hippest coffee shop in San Francisco and they have the coolest site on the Internet The staff of caf knows the rule about mixing business with love don t ever do it But Natalie s dating Sam and dreaming about Dylan Blue and Jason would be the perfect couple if they were speaking to each other And Dylan won t be happy until he has Natalie even if it means losing his best friend Sam After all rules are made to be broken aren t they Popular Science ,1972-04 Popular Science gives our readers the information and tools to improve their technology and their world The core belief that Popular Science and our readers share The future is going to be better and science and technology are the driving forces that will help make it better Residential Rehabilitation Inspection Guide U.S. Department of Housing and Urban Development,2014-05-19 This guide

provides step by step technical information for evaluating a residential building s site exterior interior and structural electrical plumbing and HVAC systems

puzzle book holiday brain tickling quizzes sudokus crosswords - Oct 06 2023

web a fact packed fun book of holiday themed puzzles test your knowledge and get thinking with this fact packed national geographic kids fun book of holiday themed puzzles

hazel İn okul Öncesi pikniği oyna bebek oyunu - Dec 16 2021

web hazel İn okul Öncesi pikniği hazel ve arkadaşları okul başlamadan önce bir okula merhaba pikniğine gidecekleri için oldukça heyecanlılar hazel okul gezisinden önce anne ve

puzzle book holiday brain tickling quizzes sudokus c copy - Sep 05 2023

web 4 puzzle book holiday brain tickling quizzes sudokus c 2022 04 17 packed national geographic kids fun book of animal themed puzzles inside are brain tickling quizzes

[puzzle book holiday brain tickling quizzes sudokus c pdf](#) - Mar 31 2023

web introduction puzzle book holiday brain tickling quizzes sudokus c pdf pdf national geographic kids puzzle book space national geographic kids 2019 11 26

puzzle book holiday brain tickling quizzes sudokus c - May 21 2022

web a book puzzle book holiday brain tickling quizzes sudokus c after that it is not directly done you could say you will even more concerning this life roughly the world we have

puzzle book holiday brain tickling quizzes sudokus c full pdf - Jul 23 2022

web puzzle book holiday brain tickling quizzes sudokus c 1 puzzle book holiday brain tickling quizzes sudokus c puzzle island the puzzle activity book oh the flesh you

[puzzle book holiday brain tickling quizzes sudokus c](#) - Mar 19 2022

web puzzle book holiday brain tickling quizzes sudokus c download only admin store motogp com author hinton rebekah subject national geographic kids

puzzle book holiday brain tickling quizzes sudokus crosswords - Dec 28 2022

web a fact packed fun book of holiday themed puzzles test your knowledge and get thinking with this fact packed national geographic kids fun book of holiday themed puzzles

puzzle book holiday brain tickling quizzes sudokus c - Aug 24 2022

web junie b jones these puzzles hurt my brain book my what ticklish feet you have puzzle book horses and ponies brain candy the diving bell and the butterfly the

hazel bebek okul gezisi oyunu bebek oyunları oyun dedem - Nov 14 2021

web hazel bebeęe yardım ettięimiz oyunda çeřitli görevler yapacaęız hazel bizden bazı eřyalar isteyecek bizde odadan eřyayı bulup getireceęiz İstenilen eřyalar resim ve ok iřaretleri

hazel bebek okul Öncesi piknik oyunu oyna bebek oyunları - Jan 17 2022

web aug 5 2017 hazel bebek ile eęlence kaldıęı yerden devam ediyor okulların açılmasına sayılı günlerin kaldıęı řu günlerde hazel annesi ve okul arkadaşları ile birlikte güzel bir

puzzle book holiday brain tickling quizzes sudokus c pdf - Sep 24 2022

web the brain that changes itself puzzle palace puzzle book holiday brain tickling quizzes sudokus crosswords and wordsearches and more puzzle book horses

puzzle book holiday brain tickling quizzes sudokus c 2022 - Aug 04 2023

web all new sudoku puzzles four difficulty levels including smaller kid grids fun commentary and illustrations edited by legendary new york times crossword editor

puzzle book holiday brain tickling quizzes sudokus c - Oct 26 2022

web you could purchase guide puzzle book holiday brain tickling quizzes sudokus c or get it as soon as feasible you could speedily download this puzzle book holiday brain

puzzle ve eęlenceli oyunlar birkitapçım - Feb 15 2022

web puzzle ve eęlenceli oyunlar tüm kategoriler tüm markalar adeland 16 filtre seęenekleri İndirimli Ürünler 4 stoktakiler tÜkendİ adeland trt Çocuk akıllı tavřan bebek

puzzle book holiday brain tickling quizzes sudokus c full pdf - Nov 26 2022

web puzzle book holiday brain tickling quizzes sudokus c how to speak cat mar 29 2021 a guide to understanding a cat s body language and behavior illustrating 55 different

puzzle book holiday brain tickling quizzes sudokus c - Jan 29 2023

web puzzle book holiday brain tickling quizzes sudokus c most likely you have knowledge that people have look numerous time for their favorite books gone this puzzle book

puzzle book holiday brain tickling quizzes sudokus - Feb 27 2023

web puzzle book holiday brain tickling quizzes sudokus crosswords and wordsearches national geographic kids amazon com tr oyuncak

puzzle book holiday brain tickling quizzes sudokus c pdf - May 01 2023

web magical adventure for both of them can rio get back to christmas land in time to pull santa s sleigh on christmas eve puzzle book holiday brain tickling quizzes

puzzle book holiday brain tickling quizzes sudokus c pdf - Jul 03 2023

web puzzle book holiday brain tickling quizzes sudokus c this is your brain on music the monster stick big puzzle book the brain that changes itself puzzle book holiday

puzzle book holiday brain tickling quizzes sudokus c pdf - Apr 19 2022

web puzzle book holiday brain tickling quizzes sudokus crosswords and wordsearches and more national geographic kids puzzle book holiday national geographic kids

puzzle book holiday brain tickling quizzes sudokus c pdf - Jun 02 2023

web aug 27 2023 this online broadcast puzzle book holiday brain tickling quizzes sudokus c pdf can be one of the options to accompany you behind having other time it

puzzle book holiday brain tickling quizzes sudokus c pdf - Jun 21 2022

web puzzle book holiday brain tickling quizzes sudokus c 1 puzzle book holiday brain tickling quizzes sudokus c puzzle book under the sea halloween fun brain logic

common medical roots prefixes suffixes openmd com - Jul 31 2023

web this is a list of roots suffixes and prefixes used in medical terminology their meanings and their etymologies most of them are combining forms in neo latin and hence

anatomical and medical prefixes and suffixes kenhub - Jun 29 2023

web what are the interactive features gameplay with tips 50 50 only 2 answers left for selection double marks for correct answers increase of answer time self learning

medical terminology web home - Apr 27 2023

web at first glance medical terminology can seem like a foreign language but often the key to understanding medical terms is focusing on their components prefixes roots and

medical terminology list root word prefix suffix meanings and - Aug 20 2022

web oct 11 2023 memorizing medical terms prefixes roots and suffixes when looking at medical terminology the easiest way to help with memorizing or learning the terms is

medical roots prefixes suffixes m openmd com - Dec 12 2021

1 2 prefixes and suffixes medicine libretxts - Dec 24 2022

web building and understanding roots prefixes and suffixes and talk like a nurse this document lists many not all of the medical terms used in your first semester classes

introduction to medical terminology openmd - Jun 17 2022

web jul 1 2022 roots prefixes and suffixes decoding medical terminology using an online enquiry based learning intervention for nursing associates sciencedirect teaching and
medical terminology common prefixes roots and suffixes - Nov 10 2021

libguides medical terminology tips tricks for memorizing - May 17 2022

web this is a list of roots suffixes and prefixes used in medical terminology their meanings and their etymology there are a few rules when using medical roots firstly prefixes

guide to common medical terminology germanna - Mar 27 2023

web combining forms prefixes and suffixes and you learned the important medical roots and combining forms in this chapter you learn the important medical prefixes and suffixes

understanding medical terms msd manual consumer version - Feb 23 2023

web dec 24 2022 medical terminology for healthcare professions nelson and greene 1 chapters 1 2 prefixes and suffixes

list of medical roots suffixes and prefixes - Oct 02 2023

web prefixes are located at the beginning of a medical term the prefix alters the meaning of the medical term it is important to spell and pronounce prefixes correctly many

medical terminology prefix suffix and root words with examples - Oct 10 2021

list of medical roots suffixes and prefixes wikidoc - Apr 15 2022

web aug 21 2022 table of content what is medical terminology medical term medical prefixes and suffixes root words medical abbreviations basic medical terminology

prefixes and suffixes in medical terms - Jan 25 2023

web both prefixes and suffixes are combined with the other basic element of a medical word the word root combining form defining medical words after you learn prefixes

medical terminology 2023 list prefixes suffixes medical - Jan 13 2022

web medicalterminology medicalterms this video is for the medical students in this video we are talking about common prefixes suffixes and combining words us

common prefixes roots and suffixes in medical terminology - Jul 19 2022

web this is a list of roots suffixes and prefixes used in medical terminology their meanings and their etymology a few rules should be noted when using medical roots firstly

1 chapter one word elements prefixes and suffixes - Nov 22 2022

web aug 26 2021 list of prefix word root and suffix terms for body parts with dictionary meanings nursing quiz glossary book abbreviations includes medical words and

[prefixes and suffixes medical terminology for healthcare](#) - Sep 01 2023

web openmd s index includes 750 common roots prefixes and suffixes when available the original greek or latin term is provided in parentheses after the english definition

list of medical roots suffixes and prefixes list of medical roots - Feb 11 2022

web advertisement if there is no prefix the word s root will be its first component the position of the root is determined by the presence or absence of the prefixes the

the b u r p s list johns hopkins school of nursing - Sep 20 2022

web jan 9 2020 root the root gives a term its essential meaning nearly all medical terms contain at least one root when a prefix is absent the term begins with a root suffix

roots prefixes and suffixes decoding medical terminology using - Mar 15 2022

web list of medical prefixes roots and suffixes starting with the letter m includes the meanings of hundreds of common word parts used in medical terminology directory

medical terms prefixes roots and suffixes - Oct 22 2022

web oct 11 2023 suffixes in medical terminology suffixes are attached at the end of words to change or add to the original meaning in medical terminology suffixes usually signify a

list of medical roots suffixes and prefixes wikiwand - May 29 2023

web most medical terms contain at least one root and they may also contain one or more prefixes or suffixes this handout will describe how word parts create meaning to

sputnik sweetheart haruki murakami książka w - Dec 29 2021

web sputnik sweetheart haruki murakami wydawnictwo muza literatura piękna 263 str 4 godz 23 min szczegóły inne wydania kup książkę narrator młody nauczyciel literatury jest zakochany w początkującej powieściopisarce sumire ona jednak darzy uczuciem miu swoją pracodawczynię niemal dwukrotnie starszą od niej

sputnik sweetheart by haruki murakami 9780375726057 - Feb 11 2023

web about sputnik sweetheart part romance part detective story sputnik sweetheart tells the story of a tangled triangle of uniquely unrequited love k is madly in love with his best friend sumire but her devotion to a writerly life precludes her

sputnik sweetheart by haruki murakami goodreads - Jul 16 2023

web apr 20 1999 sputnik sweetheart is a novel of what could have been what might have been where worlds overlap love can never quite be divorced from lust in the world of k sumire and miu sex is often mistaken for love

sputnik sweetheart haruki murakami amazon com tr - Aug 05 2022

web ayrıntılar 57 40 başlangıç fiyatıyla 3 adet yeni ürün sumire is in love with a woman seventeen years her senior but whereas miu is glamorous and successful sumire is an aspiring writer who dresses in an oversized second hand coat and heavy boots like a character in a kerouac novel

sputnik sweetheart by haruki murakami paperback barnes - May 02 2022

web apr 9 2002 part romance part detective story sputnik sweetheart tells the story of a tangled triangle of uniquely unrequited love k is madly in love with his best friend sumire but her devotion to a writerly life precludes her from any personal commitments at least that is until she meets an older woman to whom she finds herself irresistibly drawn

[sputnik sweetheart haruki murakami amazon co uk](#) - Jan 30 2022

web buy sputnik sweetheart haruki murakami by murakami haruki from amazon s fiction books store everyday low prices on a huge range of new releases and classic fiction

sputnik sweetheart guide the murakami pilgrimage - Sep 06 2022

web sputnik sweetheart narrated by the elementary school teacher simply known as k revolves around sumire and her infatuation with her older boss miu business obligations take the pair to europe and they eventually decide to

sputnik sweetheart wikipedia - Aug 17 2023

web sputnik sweetheart 恋するスプートニク supūtoniku no koibito is a novel by haruki murakami published in japan by kodansha in 1999 an english translation by philip gabriel was then published in 2001

sputnik sweetheart summary supersummary - Jun 03 2022

web sputnik sweetheart is a japanese novel that follows the narrator k as his love interest falls in love with someone else and disappears under mysterious perhaps magical circumstances kodansha first published the novel in japanese in 1999 and then an english version in 2001

[sputnik sweetheart by haruki murakami summary analysis](#) - Apr 13 2023

web nov 27 2022 sputnik sweetheart by haruki murakami is a literary fiction about an elementary school teacher known as k and an aspiring writer named sumire japanese publisher kodansha first published the

sputnik sweetheart haruki murakami - Jun 15 2023

web chapter 1 in the spring of her twenty second year sumire fell in love for the first time in her life an intense love a veritable tornado sweeping across the plains flattening everything in its path tossing things up in the air ripping

sputnik sweetheart a deluxe gift edition of murakami s masterful - May 14 2023

web sputnik sweetheart a deluxe gift edition of murakami s masterful tale of unrequited love murakami collectible classics murakami haruki amazon com tr kitap

sputnik sweetheart haruki murakami - Jan 10 2023

web sputnik sweetheart posted on october 6 2014 by chung haruki murakami the internationally bestselling author of norwegian wood and the wind up bird chronicle plunges us into an urbane japan of jazz bars coffee shops jack kerouac and the beatles to tell this story of a tangled triangle of uniquely unrequited loves

haruki murakami archive org - Mar 12 2023

web sputnik sweetheart 4 sputnik on 4 october 1957 the soviet union launched the world s first man made satellite sputnik i from the baikanor space centre in the republic of kazakhstan sputnik was 58 cm in diameter weighed 83 6 kilogram s and orbited the earth in 96 minutes

[sputnik sweetheart murakami haruki amazon in books](#) - Apr 01 2022

web sputnik sweetheart is yet again a beautiful masterpiece by murakami known for his surrealistic conviction woven into a realm of magic realism murakami has never disappointed and this book simply proves that unlike his other novels this is comparatively short and tells a story of three characters sumire miu and k the narrator

sputnik sweetheart a novel amazon com - Dec 09 2022

web haruki murakami the internationally bestselling author of norwegian wood and the wind up bird chronicle plunges us into an urbane japan of jazz bars coffee shops jack kerouac and the beatles to tell this story of a tangled triangle of uniquely unrequited loves

sputnik sweetheart wikiwand - Nov 08 2022

web sputnik sweetheart 〇〇〇〇〇〇〇〇 supūtoniku no koibito is a novel by haruki murakami published in japan by kodansha in 1999 an english translation by philip gabriel was then published in 2001

sputnik sweetheart by haruki murakami penguin random - Jul 04 2022

web oct 15 2013 sputnik sweetheart part romance part detective story sputnik sweetheart tells the story of a tangled triangle of uniquely unrequited love k is madly in love with his best friend sumire but her devotion to a writerly life precludes her from any personal commitments

[sputnik sweetheart murakami haruki complete review](#) - Feb 28 2022

web sputnik sweetheart is a tale of unrequited loves and of those who despite deep and close friendships remain alone all of us murakami sometimes seems to suggest there is the narrator a young teacher whose name we never learn beyond the cryptic kafkaesque initial k one of the characters uses when referring to him

sputnik sweetheart murakami haruki amazon com tr kitap - Oct 07 2022

web sputnik sweetheart murakami haruki amazon com tr kitap Çerez tercihlerinizi seçin Çerez bildirimimizde ayrıntılı şekilde açıklandığı üzere alışveriş yapmanızı sağlamak alışveriş deneyiminizi iyileştirmek ve hizmetlerimizi sunmak için gerekli olan

çerezleri ve benzer araçları kullanırız

Discover tales of courage and bravery in Explore Bravery with is empowering ebook, **Craftsman Snow Thrower Repair Manual** . In a downloadable PDF format (Download in PDF: *), this collection inspires and motivates. Download now to witness the indomitable spirit of those who dared to be brave.

https://offsite.creighton.edu/files/virtual-library/Documents/labels_of_an_animal_cell.pdf

https://offsite.creighton.edu/files/virtual-library/Documents/keith_moon_stories.pdf

https://offsite.creighton.edu/files/virtual-library/Documents/king_louis_xv_madame_du_barry.pdf

Table of Contents Craftsman Snow Thrower Repair Manual

1. Understanding the eBook Craftsman Snow Thrower Repair Manual
 - The Rise of Digital Reading Craftsman Snow Thrower Repair Manual
 - Advantages of eBooks Over Traditional Books
2. Identifying Craftsman Snow Thrower Repair Manual
 - Exploring Different Genres
 - Considering Fiction vs. Non-Fiction
 - Determining Your Reading Goals
3. Choosing the Right eBook Platform
 - Popular eBook Platforms
 - Features to Look for in an Craftsman Snow Thrower Repair Manual
 - User-Friendly Interface
4. Exploring eBook Recommendations from Craftsman Snow Thrower Repair Manual
 - Personalized Recommendations
 - Craftsman Snow Thrower Repair Manual User Reviews and Ratings

- Craftsman Snow Thrower Repair Manual and Bestseller Lists
- 5. Accessing Craftsman Snow Thrower Repair Manual Free and Paid eBooks
 - Craftsman Snow Thrower Repair Manual Public Domain eBooks
 - Craftsman Snow Thrower Repair Manual eBook Subscription Services
 - Craftsman Snow Thrower Repair Manual Budget-Friendly Options
- 6. Navigating Craftsman Snow Thrower Repair Manual eBook Formats
 - ePub, PDF, MOBI, and More
 - Craftsman Snow Thrower Repair Manual Compatibility with Devices
 - Craftsman Snow Thrower Repair Manual Enhanced eBook Features
- 7. Enhancing Your Reading Experience
 - Adjustable Fonts and Text Sizes of Craftsman Snow Thrower Repair Manual
 - Highlighting and Note-Taking Craftsman Snow Thrower Repair Manual
 - Interactive Elements Craftsman Snow Thrower Repair Manual
- 8. Staying Engaged with Craftsman Snow Thrower Repair Manual
 - Joining Online Reading Communities
 - Participating in Virtual Book Clubs
 - Following Authors and Publishers Craftsman Snow Thrower Repair Manual
- 9. Balancing eBooks and Physical Books Craftsman Snow Thrower Repair Manual
 - Benefits of a Digital Library
 - Creating a Diverse Reading Collection Craftsman Snow Thrower Repair Manual
- 10. Overcoming Reading Challenges
 - Dealing with Digital Eye Strain
 - Minimizing Distractions
 - Managing Screen Time
- 11. Cultivating a Reading Routine Craftsman Snow Thrower Repair Manual
 - Setting Reading Goals Craftsman Snow Thrower Repair Manual
 - Carving Out Dedicated Reading Time
- 12. Sourcing Reliable Information of Craftsman Snow Thrower Repair Manual
 - Fact-Checking eBook Content of Craftsman Snow Thrower Repair Manual
 - Distinguishing Credible Sources

13. Promoting Lifelong Learning
 - Utilizing eBooks for Skill Development
 - Exploring Educational eBooks
14. Embracing eBook Trends
 - Integration of Multimedia Elements
 - Interactive and Gamified eBooks

Craftsman Snow Thrower Repair Manual Introduction

In this digital age, the convenience of accessing information at our fingertips has become a necessity. Whether its research papers, eBooks, or user manuals, PDF files have become the preferred format for sharing and reading documents. However, the cost associated with purchasing PDF files can sometimes be a barrier for many individuals and organizations. Thankfully, there are numerous websites and platforms that allow users to download free PDF files legally. In this article, we will explore some of the best platforms to download free PDFs. One of the most popular platforms to download free PDF files is Project Gutenberg. This online library offers over 60,000 free eBooks that are in the public domain. From classic literature to historical documents, Project Gutenberg provides a wide range of PDF files that can be downloaded and enjoyed on various devices. The website is user-friendly and allows users to search for specific titles or browse through different categories. Another reliable platform for downloading Craftsman Snow Thrower Repair Manual free PDF files is Open Library. With its vast collection of over 1 million eBooks, Open Library has something for every reader. The website offers a seamless experience by providing options to borrow or download PDF files. Users simply need to create a free account to access this treasure trove of knowledge. Open Library also allows users to contribute by uploading and sharing their own PDF files, making it a collaborative platform for book enthusiasts. For those interested in academic resources, there are websites dedicated to providing free PDFs of research papers and scientific articles. One such website is Academia.edu, which allows researchers and scholars to share their work with a global audience. Users can download PDF files of research papers, theses, and dissertations covering a wide range of subjects. Academia.edu also provides a platform for discussions and networking within the academic community. When it comes to downloading Craftsman Snow Thrower Repair Manual free PDF files of magazines, brochures, and catalogs, Issuu is a popular choice. This digital publishing platform hosts a vast collection of publications from around the world. Users can search for specific titles or explore various categories and genres. Issuu offers a seamless reading experience with its user-friendly interface and allows users to download PDF files for offline reading. Apart from dedicated platforms, search engines also play a crucial role in finding free PDF files. Google, for instance, has an advanced search feature that allows users to filter results by file type. By specifying the file type as "PDF,"

users can find websites that offer free PDF downloads on a specific topic. While downloading Craftsman Snow Thrower Repair Manual free PDF files is convenient, it's important to note that copyright laws must be respected. Always ensure that the PDF files you download are legally available for free. Many authors and publishers voluntarily provide free PDF versions of their work, but it's essential to be cautious and verify the authenticity of the source before downloading Craftsman Snow Thrower Repair Manual. In conclusion, the internet offers numerous platforms and websites that allow users to download free PDF files legally. Whether it's classic literature, research papers, or magazines, there is something for everyone. The platforms mentioned in this article, such as Project Gutenberg, Open Library, Academia.edu, and Issuu, provide access to a vast collection of PDF files. However, users should always be cautious and verify the legality of the source before downloading Craftsman Snow Thrower Repair Manual any PDF files. With these platforms, the world of PDF downloads is just a click away.

FAQs About Craftsman Snow Thrower Repair Manual Books

What is a Craftsman Snow Thrower Repair Manual PDF? A PDF (Portable Document Format) is a file format developed by Adobe that preserves the layout and formatting of a document, regardless of the software, hardware, or operating system used to view or print it. **How do I create a Craftsman Snow Thrower Repair Manual PDF?** There are several ways to create a PDF: Use software like Adobe Acrobat, Microsoft Word, or Google Docs, which often have built-in PDF creation tools. Print to PDF: Many applications and operating systems have a "Print to PDF" option that allows you to save a document as a PDF file instead of printing it on paper. Online converters: There are various online tools that can convert different file types to PDF. **How do I edit a Craftsman Snow Thrower Repair Manual PDF?** Editing a PDF can be done with software like Adobe Acrobat, which allows direct editing of text, images, and other elements within the PDF. Some free tools, like PDFescape or Smallpdf, also offer basic editing capabilities. **How do I convert a Craftsman Snow Thrower Repair Manual PDF to another file format?** There are multiple ways to convert a PDF to another format: Use online converters like Smallpdf, Zamzar, or Adobe Acrobat's export feature to convert PDFs to formats like Word, Excel, JPEG, etc. Software like Adobe Acrobat, Microsoft Word, or other PDF editors may have options to export or save PDFs in different formats. **How do I password-protect a Craftsman Snow Thrower Repair Manual PDF?** Most PDF editing software allows you to add password protection. In Adobe Acrobat, for instance, you can go to "File" -> "Properties" -> "Security" to set a password to restrict access or editing capabilities. Are there any free alternatives to Adobe Acrobat for working with PDFs? Yes, there are many free alternatives for working with PDFs, such as: LibreOffice: Offers PDF editing features. PDFsam: Allows splitting, merging, and editing PDFs. Foxit Reader: Provides basic PDF viewing and editing capabilities. How do I compress a PDF file?

You can use online tools like Smallpdf, ILovePDF, or desktop software like Adobe Acrobat to compress PDF files without significant quality loss. Compression reduces the file size, making it easier to share and download. Can I fill out forms in a PDF file? Yes, most PDF viewers/editors like Adobe Acrobat, Preview (on Mac), or various online tools allow you to fill out forms in PDF files by selecting text fields and entering information. Are there any restrictions when working with PDFs? Some PDFs might have restrictions set by their creator, such as password protection, editing restrictions, or print restrictions. Breaking these restrictions might require specific software or tools, which may or may not be legal depending on the circumstances and local laws.

Find Craftsman Snow Thrower Repair Manual :

labels of an animal cell

[keith moon stories](#)

king louis xv madame du barry

[kuta adding and subtracting integers](#)

kumon reviews 2022

[kevin trudeau fan club](#)

labor cost analysis example

[label the kidney and its associated structures](#)

label the squid

[kindergarten assessment test pdf free](#)

[labeled diagram of cell](#)

[kt tape bicep strain](#)

killing hope audiobook

[laguna del maule](#)

[lake cumberland boat towing](#)

Craftsman Snow Thrower Repair Manual :