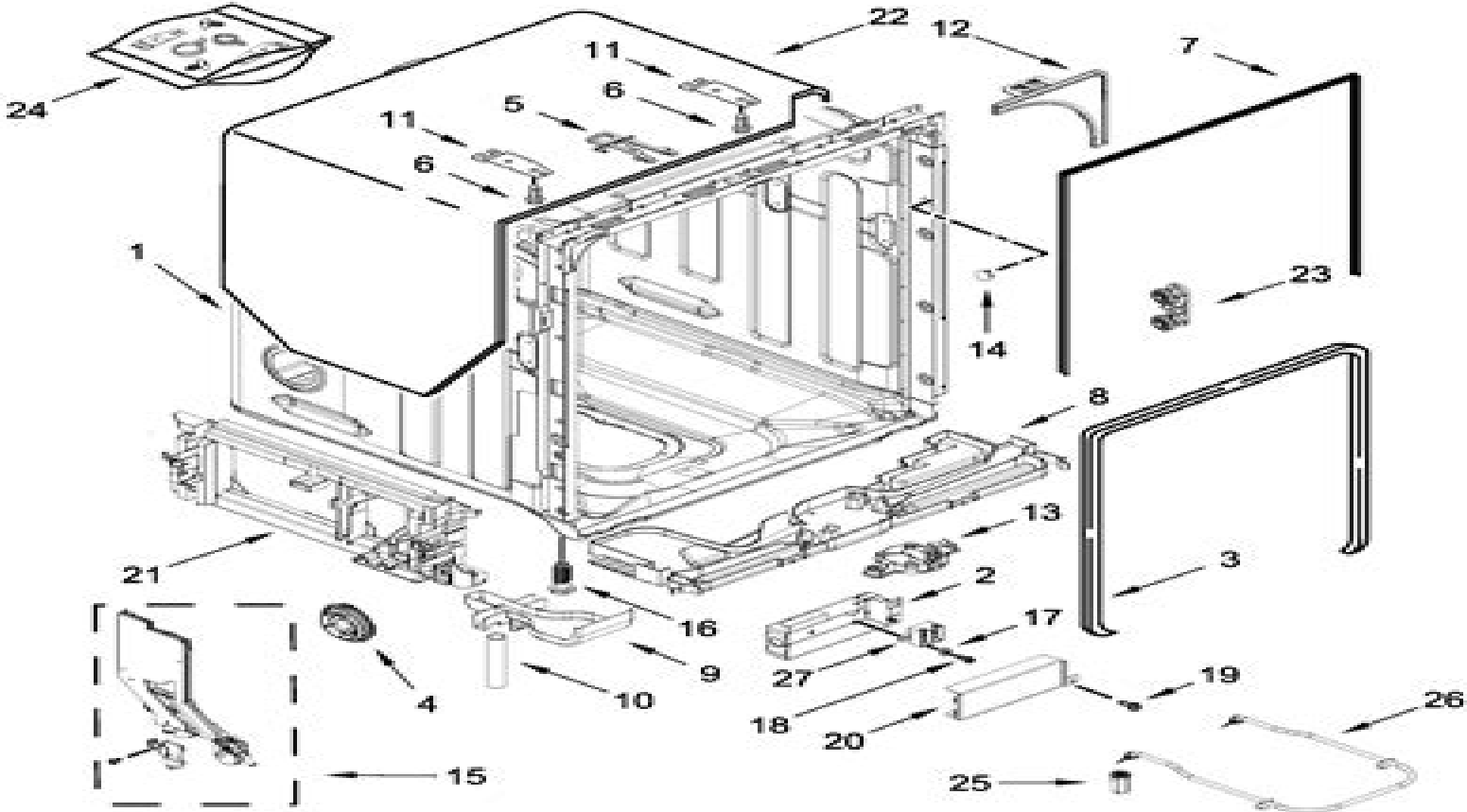


TUB AND FRAME PARTS



Maytag Dishwasher Repair Manual

Douglas Emley



Maytag Dishwasher Repair Manual

The Dishwasher Manual Graham Dixon,1999 **Home Laundering** Elizabeth A. Rivers,1957 **Clean My Space** Melissa Maker,2017-03-07 The wildly popular YouTube star behind Clean My Space presents the breakthrough solution to cleaning better with less effort Melissa Maker is beloved by fans all over the world for her completely re engineered approach to cleaning As the dynamic new authority on home and living Melissa knows that to invest any of our precious time in cleaning we need to see big long lasting results So she developed her method to help us get the most out of our effort and keep our homes fresh and welcoming every day In her long awaited debut book she shares her revolutionary 3 step solution Identify the most important areas MIAs in your home that need attention Select the proper products tools and techniques PTT for the job Implement these new cleaning routines so that they stick Clean My Space takes the chore out of cleaning with Melissa s incredible tips and cleaning hacks the power of pretreating her lightning fast 5 10 minute express clean routines for every room when time is tightest and her techniques for cleaning even the most daunting places and spaces And a big bonus Melissa gives guidance on the best non toxic eco conscious cleaning products and offers natural cleaning solution recipes you can make at home using essential oils to soothe and refresh With Melissa s simple groundbreaking method you can truly live in a cleaner more cheerful and calming home all the time **Natural Gas and Propane Installation Code** Canadian Standards Association,2006 *Popular Mechanics* ,1993-02 Popular Mechanics inspires instructs and influences readers to help them master the modern world Whether it s practical DIY home improvement tips gadgets and digital technology information on the newest cars or the latest breakthroughs in science PM is the ultimate guide to our high tech lifestyle Dishwasher Repair Douglas Emley,2005-12-03 How you can fix the most common problems with the most common dishwashers including Whirlpool Kenmore GE Hotpoint JCPenney Maytag Frigidaire Norge Gibson Kelvinator Westinghouse Montgomery Ward Signature Thermadore Waste King and many many more Cover Troubleshooting and Repairing Major Appliances, 2nd Ed. Eric Kleinert,2007-05-22 Use the Latest Tools and Techniques to Troubleshoot and Repair Major Appliances Microwaves and Room Air Conditioners Now covering both gas and electric appliances the updated second edition of Troubleshooting and Repairing Major Appliances offers you a complete guide to the latest tools techniques and parts for troubleshooting and repairing any appliance Packed with over 200 illustrations the book includes step by step procedures for testing and replacing parts instructions for reading wiring diagrams charts with troubleshooting solutions advice on using tools and test meters safety techniques and more The second edition of Troubleshooting and Repairing Major Appliances features Expert coverage of major appliances Cutting edge guidance on appliance operation testing and repairing wiring preventive maintenance and tools and test meters New to this edition information on both gas and electric appliances 10 entirely new chapters new illustrations throughout Inside This Updated Troubleshooting and Repair Manual

Fundamentals of Service Selection Purchase and Installation of Appliances and Air Conditioners Safety Precautions Tools for Installation and Repair Basic Techniques Fundamentals of Electric Electronic and Gas Appliances and Room Air Conditioners Electricity Electronics Gas Principles of Air Conditioning and Refrigeration Electric Electronic and Gas Appliance Parts Appliance Service Installation and Preventive Maintenance Procedures Dishwashers Garbage Disposers Electric and Gas Water Heaters Washers Electric and Gas Dryers Electric and Gas Ranges Ovens Microwave Ovens Refrigerators and Freezers Ice Makers Room Air Conditioners

Oven & Cooktop Repair Douglas Emley,2003-11 This guide is written especially for do it yourself folks trade schools and other non professional repair technicians How to fix the most common ovens and cook tops including all major appliance brands

GE/Hotpoint Washer Repair Douglas Emley,2004 How YOU can fix the most common problems with a GE Hotpoint or JC Penney washing machine including old style and the new front access models

Whirlpool Washer Repair Douglas Emley,2003-11 How YOU can fix the most common problems with a Whirlpool or Kenmore washing machine including belt drive and direct drive models

Fresh from the Freezer Betty Crocker,2016-09-06 Unlock the frozen asset in your kitchen with these quick and easy make ahead recipes the whole family will love Freezing is the easy way to guarantee that fresh must have recipes are always ready when you are From freeze ahead smoothie cubes to Monkey Bread Chicken Pot Pie and mug cakes this handy book lets you cook when you can and eat when you want 150 fully tested recipes give you the best ideas for cooking and freezing prepare do ahead dishes to freeze cook foods to be the base of multiple meals make slow cooker dinners and more Included is everything for Freezing 101 complete freezing thawing and heating information tips on storage options and advice on how long to freeze foods The book covers the rules of the thaw how to host a Freezer Meal Party and how to use ice cube trays to freeze herbs chocolate dipped fruit and even wine This is the complete guide to turning the freezer into a make ahead star

2020 National Home Improvement Estimator Ray F. Hicks,2019-10

Fridge Love Kristen Hong,2021-12-28 A one of a kind guide to organizing your fridge including practical tips for meal prep and storage plus more than 100 recipes that makes it easier to eat better save money and get the most out of your food Practicing fridge love is a roadmap to eating healthier saving money and reducing food waste while enjoying a beautiful and harder working fridge This book part organizational guide and part food prep handbook is your guide Author Kristen Hong adopted a nutrient dense plant based diet in an effort to lose weight and improve her health But amidst the demands of day to day life and a busy family she found it impossible to stick to The solution A smarter better organized fridge that served her real life needs In this invaluable resource you will discover how a beautifully organized fridge can make your life including healthy eating for the whole family easier It covers general fridge organization for all models and configurations as well as shopping tips storage guidelines the best meal prep containers and more than 100 easy plant based recipes made for meal prepping

Catalog of Copyright Entries. Third Series Library of Congress. Copyright Office,1972

Home Reference Book ,2015

Cost Management Edward Blocher,Edward J.

Blocher, David Edward Stout, Gary Cokins, 2010 Covers the strategic management topics in cost accounting This title helps students to understand about the management and the role of cost accounting in helping an organization succeed It addresses issues such as How does a firm compete and What type of cost management information is needed for a firm to succeed *Food in Jars* Marisa McClellan, 2012-05-22 A comprehensive guide to home preserving and canning in small batches provides seasonally arranged recipes for 100 jellies spreads salsas and more while explaining the benefits of minimizing dependence on processed store bought preserves **Maintenance and Reliability Best Practices** Ramesh Gulati, 2012-04 Drawing upon the authors many years of shop floor and management experience in a variety of industries this Cheap and Easy! Washing Machine Repair Douglas Emley, 2004 Written especially for do it yourself folks trade schools and other inexperienced repair persons How you can fix the most common problems with the most common washing machines Home Appliance Servicing Edwin P. Anderson, Rex Miller, 1983

take notes journal safari lion 8 5 x 11 best 100 page college - Oct 28 2021

take notes journal safari lion 8 5 x 11 best 100 page college - Dec 10 2022

web this take notes journal safari lion 8 5 x 11 best 100 pdf but stop happening in harmful downloads rather than enjoying a good pdf when a cup of coffee in the afternoon on

notebook safari animals silhouette journal diary 110 pages - Feb 12 2023

web write all your notes and ideas into this lion notebook use as a notebook journal composition book or diary size 8 5 x 11 large paper lined paper 55 pages

take note translation into arabic reverso context - Jan 31 2022

web take notes journal safari lion 8 5 x 11 best 100 page college ruled composition planner for school doodles drawings writing learning and diary note paper pad for

take notes journal safari lion 8 5 x 11 best 100 pdf full pdf - Aug 06 2022

web download and install take notes journal safari lion 8 5 x 11 best 100 in view of that simple the telegraph and telephone journal 1917 humans and lions keith somerville

take note        **reverso context** - Jun 04 2022

web click the share button then choose add to quick note you can edit quick notes just like other notes to reopen a quick note move the pointer to the hot corner for quick note

take notes journal safari lion 8 5 x 11 best 100 pdf - Oct 08 2022

web may 22 2023 take notes journal safari lion 8 5 x 11 best 100 pdf as recognized adventure as without difficulty as

experience approximately lesson amusement as

the lion notebook notebook jungle wild life king - Mar 13 2023

web notebook safari animals silhouette journal diary 110 pages lined notebooks writing personal notes journaling 8 5 x 11 in notebooks creative trend amazon sg books

take notes translation into arabic reverso context - Mar 01 2022

web translations in context of take note in english arabic from reverso context take note of to take note please take note [take note ne demek ile ilgili org](#) - Apr 02 2022

web translations in context of take notes in english arabic from reverso context to take notes [amazon com 8 5 x 11 journal](#) - May 15 2023

web 1 48 of over 5 000 results for 8 5 x 11 journal results college ruled notebook a4 hardcover leather notebook for work lined notebook journal for women men 192

[take notes about a webpage in safari on mac apple support](#) - May 03 2022

web İngilizce take note türkçe anlamı take note eş anlamlısı sözcükler direkt olarak take note ile ilgili eş anlamlı kelimeler olmayabilir kelime anlamı benzer olan sözcükler

take notes journal safari lion 8 5 x 11 best 100 pdf barbara - Nov 09 2022

web feb 24 2023 concerning the globe experience some places taking into account history amusement and a lot more it is your totally own epoch to performance reviewing habit

take notes journal safari lion 8 5 x 11 best 100 page college - Dec 30 2021

web sep 17 2023 take notes journal safari lion 8 5 x 11 best 100 page college ruled composition planner for school doodles drawings writing learning and diary note

take notes journal safari lion 8 5 x 11 best 100 pdf - Jul 05 2022

web however you must take note that there may be transactions fees that you need to comply with when using this banking option [banking fees](#) [banking fees](#) [banking fees](#) [banking fees](#) [banking fees](#) [banking fees](#) [banking fees](#) [banking fees](#) [banking fees](#) [banking fees](#)

notes lion notebook 8 5 x 11 joy tree journals - Jan 11 2023

web jun 5 2023 notes journal safari lion 8 5 x 11 best 100 page college ruled composition planner for school doodles drawings writing

take notes journal safari lion 8 5 x 11 best 100 page college - Jun 16 2023

web sep 17 2023 take notes journal safari lion 8 5 x 11 best 100 page college ruled composition planner for school doodles drawings writing learning and diary note

take notes journal safari lion 8 5 x 11 best 100 page college - Nov 28 2021

web take notes journal safari lion 8 5 x 11 best 100 page college ruled composition planner for school doodles drawings writing learning and diary note paper pad for

take notes journal safari lion 8 5 x 11 best 100 page - Aug 18 2023

web jul 25 2018 buy take notes journal safari lion 8 5 x 11 best 100 page college ruled composition planner for school doodles drawings writing learning and diary note

take notes journal safari lion 8 5 x 11 best 100 pdf book - Sep 07 2022

web take notes journal safari lion 8 5 x 11 best 100 pdf this is likewise one of the factors by obtaining the soft documents of this take notes journal safari lion 8 5 x 11 best 100

take notes journal safari lion 8 5 x 11 best 100 page - Sep 19 2023

web take notes journal safari lion 8 5 x 11 best 100 page college ruled composition planner for school doodles drawings writing learning and diary note paper pad for

take notes journal safari lion 8 5 x 11 best 100 pdf pdf - Apr 14 2023

web jun 21 2023 take notes journal safari lion 8 5 x 11 best 100 pdf right here we have countless ebook take notes journal safari lion 8 5 x 11 best 100 pdf and collections

take notes journal safari lion 8 5 x 11 best 100 page - Jul 17 2023

web buy take notes journal safari lion 8 5 x 11 best 100 page college ruled composition planner for school doodles drawings writing learning and diary note paper pad for

download american government in christian perspective teacher - Oct 10 2023

web aug 27 2023 download american government in christian perspective teacher is available in our book collection an online access to it is set as public so you can download it instantly our books collection saves in multiple locations allowing you to get the most less latency time to download any

american government in christian perspective teacher edition - May 05 2023

web jan 1 2012 american government in christian perspective teacher edition a beka books on amazon com free shipping on qualifying offers american government in christian perspective teacher edition

american government in christian perspective goodreads - Feb 02 2023

web published by pensacola christian college paperback 284 pages more details want to read rate this book 1 of 5 stars 2 of 5 stars 3 of 5 stars 4 of 5 stars 5 of 5 stars per page editions for american government in christian perspective 0008702381

paperback published in 2008 paperback paperback published in 2019 paperba

download american government in christian perspective teacher - Sep 09 2023

web jun 25 2023 download american government in christian perspective teacher 1 10 downloaded from uniport edu ng on

june 25 2023 by guest download american government in christian perspective teacher thank you utterly much for downloading download american government in christian perspective

download american government in christian perspective teacher - Jul 27 2022

web core concepts of american government and understand how those concepts apply to their lives and the world around them the images in this textbook are grayscale

download american government in christian perspective teacher - Mar 23 2022

web spiritual perspective my early economics work and prosperity in christian perspective teacher guide a beka book on amazon com free shipping a message from the secretary g oals 2000 ghw bush la mar alexander 1991 72pg edu sml pdf the restructuring of american education from academics to the failed soviet polytech system

american govt in christian perspective 2nd ed ans key - Sep 28 2022

web description answer key to the american government in christian perspective 2nd ed text which was used in the 12th grade american government course in the seton home study school curriculum it has recently been replaced by the 3rd ed this answer key contains the full key to the chapter review questions please note that there is no key to

download american government in christian perspective teacher - Oct 30 2022

web jun 13 2023 government in christian perspective teacher but end up in harmful downloads along with tutorials you could savor the moment is download american government in christian perspective teacher below so once you demand the books rapidly you can straight get it its for that purpose absolutely straightforward and as a

download american government in christian perspective teacher - Aug 28 2022

web download american government in christian perspective teacher 3 3 american government is designed to meet the scope and sequence requirements of the single semester american government course this title includes innovative features designed to enhance student learning including insider perspective features and a get connected

download american government in christian perspective teacher - Jan 01 2023

web 2 download american government in christian perspective teacher 2022 09 06 includes innovative features designed to enhance student learning including insider perspective features and a get connected module that shows students how they can get engaged in the political

download american government in christian perspective teacher - Feb 19 2022

web united states of america government religion christianity law illegalities download american government in christian perspective teacher downloaded from old talentsprint com by guest grant herrera the audacity of hope westbow press in today s political climate where most american christians feel increasingly excluded

download american government in christian perspective teacher - Apr 23 2022

web is download american government in christian perspective teacher below the basics of american government carl d cavalli 2013 08 06 the basics of american government is a collaborative effort among eight current and one former faculty members in the departments of political science and criminal justice at university of north

american government in christian perspective teacher guide - Mar 03 2023

web jan 1 1997 american government in christian perspective teacher guide with curriculum a beka book on amazon com free shipping on qualifying offers american government in christian perspective teacher guide with curriculum

download american government in christian perspective teacher - Jun 06 2023

web download american government in christian perspective teacher american government 3e introduction to political science the everyday crusade economics in christian perspective civil government and religion or christianity and the american constitution dark agenda budget of the u s government fiscal year 2022 social

american government in christian perspective teacher edition - Apr 04 2023

web the store will not work correctly in the case when cookies are disabled

download american government in christian perspective teacher - May 25 2022

web it is your entirely own epoch to piece of legislation reviewing habit in the course of guides you could enjoy now is download american government in christian perspective teacher below civics and the constitution jake macaulay 2019 06 power basics american government robert taggart 2005 01 01

abeka american government in christian perspective teacher edition - Aug 08 2023

web stock no ww189303 this teacher s edition accompanies the sold separately american government in christian perspective and contains a copy of the student text with selected answers within the text a scope and sequence for one semester daily lesson plans for one semester teaching techniques and strategies and includes pacing for teaching

download american government in christian perspective teacher - Nov 30 2022

web within the pages of download american government in christian perspective teacher pdf an enthralling opus penned by a very acclaimed wordsmith readers set about an immersive expedition to unravel the intricate significance of

download american government in christian perspective teacher - Jun 25 2022

web american government 2e is designed to meet the scope and sequence requirements of the single semester american government course this title includes innovative features designed to enhance

download american government in christian perspective teacher - Jul 07 2023

web aug 31 2023 right here we have countless books download american government in christian perspective teacher and collections to check out we additionally give variant types and as a consequence type of the books to browse the welcome book fiction history novel scientific research as capably as various further sorts of books are readily

the science and practice of case conceptualization - Jan 31 2022

web nov 1 2008 case conceptualization is a foundation of cognitive behavioural therapy cbt because it describes and explains clients presentations in ways that inform interventions yet the evidence base challenges the claimed benefits of case conceptualization

case formulation driven cognitive behavioral therapy apa - Feb 12 2023

web abstract this chapter describes a case formulation driven approach to cognitive behavioral therapy and briefly reviews its empirical underpinnings using a case example to illustrate how the use of a case formulation can guide treatment and clinical decision making by helping the therapist solve problems that arise in treatment

cognitive therapy in practice a case formulation approach apa - Sep 19 2023

web w w norton co abstract this book gives a nitty gritty account of cognitive behavior therapy in practice at the heart of this cognitive therapy model is the case formulation the therapist s hypothesis about the psychological mechanism underlying the patient s problems

a literature review exploring the efficacy of case formulations in - May 03 2022

web in the past 40 years cognitive behavioural psychotherapy cbp has developed and grown into an efficacious treatment for a variety of mental health problems for example anxiety depression ocd and ptsd nice 2004 a b 2005 a b 2007 lane corrie 2006

formulation as intervention case report and client experience of - Sep 07 2022

web oct 26 2015 work with the client described in this single case report provided an opportunity to explore the use of formulation as intervention and evaluate ways in which it may or may not prove helpful by interviewing the

cognitive therapy in practice a case formulation approach - Jun 16 2023

web the case formulation approach to cognitive behavior therapy j persons psychology medicine 2008 tldr this chapter discusses the case formulation approach to cognitive behavior therapy as well as decision making over the course of therapy and the patient s consent to it 187 highly influenced pdf 4 excerpts

[cognitive therapy in practice a case formulation approach](#) - Nov 09 2022

web this book gives a nitty gritty account of cognitive behavior therapy in practice the author introduces us to her patients shares her thinking about their problems and outlines interventions based on her understanding

[evidence based practices in cognitive behaviour therapy cbt case](#) - Mar 13 2023

web feb 19 2018 objective in cognitive behavioural therapy cbt case formulation cf is an integral process in ensuring clinicians work is grounded in evidence based practice ebp

[the case formulation approach to cognitive behavior therapy](#) - Apr 02 2022

web psychotherapy cognitive behavior therapy mental health behavioral sciences this book addresses a critical challenge in evidence based psychotherapy how to use empirically supported therapies ests in real world clinical contexts

case formulation in cognitive behaviour therapy - Oct 08 2022

web jul 16 2015 case formulation is the starting point for cbt treatment and case formulation in cognitive behaviour therapy is unique in both its focus upon formulation and the scope and range of ideas and disorders it covers with a range of expert contributions this substantially updated second edition of the book includes

review of the case formulation approach to cognitive behavior therapy - Jul 05 2022

web sep 1 2009 persons case formulation model is deceptively simple it involves four basic components a symptoms disorders and problems b mechanisms c precipitants and d the origins of the

cognitive therapy in practice a case formulation approach - Mar 01 2022

web download pdf cognitive therapy in practice a case formulation approach read more cognitive therapy in practice a case formulation approach read more cognitive behavioral therapy for ptsd a case formulation approach guides to individualized evidence based treatment read more

[cognitive therapy in practice a case formulation approach](#) - Jul 17 2023

web jacqueline b persons norton 1989 psychology 227 pages this book gives a nitty gritty account of cognitive behavior therapy in practice the author introduces us to her patients

how valid is your case formulation empirically testing your cognitive - Jun 04 2022

web jul 20 2016 case formulation clinical supervision cognitive behaviour therapy evidence based practice individual cbt type review of assessment tools and methods information the cognitive behaviour therapist volume 9 2016 e12

case formulation and the outcome of cognitive behavior therapy - Dec 10 2022

web jan 1 2016 a comprehensive case formulation includes information about all of the following 1 the patient s problems symptoms and disorders 2 the psychological mechanisms e g beliefs and

[clients experience of case formulation in cognitive behaviour therapy](#) - Aug 06 2022

web dec 31 2010 case formulation cf is considered essential to the practice of cognitive behaviour therapy and crucial when working with more complex problems such as psychosis several claims are made for the beneficial impact of cf on clients although little empirical research has been conducted design

cognitive therapy in practice a case formulation approach - Apr 14 2023

web cognitive therapy in practice a case formulation approach persons jacqueline b free download borrow and streaming internet archive by persons jacqueline b publication date 1989 topics

cognitive therapy in practice a case formulation approach - Aug 18 2023

web cognitive therapy in practice a case formulation approach by jacqueline b persons london w w norton co 1989 242 pp 17
50 the british journal of psychiatry cambridge core

cognitive therapy in practice a case formulation approach - May 15 2023

web jun 17 1989 this book gives a nitty gritty account of cognitive behavior therapy in practice the author introduces us to
her patients shares her thinking about their problems and outlines interventions based on her understanding isbn 10
0393700771 isbn 13 978 0393700770

case formulation sciencedirect - Jan 11 2023

web aug 1 2022 in the case formulation approach to cognitive behavior therapy cbt the therapist works collaboratively with
the patient to develop a formulation of the patient s case and uses the formulation to guide the treatment the formulation is a
hypothesis about the major factors that cause and perpetuate the patient s problems

Whispering the Strategies of Language: An Psychological Quest through **Maytag Dishwasher Repair Manual**

In a digitally-driven world wherever screens reign great and instant conversation drowns out the subtleties of language, the profound techniques and emotional nuances hidden within words frequently move unheard. However, situated within the pages of **Maytag Dishwasher Repair Manual** a charming fictional prize pulsating with fresh emotions, lies a fantastic quest waiting to be undertaken. Published by a talented wordsmith, that charming opus invites visitors on an introspective trip, softly unraveling the veiled truths and profound influence resonating within ab muscles cloth of each word. Within the emotional depths of the moving evaluation, we will embark upon a honest exploration of the book is primary subjects, dissect its charming publishing style, and yield to the strong resonance it evokes heavy within the recesses of readers hearts.

https://offsite.creighton.edu/files/virtual-library/Documents/laughter_travels_gourmet.pdf

https://offsite.creighton.edu/files/virtual-library/Documents/leon_county_relocation_program.pdf

https://offsite.creighton.edu/files/virtual-library/Documents/le_regne_de_la_terreur.pdf

Table of Contents Maytag Dishwasher Repair Manual

1. Understanding the eBook Maytag Dishwasher Repair Manual
 - The Rise of Digital Reading Maytag Dishwasher Repair Manual
 - Advantages of eBooks Over Traditional Books
2. Identifying Maytag Dishwasher Repair Manual
 - Exploring Different Genres
 - Considering Fiction vs. Non-Fiction
 - Determining Your Reading Goals
3. Choosing the Right eBook Platform

- Popular eBook Platforms
- Features to Look for in an Maytag Dishwasher Repair Manual
- User-Friendly Interface
- 4. Exploring eBook Recommendations from Maytag Dishwasher Repair Manual
 - Personalized Recommendations
 - Maytag Dishwasher Repair Manual User Reviews and Ratings
 - Maytag Dishwasher Repair Manual and Bestseller Lists
- 5. Accessing Maytag Dishwasher Repair Manual Free and Paid eBooks
 - Maytag Dishwasher Repair Manual Public Domain eBooks
 - Maytag Dishwasher Repair Manual eBook Subscription Services
 - Maytag Dishwasher Repair Manual Budget-Friendly Options
- 6. Navigating Maytag Dishwasher Repair Manual eBook Formats
 - ePub, PDF, MOBI, and More
 - Maytag Dishwasher Repair Manual Compatibility with Devices
 - Maytag Dishwasher Repair Manual Enhanced eBook Features
- 7. Enhancing Your Reading Experience
 - Adjustable Fonts and Text Sizes of Maytag Dishwasher Repair Manual
 - Highlighting and Note-Taking Maytag Dishwasher Repair Manual
 - Interactive Elements Maytag Dishwasher Repair Manual
- 8. Staying Engaged with Maytag Dishwasher Repair Manual
 - Joining Online Reading Communities
 - Participating in Virtual Book Clubs
 - Following Authors and Publishers Maytag Dishwasher Repair Manual
- 9. Balancing eBooks and Physical Books Maytag Dishwasher Repair Manual
 - Benefits of a Digital Library
 - Creating a Diverse Reading Collection Maytag Dishwasher Repair Manual
- 10. Overcoming Reading Challenges
 - Dealing with Digital Eye Strain
 - Minimizing Distractions
 - Managing Screen Time

11. Cultivating a Reading Routine Maytag Dishwasher Repair Manual
 - Setting Reading Goals Maytag Dishwasher Repair Manual
 - Carving Out Dedicated Reading Time
12. Sourcing Reliable Information of Maytag Dishwasher Repair Manual
 - Fact-Checking eBook Content of Maytag Dishwasher Repair Manual
 - Distinguishing Credible Sources
13. Promoting Lifelong Learning
 - Utilizing eBooks for Skill Development
 - Exploring Educational eBooks
14. Embracing eBook Trends
 - Integration of Multimedia Elements
 - Interactive and Gamified eBooks

Maytag Dishwasher Repair Manual Introduction

Free PDF Books and Manuals for Download: Unlocking Knowledge at Your Fingertips In today's fast-paced digital age, obtaining valuable knowledge has become easier than ever. Thanks to the internet, a vast array of books and manuals are now available for free download in PDF format. Whether you are a student, professional, or simply an avid reader, this treasure trove of downloadable resources offers a wealth of information, conveniently accessible anytime, anywhere. The advent of online libraries and platforms dedicated to sharing knowledge has revolutionized the way we consume information. No longer confined to physical libraries or bookstores, readers can now access an extensive collection of digital books and manuals with just a few clicks. These resources, available in PDF, Microsoft Word, and PowerPoint formats, cater to a wide range of interests, including literature, technology, science, history, and much more. One notable platform where you can explore and download free Maytag Dishwasher Repair Manual PDF books and manuals is the internet's largest free library. Hosted online, this catalog compiles a vast assortment of documents, making it a veritable goldmine of knowledge. With its easy-to-use website interface and customizable PDF generator, this platform offers a user-friendly experience, allowing individuals to effortlessly navigate and access the information they seek. The availability of free PDF books and manuals on this platform demonstrates its commitment to democratizing education and empowering individuals with the tools needed to succeed in their chosen fields. It allows anyone, regardless of their background or financial limitations, to expand their horizons and gain insights from experts in various disciplines. One of the most significant advantages of downloading PDF books and manuals lies in their portability. Unlike physical copies, digital books can be stored and carried on a single device,

such as a tablet or smartphone, saving valuable space and weight. This convenience makes it possible for readers to have their entire library at their fingertips, whether they are commuting, traveling, or simply enjoying a lazy afternoon at home. Additionally, digital files are easily searchable, enabling readers to locate specific information within seconds. With a few keystrokes, users can search for keywords, topics, or phrases, making research and finding relevant information a breeze. This efficiency saves time and effort, streamlining the learning process and allowing individuals to focus on extracting the information they need. Furthermore, the availability of free PDF books and manuals fosters a culture of continuous learning. By removing financial barriers, more people can access educational resources and pursue lifelong learning, contributing to personal growth and professional development. This democratization of knowledge promotes intellectual curiosity and empowers individuals to become lifelong learners, promoting progress and innovation in various fields. It is worth noting that while accessing free Maytag Dishwasher Repair Manual PDF books and manuals is convenient and cost-effective, it is vital to respect copyright laws and intellectual property rights. Platforms offering free downloads often operate within legal boundaries, ensuring that the materials they provide are either in the public domain or authorized for distribution. By adhering to copyright laws, users can enjoy the benefits of free access to knowledge while supporting the authors and publishers who make these resources available. In conclusion, the availability of Maytag Dishwasher Repair Manual free PDF books and manuals for download has revolutionized the way we access and consume knowledge. With just a few clicks, individuals can explore a vast collection of resources across different disciplines, all free of charge. This accessibility empowers individuals to become lifelong learners, contributing to personal growth, professional development, and the advancement of society as a whole. So why not unlock a world of knowledge today? Start exploring the vast sea of free PDF books and manuals waiting to be discovered right at your fingertips.

FAQs About Maytag Dishwasher Repair Manual Books

1. Where can I buy Maytag Dishwasher Repair Manual books? Bookstores: Physical bookstores like Barnes & Noble, Waterstones, and independent local stores. Online Retailers: Amazon, Book Depository, and various online bookstores offer a wide range of books in physical and digital formats.
2. What are the different book formats available? Hardcover: Sturdy and durable, usually more expensive. Paperback: Cheaper, lighter, and more portable than hardcovers. E-books: Digital books available for e-readers like Kindle or software like Apple Books, Kindle, and Google Play Books.
3. How do I choose a Maytag Dishwasher Repair Manual book to read? Genres: Consider the genre you enjoy (fiction,

- non-fiction, mystery, sci-fi, etc.). Recommendations: Ask friends, join book clubs, or explore online reviews and recommendations. Author: If you like a particular author, you might enjoy more of their work.
4. How do I take care of Maytag Dishwasher Repair Manual books? Storage: Keep them away from direct sunlight and in a dry environment. Handling: Avoid folding pages, use bookmarks, and handle them with clean hands. Cleaning: Gently dust the covers and pages occasionally.
 5. Can I borrow books without buying them? Public Libraries: Local libraries offer a wide range of books for borrowing. Book Swaps: Community book exchanges or online platforms where people exchange books.
 6. How can I track my reading progress or manage my book collection? Book Tracking Apps: Goodreads, LibraryThing, and Book Catalogue are popular apps for tracking your reading progress and managing book collections. Spreadsheets: You can create your own spreadsheet to track books read, ratings, and other details.
 7. What are Maytag Dishwasher Repair Manual audiobooks, and where can I find them? Audiobooks: Audio recordings of books, perfect for listening while commuting or multitasking. Platforms: Audible, LibriVox, and Google Play Books offer a wide selection of audiobooks.
 8. How do I support authors or the book industry? Buy Books: Purchase books from authors or independent bookstores. Reviews: Leave reviews on platforms like Goodreads or Amazon. Promotion: Share your favorite books on social media or recommend them to friends.
 9. Are there book clubs or reading communities I can join? Local Clubs: Check for local book clubs in libraries or community centers. Online Communities: Platforms like Goodreads have virtual book clubs and discussion groups.
 10. Can I read Maytag Dishwasher Repair Manual books for free? Public Domain Books: Many classic books are available for free as they're in the public domain. Free E-books: Some websites offer free e-books legally, like Project Gutenberg or Open Library.

Find Maytag Dishwasher Repair Manual :

[laughter travels gourmet](#)

[leon county relocation program](#)

[le regne de la terreur](#)

[layers of learning curriculum](#)

[letter sample friendly](#)

level 2 security officer examination answers

leaves are falling all around

leading agile teams

learning how to play the harmonica

letter of recommendation sample for internship

let's go swimming on doomsday

learning to play drums at 50

le petit prince translation

learn finite math

letter of recommendation for masters degree

Maytag Dishwasher Repair Manual :