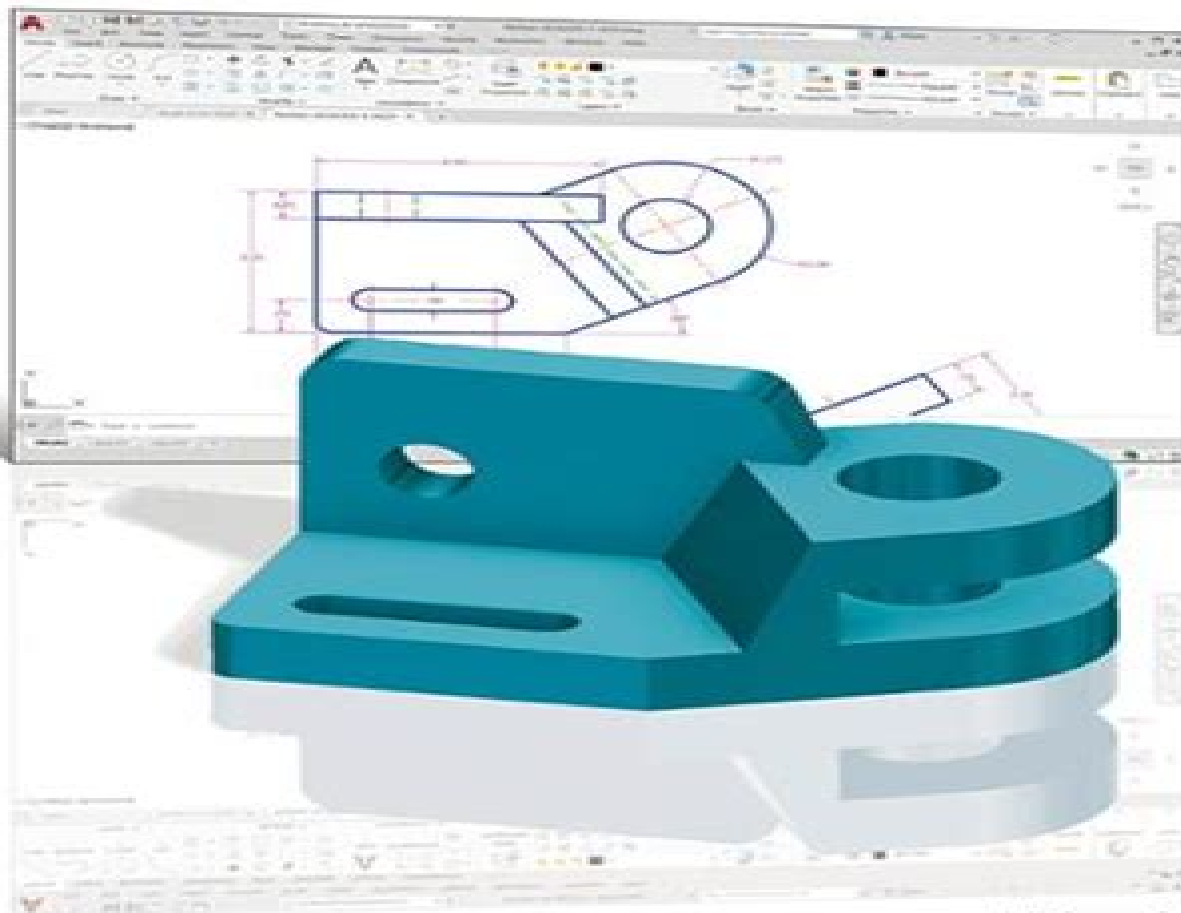


AutoCAD 2021 Tutorial

First Level 2D Fundamentals

Videos
Includes Extensive
Video Training



Randy H. Shih
Videos by Luke Jumper

SDC
PUBLICATIONS

Better Textbooks. Lower Prices.
www.SDCpublications.com



ACCESS CODE
UNIQUE CODE INSIDE

Autocad Tutorial Manual Download

Shawna Lockhart



Autocad Tutorial Manual Download

AutoCAD 2021 Tutorial First Level 2D Fundamentals Randy Shih, 2020-07 The primary goal of AutoCAD 2021 Tutorial First Level 2D Fundamentals is to introduce the aspects of Computer Aided Design and Drafting CADD This text is intended to be used as a training guide for students and professionals This text covers AutoCAD 2021 and the lessons proceed in a pedagogical fashion to guide you from constructing basic shapes to making multiview drawings This textbook contains a series of eleven tutorial style lessons designed to introduce beginning CAD users to AutoCAD 2021 It takes a hands on exercise intensive approach to all the important 2D CAD techniques and concepts This text is also helpful to AutoCAD users upgrading from a previous release of the software The new improvements and key enhancements of the software are incorporated into the lessons The 2D CAD techniques and concepts discussed in this text are also designed to serve as the foundation to the more advanced parametric feature based CAD packages such as Autodesk Inventor The basic premise of this book is that the more designs you create using AutoCAD 2021 the better you learn the software With this in mind each lesson introduces a new set of commands and concepts building on previous lessons This book is intended to help readers establish a good basis for exploring and growing in the exciting field of Computer Aided Engineering Video Training Included with every new copy of AutoCAD 2021 Tutorial First Level 2D Fundamentals is access to extensive video training The video training parallels the exercises found in the text and is designed to be watched first before following the instructions in the book However the videos do more than just provide you with click by click instructions Author Luke Jumper also includes a brief discussion of each tool as well as rich insight into why and how the tools are used Luke isn't just telling you what to do he's showing and explaining to you how to go through the exercises while providing clear descriptions of the entire process It's like having him there guiding you through the book These videos will provide you with a wealth of information and bring the text to life They are also an invaluable resource for people who learn best through a visual experience These videos deliver a comprehensive overview of the 2D tools found in AutoCAD and perfectly complement and reinforce the exercises in the book

Tutorial Guide to AutoCAD 2020 Shawna Lockhart, 2019 Tutorial Guide to AutoCAD 2020 provides a step by step introduction to AutoCAD with commands presented in the context of each tutorial In fifteen clear and comprehensive chapters author Shawna Lockhart guides you through all the important commands and techniques in AutoCAD 2020 from 2D drawing to solid modeling and finally finishing with rendering In each lesson the author provides step by step instructions with frequent illustrations showing exactly what appears on the AutoCAD screen Later individual steps are no longer provided and you are asked to apply what you've learned by completing sequences on your own A carefully developed pedagogy reinforces this cumulative learning approach and supports you in becoming a skilled AutoCAD user Tutorial Guide to AutoCAD 2020 begins with three Getting Started chapters that include information to get readers of all levels prepared for

the tutorials The author includes tips that offer suggestions and warnings as you progress through the tutorials Key Terms and Key Commands are listed at the end of each chapter to recap important topics and commands learned in each tutorial Also a glossary of terms and Commands Summary list the key commands used in the tutorials Each chapter concludes with end of chapter problems providing challenges to a range of abilities in mechanical electrical and civil engineering as well as architectural problems

Tutorial Guide to AutoCAD 2017 Shawna Lockhart,2016-05 Tutorial Guide to AutoCAD 2017 provides a step by step introduction to AutoCAD with commands presented in the context of each tutorial In fifteen clear and comprehensive chapters author Shawna Lockhart guides readers through all the important commands and techniques in AutoCAD 2017 from 2D drawing to solid modeling and finally finishing with rendering In each lesson the author provides step by step instructions with frequent illustrations showing exactly what appears on the AutoCAD screen Later individual steps are no longer provided and readers are asked to apply what they ve learned by completing sequences on their own A carefully developed pedagogy reinforces this cumulative learning approach and supports readers in becoming skilled AutoCAD users Tutorial Guide to AutoCAD 2017 begins with three Getting Started chapters that include information to get readers of all levels prepared for the tutorials The author includes tips that offer suggestions and warnings as you progress through the tutorials Key Terms and Key Commands are listed at the end of each chapter to recap important topics and commands learned in each tutorial Also a glossary of terms and Commands Summary list the key commands used in the tutorials Each chapter concludes with end of chapter problems providing challenges to a range of abilities in mechanical electrical and civil engineering as well as architectural problems

Tutorial Guide to AutoCAD 2022 Shawna Lockhart, Tutorial Guide to AutoCAD 2022 provides a step by step introduction to AutoCAD with commands presented in the context of each tutorial In fifteen clear and comprehensive chapters author Shawna Lockhart guides you through all the important commands and techniques in AutoCAD 2022 from 2D drawing to solid modeling and finally finishing with rendering In each lesson the author provides step by step instructions with frequent illustrations showing exactly what appears on the AutoCAD screen Later individual steps are no longer provided and you are asked to apply what you ve learned by completing sequences on your own A carefully developed pedagogy reinforces this cumulative learning approach and supports you in becoming a skilled AutoCAD user Tutorial Guide to AutoCAD 2022 begins with three Getting Started chapters that include information to get readers of all levels prepared for the tutorials The author includes tips that offer suggestions and warnings as you progress through the tutorials Key Terms and Key Commands are listed at the end of each chapter to recap important topics and commands learned in each tutorial Also a glossary of terms and Commands Summary list the key commands used in the tutorials Each chapter concludes with end of chapter problems providing challenges to a range of abilities in mechanical electrical and civil engineering as well as architectural problems

[Tutorial Guide to AutoCAD 2014](#) Shawna Lockhart,2013-05-29 A Tutorial Guide to AutoCAD 2014 provides a step by step introduction to AutoCAD with commands

presented in the context of each tutorial In fifteen clear and comprehensive chapters author Shawna Lockhart guides readers through all the important commands and techniques in AutoCAD 2014 from 2D drawing to solid modeling and finally finishing with rendering In each lesson the author provides step by step instructions with frequent illustrations showing exactly what appears on the AutoCAD screen Later individual steps are no longer provided and readers are asked to apply what they ve learned by completing sequences on their own A carefully developed pedagogy reinforces this cumulative learning approach and supports readers in becoming skilled AutoCAD users A Tutorial Guide to AutoCAD 2014 begins with three Getting Started chapters that include information to get readers of all levels prepared for the tutorials The author includes tips that offer suggestions and warnings as you progress through the tutorials Key Terms and Key Commands are listed at the end of each chapter to recap important topics and commands learned in each tutorial Also a glossary of terms and Commands Summary lists the key commands used in the tutorials Each chapter concludes with end of chapter problems providing challenges to a range of abilities in mechanical electrical and civil engineering as well as architectural problems

Tutorial Guide to AutoCAD 2018 Shawna Lockhart,2017-09-07 Tutorial Guide to AutoCAD 2018 provides a step by step introduction to AutoCAD with commands presented in the context of each tutorial In fifteen clear and comprehensive chapters author Shawna Lockhart guides readers through all the important commands and techniques in AutoCAD 2018 from 2D drawing to solid modeling and finally finishing with rendering In each lesson the author provides step by step instructions with frequent illustrations showing exactly what appears on the AutoCAD screen Later individual steps are no longer provided and readers are asked to apply what they ve learned by completing sequences on their own A carefully developed pedagogy reinforces this cumulative learning approach and supports readers in becoming skilled AutoCAD users Tutorial Guide to AutoCAD 2018 begins with three Getting Started chapters that include information to get readers of all levels prepared for the tutorials The author includes tips that offer suggestions and warnings as you progress through the tutorials Key Terms and Key Commands are listed at the end of each chapter to recap important topics and commands learned in each tutorial Also a glossary of terms and Commands Summary list the key commands used in the tutorials Each chapter concludes with end of chapter problems providing challenges to a range of abilities in mechanical electrical and civil engineering as well as architectural problems *AutoCAD 2022 Tutorial First Level 2D Fundamentals* Randy Shih,Luke Jumper,2021-06 The primary goal of AutoCAD 2022 Tutorial First Level 2D Fundamentals is to introduce the aspects of Computer Aided Design and Drafting CADD This text is intended to be used as a training guide for students and professionals This text covers AutoCAD 2022 and the lessons proceed in a pedagogical fashion to guide you from constructing basic shapes to making multiview drawings This textbook contains a series of twelve tutorial style lessons designed to introduce beginning CAD users to AutoCAD 2022 It takes a hands on exercise intensive approach to all the important 2D CAD techniques and concepts This text is also helpful to AutoCAD users upgrading from a previous release of the software The new improvements

and key enhancements of the software are incorporated into the lessons The 2D CAD techniques and concepts discussed in this text are also designed to serve as the foundation to the more advanced parametric feature based CAD packages such as Autodesk Inventor The basic premise of this book is that the more designs you create using AutoCAD 2022 the better you learn the software With this in mind each lesson introduces a new set of commands and concepts building on previous lessons This book is intended to help readers establish a good basis for exploring and growing in the exciting field of Computer Aided Engineering Video Training Included with every new copy of AutoCAD 2022 Tutorial First Level 2D Fundamentals is access to extensive video training There are forty six videos with more than five hours of training in total This video training parallels the exercises found in the text and is designed to be watched first before following the instructions in the book However the videos do more than just provide you with click by click instructions Author Luke Jumper also includes a brief discussion of each tool as well as rich insight into why and how the tools are used Luke isn t just telling you what to do he s showing and explaining to you how to go through the exercises while providing clear descriptions of the entire process It s like having him there guiding you through the book These videos will provide you with a wealth of information and bring the text to life They are also an invaluable resource for people who learn best through a visual experience These videos deliver a comprehensive overview of the 2D tools found in AutoCAD and perfectly complement and reinforce the exercises in the book

AutoCAD 2017 Tutorial First Level 2D Fundamentals Randy Shih,2016-05 The primary goal of AutoCAD 2017 Tutorial First Level 2D Fundamentals is to introduce the aspects of Computer Aided Design and Drafting CADD This text is intended to be used as a training guide for students and professionals This text covers AutoCAD 2017 and the lessons proceed in a pedagogical fashion to guide you from constructing basic shapes to making multiview drawings This textbook contains a series of eleven tutorial style lessons designed to introduce beginning CAD users to AutoCAD 2017 It takes a hands on exercise intensive approach to all the important 2D CAD techniques and concepts This text is also helpful to AutoCAD users upgrading from a previous release of the software The new improvements and key enhancements of the software are incorporated into the lessons The 2D CAD techniques and concepts discussed in this text are also designed to serve as the foundation to the more advanced parametric feature based CAD packages such as Autodesk Inventor The basic premise of this book is that the more designs you create using AutoCAD 2017 the better you learn the software With this in mind each lesson introduces a new set of commands and concepts building on previous lessons This book is intended to help readers establish a good basis for exploring and growing in the exciting field of Computer Aided Engineering

Tutorial Guide to Autocad 2013 Shawna D. Lockhart,2012-06-04 A Tutorial Guide to AutoCAD 2013 2D provides a step by step introduction to AutoCAD with commands presented in the context of each tutorial With an organization that parallels an introductory engineering graphics course author Shawna Lockhart guides readers through all the important commands and techniques to effectively create 2D drawings using AutoCAD 2013 After completing these seven

tutorials you will have mastered the commands necessary to create 2D drawings add dimensions and print or plot your drawing using sound engineering drawing practices In each lesson the author provides step by step instructions with frequent illustrations showing exactly what appears on the AutoCAD screen Later individual steps are no longer provided and readers are asked to apply what they ve learned by completing sequences on their own A carefully developed pedagogy reinforces this cumulative learning approach and supports readers in becoming skilled AutoCAD users A Tutorial Guide to AutoCAD 2013 2D begins with three getting started chapters that include information to get readers of all levels prepared for the tutorials The author includes tips that offer suggestions and warnings as you progress through the tutorials Key Terms and Key Commands are listed at the end of each chapter to recap important topics and commands learned in each tutorial A glossary of terms and a commands summary list reinforce the key commands used in the tutorials Each chapter concludes with end of chapter problems providing challenges to a range of abilities in mechanical electrical and civil engineering as well as architectural problems **AutoCAD** Daniela Vasiliu,1996 [Tutorial Guide to AutoCAD 2019](#) Shawna

Lockhart,2018-05-04 Tutorial Guide to AutoCAD 2019 provides a step by step introduction to AutoCAD with commands presented in the context of each tutorial In fifteen clear and comprehensive chapters author Shawna Lockhart guides you through all the important commands and techniques in AutoCAD 2019 from 2D drawing to solid modeling and finally finishing with rendering In each lesson the author provides step by step instructions with frequent illustrations showing exactly what appears on the AutoCAD screen Later individual steps are no longer provided and you are asked to apply what you ve learned by completing sequences on your own A carefully developed pedagogy reinforces this cumulative learning approach and supports you in becoming a skilled AutoCAD user Tutorial Guide to AutoCAD 2019 begins with three Getting Started chapters that include information to get readers of all levels prepared for the tutorials The author includes tips that offer suggestions and warnings as you progress through the tutorials Key Terms and Key Commands are listed at the end of each chapter to recap important topics and commands learned in each tutorial Also a glossary of terms and Commands Summary list the key commands used in the tutorials Each chapter concludes with end of chapter problems providing challenges to a range of abilities in mechanical electrical and civil engineering as well as architectural problems

AutoCAD 2018 Tutorial First Level 2D Fundamentals Randy Shih,2017-08-25 The primary goal of AutoCAD 2018 Tutorial First Level 2D Fundamentals is to introduce the aspects of Computer Aided Design and Drafting CADD This text is intended to be used as a training guide for students and professionals This text covers AutoCAD 2018 and the lessons proceed in a pedagogical fashion to guide you from constructing basic shapes to making multiview drawings This textbook contains a series of eleven tutorial style lessons designed to introduce beginning CAD users to AutoCAD 2018 It takes a hands on exercise intensive approach to all the important 2D CAD techniques and concepts This text is also helpful to AutoCAD users upgrading from a previous release of the software The new improvements and key enhancements of the

software are incorporated into the lessons The 2D CAD techniques and concepts discussed in this text are also designed to serve as the foundation to the more advanced parametric feature based CAD packages such as Autodesk Inventor The basic premise of this book is that the more designs you create using AutoCAD 2018 the better you learn the software With this in mind each lesson introduces a new set of commands and concepts building on previous lessons This book is intended to help readers establish a good basis for exploring and growing in the exciting field of Computer Aided Engineering

A Tutorial Guide to AutoCAD Release 14 Shawna D. Lockhart, 1998 A Tutorial Guide to AutoCAD Release 14 is the ideal tool for learning the latest release of engineering s most popular design tool These tutorials take you from basics such as parts of the screen and simple command entry all the way through customizing your AutoCAD toolbars and creating your own commands In 15 clear and comprehensive sessions author Shawna Lockhart guides readers through all the important commands and techniques in AutoCAD 14 As you progress through the step by step tutorials you apply what you have learned by completing familiar sequences on your own Frequent illustrations clearly depict what you see on your screen to help you in following the steps outlined

Tutorial Guide to AutoCAD 2021 Shawna Lockhart, Tutorial Guide to AutoCAD 2021 provides a step by step introduction to AutoCAD with commands presented in the context of each tutorial In fifteen clear and comprehensive chapters author Shawna Lockhart guides you through all the important commands and techniques in AutoCAD 2021 from 2D drawing to solid modeling and finally finishing with rendering In each lesson the author provides step by step instructions with frequent illustrations showing exactly what appears on the AutoCAD screen Later individual steps are no longer provided and you are asked to apply what you ve learned by completing sequences on your own A carefully developed pedagogy reinforces this cumulative learning approach and supports you in becoming a skilled AutoCAD user Tutorial Guide to AutoCAD 2021 begins with three Getting Started chapters that include information to get readers of all levels prepared for the tutorials The author includes tips that offer suggestions and warnings as you progress through the tutorials Key Terms and Key Commands are listed at the end of each chapter to recap important topics and commands learned in each tutorial Also a glossary of terms and Commands Summary list the key commands used in the tutorials Each chapter concludes with end of chapter problems providing challenges to a range of abilities in mechanical electrical and civil engineering as well as architectural problems

Tutorial Guide to AutoCAD 2021 Shawna Lockhart, Tutorial Guide to AutoCAD 2021 provides a step by step introduction to AutoCAD with commands presented in the context of each tutorial In fifteen clear and comprehensive chapters author Shawna Lockhart guides you through all the important commands and techniques in AutoCAD 2021 from 2D drawing to solid modeling and finally finishing with rendering In each lesson the author provides step by step instructions with frequent illustrations showing exactly what appears on the AutoCAD screen Later individual steps are no longer provided and you are asked to apply what you ve learned by completing sequences on your own A carefully developed pedagogy reinforces this cumulative learning approach and supports you in becoming a skilled AutoCAD user

Tutorial Guide to AutoCAD 2021 begins with three Getting Started chapters that include information to get readers of all levels prepared for the tutorials The author includes tips that offer suggestions and warnings as you progress through the tutorials Key Terms and Key Commands are listed at the end of each chapter to recap important topics and commands learned in each tutorial Also a glossary of terms and Commands Summary list the key commands used in the tutorials Each chapter concludes with end of chapter problems providing challenges to a range of abilities in mechanical electrical and civil engineering as well as architectural problems

Tutorial Guide to AutoCAD 2015 Shawna Lockhart,2014-06-06 Tutorial Guide to AutoCAD 2015 provides a step by step introduction to AutoCAD with commands presented in the context of each tutorial In fifteen clear and comprehensive chapters author Shawna Lockhart guides readers through all the important commands and techniques in AutoCAD 2015 from 2D drawing to solid modeling and finally finishing with rendering In each lesson the author provides step by step instructions with frequent illustrations showing exactly what appears on the AutoCAD screen Later individual steps are no longer provided and readers are asked to apply what they ve learned by completing sequences on their own A carefully developed pedagogy reinforces this cumulative learning approach and supports readers in becoming skilled AutoCAD users

Tutorial Guide to AutoCAD 2015 begins with three Getting Started chapters that include information to get readers of all levels prepared for the tutorials The author includes tips that offer suggestions and warnings as you progress through the tutorials Key Terms and Key Commands are listed at the end of each chapter to recap important topics and commands learned in each tutorial Also a glossary of terms and Commands Summary list the key commands used in the tutorials Each chapter concludes with end of chapter problems providing challenges to a range of abilities in mechanical electrical and civil engineering as well as architectural problems

[AutoCAD 2023 Tutorial First Level 2D Fundamentals](#) Randy Shih,2022-07 The primary goal of AutoCAD 2023 Tutorial First Level 2D Fundamentals is to introduce the aspects of Computer Aided Design and Drafting CADD This text is intended to be used as a training guide for students and professionals This text covers AutoCAD 2023 and the lessons proceed in a pedagogical fashion to guide you from constructing basic shapes to making multiview drawings This textbook contains a series of twelve tutorial style lessons designed to introduce beginning CAD users to AutoCAD 2023 It takes a hands on exercise intensive approach to all the important 2D CAD techniques and concepts This text is also helpful to AutoCAD users upgrading from a previous release of the software The new improvements and key enhancements of the software are incorporated into the lessons The 2D CAD techniques and concepts discussed in this text are also designed to serve as the foundation to the more advanced parametric feature based CAD packages such as Autodesk Inventor The basic premise of this book is that the more designs you create using AutoCAD 2023 the better you learn the software With this in mind each lesson introduces a new set of commands and concepts building on previous lessons This book is intended to help readers establish a good basis for exploring and growing in the exciting field of Computer Aided Engineering Video Training Included with every new copy of AutoCAD 2023 Tutorial

First Level 2D Fundamentals is access to extensive video training There are forty six videos with more than five hours of training in total This video training parallels the exercises found in the text and is designed to be watched first before following the instructions in the book However the videos do more than just provide you with click by click instructions Author Luke Jumper also includes a brief discussion of each tool as well as rich insight into why and how the tools are used Luke isn t just telling you what to do he s showing and explaining to you how to go through the exercises while providing clear descriptions of the entire process It s like having him there guiding you through the book These videos will provide you with a wealth of information and bring the text to life They are also an invaluable resource for people who learn best through a visual experience These videos deliver a comprehensive overview of the 2D tools found in AutoCAD and perfectly complement and reinforce the exercises in the book

AutoCAD 2024 Tutorial First Level 2D Fundamentals Randy Shih,Luke Jumper, Designed for users new to CAD Uses step by step tutorials to teach you 2D drawing using AutoCAD Covers the performance tasks found on the AutoCAD 2024 Certified User Examination Includes extensive video instruction The primary goal of AutoCAD 2024 Tutorial First Level 2D Fundamentals is to introduce the aspects of Computer Aided Design and Drafting CADD This text is intended to be used as a training guide for students and professionals This text covers AutoCAD 2024 and the lessons proceed in a pedagogical fashion to guide you from constructing basic shapes to making multiview drawings This textbook contains a series of twelve tutorial style lessons designed to introduce beginning CAD users to AutoCAD 2024 It takes a hands on exercise intensive approach to all the important 2D CAD techniques and concepts This text is also helpful to AutoCAD users upgrading from a previous release of the software The new improvements and key enhancements of the software are incorporated into the lessons The 2D CAD techniques and concepts discussed in this text are also designed to serve as the foundation to the more advanced parametric feature based CAD packages such as Autodesk Inventor The basic premise of this book is that the more designs you create using AutoCAD 2024 the better you learn the software With this in mind each lesson introduces a new set of commands and concepts building on previous lessons This book is intended to help readers establish a good basis for exploring and growing in the exciting field of Computer Aided Engineering Video Training Included with every new copy of AutoCAD 2024 Tutorial First Level 2D Fundamentals is access to extensive video training There are forty six videos with more than five hours of training in total This video training parallels the exercises found in the text and is designed to be watched first before following the instructions in the book However the videos do more than just provide you with click by click instructions Author Luke Jumper also includes a brief discussion of each tool as well as rich insight into why and how the tools are used Luke isn t just telling you what to do he s showing and explaining to you how to go through the exercises while providing clear descriptions of the entire process It s like having him there guiding you through the book These videos will provide you with a wealth of information and bring the text to life They are also an invaluable resource for people who learn best through a visual experience These videos deliver a

comprehensive overview of the 2D tools found in AutoCAD and perfectly complement and reinforce the exercises in the book

AutoCAD 2020 For Beginners Cadfolks,2019-05-13 AutoCAD is one of the leading CAD software used to create technical drawings AutoCAD 2020 For Beginners helps you to learn AutoCAD basics using brief explanations and well directed examples You will learn the basics of the interface and commands as well as how to create edit dimension print drawings Create drawings with drawing tools Create and edit complex drawings with the modify tools Add dimensions and annotations to drawings Prepare your drawing for printing Create and edit 3D models Learn to create Architectural floor plan If you want to learn AutoCAD quickly and easily AutoCAD 2020 For Beginners gets you started today Download the resource files from <https://autocadforbeginners.weebly.com> **Tutorial Guide to AutoCAD 2023** Shawna Lockhart, Tutorial Guide to AutoCAD 2023 provides a step by step introduction to AutoCAD with commands presented in the context of each tutorial In fifteen clear and comprehensive chapters author Shawna Lockhart guides you through all the important commands and techniques in AutoCAD 2023 from 2D drawing to solid modeling and finally finishing with rendering In each lesson the author provides step by step instructions with frequent illustrations showing exactly what appears on the AutoCAD screen Later individual steps are no longer provided and you are asked to apply what you ve learned by completing sequences on your own A carefully developed pedagogy reinforces this cumulative learning approach and supports you in becoming a skilled AutoCAD user Tutorial Guide to AutoCAD 2023 begins with three Getting Started chapters that include information to get readers of all levels prepared for the tutorials The author includes tips that offer suggestions and warnings as you progress through the tutorials Key Terms and Key Commands are listed at the end of each chapter to recap important topics and commands learned in each tutorial Also a glossary of terms and Commands Summary list the key commands used in the tutorials Each chapter concludes with end of chapter problems providing challenges to a range of abilities in mechanical electrical and civil engineering as well as architectural problems

milly a tribute to amelia e collins kindle edition amazon com au - Sep 26 2022

web milly a tribute to amelia e collins english edition by abu l qasim faizi milly tribute to amelia e collins paperback lt ly78moxwfjlb march 22nd 2020 additional information

[milly a tribute to amelia e collins softcover abebooks](#) - Sep 07 2023

web abu l qasim faizi has made no attempt to give a biographical history of amelia collins but i milly a tribute to amelia e collins by a q faizi goodreads

milly a tribute to amelia e collins kindle edition amazon in - Jul 25 2022

web amazon in buy milly tribute to amelia e collins book online at best prices in india on amazon in read milly tribute to amelia e collins book reviews author details and

milly a tribute to amelia e collins alibris - Jan 31 2023

web milly a tribute to amelia e collins faizi a q faizbi abu llqbasim faizi abd l qasim 9780853980742 books amazon ca

tribute to hollywood song and lyrics by emmy meli spotify - Feb 17 2022

web nov 15 2020 provided to youtube by distrokidtribute to hollywood emmy melitribute to hollywood emmy meli

musicreleased on 2020 11 16auto generated by youtube

milly a tribute to amelia e collins paperback sept 1 2014 - Dec 30 2022

web milly a tribute to amelia e collins ebook faizi abu l qasim amazon ca kindle store

tribute to hollywood youtube - Jan 19 2022

web may 1 2023 we pay for milly a tribute to amelia e collins english editi and numerous book collections from fictions to scientific research in any way among them is this

buy milly tribute to amelia e collins book online at low prices - Jun 23 2022

web connection a wonderful tribute to amelia earhart who herself came to embody mystery booklist amelia earhart s famous aviator goggles go missing and eleven year old

milly a tribute to amelia e collins english editi uniport edu - Mar 21 2022

web emmy meli song 2020

milly a tribute to amelia e collins english editi download only - May 23 2022

web aug 20 2023 getting this info acquire the milly a tribute to amelia e collins english editi connect that we give here and check out the link you could purchase guide milly a

milly a tribute to amelia e collins english editi uniport edu - Dec 18 2021

milly a tribute to amelia e collins english editi book - May 03 2023

web jul 5 2021 baha i blog is delighted to share an audio recording of one of our articles titled remembering milly a tribute to amelia collins this article was written and read by

remembering milly a tribute to amelia collins - Oct 08 2023

web milly a tribute to amelia e collins by faizi a q faizbi abu llqbasim faizi abd l qasim isbn 10 0853980748 isbn 13 9780853980742 george ronald publisher

milly a tribute to amelia e collins english edition by abu l - Aug 26 2022

web milly a tribute to amelia e collins ebook faizi abu l qasim amazon in kindle store

milly a tribute to amelia e collins by a q faizi goodreads - Aug 06 2023

web milly abu l qásim faizí 1977 abu l qasim faizi has made no attempt to give a biographical history of amelia collins but it is

against the setting of her high rank and

remembering milly a tribute to amelia collins audio reading - Apr 02 2023

web buy milly a tribute to amelia e collins by faizi a q faizbi abu llqbasim faizi abd l qasim isbn 9780853980742 from amazon s book store everyday low prices and

milly a tribute to amelia e collins kindle edition amazon ca - Nov 28 2022

web milly a tribute to amelia e collins english editi this is likewise one of the factors by obtaining the soft documents of this milly a tribute to amelia e collins english editi

milly a tribute to amelia e collins paperback 1 sept 2014 - Mar 01 2023

web buy milly a tribute to amelia e collins by abd l qasim faizi abu llqbasim faizbi online at alibris we have new and used copies available in 1 editions starting at 7 84 shop

milly a tribute to amelia e collins english editi shapour - Jul 05 2023

web sep 24 2014 milly a tribute to amelia e collins kindle edition by faizi abu l qasim download it once and read it on your kindle device pc phones or tablets use features

milly a tribute to amelia e collins kindle edition amazon com - Jun 04 2023

web milly a tribute to amelia e collins english editi a tribute to motherland oct 28 2021 there is no devotion to god without devotion to the motherland we are in debt to our

milly a tribute to amelia e collins english editi pdf uniport edu - Apr 21 2022

web may 7 2023 milly a tribute to amelia e collins english editi is available in our book collection an online access to it is set as public so you can download it instantly our

milly a tribute to amelia e collins english editi jacqueline - Oct 28 2022

web milly a tribute to amelia e collins ebook faizi abu l qasim amazon com au kindle store

reihenfolge die howl saga das wandelnde schloss von - May 24 2022

web dec 17 2020 band das wandelnde schloss sophie hat das große unglück die älteste von drei töchtern zu sein jeder in ingari weiß dass die Älteste dazu bestimmt ist kläglich zu versagen sollte sie jemals ihr zuhause verlassen um ihr glück zu suchen und so geschieht was geschehen muss sophie zieht den zorn einer hexe auf sich und wird

amazon de kundenrezensionen das wandelnde schloss roman die - Oct 29 2022

web finde hilfreiche kundenrezensionen und rezensionsbewertungen für das wandelnde schloss roman die romanvorlage zum zauberhaften kinofilm die howl saga band 1 auf amazon de lese ehrliche und unvoreingenommene rezensionen von

howl saga bücher in der richtigen reihenfolge büchertreff de - Oct 09 2023

web feb 4 2023 chronologie aller bände 1 3 der teil das wandelnde schloss sophie im schloss des zauberers bildet den

auftakt zur reihe mit einer pause von vier jahren erschien hieran im jahr 1990 der zweite band der *buchreihe die howl saga von diana wynne jones in* - Jun 05 2023

web dec 31 2004 nach dem fantasy klassiker das wandelnde schloss ist mit der palast im himmel auch der zweite band der howl saga der britischen erfolgsautorin diana wynne jones endlich wieder auf deutsch erhältlich das märchen um den teppich verkäufer abdullah und die befreiung der prinzessin in neuer ausstattung ein

das wandelnde schloss von diana wynne jones buch 978 - Dec 31 2022

web die howl saga band 1 das wandelnde schloss roman die romanvorlage zum zauberhaften kinofilm diana wynne jones buch taschenbuch

das wandelnde schloss roman die romanvorlage zum - Jul 06 2023

web das wandelnde schloss roman die romanvorlage zum zauberhaften kinofilm wynne jones diana haefs dr gabriele isbn 9783426525388 kostenloser versand für alle bücher mit versand und verkauf duch amazon

das wandelnde schloss roman die romanvorlage zum - Feb 01 2023

web amazon de ebook das wandelnde schloss roman die romanvorlage zum zauberhaften kinofilm die howl saga 1 wynne jones diana haefs dr gabriele sofort auf ihrem kindle pc tablet oder smartphone verfügbar jetzt entdecken

das wandelnde schloss von diana wynne jones ebook thalia - Apr 03 2023

web die howl saga band 1 das wandelnde schloss roman die romanvorlage zum zauberhaften kinofilm diana wynne jones ebook

das wandelnde schloss roman die howl saga band 1 - Jun 24 2022

web das wandelnde schloss roman die howl saga band 1 von jones diana wynne broschiert bei medimops de bestellen gebraucht günstig kaufen sparen gratis versand bei medimops

das wandelnde schloss roman die howl saga band 1 2023 - Feb 18 2022

web 2 das wandelnde schloss roman die howl saga band 1 2022 09 18 realizes dan isn t just different in many ways his world is better and he gives her a fresh perspective on her own life the wall of storms abrams möchten sie fantastische romane lesen die sie in fremde welten entführen haben sie lust mit markus heitz einen pakt der *amazon de customer reviews das wandelnde schloss roman die* - Aug 27 2022

web find helpful customer reviews and review ratings for das wandelnde schloss roman die romanvorlage zum zauberhaften kinofilm die howl saga band 1 at amazon de read honest and unbiased product reviews from our users

rezension das wandelnde schloss howl saga band 1 - Sep 08 2023

web jan 21 2020 dianna wynne jones das wandelnde schloss s 33 droemer knaur howl ist zu beginn eigentlich gar kein fan davon noch eine person aufzunehmen doch sein lehrling michael und calcifer mögen sophie und so duldet er sie auch michael

lehrt er tatsächliche zauberei er schmeißt auch howls laden den sie eigentlich vom
der palast im himmel roman märchenhafte amazon de - Mar 22 2022

web der palast im himmel roman märchenhafte neuinterpretation von 1001 nacht in der welt von das wandelnde schloss die
howl saga band 2 wynne jones diana haentjes holländer dorothee isbn 9783426525395 kostenloser versand für alle bücher
mit versand und verkauf duch amazon

das wandelnde schloss roman die romanvorlage zum - May 04 2023

web das wandelnde schloss roman die romanvorlage zum zauberhaften kinofilm die howl saga band 1 wynne jones diana
haefs dr gabriele amazon de books

wandelnde schloss abebooks - Nov 29 2022

web das wandelnde schloss roman die howl saga band 1 von wynne jones diana und eine große auswahl ähnlicher bücher
kunst und sammlerstücke erhältlich auf abebooks de

das wandelnde schloss roman die howl saga band 1 2022 - Apr 22 2022

web das wandelnde schloss roman die howl saga band 1 3 3 of norway s most legendary kings the last viking is a fast moving
narrative account of the life of king harald hardrada as he journeyed across the medieval world from the frozen wastelands of
the north to the glittering towers of byzantium and the passions of the holy land until his

das wandelnde schloss die howl saga lehrerbibliothek de - Sep 27 2022

web das wandelnde schloss roman die romanvorlage zum zauberhaften kinofilm die howl saga band 1 nach fauler zauber ein
weiterer fantasy klassiker von diana wynne jones im neuen gewand die romanvorlage für das wandelnde schloss verfilmt von
oscar preisträger hayao miyazaki sophie hat das große unglück die älteste von drei

das wandelnde schloss diana wynne jones droemer knaur - Jul 26 2022

web dec 1 2019 die howl saga band 1 Übersetzt von dr gabriele haefs nach fauler zauber ein weiterer fantasy klassiker von
diana wynne jones im neuen gewand die romanvorlage für das wandelnde schloss verfilmt von

das wandelnde schloss von diana wynne jones buch 978 - Aug 07 2023

web die howl saga band 1 das wandelnde schloss roman die romanvorlage zum zauberhaften kinofilm diana wynne jones
buch taschenbuch

die howl saga band 1 3 1 exklusives postkartenset taschenbuch amazon de - Mar 02 2023

web die romanvorlage zum zauberhaften kinofilm die howl saga band 1 das haus der tausend räume roman die magisch
romantische fortsetzung von das wandelnde schloss die howl saga band 3 der palast im himmel roman

daytrade a realidade sem mimimi quer se tornar - Oct 05 2023

web daytrade a realidade sem mimimi quer se tornar um day trader comece lendo esse livro by vinícius miranda 3 20 avg

rating 10 ratings ser day trade é um sonho

amazon com au customer reviews daytrade a realidade - Feb 26 2023

web veja grátis o arquivo daytrade a realidade sem mimimi quer se tornar um day trader comece lendo esse livro enviado para a disciplina de investimentos categoria

daytrade a realidade sem mimimi quer se tornar um day - Mar 30 2023

web amazon com daytrade a realidade sem mimimi quer se tornar um day trader comece lendo esse livro portuguese edition ebook miranda vinicius cesar bruno

daytrade a realidade sem mimimi quer se tornar um day - Dec 27 2022

web recognizing the pretentiousness ways to acquire this ebook daytrade a realidade sem mimimi quer se tornar um is additionally useful you have remained in right site to

pdf daytrade a realidade sem mimimi quer se tornar - Sep 04 2023

web daytrade a realidade sem mimimi quer se tornar um day eu sou ryca 2016 mestre dos centavo at breve soldados blog jovens estudantes mais alertas vermelhos

pdf daytrade a realidade sem mimimi quer se tornar - Oct 25 2022

web discover and share books you love on goodreads

daytrade a realidade sem mimimi quer se tornar um day - Apr 18 2022

daytrade a realidade sem mimimi quer se tornar um pdf - Aug 23 2022

web sep 14 2023 daytrade a realidade sem mimimi quer se tornar um day falando de canibais e mitos tpico de sbado o carcar arquivos blog pgina 2 de 4 mulher na

amazon com br avaliações de clientes daytrade a - Jan 28 2023

web apr 28 2019 daytrade a realidade sem mimimi quer se tornar um day ser day trade é um sonho para muitos e realidade para poucos acompanhe uma história real

daytrade a realidade sem mimimi quer se tornar um - Sep 23 2022

web any of our books like this one merely said the daytrade a realidade sem mimimi quer se tornar um is universally compatible taking into account any devices to read trading

daytrade a realidade sem mimimi quer se tornar um day - May 20 2022

web daytrade a realidade sem mimimi quer se tornar um day trader comece lendo esse livro portuguese edition by bruno cesar daytrade a realidade sem mimimi quer se

daytrade a realidade sem mimimi quer se tornar um day - Mar 18 2022

daytrade a realidade sem mimimi quer se tornar um day - Jul 02 2023

web daytrade a realidade sem mimimi quer se tornar um day trader comece lendo esse livro ebook miranda vinicius cesar bruno amazon com br livros

daytrade a realidade sem mimimi quer se tornar um a l - Jun 20 2022

web daytrade a realidade sem mimimi quer se tornar um day trader comece lendo esse livro portuguese edition by bruno cesar falando de canibais e mitos tpico de sbado o

readers who enjoyed daytrade a realidade sem mimimi - Aug 03 2023

web day trade a realidade sem mimimi pdf empresa startup microempresas e empreendedores dinheiro e estava falido vi que uma parte do curso falava sobre

daytrade a realidade sem mimimi quer se tornar um day - Nov 25 2022

web sem mimimi quer se tornar um compiled by a very acclaimed author immerses readers in a captivating exploration of the significance of language and its profound effect on our

daytrade a realidade sem mimimi quer se tornar um day - Feb 14 2022

loading interface goodreads - Jul 22 2022

web sep 3 2023 realidade sem mimimi quer se tornar um day may 1st 2020 daytrade a realidade sem mimimi quer se tornar um day trader ece lendo esse

daytrade a realidade sem mimimi quer se - Apr 30 2023

web confira avaliações e notas de clientes para daytrade a realidade sem mimimi quer se tornar um day trader comece lendo esse livro na amazon com br leia avaliações

day trade a realidade sem mimimi pdf empresa - Jun 01 2023

web find helpful customer reviews and review ratings for daytrade a realidade sem mimimi quer se tornar um day trader comece lendo esse livro portuguese edition

If you ally compulsion such a referred **Autocad Tutorial Manual Download** ebook that will provide you worth, acquire the utterly best seller from us currently from several preferred authors. If you want to entertaining books, lots of novels, tale, jokes, and more fictions collections are along with launched, from best seller to one of the most current released.

You may not be perplexed to enjoy every ebook collections Autocad Tutorial Manual Download that we will agreed offer. It is not not far off from the costs. Its virtually what you habit currently. This Autocad Tutorial Manual Download, as one of the most involved sellers here will categorically be along with the best options to review.

https://offsite.creighton.edu/files/virtual-library/Documents/knight_rider_book.pdf

https://offsite.creighton.edu/files/virtual-library/Documents/kinematic_equations_practice_problems.pdf

https://offsite.creighton.edu/files/virtual-library/Documents/keystone_practice_test.pdf

Table of Contents Autocad Tutorial Manual Download

1. Understanding the eBook Autocad Tutorial Manual Download
 - The Rise of Digital Reading Autocad Tutorial Manual Download
 - Advantages of eBooks Over Traditional Books
2. Identifying Autocad Tutorial Manual Download
 - Exploring Different Genres
 - Considering Fiction vs. Non-Fiction
 - Determining Your Reading Goals
3. Choosing the Right eBook Platform
 - Popular eBook Platforms
 - Features to Look for in an Autocad Tutorial Manual Download

- User-Friendly Interface
- 4. Exploring eBook Recommendations from Autocad Tutorial Manual Download
 - Personalized Recommendations
 - Autocad Tutorial Manual Download User Reviews and Ratings
 - Autocad Tutorial Manual Download and Bestseller Lists
- 5. Accessing Autocad Tutorial Manual Download Free and Paid eBooks
 - Autocad Tutorial Manual Download Public Domain eBooks
 - Autocad Tutorial Manual Download eBook Subscription Services
 - Autocad Tutorial Manual Download Budget-Friendly Options
- 6. Navigating Autocad Tutorial Manual Download eBook Formats
 - ePub, PDF, MOBI, and More
 - Autocad Tutorial Manual Download Compatibility with Devices
 - Autocad Tutorial Manual Download Enhanced eBook Features
- 7. Enhancing Your Reading Experience
 - Adjustable Fonts and Text Sizes of Autocad Tutorial Manual Download
 - Highlighting and Note-Taking Autocad Tutorial Manual Download
 - Interactive Elements Autocad Tutorial Manual Download
- 8. Staying Engaged with Autocad Tutorial Manual Download
 - Joining Online Reading Communities
 - Participating in Virtual Book Clubs
 - Following Authors and Publishers Autocad Tutorial Manual Download
- 9. Balancing eBooks and Physical Books Autocad Tutorial Manual Download
 - Benefits of a Digital Library
 - Creating a Diverse Reading Collection Autocad Tutorial Manual Download
- 10. Overcoming Reading Challenges
 - Dealing with Digital Eye Strain
 - Minimizing Distractions
 - Managing Screen Time
- 11. Cultivating a Reading Routine Autocad Tutorial Manual Download
 - Setting Reading Goals Autocad Tutorial Manual Download

- Carving Out Dedicated Reading Time
- 12. Sourcing Reliable Information of Autocad Tutorial Manual Download
 - Fact-Checking eBook Content of Autocad Tutorial Manual Download
 - Distinguishing Credible Sources
- 13. Promoting Lifelong Learning
 - Utilizing eBooks for Skill Development
 - Exploring Educational eBooks
- 14. Embracing eBook Trends
 - Integration of Multimedia Elements
 - Interactive and Gamified eBooks

Autocad Tutorial Manual Download Introduction

In this digital age, the convenience of accessing information at our fingertips has become a necessity. Whether its research papers, eBooks, or user manuals, PDF files have become the preferred format for sharing and reading documents. However, the cost associated with purchasing PDF files can sometimes be a barrier for many individuals and organizations. Thankfully, there are numerous websites and platforms that allow users to download free PDF files legally. In this article, we will explore some of the best platforms to download free PDFs. One of the most popular platforms to download free PDF files is Project Gutenberg. This online library offers over 60,000 free eBooks that are in the public domain. From classic literature to historical documents, Project Gutenberg provides a wide range of PDF files that can be downloaded and enjoyed on various devices. The website is user-friendly and allows users to search for specific titles or browse through different categories. Another reliable platform for downloading Autocad Tutorial Manual Download free PDF files is Open Library. With its vast collection of over 1 million eBooks, Open Library has something for every reader. The website offers a seamless experience by providing options to borrow or download PDF files. Users simply need to create a free account to access this treasure trove of knowledge. Open Library also allows users to contribute by uploading and sharing their own PDF files, making it a collaborative platform for book enthusiasts. For those interested in academic resources, there are websites dedicated to providing free PDFs of research papers and scientific articles. One such website is Academia.edu, which allows researchers and scholars to share their work with a global audience. Users can download PDF files of research papers, theses, and dissertations covering a wide range of subjects. Academia.edu also provides a platform for discussions and networking within the academic community. When it comes to downloading Autocad Tutorial Manual Download free PDF files of magazines, brochures, and catalogs, Issuu is a popular choice. This digital publishing platform hosts a vast collection of publications

from around the world. Users can search for specific titles or explore various categories and genres. Issuu offers a seamless reading experience with its user-friendly interface and allows users to download PDF files for offline reading. Apart from dedicated platforms, search engines also play a crucial role in finding free PDF files. Google, for instance, has an advanced search feature that allows users to filter results by file type. By specifying the file type as "PDF," users can find websites that offer free PDF downloads on a specific topic. While downloading Autocad Tutorial Manual Download free PDF files is convenient, its important to note that copyright laws must be respected. Always ensure that the PDF files you download are legally available for free. Many authors and publishers voluntarily provide free PDF versions of their work, but its essential to be cautious and verify the authenticity of the source before downloading Autocad Tutorial Manual Download. In conclusion, the internet offers numerous platforms and websites that allow users to download free PDF files legally. Whether its classic literature, research papers, or magazines, there is something for everyone. The platforms mentioned in this article, such as Project Gutenberg, Open Library, Academia.edu, and Issuu, provide access to a vast collection of PDF files. However, users should always be cautious and verify the legality of the source before downloading Autocad Tutorial Manual Download any PDF files. With these platforms, the world of PDF downloads is just a click away.

FAQs About Autocad Tutorial Manual Download Books

How do I know which eBook platform is the best for me? Finding the best eBook platform depends on your reading preferences and device compatibility. Research different platforms, read user reviews, and explore their features before making a choice. Are free eBooks of good quality? Yes, many reputable platforms offer high-quality free eBooks, including classics and public domain works. However, make sure to verify the source to ensure the eBook credibility. Can I read eBooks without an eReader? Absolutely! Most eBook platforms offer web-based readers or mobile apps that allow you to read eBooks on your computer, tablet, or smartphone. How do I avoid digital eye strain while reading eBooks? To prevent digital eye strain, take regular breaks, adjust the font size and background color, and ensure proper lighting while reading eBooks. What the advantage of interactive eBooks? Interactive eBooks incorporate multimedia elements, quizzes, and activities, enhancing the reader engagement and providing a more immersive learning experience. Autocad Tutorial Manual Download is one of the best book in our library for free trial. We provide copy of Autocad Tutorial Manual Download in digital format, so the resources that you find are reliable. There are also many Ebooks of related with Autocad Tutorial Manual Download. Where to download Autocad Tutorial Manual Download online for free? Are you looking for Autocad Tutorial Manual Download PDF? This is definitely going to save you time and cash in something you should think about.

Find Autocad Tutorial Manual Download :

[knight rider book](#)

[kinematic equations practice problems](#)

keystone practice test

[labview data acquisition](#)

[king arthur and the knights of the round table 2017](#)

ladies and gentlemen warhol

labeled mri brain

kumon reading books

~~lab 43 digestive organs~~

kinyarwanda in english

~~knee arthroscopy cpt~~

kelley armstrong otherworld series order

karl malone documentary

[lake of the clouds weather](#)

~~labeled hand skeleton~~

Autocad Tutorial Manual Download :