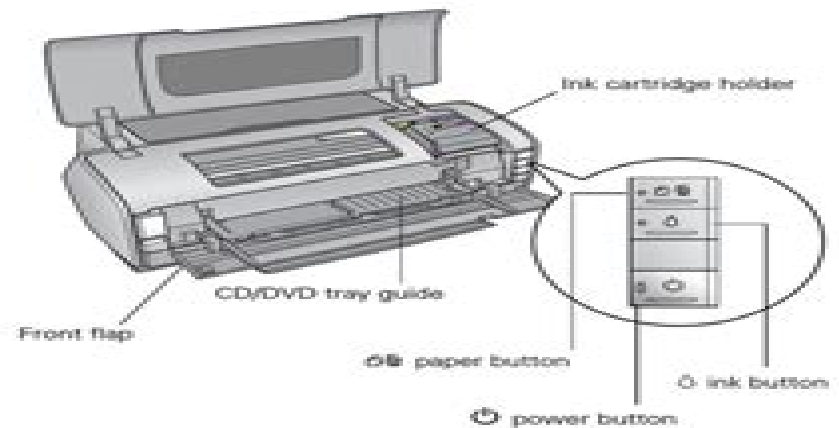
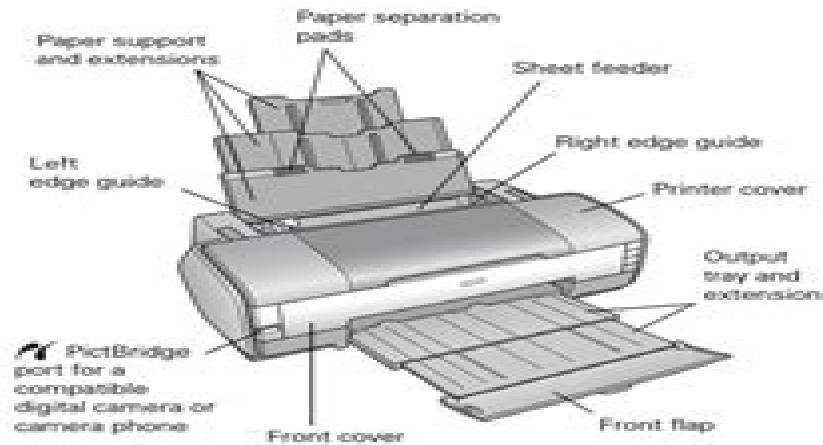


## Printer Parts



## Accessories

You can purchase genuine Epson ink and paper from an Epson authorized reseller. To find the nearest reseller, call 800-GO-EPSON (800-463-7766). Or you can purchase online at [www.epsonstore.com](http://www.epsonstore.com) (U.S. sales) or [www.epson.ca](http://www.epson.ca) (Canadian sales).

## Ink Cartridges

Use these Epson ink cartridges within six months of installing them and before the expiration date on the package.

Ink cartridge	Part number
Black	79 (T079120)
Cyan	79 (T079220)
Magenta	79 (T079320)
Yellow	79 (T079420)
Light Cyan	79 (T079520)
Light Magenta	79 (T079620)

**Caution:** To ensure the best results, use genuine Epson ink cartridges and do not refill them. Other products may cause damage to your printer not covered by Epson's warranty.

# **Epson Stylus Photo 1400 Inkjet Printer Manual**

**Karin Kylander, Olof S. Kylander**



Epson Stylus Photo 1400 Inkjet Printer Manual

*British Journal of Photography* ,2009

Travel & Leisure ,2007-05

*STRUCTURED COMPUTER ORGANIZATION* ,1996

**PC Magazine** ,2001

**New Dimensions in Photo Processes** Laura Blacklow,2018-05-04 New Dimensions in Photo Processes invites artists in all visual media to discover contemporary approaches to historical techniques Painters printmakers and photographers alike will find value in this practical book as these processes require little to no knowledge of photography digital means or chemistry Easy to use in a studio or lab this edition highlights innovative work by internationally respected artists such as Robert Rauschenberg Chuck Close Mike and Doug Starn and Emmet Gowin In addition to including new sun printing techniques such as salted paper and lumen printing this book has been updated throughout from pinhole camera and digital methods of making color separations and contact negatives to making water color pigments photo sensitive and more With step by step instructions and clear safety precautions New Dimensions in Photo Processes will teach you how to Reproduce original photographic art collages and drawings on paper fabric metal and other unusual surfaces Safely mix chemicals and apply antique light sensitive emulsions by hand Create imagery in and out of the traditional darkroom and digital studio Relocate photo imagery and make prints from real objects photocopies and pictures from magazines and newspapers as well as from your digital files and black and white negatives Alter black and white photographs smart phone images and digital prints

**GIMP** Karin Kylander,Olof S. Kylander,1999 The authors comprehensively cover GIMP by teaching readers all aspects ranging from installing to scripting to working faster and more efficiently through shortcuts Features a 32 page Color Studio with inspiring images readers can create by learning all of the program s techniques in the book The CD ROM contains core GIMP software plug ins and libraries that add file formats and effects to harness the power of this expandable and extensible program

301 Inkjet Tips and Techniques Andrew Darlow,2007 Typography

**Macworld** ,1999

Troubleshooting Injection Moulding Vanessa Goodsgip,2004 Annotation Injection moulding is one of the most commonly used processing technologies for plastics materials Proper machine set up part and mould design and material selection can lead to high quality production This review outlines common factors to check when preparing to injection mould components so that costly mistakes can be avoided This review examines the different types of surface defects that can be identified in plastics parts and looks at ways of solving these problems Useful flow charts to illustrate possible ways forward are included Case studies and a large b257 of figures make this a very useful report

**The Art Direction Handbook for Film** Michael Rizzo,2013-07-18 Whether you d like to be an art director or already are one this book contains valuable solutions that will help you get ahead This comprehensive thorough professional manual details the set up of the art department and the day to day job duties scouting for locations research executing the design concept constructing scenery and surviving production You will not only learn how to do the job but how to succeed and secure future jobs Rounding out the text is an extensive collection of useful forms and checklists along with interviews with prominent art directors relevant real life anecdotes and blueprints sketches photographs and stills from Hollywood sets

**Digital Alchemy** Bonny Pierce Lhotka,2010-12-20 In Digital Alchemy acclaimed printmaker Bonny Pierce Lhotka shows how to turn your standard inkjet printer into a seemingly magical instrument capable of transforming your printed images into true works of art Using plenty of visuals and straightforward terms Lhotka walks you step by step through over a dozen projects Forget printing on boring old paper in Digital Alchemy you ll learn how to transfer and print images to a variety of surfaces including metal wood fabric stone and plastic using the techniques Lhotka s spent years developing If you re a photographer looking for new ways to personalize your work or a digital artist who s ready to take your work to the next level you ll find all of the tools techniques and inspiration you need in this book Lhotka s enthusiasm for experimenting with unusual printing materials and processes has led her to create new and amazing transfer techniques including one that resembles a Polaroid™ transfer on steroids She also shows you how to make prints using unexpected everyday materials such as hand sanitizer and gelatin You ll even learn direct printing the technique for sending your custom substrate through your printer almost as if it were paper In Digital Alchemy you ll learn how to Transfer images to metal wood plastic and other materials that will not feed through an inkjet printer Print directly on metal for a fraction of the cost of using a print service Simulate a print from an expensive UV flatbed printer using an inexpensive desktop printer Use carrier sheets and paintable precoats to print on almost any surface Achieve near lithographic quality digital prints with transfer processes to uncoated fine art paper In addition to the tutorials in the book you can watch Lhotka in action on the included DVD ROM which has over 60 minutes of video footage where you ll learn how to perform an alcohol gel transfer transfer an image to a wooden surface use your inkjet printer to achieve remarkable prints and more Simply insert the DVD ROM into your computer s DVD drive Note this DVD ROM will not work in TV DVD players

**The Complete Idiot's Guide to Computer Basics, 5th Edition** Joe Kraynak,2009-02-03 Time for an upgrade The fifth edition of The Complete Idiot s Guide to Computer Basics places the reader in charge of the computer rather than the other way around and places the focus on software troubleshooting rather than hardware techno babble The reader wants to do something practical with his or her computer this book shows them how Covers basic office programs and how to manage photo video and music files Advice on safe web surfing including coverage of newsgroups message boards and mailing lists New green computing initiatives that help protect the environment Maintenance and upgrading information

**Real World Print Production with Adobe Creative Cloud** Claudia McCue,2014 Sharpen your print production skills with this definitive resource created specifically for design professionals who need to create files using the Adobe Creative Cloud including InDesign Photoshop Illustrator and Acrobat and output for printing The previous edition was steady seller helping designers who have no training in print get up and running quickly and not make expensive mistakes on their projects Completely updated for CS6 and the CC this book also helps designers with some print experience tackle more complex projects The book covers all the Adobe Suite programs they need to know to produce successful projects rather than buying 4 or 5 different books This book is considered the complete resource for understanding the print cycle how ink works on paper managing fonts using color spaces handling images and preparing files for print or electronic output Print expert Claudia McCue shares her hands on techniques to prepare files edit photos and graphics and prevent common problems without missing a deadline This book is brimming with insightful advice illustrations and shortcuts that will have you quickly and professionally producing your work in no time Covers Acrobat XI InDesign CC Photoshop CC and Illustrator CC for Macintosh and Windows

**Computers in Africa** ,1999

The HDRI Handbook 2.0 Christian Bloch,2013-01-01 BONUS DVD ONLY WITH THE PRINT EDITION NOT AVAILABLE WITH eBooks In 2007 The HDRI Handbook was the first book to present this revolutionary new field to a larger audience These days HDRI is a fully mature technology available to everyone Real estate and landscape photographers have adopted it as part of their regular workflow it has become one of the hottest trends for ambitious amateurs and creative professionals alike and the modern movie industry would be completely dysfunctional without it Now The HDRI Handbook 2 0 redefines its own gold standard It has been completely rewritten and is packed with practical hints and tips background knowledge reference tools breathtaking artist portfolios and inspiring interviews The book includes dozens of new step by step tutorials Beginners will get a methodically solid introduction and advanced readers will be able to refine their technique to perfection Topics include Understanding the foundation of HDRI HDR software comparisons and evaluations Capturing HDR images today and tomorrow Tonemapping for creating superior prints HDR image processing and compositing Shooting and stitching HDR panoramas Image based lighting and CG rendering 2 0 updates include New cameras sensors and HDR beamsplitter rigs Open Camera Controller for endless auto bracketing Correct RAW pre processing and ghost removal Dozens of practical easy to follow tutorials A structured approach to tonemapping inspired by Ansel Adams Set etiquette and tips for capturing HDR panos for visual effects Seven artist spotlights showing unique perspectives on HDRI Seven crossword puzzles a fun way to test yourself BONUS DVD ONLY WITH THE PRINT EDITION NOT AVAILABLE WITH eBooks

*The Apple Macintosh Book* Cary Lu, Ellen W. Chu, 1988 Lu again provides an authoritative and comprehensive look at the entire Mac family including its design philosophy architecture hardware and software options and significant user issues

*New Dimensions in Photo Processes* Laura Blacklow,2012-09-10 Clear instructions and step by step photographs teach you how to mix chemicals and apply light sensitive emulsions by hand how to create imagery in and out of the darkroom how to translocate Polaroid photos and magazine and newspaper pictures and how to alter black and white photographs A color portfolio highlights the work of internationally known artists such as Robert Rauschenberg Todd Walker and most recently Doug and Mike Starn and an invaluable list of supply sources including e mail addresses from throughout North America and Europe is included at the end of the book Setting aside old distinctions between photographer and nonphotographer *New Dimensions in Photo Processes* invites artists in all media to discover nonsilver imaging techniques Painters printmakers fiber artists sculptors illustrators and photographers alike will find this a valuable practical text outlining creative processes that require little or no knowledge of photography and chemistry

**Communication, Control, and Computer Access for Disabled and Elderly Individuals** Dale Bengston,1987 Grant G008300045 Resourcebook 3 doc resume

Mac 911 Christopher Breen,2002 This easy to use guide covers troubleshooting tips and tricks for Mac hardware and software written by the well known Macworld columnist and Macintosh guru Chris Breen The book contains troubleshooting tips and techniques for both Mac OS 9 and OS X and additional projects for making a Macintosh more productive sharing files making Mac OS X work more like Mac OS 9 and more

**Fine Art Printing for Photographers** Uwe Steinmueller,Juergen Gulbins,2010-12-21 Today s digital cameras provide image data files allowing large format output at high resolution At the same time printing technology has moved forward at an equally fast pace bringing us new inkjet systems capable of printing in high precision at a very fine resolution providing an amazing tonality range and longtime stability of inks Moreover these systems are now affordable to the serious photographer In the hands of knowledgeable and experienced photographers these new inkjet printers can help create prints comparable to the highest quality darkroom prints on photographic paper This book provides the necessary foundation for fine art printing The understanding of color management profiling paper and inks It demonstrates how to set up the printing workflow as it guides the reader step by step through this process from an image file to an outstanding fine art print

Yeah, reviewing a books **Epson Stylus Photo 1400 Inkjet Printer Manual** could add your close connections listings. This is just one of the solutions for you to be successful. As understood, triumph does not suggest that you have extraordinary points.

Comprehending as without difficulty as conformity even more than extra will allow each success. bordering to, the message as without difficulty as acuteness of this Epson Stylus Photo 1400 Inkjet Printer Manual can be taken as without difficulty as picked to act.

<https://offsite.creighton.edu/data/scholarship/index.jsp/love%20bite%20killer.pdf>

[https://offsite.creighton.edu/data/scholarship/index.jsp/Lost\\_Continent\\_Of\\_Mu.pdf](https://offsite.creighton.edu/data/scholarship/index.jsp/Lost_Continent_Of_Mu.pdf)

[https://offsite.creighton.edu/data/scholarship/index.jsp/living\\_with\\_a\\_borderline\\_mother.pdf](https://offsite.creighton.edu/data/scholarship/index.jsp/living_with_a_borderline_mother.pdf)

## **Table of Contents Epson Stylus Photo 1400 Inkjet Printer Manual**

1. Understanding the eBook Epson Stylus Photo 1400 Inkjet Printer Manual
  - The Rise of Digital Reading Epson Stylus Photo 1400 Inkjet Printer Manual
  - Advantages of eBooks Over Traditional Books
2. Identifying Epson Stylus Photo 1400 Inkjet Printer Manual
  - Exploring Different Genres
  - Considering Fiction vs. Non-Fiction
  - Determining Your Reading Goals
3. Choosing the Right eBook Platform
  - Popular eBook Platforms
  - Features to Look for in an Epson Stylus Photo 1400 Inkjet Printer Manual
  - User-Friendly Interface
4. Exploring eBook Recommendations from Epson Stylus Photo 1400 Inkjet Printer Manual
  - Personalized Recommendations
  - Epson Stylus Photo 1400 Inkjet Printer Manual User Reviews and Ratings
  - Epson Stylus Photo 1400 Inkjet Printer Manual and Bestseller Lists
5. Accessing Epson Stylus Photo 1400 Inkjet Printer Manual Free and Paid eBooks

- Epson Stylus Photo 1400 Inkjet Printer Manual Public Domain eBooks
  - Epson Stylus Photo 1400 Inkjet Printer Manual eBook Subscription Services
  - Epson Stylus Photo 1400 Inkjet Printer Manual Budget-Friendly Options
6. Navigating Epson Stylus Photo 1400 Inkjet Printer Manual eBook Formats
    - ePub, PDF, MOBI, and More
    - Epson Stylus Photo 1400 Inkjet Printer Manual Compatibility with Devices
    - Epson Stylus Photo 1400 Inkjet Printer Manual Enhanced eBook Features
  7. Enhancing Your Reading Experience
    - Adjustable Fonts and Text Sizes of Epson Stylus Photo 1400 Inkjet Printer Manual
    - Highlighting and Note-Taking Epson Stylus Photo 1400 Inkjet Printer Manual
    - Interactive Elements Epson Stylus Photo 1400 Inkjet Printer Manual
  8. Staying Engaged with Epson Stylus Photo 1400 Inkjet Printer Manual
    - Joining Online Reading Communities
    - Participating in Virtual Book Clubs
    - Following Authors and Publishers Epson Stylus Photo 1400 Inkjet Printer Manual
  9. Balancing eBooks and Physical Books Epson Stylus Photo 1400 Inkjet Printer Manual
    - Benefits of a Digital Library
    - Creating a Diverse Reading Collection Epson Stylus Photo 1400 Inkjet Printer Manual
  10. Overcoming Reading Challenges
    - Dealing with Digital Eye Strain
    - Minimizing Distractions
    - Managing Screen Time
  11. Cultivating a Reading Routine Epson Stylus Photo 1400 Inkjet Printer Manual
    - Setting Reading Goals Epson Stylus Photo 1400 Inkjet Printer Manual
    - Carving Out Dedicated Reading Time
  12. Sourcing Reliable Information of Epson Stylus Photo 1400 Inkjet Printer Manual
    - Fact-Checking eBook Content of Epson Stylus Photo 1400 Inkjet Printer Manual
    - Distinguishing Credible Sources
  13. Promoting Lifelong Learning
    - Utilizing eBooks for Skill Development



- Exploring Educational eBooks
- 14. Embracing eBook Trends
  - Integration of Multimedia Elements
  - Interactive and Gamified eBooks

### **Epson Stylus Photo 1400 Inkjet Printer Manual Introduction**

In the digital age, access to information has become easier than ever before. The ability to download Epson Stylus Photo 1400 Inkjet Printer Manual has revolutionized the way we consume written content. Whether you are a student looking for course material, an avid reader searching for your next favorite book, or a professional seeking research papers, the option to download Epson Stylus Photo 1400 Inkjet Printer Manual has opened up a world of possibilities. Downloading Epson Stylus Photo 1400 Inkjet Printer Manual provides numerous advantages over physical copies of books and documents. Firstly, it is incredibly convenient. Gone are the days of carrying around heavy textbooks or bulky folders filled with papers. With the click of a button, you can gain immediate access to valuable resources on any device. This convenience allows for efficient studying, researching, and reading on the go. Moreover, the cost-effective nature of downloading Epson Stylus Photo 1400 Inkjet Printer Manual has democratized knowledge. Traditional books and academic journals can be expensive, making it difficult for individuals with limited financial resources to access information. By offering free PDF downloads, publishers and authors are enabling a wider audience to benefit from their work. This inclusivity promotes equal opportunities for learning and personal growth. There are numerous websites and platforms where individuals can download Epson Stylus Photo 1400 Inkjet Printer Manual. These websites range from academic databases offering research papers and journals to online libraries with an expansive collection of books from various genres. Many authors and publishers also upload their work to specific websites, granting readers access to their content without any charge. These platforms not only provide access to existing literature but also serve as an excellent platform for undiscovered authors to share their work with the world. However, it is essential to be cautious while downloading Epson Stylus Photo 1400 Inkjet Printer Manual. Some websites may offer pirated or illegally obtained copies of copyrighted material. Engaging in such activities not only violates copyright laws but also undermines the efforts of authors, publishers, and researchers. To ensure ethical downloading, it is advisable to utilize reputable websites that prioritize the legal distribution of content. When downloading Epson Stylus Photo 1400 Inkjet Printer Manual, users should also consider the potential security risks associated with online platforms. Malicious actors may exploit vulnerabilities in unprotected websites to distribute malware or steal personal information. To protect themselves, individuals should ensure their devices have reliable antivirus software installed and validate the legitimacy of the websites they are downloading from. In conclusion, the ability to download Epson Stylus Photo 1400 Inkjet Printer Manual has

transformed the way we access information. With the convenience, cost-effectiveness, and accessibility it offers, free PDF downloads have become a popular choice for students, researchers, and book lovers worldwide. However, it is crucial to engage in ethical downloading practices and prioritize personal security when utilizing online platforms. By doing so, individuals can make the most of the vast array of free PDF resources available and embark on a journey of continuous learning and intellectual growth.

### **FAQs About Epson Stylus Photo 1400 Inkjet Printer Manual Books**

**What is a Epson Stylus Photo 1400 Inkjet Printer Manual PDF?** A PDF (Portable Document Format) is a file format developed by Adobe that preserves the layout and formatting of a document, regardless of the software, hardware, or operating system used to view or print it. **How do I create a Epson Stylus Photo 1400 Inkjet Printer Manual PDF?** There are several ways to create a PDF: Use software like Adobe Acrobat, Microsoft Word, or Google Docs, which often have built-in PDF creation tools. Print to PDF: Many applications and operating systems have a "Print to PDF" option that allows you to save a document as a PDF file instead of printing it on paper. Online converters: There are various online tools that can convert different file types to PDF. **How do I edit a Epson Stylus Photo 1400 Inkjet Printer Manual PDF?** Editing a PDF can be done with software like Adobe Acrobat, which allows direct editing of text, images, and other elements within the PDF. Some free tools, like PDFescape or Smallpdf, also offer basic editing capabilities. **How do I convert a Epson Stylus Photo 1400 Inkjet Printer Manual PDF to another file format?** There are multiple ways to convert a PDF to another format: Use online converters like Smallpdf, Zamzar, or Adobe Acrobats export feature to convert PDFs to formats like Word, Excel, JPEG, etc. Software like Adobe Acrobat, Microsoft Word, or other PDF editors may have options to export or save PDFs in different formats. **How do I password-protect a Epson Stylus Photo 1400 Inkjet Printer Manual PDF?** Most PDF editing software allows you to add password protection. In Adobe Acrobat, for instance, you can go to "File" -> "Properties" -> "Security" to set a password to restrict access or editing capabilities. Are there any free alternatives to Adobe Acrobat for working with PDFs? Yes, there are many free alternatives for working with PDFs, such as: LibreOffice: Offers PDF editing features. PDFsam: Allows splitting, merging, and editing PDFs. Foxit Reader: Provides basic PDF viewing and editing capabilities. How do I compress a PDF file? You can use online tools like Smallpdf, ILovePDF, or desktop software like Adobe Acrobat to compress PDF files without significant quality loss. Compression reduces the file size, making it easier to share and download. Can I fill out forms in a PDF file? Yes, most PDF viewers/editors like Adobe Acrobat, Preview (on Mac), or various online tools allow you to fill out forms in PDF files by selecting text fields and entering information. Are there any restrictions when working with PDFs? Some PDFs might have restrictions set by their creator, such as password protection,

editing restrictions, or print restrictions. Breaking these restrictions might require specific software or tools, which may or may not be legal depending on the circumstances and local laws.

**Find Epson Stylus Photo 1400 Inkjet Printer Manual :**

**love bite killer**

lost continent of mu

**living with a borderline mother**

logarithmic parent functions

linear algebra with applications

life span perspective definition

lord of the flies critical review

love yourself worksheet

low back pain examination pdf

**love signs book**

**linear and nonlinear programming**

lighting mcqueen cake

*lucky luke hunting books*

*loom knitting patterns for beginners*

living environment regents questions by topic with answers

**Epson Stylus Photo 1400 Inkjet Printer Manual :**

*lexikon der antiken christlichen literatur lehrerbibliothek de* - Jan 07 2023

web das lexikon der christlichen antike lca ist eine gemeinschaftsleistung von 24 ganz überwiegend österreichischen und hier wiederum hauptsächlich in graz tätigen

*lexikon der antiken christlichen literatur google books* - May 11 2023

web lexikon der christlichen antike bauer johannes b hutter manfred felber anneliese isbn 9783520332011 kostenloser versand für alle bücher mit versand und verkauf

**lexikon der antiken christlichen literatur bsz bw de** - Nov 05 2022

web das lexikon der antiken christlichen literatur lacl liefert kompakte Übersicht über leben und werke der antiken

christlichen autoren bis 735 n chr präzise information  
[lexikon der christlichen antike bücher de](#) - Feb 08 2023

web das lexikon der antiken christlichen literatur lacl liefert kompakte Übersicht über leben und werke der antiken christlichen autoren bis 735 n chr präzise information  
[reallexikon antike und christentum](#) - Jun 12 2023

web lexikon der antiken christlichen literatur siegmar döpp wilhelm geerlings herder 1998 christian literature 652 pages  
**lexikon der antiken christlichen literatur uni bamberg de** - Jul 13 2023

web das reallexikon für antike und christentum ist die zentrale und umfassende enzyklopädie zur erforschung der wechselwirkungen zwischen dem frühen christentum und dem  
**lexikon christlichen antike zvab** - Oct 24 2021

web lexikon der antiken christlichen literatur siegmar döpp wilhelm geerlings herder 2002 christian literature 763 pages  
**lexikon der antiken christlichen literatur request pdf** - Dec 26 2021

web lexikon der antiken christlichen literatur bücher gebraucht antiquarisch neu kaufen preisvergleich käuferschutz wir bücher  
*reallexikon für antike und christentum wikipedia* - Aug 14 2023

web support forschungsinformationssystem fis at uni bamberg de universitätsbibliothek publikationswesen 0951 863 1568  
**lexikon der antiken christlichen literatur zvab** - Jan 27 2022

web jan 1 2002 request pdf on jan 1 2002 siegmar döpp and others published lexikon der antiken christlichen literatur find read and cite all the research you need on  
**rub wissenschaftler lexikon der antiken christlichen literatur** - Feb 25 2022

web lexikon der antiken christlichen literatur von döpp siegmar wilhelm geerlings hrsg und eine große auswahl ähnlicher bücher kunst und sammlerstücke erhältlich auf  
[reallexikon für antike und christentum rac anton](#) - Apr 29 2022

web lexikon der christlichen antike kröners taschenausgabe finden sie alle bücher von bauer johannes b hutter manfred felber anneliese bei der büchersuchmaschine  
**lexikon der antike wikipedia** - Jul 01 2022

web nov 26 2020 language german reallexikon für antike und christentum addeddate 2020 11 26 03 03 50 identifier  
reallexikon für antike und christentum identifier ark  
[lexikon der antiken christlichen literatur google books](#) - Sep 22 2021

*reallexikon für antike und christentum archive org* - May 31 2022

web das auf etwa 35 bände angelegte reallexikon für antike und christentum ist das zentrale und umfassende nachschlagwerk zur erforschung der spätantike also der epoche die

**lexikon der christlichen antike bsz bw de** - Dec 06 2022

web das lexikon der antiken christlichen literatur auf dem schutzumschlag vorgeschlagene abkürzung lacl versteht sich nach den worten der herausgeber als nachfolger des

description lexikon der antiken christlichen literatur ixtheo - Aug 02 2022

web das lexikon der antike ist eines der meistverbreiteten lexika zur klassischen antike im deutschsprachigen raum das lexikon der antike war eines der ersten großprojekte

*lexikon der christlichen antike gebunden oder broschiert* - Mar 29 2022

web die artikel in diesem einzigartigen nachschlagewerk erleichtern die orientierung und geben einen Überblick in die prozesse der entwicklung des christentums von seinen anfängen

**rub wissenschaftler lexikon der antiken christlichen literatur** - Sep 03 2022

web das lexikon der antiken christlichen literatur lacl liefert kompakte Übersicht über leben und werke der antiken christlichen autoren bis 735 n chr präzise information

**lexikon der antiken christlichen literatur gebundene** - Mar 09 2023

web lexikon der christlichen antike mitarbeit bauer johannes b hutter manfred felber anneliese

**staff view lexikon der antiken christlichen literatur ixtheo** - Oct 04 2022

web ruhr universität bochum ein neues lexikon der antiken christlichen literatur haben soeben prof dr siegmar döpp klassische philologie früher rub heute univ

*lexikon der antiken christlichen literatur booklooker* - Nov 24 2021

web lexikon der kunstmotive antike und christliche welt von gert richter und eine große auswahl ähnlicher bücher kunst und sammlerstücke erhältlich auf zvb com

lexikon der christlichen antike amazon de - Apr 10 2023

web lexikon der antiken christlichen literatur döpp siegmar geerlings wilhelm bruns peter röwekamp georg skeb matthias windau bettina isbn 9783451277764

**tierfreischnauze zwischen orient und okzident weltbild** - Feb 01 2023

web bücher bei weltbild jetzt tierfreischnauze zwischen orient und okzident von petra canan versandkostenfrei bestellen bei weltbild ihrem bücher spezialisten

*tierfreischnauze zwischen orient und okzident overdrive* - Jun 05 2023

web jul 7 2017 mit diesem buch führen wir euch tief in die kulinarischen genüsse der türkei ein euch erwartet eine gesunde schmackhafte küche in der gemüse und

*tierfreischnauze zwischen orient und okzident orell füssli* - Dec 31 2022

web jetzt online bestellen heimlieferung oder in filiale tierfreischnauze zwischen orient und okzident vegan mutfak von petra canan heidi terpoorten orell füssli der

tierfreischnauze zwischen orient und okzident rin - Mar 22 2022

web tierfreischnauze zwischen orient und okzident rin 1 tierfreischnauze zwischen orient und okzident rin recognizing the way ways to acquire this ebook

tierfreischnauze vegane rezepte mit und ohne thermomix - Jun 24 2022

web zwischen orient und okzident inhaltsverzeichnis rezepte galerie tierfreischnauze s likörchen pedi s knallige fastenrezepte alle auf einen blick fehlerteufel unsere

**tierfreischnauze zwischen orient und okzident rin copy** - Sep 27 2022

web tierfreischnauze zwischen orient und okzident rin downloaded from dev awamaki org by guest haney erin holocaust studies routledge the intermediate sex by e

**tierfreischnauze zwischen orient und okzident rin stage gapinc** - Jul 26 2022

web tierfreischnauze zwischen orient und okzident taschenbuch origins of political extremism path dependence and regional economic renewal after god the

tierfreischnauze zwischen orient und okzident vegan mutfak - May 04 2023

web tierfreischnauze zwischen orient und okzident vegan mutfak canan petra terpoorten heidi isbn 9783744851855 kostenloser versand für alle bücher mit

**tierfreischnauze zwischen orient und okzident rin pdf** - Aug 27 2022

web 4 tierfreischnauze zwischen orient und okzident rin 2022 12 18 the great war is vividly rendered by a great story teller the central characters and events of this book

*tierfreischnauze zwischen orient und okzident rin 2022* - May 24 2022

web tierfreischnauze zwischen orient und okzident ringbuch multimodality multimodality growing rapidly 2012 2014 turandot s sisters tierfreischnauze zwischen orient und

**jetzt ab sofort im handel unser kochbuch zwischen orient und** - Jul 06 2023

web jun 25 2017 tierfreischnauze zwischen orient und okzident wird in mehr als 1000 shops deutschland Österreich und schweiz gelistet oder ihr bestellt es anhand der

*tierfreischnauze zwischen orient und okzident rin* - Feb 18 2022

web tierfreischnauze zwischen orient und okzident ringbuch tierfreischnauze zwischen orient und okzident taschenbuch the routledge handbook of language

*tierfreischnauze zwischen orient und okzident rin 2023 repo* - Oct 29 2022

web tierfreischnauze zwischen orient und okzident rin 3 3 challenges it is essential to recognise the role that ecological integrity has played and must play in governance for

**tierfreischnauze zwischen orient und okzident ringbuch** - Aug 07 2023

web der tm und die türkische küche das passt nicht ganz so gut dennoch haben wir für euch so einiges passendes zusammengestellt oftmals verwenden auch wir hier den kochtopf

tierische freundschaft zwischen verschiedenen arten - Dec 19 2021

web jan 12 2023 die freundschaft zwischen tieren scheint der natur zu widersprechen denn in der wildnis geht es vorwiegend um jäger und opfer oder konkurrenten tierische

**ungewöhnliche tier freundschaften** - Jan 20 2022

web ungewöhnliche freundschaft zwischen einem orang utan und einem hund in south carolina machte der orang utan suriya einen ausflug mit seinem besitzer dabei

**tierfreischnauze zwischen orient und okzident rin** - Apr 22 2022

web tierfreischnauze zwischen orient und okzident rin is available in our book collection an online access to it is set as public so you can download it instantly our digital library

**tierfreischnauze zwischen orient und okzident apple books** - Nov 29 2022

web jun 22 2017 mit diesem buch führen wir euch tief in die kulinarischen genüsse der türkei ein euch erwartet eine gesunde schmackhafte küche in der gemüse und

*tierfreischnauze zwischen orient und okzident rin stage gapinc* - Nov 17 2021

web tierfreischnauze zwischen orient und okzident ringbuch language education and uyghur identity in urban xinjiang path dependence and regional economic renewal

**tierfreischnauze zwischen orient und okzident thalia at** - Mar 02 2023

web Über 5 000 000 bücher versandkostenfrei bei thalia tierfreischnauze zwischen orient und okzident von petra canan heidi terpoorten und weitere bücher einfach online

*tierfreischnauze zwischen orient und okzident rin* - Oct 09 2023

web orient und occident insbesondere in ihren gegenseitigen beziehungen jul 10 2022 ursprung aufleben grösse herrschaft verfall und jetzige zustände sämtlicher mönchs und klosterfrauen orden im orient und occident nov 21 2020

tierfreischnauze zwischen orient und okzident rin copy - Sep 08 2023

web zwischen europa und asien hier berhren sich orient und okzident indem mak die berhmte galatabrcke berquert macht er sich auf die suche nach dem innersten der

**tierfreischnauze zwischen orient und okzident rin larry peer** - Apr 03 2023

web this tierfreischnauze zwischen orient und okzident rin as one of the most enthusiastic sellers here will very be among the best options to review mathematics for

**electric drive solution manual pdf scribd** - Apr 14 2023

electrical drives jul 19 2022 from the point of view of a user this book covers all aspects of modern electrical drives it is aimed at both users who wish to understand design use and

[solution manual for electrical drive gopal matthew n o sadiku](#) - Nov 09 2022

amazon in buy electrical drives book online at best prices in india on amazon in read electrical drives book reviews author details and more at amazon in free delivery on

[solution manual for electrical drive gopal](#) - Mar 01 2022

electrical drives by gopal k dubey solution manual for electrical driveelectric drive solution manual free download as pdf file pdf text file txt or read online for free

**pdf solution manual for electrical drive gopal** - Mar 13 2023

aug 3 2023 solution manual for electrical drive gopal 1 9 downloaded from uniport edu ng on august 3 2023 by guest solution manual for electrical drive gopal when somebody

**solution manual for electrical drive gopal katsuhiko ogata** - Jan 31 2022

may 26 2023 solution manual for electrical drive gopal 2 8 downloaded from uniport edu ng on may 26 2023 by guest users of electric motors and drives this book explains how

**solution manual for electrical drive gopal pdf uniport edu** - Oct 08 2022

mar 25 2023 you could purchase guide solution manual for electrical drive gopal or acquire it as soon as feasible you could speedily download this solution manual for electrical drive

**solution manual for electrical drive gopal pdf uniport edu** - Apr 02 2022

fundamentals of electric drives mohamed a el sharkawi 2000 this text fills a need for a textbook that presents the basic topics and fundamental concepts underlying electric

**solution manual to fundamentals of electrical drives** - Sep 19 2023

solution manual to fundamentals of electrical drives author gopal k dubey publisher narosa publishing 1995 isbn 817319050x 9788173190506 length 123 pages export

*solution manual for electrical drive gopal download only usa* - Dec 30 2021



jun 23 2022 electrical power system mcq power system objective questions and answers pdf download hindi english  
electrical drives objective mcq in hindi pdf download in

*gk dubey solutions of electric drive pdf e books scribd* - Jun 16 2023

mar 21 2023 read free solution manual for electrical drive gopal pdf for free electric drives electric drives electrical drives  
fundamentals of electrical drives

**solution manual for electrical drive gopal pdf uniport edu** - Feb 12 2023

jun 21 2023 solution manual for electrical drive gopal 1 7 downloaded from uniport edu ng on june 21 2023 by guest

solution manual for electrical drive gopal yeah reviewing a

fundamentals of electrical drives second edition paperback - Jun 04 2022

mar 2 2023 solution manual for electrical drive gopal but end up in infectious downloads rather than enjoying a good book  
with a cup of tea in the afternoon instead they cope with

*electrical drives objective questions and answers pdf* - Oct 28 2021

electrical drives paperback 1 january 2010 amazon in - Sep 07 2022

solution manual to fundamentals of electrical drives gopal k dubey 1995 implementing the water energy food ecosystems  
nexus and achieving the sustainable development goals

**pdf fundamentals of electrical drives by gopal k** - Dec 10 2022

fundamentals of electrical drives dubey gopal k 2002 06 13 encouraged by the response to the first edition and to keep pace  
with recent developments fundamentals of electrical

*fundamentals of electrical drives 2001 gk dubey gopal k* - Jul 17 2023

fundamentals of electrical drives has ratings and 43 reviews fundamentals of electric drives dubey solution manual

fundamentals of electric drives by g k dubey

electric drive solution manual n13vr9nexasq1 doku - Aug 18 2023

fundamentals of electrical drives 2001 gk dubey gopal k dubey free ebook download as pdf file pdf text file txt or read book  
online for free fundamentals of electrical

*solution manual for electrical drive gopal pdf uniport edu* - Jan 11 2023

apr 23 2023 electrical drives second edition incorporates greater details on semi conductor controlled drives includes  
coverage of permanent magnet ac motor drives and switched

*solution manual for electrical drive gopal uniport edu* - May 03 2022

electric motors and drives austin hughes 2013 10 22 written for non specialist users of electric motors and drives this book

explains how electric drives work and compares the

**solution manual for electrical drive gopal pdf uniport edu** - Aug 06 2022

contents were chosen to satisfy the changing needs of the industry and provide the appropriate coverage of modern and conventional drives with the large number of examples problems

*solution manual for electrical drive gopal uniport edu* - Nov 28 2021

**read free solution manual for electrical drive gopal pdf for** - May 15 2023

electric drive solution manual free download as pdf file pdf text file txt or read online for free electric drive systems solution manual

[solution manual for electrical drive gopal pdf pdf](#) - Jul 05 2022

jun 7 2023 solution manual for electrical drive gopal is available in our digital library an online access to it is set as public so you can get it instantly our book servers hosts in