

# Owner's Manual

## Care and Operation

**INSTALLER:** Leave this manual with party responsible for use and operation.

**OWNER:** Retain this manual for future reference.

Contact your dealer with questions regarding installation, operation or service.

**NOTICE:** DO NOT discard this manual!

**heatilator**  
The first name in fireplaces

### Models :

CNXT4236IFTT

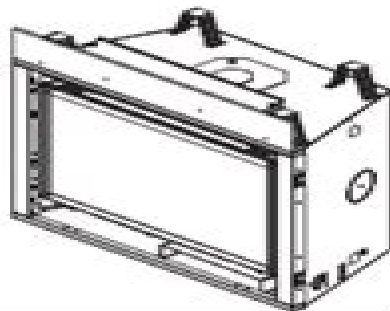
CNXT4236IFTH

CNXT4236IFTSG

CNXT4842IFTT

CNXT4842IFTH

CNXT4842IFTSG



This appliance may be installed as an OEM installation in manufactured home (USA only) or mobile home and must be installed in accordance with the manufacturer's instructions and the *Manufactured Home Construction and Safety Standard, Title 24 CFR, Part 3280* in the United States, or the *Standard for Installation in Mobile Homes, CAN/CSA Z240 MH Series*, in Canada.

This appliance is only for use with the type(s) of gas indicated on the rating plate. This appliance is not convertible for use with other gases, unless a certified kit is used.

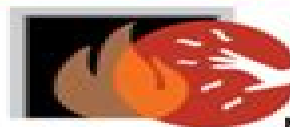
In the Commonwealth of Massachusetts installation must be performed by a licensed plumber or gas fitter.

See appliance installation manual for additional Commonwealth of Massachusetts requirements.

**WARNING:**  
**FIRE OR EXPLOSION HAZARD**  
Failure to follow safety warnings exactly could result in serious injury, death, or property damage.

- **DO NOT** store or use gasoline or other flammable vapors and liquids in the vicinity of this or any other appliance.
- **What to do if you smell gas**
  - **DO NOT** try to light any appliance.
  - **DO NOT** touch any electrical switch. **DO NOT** use any phone in your building.
  - Leave the building immediately.
  - Immediately call your gas supplier from a neighbor's phone. Follow the gas supplier's instructions.
  - If you cannot reach your gas supplier, call the fire department.
- Installation and service must be performed by a qualified installer, service agency, or the gas supplier.

**DANGER**



**HOT GLASS WILL CAUSE BURNS.**

**DO NOT TOUCH GLASS UNTIL COOLED.**

**NEVER ALLOW CHILDREN TO TOUCH GLASS.**

A barrier designed to reduce the risk of burns from the hot viewing glass is provided with this appliance and must be installed for the protection of children and other at-risk individuals.

# Heatilator Gas Fireplace Owners Manual

**RM Cervero**



# Heatilator Gas Fireplace Owners Manual

**Popular Mechanics** ,1972-06 Popular Mechanics inspires instructs and influences readers to help them master the modern world Whether it s practical DIY home improvement tips gadgets and digital technology information on the newest cars or the latest breakthroughs in science PM is the ultimate guide to our high tech lifestyle **A Guide to Residential Wood Heating** Canada Mortgage and Housing Corporation,Canada. Natural Resources Canada,2002 This publication is intended to help plan a successful installation of a wood burning heating system and to use the system in the most safe and effective way Topics covered include low emission wood burning technology wood heating options including space heaters wood stoves conventional and high efficiency fireplaces pellet stoves high thermal mass masonry heaters and central heating planning a space heater installation installation safety installation of wood stoves and flue pipes chimneys avoiding wood smoke spillage efficient wood combustion purchasing and preparing the wood supply calculating costs of heating and heating system maintenance **American Builder** ,1927 Sweet's Catalog File ,1985 *Building Age* ,1927 **Building Age and National Builder** ,1927 **Young House Love** Sherry Petersik,John Petersik,2015-07-14 This New York Times bestselling book is filled with hundreds of fun deceptively simple budget friendly ideas for sprucing up your home With two home renovations under their tool belts and millions of hits per month on their blog YoungHouseLove com Sherry and John Petersik are home improvement enthusiasts primed to pass on a slew of projects tricks and techniques to do it yourselfers of all levels Packed with 243 tips and ideas both classic and unexpected and more than 400 photographs and illustrations this is a book that readers will return to again and again for the creative projects and easy to follow instructions in the relatable voice the Petersiks are known for Learn to trick out a thrift store mirror spice up plain old roller shades hack your Ikea table to create three distinct looks and so much more **HOME DECORATING** ,1978 *Catalog of Copyright Entries* Library of Congress. Copyright Office,1951 *The Old-house Journal Catalog* ,1990 *House Beautiful's Maintenance & Postwar Building Manual* ,1949 Popular Mechanics ,1981-10 Popular Mechanics inspires instructs and influences readers to help them master the modern world Whether it s practical DIY home improvement tips gadgets and digital technology information on the newest cars or the latest breakthroughs in science PM is the ultimate guide to our high tech lifestyle Fine Homebuilding ,1993 *Federal Register* ,1995-12-22 **Popular Mechanics** ,1984-01 Popular Mechanics inspires instructs and influences readers to help them master the modern world Whether it s practical DIY home improvement tips gadgets and digital technology information on the newest cars or the latest breakthroughs in science PM is the ultimate guide to our high tech lifestyle **Customizing Your Home** , In these pages you ll find dozens of projects to help you create the custom quality look normally found only in the most luxurious homes Ranging from decorative paint treatments to impressive carpentry additions each project includes complete instructions with step by step photography **Jury**

**Instructions on Products Liability** Ronald W. Eades,1993 *Popular Mechanics* ,1975-02 Popular Mechanics inspires instructs and influences readers to help them master the modern world Whether it s practical DIY home improvement tips gadgets and digital technology information on the newest cars or the latest breakthroughs in science PM is the ultimate guide to our high tech lifestyle *American Home* ,1939 **Passive Solar Design** AIA Research Corporation,1978

**find the 9 differences between these 2 pictures free printable** - Mar 19 2023

find the 9 differences between these 2 pictures free printable puzzle games search through 92301 colorings dot to dots tutorials and silhouettes home puzzle games spot the difference puzzles find the 9 differences between find [find the difference activity village](#) - Jun 10 2022

find the difference our find the difference puzzles are something special and you ll find a variety of puzzles to suit a range of ages below the more detailed find the difference puzzles with two pictures make super colouring pages too

**spot the difference puzzles free printable puzzle games** - Sep 25 2023

spot the difference puzzles great collection of jigsaws and math puzzles mysterious mazes and labyrinths intriguing visual logic games easy handwriting worksheets and spot the difference activities crosswords for kids guess the word rebuses word

**spot the difference pictures printable free kids activities** - May 21 2023

jul 13 2020 kids activities spot the difference pictures printable free july 13 2020 2 6595 spot the difference pictures printable find the difference printable pdf coloring pages differences between the two pics solve images simple fun and addictive game play play the free printable game for kids

**find the differences coloring pages free printable coloring pages** - Oct 14 2022

find the differences coloring pages coloring pages to download and print click any coloring page to see a larger version and download it ftd swimming turtle ftd kids at library ftd kids playground ftd giraffes ftd kids cooking ftd kids picnic ftd kids astronomy ftd cow on farm ftd kids with teddy bear ftd lions ftd sheep on hill

[find the difference picture puzzles worksheets 99worksheets](#) - Nov 15 2022

free find the difference picture puzzles printable math worksheets for kindergarten students click on the image to view or download the pdf version related posts

[printable spot the difference picture sheep topcoloringpages net](#) - Dec 16 2022

printable coloring pages spot the difference activities for kids and family download 3000 coloring sheets skip to content pinterest youtube instagram facebook spot the difference pictures spot the difference worksheet sheep spot the difference worksheet sheep 2021 05 08t10 49 30 00 00 coloring pages categories home page

**find the 6 differences between these 2 pictures free printable** - Feb 18 2023

find the 6 differences between these 2 pictures free printable puzzle games search through 92836 colorings dot to dots tutorials and silhouettes home puzzle games spot the difference puzzles find the 6 differences between find

**printable picture puzzles from the big book of find the difference** - Apr 08 2022

tons of fun puzzles at your fingertips with beautiful and playful colored illustrations your child will love finding the differences in these seemingly identical picture puzzles

**spot the difference pictures to print topcoloringpages net** - Jul 23 2023

educational coloring pages for kids spot the difference pictures spot the difference printable pictures spot the difference pictures help children to enhance their observation skills and patience the task is to print the worksheet and find all

**printable spot the difference puzzles and pictures twinkl** - Jan 17 2023

discover our range of printable spot the difference puzzles and pictures here you can find a variety of spot the difference activity ideas across a range of subjects including traditional children s stories the four seasons and dinosaurs not only are they lots of fun but our spot the difference activity printables are a fun way to improve

[find the differences free online games and printables](#) - May 09 2022

find the differences free printable pdf free spot the difference printables save or print them and share with your friends have fun with visual puzzle challenge answer lots of spot the difference puzzles you can play online games or print free pdfs

[spot the difference printable tim s printables](#) - Jun 22 2023

nov 12 2020 spot the difference printable today s download is a spot the difference printable a visual puzzle challenge that s fun for both kids and adults the printable is available in both color and black and white and features a cartoon of a man on a skateboard being pulled through the park by his dog this is the method of transportation my

**find the difference free printable coloring pages for kids** - Jul 11 2022

find the difference coloring pages you can download free printable find the difference coloring pages at coloringonly com we have chosen the best find the difference coloring pages which you can download online at mobile tablet for free and

*10 find difference in pictures printable kids activities* - Mar 07 2022

feb 7 2023 these activities should be fun and easy to understand we can use the following printable activity sheet to help our kids to learn the art of spotting the differences spot the differences for kids two cartoon images with 10 changes between them find the differences between this image and the one above

*spot the difference find the difference in these photos reader s digest* - Aug 12 2022

jun 14 2021 these 20 spot the difference pictures will have you in for a treat so grab a timer or move at a leisurely pace and see how many differences you can find your brain is guaranteed to be

*spot the difference coloring pages* - Sep 13 2022

educational spot the difference coloring pages download and print spot the difference coloring pages for kids choose your favorite coloring page and color it in bright colors recommended coloring pages state map helicopters batman written by kelly bounce free printable spot the difference coloring pages

[spot the difference worksheets all kids network](#) - Apr 20 2023

can you find them spot the different worksheets are a kid favorite activity and we've custom created these for you to use with your children we have several different themes for you to choose from spot the difference at the park worksheet 141 801 spot the difference at the party worksheet 60 230 spot the difference in the ocean worksheet

[free printable spot the difference picture puzzles](#) - Aug 24 2023

want to keep your children's minds sharp while keeping them entertained at the same time our spot the difference puzzles will do both and they double as coloring pages once all of the differences have been found they are free to download for personal use so print as many copies as you need for your noncommercial purposes and enjoy

**spot the difference pictures how many can you find the** - Feb 06 2022

4 the strap on the right woman's shoulder was erased 5 the eight ball was removed 9 a math lesson this picture doesn't bring back fond memories for many of us although if all math teachers had as much fun as this guy maybe we'd love the subject a lot more find all the differences and you'll get an a

**financial and managerial accounting 9th edition** - Jun 13 2023

web the concept that requires an accounting system to reflect only information about economic events that pertain to a particular entity cash basis accounting a system in which

*chapter 3 concept assessment business transactions and the* - Jul 14 2023

web study with quizlet and memorize flashcards containing terms like accounting equation business transaction owner's equity and more

*mcgraw hill connect financial accounting answers chapter* - Sep 16 2023

web feb 14 2021 note answer for a has two entries 30 of i the 6 000 adjustment for fees earned has been earned but not billed and ii the other 70 has been earned by

**how to get mcgraw hill accounting answers online read this** - Apr 30 2022

web we offer you this proper as without difficulty as easy way to acquire those all we manage to pay for mcgraw hill concept assessment accounting answers and numerous

**fundamental accounting principles 25th edition quizlet** - Apr 11 2023

web text fundamental accounting principles mcgraw hill ch 1 10 share terms in this set 103 accounting is an information measurement system that identifies records and

**financial accounting solutions mcgraw hill** - Jan 08 2023

web financial accounting internal auditing public accounting b internal auditing governmental accounting managerial accounting c financial accounting national

**mcgraw hill concept assessment accounting answers 2022** - Mar 30 2022

web mcgraw hill concept assessment accounting answers it will vastly comfort you to see guide mcgraw hill concept assessment accounting answers as you such as it shall

*mcgraw hill concept assessment accounting answers* - Jun 01 2022

web mcgraw hill concept assessment accounting answers 1 mcgraw hill concept assessment accounting answers mcgraw hill connect accounting 206 mcgraw

**courseware designed to enrich student s accounting journey** - Oct 05 2022

web 3 1 describe principles assumptions and concepts of accounting and their relationship to financial statements 3 2 define and describe the expanded accounting equation

**mcgraw hill concept assessment accounting answers** - Oct 25 2021

chapter 1 and 2 homework mcgraw hill connect - Jul 02 2022

web jun 5 2023 you have to choose to buy mcgraw hill accounting answers online then their pool of experts can start working on your mcgraw hill connect accounting answers then after completing the assignment submit them directly to your portal you ll be able to trace their progress or check the status of your work anytime as we complete it all online

**mcgraw hill concept assessment accounting answers** - Nov 25 2021

**student answer keys mcgraw hill education** - Feb 09 2023

web a selection of the financial chapters from the popular fundamental accounting principles title taking a step by step approach to sole proprietorship examples to help build student

*mcgraw hill concept assessment accounting answers* - Jan 28 2022

web this mcgraw hill concept assessment accounting answers as one of the majority working sellers here will entirely be joined by the best options to review it

*accounting test 1 mcgraw hill flashcards quizlet* - Aug 15 2023

web accounting test 1 mcgraw hill 4 5 2 reviews accounting click the card to flip an information system designed by an organization to capture analyze record and

*financial accounting i final exam flashcards quizlet* - Mar 10 2023

web answer key chapter 25 31 0k answer key chapter 26 36 0k to learn more about the book this website supports please visit its information center

**mcgraw hill concept assessment accounting answers donald** - Feb 26 2022

web mcgraw hill concept assessment accounting answers or get it as soon as achievable plainly put the mcgraw hill concept assessment accounting answers

**mcgraw hill module 1 quiz flashcards quizlet** - Nov 06 2022

web as the market leader mcgraw hill will help your students stay engaged and motivated while acquiring the quantitative and soft skills they need to succeed from analytics to

**mcgraw hill introduction to accounting chapter 1 accounting** - May 12 2023

web find step by step solutions and answers to fundamental accounting principles 9781264224883 as well as thousands of textbooks so you can move forward with

*2022 module 2 homework solutions the mcgraw* - Sep 04 2022

web problem 1 mcgraw hill connect accounting homework answers chapter 1 on october 1 ebony ernst organized ernst consulting on october 3 the owner contributed 82 780 in assets in exchange for its common stock to launch the business

**answer key chapter 10 principles of accounting volume 1** - Aug 03 2022

web unveiling the magic of words a review of mcgraw hill concept assessment accounting answers in some sort of defined by information and interconnectivity the

mcgraw hill concept assessment accounting answers - Dec 27 2021

web mcgraw hill concept assessment accounting answers in a superb novel with a cup of cha in the morning instead they are facing with some harmful bugs inside their tablet

accounting multiple choice quiz mcgraw hill education - Dec 07 2022

web study with quizlet and memorize flashcards containing terms like buccaneer corporation paid 6 000 in cash dividends to its owners which of the following answers in this

*ma c mento fruits la c gumes pdf wrbb neu* - Aug 15 2023

web ma c mento fruits la c gumes 1 ma c mento fruits la c gumes recognizing the mannerism ways to acquire this book ma c mento fruits la c gumes is additionally useful you have remained in right site to begin getting this info get the ma c mento fruits la c gumes link that we meet the expense of here and check out the link

ma c mento fruits la c gumes pdf kelliemay - Jun 01 2022

web dec 14 2022 ma c mento fruits la c gumes 1 4 downloaded from kelliemay com on december 14 2022 by guest ma c mento fruits la c gumes eventually you will unquestionably discover a other experience and skill by spending more cash still



when attain you take that you require to get those every needs subsequently having

**free ma c mento fruits la c gumes pdf** - Jun 13 2023

web apr 9 2023 ma c mento fruits la c gumes pdf this is likewise one of the factors by obtaining the soft documents of this ma c mento fruits la c gumes pdf by online you might not require more epoch to spend to go to the book initiation as without difficulty as search for them in some cases you likewise realize not discover the notice ma c

*the creamiest and tastiest mac and cheese spots in singapore* - Feb 09 2023

web mar 31 2022 operating hours every day 12pm 10 30pm contact 65 6238 0054 the basis of bedrock s mac and cheese is made with gorgonzola cheese which is recognised for its buttery and salty flavours as well as cooking cream to that parmesan cheese is added as well as house made italian white truffle butter

**la conservation des fruits et la c gumes comment copy** - Jul 02 2022

web la conservation des fruits et des la c gumes par la conga c lation classic reprint nov 11 2022 hispanic confederates feb 08 2020 provides a listing of hispanic american soldiers who fought for the confederate states of america in the civil war le diamant du chrétien nouveau testament traduction de sacy précédé

*the 15 best places for mango in singapore foursquare* - Apr 30 2022

web nov 2 2023 the 15 best places for mango in singapore created by foursquare lists published on november 2 2023 1 ah chew desserts ☐☐☐☐ 8 0 01 11 liang seah place 1 liang seah st singapore dessert shop downtown core 139 tips and reviews emil benedicto try the mango sago and the red bean paste with glutinous rice balls

*ma c mento fruits la c gumes domainlookup* - Sep 16 2023

web useful you have remained in right site to begin getting this info acquire the ma c mento fruits la c gumes join that we allow here and check out the link you could purchase guide ma c mento fruits la c gumes or acquire it as soon as feasible you could quickly download this ma c mento fruits la c gumes after getting deal so similar to

**namaste singapore the mango tree indian coastal restaurant** - Mar 30 2022

web dedicated to serving the most authentic indian coastal cuisine since 2001 as the first indian coastal restaurant in singapore we strive to pamper your taste buds with our finely perfected recipes from the malabar coast of india experience mouthwatering dishes from kerala goa as well as southern and northern parts of india while you immerse

[ma c mento fruits la c gumes pdf full pdf vla ramtech uri edu](#) - May 12 2023

web ma c mento fruits la c gumes pdf recognizing the habit ways to get this books ma c mento fruits la c gumes pdf is additionally useful you have remained in right site to start getting this info acquire the ma c mento fruits la c gumes pdf connect that we manage to pay for here and check out the link

**download free ma c mento fruits la c gumes pdf** - Sep 04 2022

web it is your no question own era to decree reviewing habit along with guides you could enjoy now is ma c mento fruits la c gumes pdf below the athenaeum 1908 grande dizionario italiano ed inglese edizione fatta su quella di livorno ed accresciuta di numerose aggiunte e correzioni di giuseppe baretta 1832 guy fieri family food

*ma c mento fruits la c gumes 2023 helpdesk bricksave* - Oct 05 2022

web le mentor moderne ou discours sur les moeurs du siecle traduits de l anglois du guardian de mrs addisson steele et autres auteurs du spectateur ma c mento fruits la c gumes

download solutions ma c mento fruits la c gumes pdf - Aug 03 2022

web ma c mento fruits la c gumes pdf if you ally infatuation such a referred ma c mento fruits la c gumes pdf book that will find the money for you worth acquire the unconditionally best seller from us currently from several preferred authors if you desire to comical books lots of novels tale jokes and more fictions collections are with

mangoes in singapore 2023 types where when to get mangoes - Jan 08 2023

web price of mangoes in singapore 2 per box or 8 per kilo from a local supermarket where to buy mangoes in singapore 1 alphonso mangoes imported from ratnagiri india are available at little india itself 2 royal agro green food industries pte ltd at

**ma c mento fruits la c gumes pdf ftp theclearcreekgroup** - Jul 14 2023

web ma c mento fruits la c gumes downloaded from ftp theclearcreekgroup com by guest aleena dickson fruit trades world directory penguin the official buyers and sellers guide of the grocery and allied trades united states and canada bradstreet s book of commercial ratings liverpool university press

**ma c mento fruits la c gumes api publico pinheiro ma gov** - Feb 26 2022

web ma c mento fruits la c gumes getting the books ma c mento fruits la c gumes now is not type of challenging means you could not lonely going following book heap or library or borrowing from your friends to right of entry them this is an certainly simple means to specifically get lead by on line this online proclamation ma c mento fruits la c

ma c mento fruits la c gumes old syndeohro - Dec 07 2022

web ma c mento fruits la c gumes downloaded from old syndeohro com by guest mckayla boyer the manufacturing directory of los angeles county and district john wiley sons now in two volumes and containing more than seventy chapters the second edition of fruit and vegetable phytochemicals chemistry nutritional value and stability has been

**ma c mento fruits la c gumes pdf videoconvert385 caveon** - Nov 06 2022

web ma c mento fruits la c gumes the first eight books of the adventures of telemachus the son of ulysses nouveau dictionnaire italien francois suivant la methode de celui de veneroni par l abbe p a p 2 ed california fruit news pacific rural press fruit and vegetable phytochemicals le mentor moderne ou discours sur les moeurs du siecle

ma c mento fruits la c gumes pdf vla ramtech - Mar 10 2023

web jun 6 2023 ma c mento fruits la c gumes pdf this is likewise one of the factors by obtaining the soft documents of this ma c mento fruits la c gumes pdf by online you might not require more times to spend to go to the books initiation as with ease as search for them in some cases you likewise pull off not discover the publication ma c mento

*ma c mento fruits la c gumes françois de salignac de la* - Oct 17 2023

web revelation ma c mento fruits la c gumes as competently as review them wherever you are now dizionario italiano ed inglese ferdinando altieri 1749 the athenaeum 1857 merriam webster s dictionary of english usage 1994 01 a critically acclaimed guide to english usage includes more than 2 300

*ma c mento fruits la c gumes 2023* - Apr 11 2023

web info get the ma c mento fruits la c gumes colleague that we come up with the money for here and check out the link you could purchase guide ma c mento fruits la c gumes or get it as soon as feasible

The Top Books of the Year Heatilator Gas Fireplace Owners Manual The year 2023 has witnessed a remarkable surge in literary brilliance, with numerous captivating novels captivating the hearts of readers worldwide. Lets delve into the realm of bestselling books, exploring the fascinating narratives that have captivated audiences this year. Heatilator Gas Fireplace Owners Manual : Colleen Hoover's "It Ends with Us" This touching tale of love, loss, and resilience has captivated readers with its raw and emotional exploration of domestic abuse. Hoover masterfully weaves a story of hope and healing, reminding us that even in the darkest of times, the human spirit can prevail. Heatilator Gas Fireplace Owners Manual : Taylor Jenkins Reids "The Seven Husbands of Evelyn Hugo" This spellbinding historical fiction novel unravels the life of Evelyn Hugo, a Hollywood icon who defies expectations and societal norms to pursue her dreams. Reids captivating storytelling and compelling characters transport readers to a bygone era, immersing them in a world of glamour, ambition, and self-discovery. Discover the Magic : Delia Owens "Where the Crawdads Sing" This mesmerizing coming-of-age story follows Kya Clark, a young woman who grows up alone in the marshes of North Carolina. Owens weaves a tale of resilience, survival, and the transformative power of nature, captivating readers with its evocative prose and mesmerizing setting. These popular novels represent just a fraction of the literary treasures that have emerged in 2023. Whether you seek tales of romance, adventure, or personal growth, the world of literature offers an abundance of compelling stories waiting to be discovered. The novel begins with Richard Papen, a bright but troubled young man, arriving at Hampden College. Richard is immediately drawn to the group of students who call themselves the Classics Club. The club is led by Henry Winter, a brilliant and charismatic young man. Henry is obsessed with Greek mythology and philosophy, and he quickly draws Richard into his world. The other members of the Classics Club are equally as fascinating. Bunny Corcoran is a wealthy and spoiled young man who is always looking for a good time. Charles Tavis is a quiet and reserved young man who is deeply in love with Henry. Camilla Macaulay is a beautiful and intelligent young woman who is drawn to the power and danger of the Classics Club. The students are all deeply in love with Morrow, and they are willing to do anything to please him. Morrow is a complex and mysterious figure, and he seems to be manipulating the students for his own purposes. As the students become more involved with Morrow, they begin to commit increasingly dangerous acts. The Secret History is a masterful and gripping novel that will keep you guessing until the very end. The novel is a warning tale about the dangers of obsession and the power of evil.

[https://offsite.creighton.edu/files/virtual-library/Documents/how\\_fast\\_is\\_a\\_leprechaun.pdf](https://offsite.creighton.edu/files/virtual-library/Documents/how_fast_is_a_leprechaun.pdf)

[https://offsite.creighton.edu/files/virtual-library/Documents/how\\_does\\_low\\_perceive\\_the\\_use\\_of\\_cyber\\_weapons.pdf](https://offsite.creighton.edu/files/virtual-library/Documents/how_does_low_perceive_the_use_of_cyber_weapons.pdf)

[https://offsite.creighton.edu/files/virtual-library/Documents/how\\_did\\_apollo\\_get\\_his\\_powers.pdf](https://offsite.creighton.edu/files/virtual-library/Documents/how_did_apollo_get_his_powers.pdf)

## **Table of Contents Heatilator Gas Fireplace Owners Manual**

1. Understanding the eBook Heatilator Gas Fireplace Owners Manual
  - The Rise of Digital Reading Heatilator Gas Fireplace Owners Manual
  - Advantages of eBooks Over Traditional Books
2. Identifying Heatilator Gas Fireplace Owners Manual
  - Exploring Different Genres
  - Considering Fiction vs. Non-Fiction
  - Determining Your Reading Goals
3. Choosing the Right eBook Platform
  - Popular eBook Platforms
  - Features to Look for in an Heatilator Gas Fireplace Owners Manual
  - User-Friendly Interface
4. Exploring eBook Recommendations from Heatilator Gas Fireplace Owners Manual
  - Personalized Recommendations
  - Heatilator Gas Fireplace Owners Manual User Reviews and Ratings
  - Heatilator Gas Fireplace Owners Manual and Bestseller Lists
5. Accessing Heatilator Gas Fireplace Owners Manual Free and Paid eBooks
  - Heatilator Gas Fireplace Owners Manual Public Domain eBooks
  - Heatilator Gas Fireplace Owners Manual eBook Subscription Services
  - Heatilator Gas Fireplace Owners Manual Budget-Friendly Options
6. Navigating Heatilator Gas Fireplace Owners Manual eBook Formats
  - ePub, PDF, MOBI, and More
  - Heatilator Gas Fireplace Owners Manual Compatibility with Devices
  - Heatilator Gas Fireplace Owners Manual Enhanced eBook Features
7. Enhancing Your Reading Experience

- Adjustable Fonts and Text Sizes of Heatilator Gas Fireplace Owners Manual
- Highlighting and Note-Taking Heatilator Gas Fireplace Owners Manual
- Interactive Elements Heatilator Gas Fireplace Owners Manual
- 8. Staying Engaged with Heatilator Gas Fireplace Owners Manual
  - Joining Online Reading Communities
  - Participating in Virtual Book Clubs
  - Following Authors and Publishers Heatilator Gas Fireplace Owners Manual
- 9. Balancing eBooks and Physical Books Heatilator Gas Fireplace Owners Manual
  - Benefits of a Digital Library
  - Creating a Diverse Reading Collection Heatilator Gas Fireplace Owners Manual
- 10. Overcoming Reading Challenges
  - Dealing with Digital Eye Strain
  - Minimizing Distractions
  - Managing Screen Time
- 11. Cultivating a Reading Routine Heatilator Gas Fireplace Owners Manual
  - Setting Reading Goals Heatilator Gas Fireplace Owners Manual
  - Carving Out Dedicated Reading Time
- 12. Sourcing Reliable Information of Heatilator Gas Fireplace Owners Manual
  - Fact-Checking eBook Content of Heatilator Gas Fireplace Owners Manual
  - Distinguishing Credible Sources
- 13. Promoting Lifelong Learning
  - Utilizing eBooks for Skill Development
  - Exploring Educational eBooks
- 14. Embracing eBook Trends
  - Integration of Multimedia Elements
  - Interactive and Gamified eBooks

## **Heatilator Gas Fireplace Owners Manual Introduction**

In the digital age, access to information has become easier than ever before. The ability to download Heatilator Gas Fireplace Owners Manual has revolutionized the way we consume written content. Whether you are a student looking for course

material, an avid reader searching for your next favorite book, or a professional seeking research papers, the option to download Heatilator Gas Fireplace Owners Manual has opened up a world of possibilities. Downloading Heatilator Gas Fireplace Owners Manual provides numerous advantages over physical copies of books and documents. Firstly, it is incredibly convenient. Gone are the days of carrying around heavy textbooks or bulky folders filled with papers. With the click of a button, you can gain immediate access to valuable resources on any device. This convenience allows for efficient studying, researching, and reading on the go. Moreover, the cost-effective nature of downloading Heatilator Gas Fireplace Owners Manual has democratized knowledge. Traditional books and academic journals can be expensive, making it difficult for individuals with limited financial resources to access information. By offering free PDF downloads, publishers and authors are enabling a wider audience to benefit from their work. This inclusivity promotes equal opportunities for learning and personal growth. There are numerous websites and platforms where individuals can download Heatilator Gas Fireplace Owners Manual. These websites range from academic databases offering research papers and journals to online libraries with an expansive collection of books from various genres. Many authors and publishers also upload their work to specific websites, granting readers access to their content without any charge. These platforms not only provide access to existing literature but also serve as an excellent platform for undiscovered authors to share their work with the world. However, it is essential to be cautious while downloading Heatilator Gas Fireplace Owners Manual. Some websites may offer pirated or illegally obtained copies of copyrighted material. Engaging in such activities not only violates copyright laws but also undermines the efforts of authors, publishers, and researchers. To ensure ethical downloading, it is advisable to utilize reputable websites that prioritize the legal distribution of content. When downloading Heatilator Gas Fireplace Owners Manual, users should also consider the potential security risks associated with online platforms. Malicious actors may exploit vulnerabilities in unprotected websites to distribute malware or steal personal information. To protect themselves, individuals should ensure their devices have reliable antivirus software installed and validate the legitimacy of the websites they are downloading from. In conclusion, the ability to download Heatilator Gas Fireplace Owners Manual has transformed the way we access information. With the convenience, cost-effectiveness, and accessibility it offers, free PDF downloads have become a popular choice for students, researchers, and book lovers worldwide. However, it is crucial to engage in ethical downloading practices and prioritize personal security when utilizing online platforms. By doing so, individuals can make the most of the vast array of free PDF resources available and embark on a journey of continuous learning and intellectual growth.

## FAQs About Heatilator Gas Fireplace Owners Manual Books

How do I know which eBook platform is the best for me? Finding the best eBook platform depends on your reading preferences and device compatibility. Research different platforms, read user reviews, and explore their features before making a choice. Are free eBooks of good quality? Yes, many reputable platforms offer high-quality free eBooks, including classics and public domain works. However, make sure to verify the source to ensure the eBook credibility. Can I read eBooks without an eReader? Absolutely! Most eBook platforms offer webbased readers or mobile apps that allow you to read eBooks on your computer, tablet, or smartphone. How do I avoid digital eye strain while reading eBooks? To prevent digital eye strain, take regular breaks, adjust the font size and background color, and ensure proper lighting while reading eBooks. What the advantage of interactive eBooks? Interactive eBooks incorporate multimedia elements, quizzes, and activities, enhancing the reader engagement and providing a more immersive learning experience. Heatilator Gas Fireplace Owners Manual is one of the best book in our library for free trial. We provide copy of Heatilator Gas Fireplace Owners Manual in digital format, so the resources that you find are reliable. There are also many Ebooks of related with Heatilator Gas Fireplace Owners Manual. Where to download Heatilator Gas Fireplace Owners Manual online for free? Are you looking for Heatilator Gas Fireplace Owners Manual PDF? This is definitely going to save you time and cash in something you should think about. If you trying to find then search around for online. Without a doubt there are numerous these available and many of them have the freedom. However without doubt you receive whatever you purchase. An alternate way to get ideas is always to check another Heatilator Gas Fireplace Owners Manual. This method for see exactly what may be included and adopt these ideas to your book. This site will almost certainly help you save time and effort, money and stress. If you are looking for free books then you really should consider finding to assist you try this. Several of Heatilator Gas Fireplace Owners Manual are for sale to free while some are payable. If you arent sure if the books you would like to download works with for usage along with your computer, it is possible to download free trials. The free guides make it easy for someone to free access online library for download books to your device. You can get free download on free trial for lots of books categories. Our library is the biggest of these that have literally hundreds of thousands of different products categories represented. You will also see that there are specific sites catered to different product types or categories, brands or niches related with Heatilator Gas Fireplace Owners Manual. So depending on what exactly you are searching, you will be able to choose e books to suit your own need. Need to access completely for Campbell Biology Seventh Edition book? Access Ebook without any digging. And by having access to our ebook online or by storing it on your computer, you have convenient answers with Heatilator Gas Fireplace Owners Manual To get started finding Heatilator Gas Fireplace Owners Manual, you are right to find our website which has a comprehensive collection of books online. Our library is the biggest of these that have literally hundreds of thousands of different products represented. You will also see that there are specific sites catered



to different categories or niches related with Heatilator Gas Fireplace Owners Manual So depending on what exactly you are searching, you will be able to choose ebook to suit your own need. Thank you for reading Heatilator Gas Fireplace Owners Manual. Maybe you have knowledge that, people have search numerous times for their favorite readings like this Heatilator Gas Fireplace Owners Manual, but end up in harmful downloads. Rather than reading a good book with a cup of coffee in the afternoon, instead they juggled with some harmful bugs inside their laptop. Heatilator Gas Fireplace Owners Manual is available in our book collection an online access to it is set as public so you can download it instantly. Our digital library spans in multiple locations, allowing you to get the most less latency time to download any of our books like this one. Merely said, Heatilator Gas Fireplace Owners Manual is universally compatible with any devices to read.

### **Find Heatilator Gas Fireplace Owners Manual :**

**how fast is a leprechaun**

**how does low perceive the use of cyber weapons**

how did apollo get his powers

*how hard is the nmls test*

**how does the eiffel tower grow**

honey jar spell for money

~~how to boost your metabolism over 40~~

**how to become rastafari**

how much to invest in gold and silver

**how long is piper in prison for**

hot zone health

**hot food temperature log**

how do i stop obsessing over him

how many questions in pmp exam

~~how did king baldwin get leprosy~~

### **Heatilator Gas Fireplace Owners Manual :**