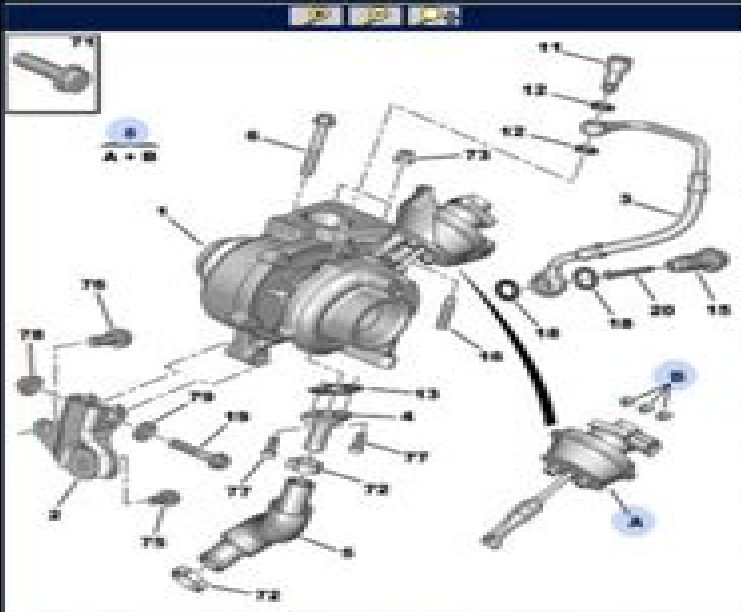
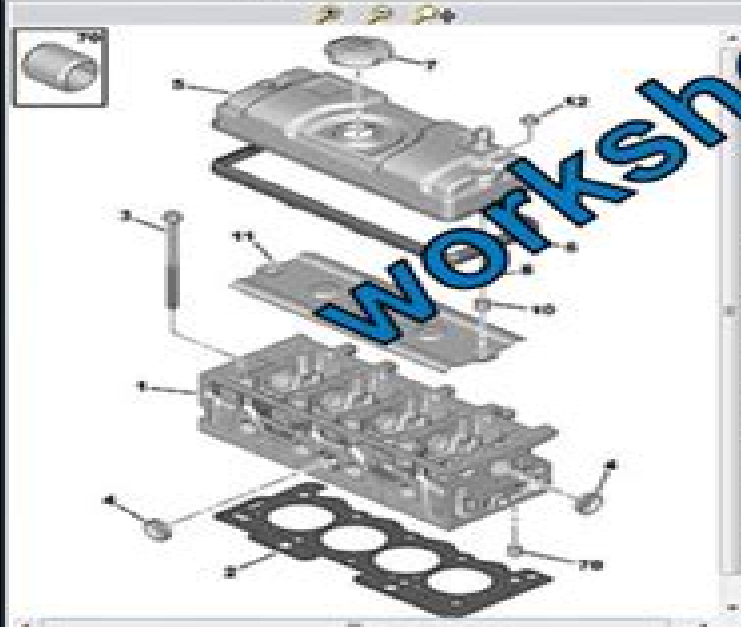


Fiat Ducato 2002-2017 Workshop Manual



TURBO CHARGER OIL RETURN HOSE

0379 44	01	TURBO LUBRICATION PIPE
0379 45	01	TURBO OIL RETURN PIPE
0381 26	01	OIL RETURN HOSE
0379 47	01	HEX HEAD CAPSCREW M6x20 ISOX125-03
0379 49	01	CONTROL CAPSULE TURBO KIT
0379 46	01	UNION SCREW 12X18 M10X100-27
0380 21	02	COPPER GASKET 12-18 EP 2.5
0380 33	01	OIL RETURN SEAL
1184 46	01	WASHER 12 LG 44.3-07.3
0379 41	01	TURBO SUPPORT STUD 12X125-25



CYLINDER HEAD - COVER

0099 AC	04	CYLINDER HEAD - INJECTION TUSA
0099 CJ	04	WASHER LARGE SAND SCREWED
0099 CC	04	CYL HEAD GASKET CN
0094 B3	10	DEFAS - INJECTION TUSA
0032 10	10	CYL HEAD BOLT D48 120750-175.8 - INJECTION TUSA
0245 78	04	WELCH PLUG D48 38 - INJECTION TUSA
0245 78	04	CYL HEAD COVER - INJECTION TUSA
0249 84	04	GASKET - ROCKER - INJECTION TUSA
0258 84	04	FILLER PLUG - INJECTION TUSA
0258 80	02	CYL HEAD STUD D125X100-23 - INJECTION TUSA
0258 43	02	SPACER - INJECTION TUSA
0254 26	04	DEFLECTOR - INJECTION TUSA
0258 42	02	CAP NUT M6X100

workshopmanuals.org

Fiat Ducato 1 9 Diesel Repair Manuals

John Harold Haynes, Bruce Gilmour



Fiat Ducato 1 9 Diesel Repair Manuals

Fiat Cinquecento Repair Manual and Service Guide Lindsay Porter, Michael Gascoigne, 1999-03-01 **Fiat Tipo and Tempra** Lindsay Porter, Roy Stenning, 1997 Chilton is pleased to distribute Porter Repair Manuals in North America Published by Porter Publishing Ltd in the United Kingdom this series offers manuals for general automotive repair as well as model specific manuals for use on American and European vehicles They provide comprehensive information in an easy to use format with step by step procedures and hundreds of illustrations for both the experienced and the novice do it yourselfer Covers all models **Fiat X1-9, 1974-1980** John Haynes, 1984-07-30 Haynes disassembles every subject vehicle and documents every step with thorough instructions and clear photos Haynes repair manuals are used by the pros but written for the do it yourselfer **Fiat Punto Service and Repair Manual** A. K. Legg, 1999 **Fiat Uno Service and Repair Manual** P. G. Strasman, 1996 **Fiat Uno** Chilton Automotive Books, Lindsay Porter, Porter Manuals, Ivor Carroll, 1998-09 Chilton is pleased to distribute Porter Repair Manuals in North America Published by Porter Publishing Ltd in the United Kingdom this series offers manuals for general automotive repair as well as model specific manuals for use on American and European vehicles They provide comprehensive information in an easy to use format with step by step procedures and hundreds of illustrations for both the experienced and the novice do it yourselfer Covers all models **Fiat X1/9 Owners Workshop Manual** John Harold Haynes, 1988 **Fiat Panda Owner's Workshop Manual**, 2013-07 This is one in a series of manuals for car or motorcycle owners Each book provides information on routine maintenance and servicing with tasks described and photographed in a step by step sequence so that even a novice can do the work **Fiat 500 Owners Workshop Manual** Autobooks, 2002-01-01 VelocePress in close cooperation with Brooklands Books Ltd has brought this and other repair manuals previously published as part of the Autobooks Owners Workshop Manual Series back into print The series is an invaluable resource for the classic car enthusiast and a must have for owners interested in performing their own maintenance **Fiat Cinquecento Service and Repair Manual** Steve Rendle, Spencer Drayton, 1998 Hatchback inc special limited editions Petrol 0 9 litre 899cc 1 1 litre 1108cc **Repair manual for the Diesel engines 4 VD 8,8/9-1 SRF and 4 VD 8,8/8,5-3 SRF**, 1987 **Fiat 1100, 1100d, 1100r and 1200 1957-1969 Owners Workshop Manual** Autobooks, 2008-08-01 166 pages 217 illustrations size 7 5 x 9 25 inches As a service to the classic car enthusiast VelocePress in close cooperation with Brooklands Books Ltd has brought this and other repair manuals previously published as part of the Autobook Autopress Owners Workshop Manual Series back into print This series of manuals is an invaluable resource for the classic car enthusiast and a must have for owners interested in performing their own maintenance These manuals include detailed repair service data and comprehensive step by step instructions and illustrations on dismantling overhauling and re assembly Typically they contain individual chapters that deal with the following items Engine Carburetor Fuel System

Ignition System Cooling System Clutch Transmission Drive Shaft Rear Axle Rear Suspension Front Suspension Hubs Steering Gear Braking System Electrical Equipment and Bodywork There are many time saving hints and tips included and there is an easy to follow fault diagnosis at the end of each chapter All of the manuals in this series include a detailed index and feature an oil resistant laminated cover **Fiat 500 Owner's Workshop Manual** John Harold Haynes,James Larminie,2012-09 Information on routine servicing and repair for the DIY mechanic with tasks described and photographed in a step by step sequence **Fiat Punto Oct 1999 to July 2003 (V Reg Onwards), Petrol** John S. Mead,2006 [Fiat Croma 1.9 JTD 93183988 GT1749MV Turbocharger Rebuild and Repair Guide](#): Brian Smothers,Pheadra Smothers,2014-11-01 This shop manual covers the proper disassembly inspection rework assembly and installation of the 93183988 turbocharger including the variable vane system found on the Lancia Lybra JTD diesel cars Written by an industry professional this book contains full color photos diagrams torque specs and best practices Repairing your 93183988 turbocharger is easy and cost effective if you know how **Fiat Punto Petrol Owner's Workshop Manual** John Mead,2016-10 [Fiat X1/9 Owners Workshop Manual](#) John Harold Haynes,Bruce Gilmour,1977 **Fiat Punto Service and Repair Manual** A. K. Legg,Spencer Drayton,1996 **Fiat Panda** Chilton Automotive Books,Lindsay Porter,Porter Manuals,Roy Stenning,1998-09 Chilton is pleased to distribute Porter Repair Manuals in North America Published by Porter Publishing Ltd in the United Kingdom this series offers manuals for general automotive repair as well as model specific manuals for use on American and European vehicles They provide comprehensive information in an easy to use format with step by step procedures and hundreds of illustrations for both the experienced and the novice do it yourselfer Covers all models [Motor Truck and Diesel Repair Manual](#) ,1965

das uberreizte kind wie eltern ihr kind besser ve peter altenberg - Nov 30 2022

web this das uberreizte kind wie eltern ihr kind besser ve after getting deal so in imitation of you require the ebook swiftly you can straight get it its thus definitely easy and thus fats isnt it you have to favor to in this heavens friedrich fröbels mutter und kose lieder friedrich fröbel 2023 03 12 auf der suche nach der verlorenen

selbstregulierung lernen durch fremdregulierung das überreizte kind - Feb 02 2023

web sep 19 2016 dr stuart shanker das überreizte kind wie eltern ihr kind besser verstehen und zu innerer balance führen mit der weltweit bewährten methode der selbstregulierung mosaik verlag august 2016 384 seiten isbn 978 3442392674 21 99 hier noch eine interessante rezension aus der faz warum eltern zu stress detektiven

das uberreizte kind wie eltern ihr kind besser ve pdf holde kreul - May 25 2022

web apr 23 2023 as this das uberreizte kind wie eltern ihr kind besser ve pdf it ends stirring instinctive one of the favored book das uberreizte kind wie eltern ihr kind besser ve pdf collections that we have this is why you remain in the best website

to see the amazing book to have weckruf fr eine menschlichere schule sylvia aulinger

amazon de kundenrezensionen das überreizte kind wie eltern ihr kind - Jan 01 2023

web finde hilfreiche kundenrezensionen und rezensionsbewertungen für das überreizte kind wie eltern ihr kind besser verstehen und zu innerer balance führen mit der weltweit bewährten methode der selbstregulierung auf amazon de lese ehrliche und unvoreingenommene rezensionen von unseren nutzern

das überreizte kind wie eltern ihr kind besser verstehen und zu - Jul 07 2023

web stuart shanker das überreizte kind wie eltern ihr kind besser verstehen und zu innerer balance führen mit der weltweit bewährten methode der selbstregulierung kindle ausgabe von stuart shanker autor karin wirth Übersetzer format kindle ausgabe 4 5 455 sternebewertungen

das überreizte kind wie eltern ihr kind besser versteh - Jun 06 2023

web aber am wichtigsten ist dass wir unsere kinder als das sehen und wertschätzen was sie sind statt sie an irgendeiner persönlichen oder gesellschaftlichen norm zu messen s 204 mir persönlich hat das buch ein wenig geholfen um mich selbst und meine tochter in manchen situationen besser zu verstehen ja

das überreizte kind wie eltern ihr kind besser verstehen und - Apr 23 2022

web aug 18 2023 july 7th 2019 manual das uberreizte kind wie eltern ihr kind besser verstehen und zu innerer balance fuhren mit der rhur impacthub net 6 9

das überreizte kind wie eltern ihr kind besser verstehen und zu - Aug 08 2023

web aug 29 2016 dr stuart shanker revolutioniert die erziehung unserer kinder seine methode der selbstregulierung ermöglicht kindern aller altersstufen und deren eltern zu einer besonderen inneren balance zu finden einem zustand von ruhiger wachsamkeit

das überreizte kind wie eltern ihr kind besser verstehen und - Sep 28 2022

web jun 4 2023 das überreizte kind wie eltern ihr kind besser verstehen und zu innerer balance führen mit der weltweit bewährten methode der selbstregulierung by dr stuart shanker karin wirth wunderbar stimmig shanker erscheint wie der so lange erhoffte anwalt des Kindes das endlich einen eloquenten fürsprecher für seine bedürfnisse

das uberreizte kind wie eltern ihr kind besser ve - Aug 28 2022

web kinder und hausmärchen grimm s fairy tales feb 21 2020 jacob und wilhelm grimm kinder und hausmärchen grimm s fairy tales deutsch englisch zweisprachige ausgabe Übersetzt von margaret hunt erstdruck berlin realschulbuchhandlung 1812 15 der text folgt der ausgabe letzter hand 7 auflage berlin franz duncker 1857

das überreizte kind e kitap dr stuart shanker kobo com - Sep 09 2023

web rakuten kobo dan dr stuart shanker tarafindan das überreizte kind wie eltern ihr kind besser verstehen und zu innerer

balance führen mit der weltweit bewährten methode der selbstregulierung kitabını okuyun dr stuart shanker revolutioniert die erziehung unserer kinder seine methode der selbst

das überreizte kind von stuart shanker buch 978 3 thalia - May 05 2023

web das überreizte kind wie eltern ihr kind besser verstehen und zu innerer balance führen mit der weltweit bewährten methode der selbstregulierung stuart shanker buch taschenbuch 10 00 inkl gesetzl mwst versandkostenfrei

das überreizte kind wie eltern ihr kind besser verstehen und zu - Oct 10 2023

web das überreizte kind wie eltern ihr kind besser verstehen und zu innerer balance führen mit der weltweit bewährten methode der selbstregulierung shanker dr stuart barker teresa wirth karin isbn 9783442177851 kostenloser versand für alle bücher mit versand und verkauf duch amazon

das uberreizte kind wie eltern ihr kind besser ve book dtzonline - Jun 25 2022

web pages of das uberreizte kind wie eltern ihr kind besser ve a mesmerizing literary creation penned by a celebrated wordsmith readers embark on an enlightening odyssey unraveling the intricate significance of language and its enduring impact on our lives in this appraisal we shall explore the

das überreizte kind wie eltern ihr kind besser verstehen und zu - Mar 03 2023

web aug 29 2016 dr stuart shanker revolutioniert die erziehung unserer kinder seine methode der selbstregulierung ermöglicht kindern aller altersstufen und deren eltern zu einer besonderen inneren balance zu finden einem zustand von ruhiger wachsamkeit

das uberreizte kind wie eltern ihr kind besser ve pdf - Oct 30 2022

web das uberreizte kind wie eltern ihr kind besser ve downloaded from marketing isync io by guest kade mclean wegweiser der erziehung für israelitische eltern xinxii lesen ist der schlüssel zur welt das weiß jedes kind und doch tun sich viele unserer jüngsten schwer damit sich fürs lesen zu begeistern und einen

das uberreizte kind wie eltern ihr kind besser ve pdf - Apr 04 2023

web letzten teil zeigt paul h suer wie rituale und geführte gedanken das selbstwertgefühl für kinder stärken und wie eltern erreichen können dass ihr kind nie mehr schüchtern ist letztlich bekommen die eltern wertvolle tipps wie sie ihre kinder stark machen wie kindliche sorgen überwunden werden und wie nächtliche angstattacken keine

das uberreizte kind wie eltern ihr kind besser ve pdf - Feb 19 2022

web das uberreizte kind wie eltern ihr kind besser ve 3 3 wirkliche lösung so kann kindern vom kleinkind bis zum teenager geholfen werden jedem einzelnen hör auf damit kohlhammer verlag bereits sehr junge kinder können verhaltensauffälligkeiten zeigen vor allem sog regulationsstörungen also schrei schlaf und

das uberreizte kind wie eltern ihr kind besser ve pdf - Mar 23 2022

web das überreizte kind wie eltern ihr kind besser ve downloaded from ignition4 customsforge com by guest kelley jovany das geheimnis ausgeglichener mütter xinxii das buch vereint kompakt und übersichtlich theorie und praxis zur therapie kindlicher stimmstörungen es behandelt die physiologischen und

das überreizte kind wie eltern ihr kind besser verstehen und - Jul 27 2022

web april 11th 2020 das überreizte kind wie eltern ihr kind besser verstehen und zu innerer balance führen mit der weltweit bewährten methode der selbstregulierung by stuart

electronics devices facts history britannica - Oct 23 2022

web oct 3 2023 electronics branch of physics and electrical engineering that deals with the emission behaviour and effects of electrons and with electronic devices electronics encompasses an exceptionally broad range of technology the term originally was applied to the study of electron behaviour and

introduction to electronics course georgia tech coursera - Aug 01 2023

web offered by georgia institute of technology this course introduces students to the basic components of electronics diodes transistors and enroll for free

introductiontoelectronics - Apr 28 2023

web introduction to electronics dec 21 2021 introductory digital electronics jul 04 2020 this book is an edited version of part of the teaching text used for the open university s undergraduate course t283 introductory electronics first presented in 1980

an introduction to basic electronics iit bombay - Mar 16 2022

web basic electronic devices there are three basic devices which shape up the working and design of all electronic circuits they are resistor a resistor works as per ohm s law if v is the voltage across the resistor is the current through it

[introduction to electronics earl gates google books](#) - Jul 20 2022

web feb 9 2011 earl gates cengage learning feb 9 2011 computers 544 pages iintroduction to electronics sixth edition provides your students with a broad overview of both the linear and digital fields of electronics while also providing the basics so your students can understand the fundamentals of electronics this book is intended for

electronics wikipedia - Sep 02 2023

web electronics is a scientific and engineering discipline that studies and applies the principles of physics to design create and operate devices that manipulate electrons and other electrically charged particles

basic electronics tutorials and revision - May 30 2023

web tau the time constant tau symbol τ is the greek letter used in electrical and electronic calculations to represent the time constant of a circuit as a function of time but what do we mean by a circuits time constant and transient response both electrical and electronic circuits may not always rc networks

best online electronics courses and programs edx - Feb 24 2023

web introduction to electronics it seems impossible to imagine life without electronics smartphones computers home appliances security systems and transit systems all run on electrical circuits but electronics have a long history predating modern times

an introduction to electronics 1 electronics everywhere - Jan 26 2023

web electronics is the art of controlling the movement of electrons in order to design components and circuits that are put together to create the technology of the modern world increasingly electronics is at the cutting edge of technology as illustrated in

basic electronics for beginners youtube - Jun 18 2022

web dec 30 2020 this video provides an introduction into basic electronics for beginners it covers topics such as series and parallel circuits ohm s law light emitting diodes resistors potentiometers

principles of electronics wikipedia - Aug 21 2022

web principles of electronics is a 2002 book by colin simpson designed to accompany the electronics technician distance education program and contains a concise and practical overview of the basic principles including theorems circuit behavior and problem solving procedures of electronic circuits and devices the textbook reinforces concepts with

introduction to electronics sciencedirect - Feb 12 2022

web introduction to electronics focuses on the study of electronics and electronic devices composed of 14 chapters the book starts with discussions on dc circuits including resistance voltmeter ammeter galvanometer internal

chapter 1 introduction to electronics spie - May 18 2022

web course before we can get to the fun stuff we have to introduce some fundamental concepts and circuits we will start our journey into the world of electronics by focusing on signals simple circuits common devices and how to make measurements electronics is meant to be hands on so constructing

introduction to electronics anu - Sep 21 2022

web introduction to electronics fundamental electrical quantities charge current voltage and circuit elements resistor capacitor inductor voltage and current sources circuit analysis techniques kirchhoff s voltage and current laws mesh current and node voltage analysis thevenin and norton equivalent circuits superposition maximum

an introduction to electronics introduction openlearn open - Mar 28 2023

web using a variety of teaching material including videos self assessment questions saqs and interactive activities this free course will show you how electronic devices and systems pervade everything we do and explain some of the

electronics for beginners a simple introduction explain that stuff - Oct 03 2023

web dec 5 2022 electronics is a much more subtle kind of electricity in which tiny electric currents and in theory single electrons are carefully directed around much more complex circuits to process signals such as those that carry radio and television programs or store and process information

[introduction to electronics study guides circuitbread](#) - Nov 23 2022

web study guide basic electronics introduction to electronics get pdf the atom an atom is the smallest particle of an element that retains the characteristics of that element each element has atoms that are different from the atoms of all other elements this gives each element a unique atomic structure the bohr model

electrical engineering science khan academy - Dec 25 2022

web learn about electricity circuit theory and introductory electronics we also have sections that let you get down and dirty with household items from building your own robot to videos where we disassemble household items to see what's inside

[introduction to basic electronics makerspaces.com](#) - Apr 16 2022

web introduction to basic electronics electronic components and projects learning about basic electronics and creating your own projects is a lot easier than you may think in this tutorial we're going to give you a brief overview of common electronic components and explain what their functions are

an introduction to electronics openlearn open university - Jun 30 2023

web jun 28 2017 electronics is fundamental to modern life using an interactive website videos and easy to use electronic circuit design and simulation software this free course an introduction to electronics will show how electronic devices and systems pervade everything we do and teach some of the basic ideas

get the free saxon math course 3 answers pdf form pdf filler - Jun 20 2022

web get the free saxon math course 3 answers pdf form how to fill out saxon math course 3 start by obtaining the necessary materials for the course including the student textbook solutions manual and any additional resources or

saxon math course 3 test answer key unlocking the secrets to - Sep 23 2022

web if you are studying saxon math course 3 and struggling to find the answers to the tests you have come to the right place in this article we will introduce you to the saxon math course 3 test answer key which provides the solutions to all the problems in the course

saxon math course 3 textbook hake stephen archive.org - Jul 02 2023

web mar 18 2022 saxon math course 3 textbook addeddate 2022 03 18 18 41 22 identifier saxon math course 3 pdfdrive identifier ark ark 13960 s26ch8s9dd7 ocr tesseract 5 0 0 1 g862e

[saxon course 3 lesson 51 practice set a p showme](#) - Nov 25 2022

web by erin larson 103 0 people liked this showme flag showme viewed after searching for saxon math course 3 lesson 8

practice set saxon math course 3 practice set lesson 53 saxon math course 3 lesson 59 practice set scientific notation with fractions

question what r the awnsers to lesson 51 saxon math course 3 - Mar 30 2023

web what r the awnsers to lesson 51 saxon math course 3 this problem has been solved you ll get a detailed solution from a subject matter expert that helps you learn core concepts

saxon math course 3 my math assistant - Feb 26 2023

web lesson 51 negative exponents lesson 52 using unit multipliers converting mixed unit to single unit measures lesson 53 solving problems using measures of central tendency lesson 54 angle relationships lesson 55 nets of prisms cylinders pyramids and cones lesson 56 slope intercept equation of a line

saxon math math course 3 - Sep 04 2023

web saxon math math course 3 get the exact saxon math math course 3 help you need by entering the page number of your saxon math math course 3 textbook below click here to see which pages we cover saxon middle school mathematics homework help from mathhelp com

course 3 saxon 8th grade - Aug 03 2023

web section 1 important class information section 2 textbook section 3 practice test answer keys section 4 textbook practice sets answer keys section 5 homework answer keys section 6 powerup facts answer keys section 7 reteaching worksheets 1 important class information keys to success for course 3 download file problem solving grading

how saxon math answers for course 3 answers - Mar 18 2022

web apr 28 2022 11y ago study now see answers 3 best answer copy of the 150 people surveyed 7 10 said they owned at least one pet how many people surveyend own pets wiki user 11y ago this answer

saxon math course 3 2018 1st edition solutions and answers quizlet - Jun 01 2023

web find step by step expert solutions for your textbook or homework problem find step by step solutions and answers to saxon math course 3 2018 9781328497406 as well as thousands of textbooks so you can move forward with confidence

math course 3 lesson 1 number line comparing and - Jul 22 2022

web number line comparing and ordering integers zero is neither positive nor negative it is the origin integers include all the counting numbers 1 2 3 their opposites 3 2 1 and zero whole numbers are the counting numbers and

saxon math course 3 solution manual 2007 amazon com - May 20 2022

web jan 1 2006 saxon math course 3 solution manual 2007 paperback january 1 2006 by saxon publishers author 4 7 51

global ratings 5 star 81 i work and don t have time to figure out the answer to each of her math problems while i am trying to fix dinner in the evenings

[saxon math course 3 pdf 45 71 mb pdf room](#) - Oct 25 2022

web saxon math course 3 free pdf download 933 pages year 2006 math read online pdf room

[saxon math course 3 lesson 51 youtube](#) - Apr 30 2023

web about press copyright contact us creators advertise developers terms privacy policy safety how youtube works test new features nfl sunday ticket press copyright

saxon math course 3 1st edition solutions and answers quizlet - Oct 05 2023

web with expert solutions for thousands of practice problems you can take the guesswork out of studying and move forward with confidence find step by step solutions and answers to saxon math course 3 9781591418849 as well as thousands of textbooks so you can move forward with confidence

saxon math course 1 1st edition solutions and answers quizlet - Aug 23 2022

web now with expert verified solutions from saxon math course 1 1st edition you ll learn how to solve your toughest homework problems our resource for saxon math course 1 includes answers to chapter exercises as well as detailed information to walk you through the process step by step

[student edition saxon math central bucks school district](#) - Feb 14 2022

web lesson 51 multiplying by two digit numbers 258 lesson 62 estimating arithmetic answers 313 lesson 63 subtracting a fraction from a whole 317 number greater than 1 x saxon math 6 5 lesson 116 finding common denominators to add 598 subtract and compare fractions

saxon math 6 5 3rd edition solutions and answers quizlet - Jan 28 2023

web with expert solutions for thousands of practice problems you can take the guesswork out of studying and move forward with confidence find step by step solutions and answers to saxon math 6 5 9781565775053 as well as thousands of textbooks so you can move forward with confidence

saxon math intermediate 3 answers resources lumos learning - Dec 27 2022

web use the table below to find videos mobile apps worksheets and lessons that supplement saxon math intermediate 3 saxon math intermediate 3 grade 3 workbook answers help online grade 3 title saxon math intermediate 3 publisher houghton mifflin harcourt isbn 1600325343

saxon math course 3 lesson 51 answers stephen hake pdf - Apr 18 2022

web this saxon math course 3 lesson 51 answers but stop going on in harmful downloads rather than enjoying a fine ebook gone a mug of coffee in the afternoon on the other hand they juggled in the manner of some harmful virus inside their computer saxon math course 3 lesson 51 answers is comprehensible in our digital library an

Immerse yourself in the artistry of words with Crafted by is expressive creation, Immerse Yourself in **Fiat Ducato 1 9 Diesel Repair Manuals** . This ebook, presented in a PDF format (Download in PDF: *), is a masterpiece that goes beyond conventional storytelling. Indulge your senses in prose, poetry, and knowledge. Download now to let the beauty of literature and artistry envelop your mind in a unique and expressive way.

https://offsite.creighton.edu/files/virtual-library/Documents/fuego_y_sangre_pdf.pdf

https://offsite.creighton.edu/files/virtual-library/Documents/french_brigade_system.pdf

https://offsite.creighton.edu/files/virtual-library/Documents/frye_word_lists.pdf

Table of Contents Fiat Ducato 1 9 Diesel Repair Manuals

1. Understanding the eBook Fiat Ducato 1 9 Diesel Repair Manuals
 - The Rise of Digital Reading Fiat Ducato 1 9 Diesel Repair Manuals
 - Advantages of eBooks Over Traditional Books
2. Identifying Fiat Ducato 1 9 Diesel Repair Manuals
 - Exploring Different Genres
 - Considering Fiction vs. Non-Fiction
 - Determining Your Reading Goals
3. Choosing the Right eBook Platform
 - Popular eBook Platforms
 - Features to Look for in an Fiat Ducato 1 9 Diesel Repair Manuals
 - User-Friendly Interface
4. Exploring eBook Recommendations from Fiat Ducato 1 9 Diesel Repair Manuals
 - Personalized Recommendations

- Fiat Ducato 1 9 Diesel Repair Manuals User Reviews and Ratings
- Fiat Ducato 1 9 Diesel Repair Manuals and Bestseller Lists
- 5. Accessing Fiat Ducato 1 9 Diesel Repair Manuals Free and Paid eBooks
 - Fiat Ducato 1 9 Diesel Repair Manuals Public Domain eBooks
 - Fiat Ducato 1 9 Diesel Repair Manuals eBook Subscription Services
 - Fiat Ducato 1 9 Diesel Repair Manuals Budget-Friendly Options
- 6. Navigating Fiat Ducato 1 9 Diesel Repair Manuals eBook Formats
 - ePub, PDF, MOBI, and More
 - Fiat Ducato 1 9 Diesel Repair Manuals Compatibility with Devices
 - Fiat Ducato 1 9 Diesel Repair Manuals Enhanced eBook Features
- 7. Enhancing Your Reading Experience
 - Adjustable Fonts and Text Sizes of Fiat Ducato 1 9 Diesel Repair Manuals
 - Highlighting and Note-Taking Fiat Ducato 1 9 Diesel Repair Manuals
 - Interactive Elements Fiat Ducato 1 9 Diesel Repair Manuals
- 8. Staying Engaged with Fiat Ducato 1 9 Diesel Repair Manuals
 - Joining Online Reading Communities
 - Participating in Virtual Book Clubs
 - Following Authors and Publishers Fiat Ducato 1 9 Diesel Repair Manuals
- 9. Balancing eBooks and Physical Books Fiat Ducato 1 9 Diesel Repair Manuals
 - Benefits of a Digital Library
 - Creating a Diverse Reading Collection Fiat Ducato 1 9 Diesel Repair Manuals
- 10. Overcoming Reading Challenges
 - Dealing with Digital Eye Strain
 - Minimizing Distractions
 - Managing Screen Time
- 11. Cultivating a Reading Routine Fiat Ducato 1 9 Diesel Repair Manuals
 - Setting Reading Goals Fiat Ducato 1 9 Diesel Repair Manuals
 - Carving Out Dedicated Reading Time
- 12. Sourcing Reliable Information of Fiat Ducato 1 9 Diesel Repair Manuals
 - Fact-Checking eBook Content of Fiat Ducato 1 9 Diesel Repair Manuals

- Distinguishing Credible Sources
- 13. Promoting Lifelong Learning
 - Utilizing eBooks for Skill Development
 - Exploring Educational eBooks
- 14. Embracing eBook Trends
 - Integration of Multimedia Elements
 - Interactive and Gamified eBooks

Fiat Ducato 1 9 Diesel Repair Manuals Introduction

In today's digital age, the availability of Fiat Ducato 1 9 Diesel Repair Manuals books and manuals for download has revolutionized the way we access information. Gone are the days of physically flipping through pages and carrying heavy textbooks or manuals. With just a few clicks, we can now access a wealth of knowledge from the comfort of our own homes or on the go. This article will explore the advantages of Fiat Ducato 1 9 Diesel Repair Manuals books and manuals for download, along with some popular platforms that offer these resources. One of the significant advantages of Fiat Ducato 1 9 Diesel Repair Manuals books and manuals for download is the cost-saving aspect. Traditional books and manuals can be costly, especially if you need to purchase several of them for educational or professional purposes. By accessing Fiat Ducato 1 9 Diesel Repair Manuals versions, you eliminate the need to spend money on physical copies. This not only saves you money but also reduces the environmental impact associated with book production and transportation. Furthermore, Fiat Ducato 1 9 Diesel Repair Manuals books and manuals for download are incredibly convenient. With just a computer or smartphone and an internet connection, you can access a vast library of resources on any subject imaginable. Whether you're a student looking for textbooks, a professional seeking industry-specific manuals, or someone interested in self-improvement, these digital resources provide an efficient and accessible means of acquiring knowledge. Moreover, PDF books and manuals offer a range of benefits compared to other digital formats. PDF files are designed to retain their formatting regardless of the device used to open them. This ensures that the content appears exactly as intended by the author, with no loss of formatting or missing graphics. Additionally, PDF files can be easily annotated, bookmarked, and searched for specific terms, making them highly practical for studying or referencing. When it comes to accessing Fiat Ducato 1 9 Diesel Repair Manuals books and manuals, several platforms offer an extensive collection of resources. One such platform is Project Gutenberg, a nonprofit organization that provides over 60,000 free eBooks. These books are primarily in the public domain, meaning they can be freely distributed and downloaded. Project Gutenberg offers a wide range of classic literature, making it an excellent resource for literature enthusiasts. Another popular platform for Fiat Ducato 1 9 Diesel Repair Manuals books and manuals is

Open Library. Open Library is an initiative of the Internet Archive, a non-profit organization dedicated to digitizing cultural artifacts and making them accessible to the public. Open Library hosts millions of books, including both public domain works and contemporary titles. It also allows users to borrow digital copies of certain books for a limited period, similar to a library lending system. Additionally, many universities and educational institutions have their own digital libraries that provide free access to PDF books and manuals. These libraries often offer academic texts, research papers, and technical manuals, making them invaluable resources for students and researchers. Some notable examples include MIT OpenCourseWare, which offers free access to course materials from the Massachusetts Institute of Technology, and the Digital Public Library of America, which provides a vast collection of digitized books and historical documents. In conclusion, Fiat Ducato 1 9 Diesel Repair Manuals books and manuals for download have transformed the way we access information. They provide a cost-effective and convenient means of acquiring knowledge, offering the ability to access a vast library of resources at our fingertips. With platforms like Project Gutenberg, Open Library, and various digital libraries offered by educational institutions, we have access to an ever-expanding collection of books and manuals. Whether for educational, professional, or personal purposes, these digital resources serve as valuable tools for continuous learning and self-improvement. So why not take advantage of the vast world of Fiat Ducato 1 9 Diesel Repair Manuals books and manuals for download and embark on your journey of knowledge?

FAQs About Fiat Ducato 1 9 Diesel Repair Manuals Books

1. Where can I buy Fiat Ducato 1 9 Diesel Repair Manuals books? Bookstores: Physical bookstores like Barnes & Noble, Waterstones, and independent local stores. Online Retailers: Amazon, Book Depository, and various online bookstores offer a wide range of books in physical and digital formats.
2. What are the different book formats available? Hardcover: Sturdy and durable, usually more expensive. Paperback: Cheaper, lighter, and more portable than hardcovers. E-books: Digital books available for e-readers like Kindle or software like Apple Books, Kindle, and Google Play Books.
3. How do I choose a Fiat Ducato 1 9 Diesel Repair Manuals book to read? Genres: Consider the genre you enjoy (fiction, non-fiction, mystery, sci-fi, etc.). Recommendations: Ask friends, join book clubs, or explore online reviews and recommendations. Author: If you like a particular author, you might enjoy more of their work.
4. How do I take care of Fiat Ducato 1 9 Diesel Repair Manuals books? Storage: Keep them away from direct sunlight and in a dry environment. Handling: Avoid folding pages, use bookmarks, and handle them with clean hands. Cleaning:

- Gently dust the covers and pages occasionally.
5. Can I borrow books without buying them? **Public Libraries:** Local libraries offer a wide range of books for borrowing. **Book Swaps:** Community book exchanges or online platforms where people exchange books.
 6. How can I track my reading progress or manage my book collection? **Book Tracking Apps:** Goodreads, LibraryThing, and Book Catalogue are popular apps for tracking your reading progress and managing book collections. **Spreadsheets:** You can create your own spreadsheet to track books read, ratings, and other details.
 7. What are Fiat Ducato 1 9 Diesel Repair Manuals audiobooks, and where can I find them? **Audiobooks:** Audio recordings of books, perfect for listening while commuting or multitasking. **Platforms:** Audible, LibriVox, and Google Play Books offer a wide selection of audiobooks.
 8. How do I support authors or the book industry? **Buy Books:** Purchase books from authors or independent bookstores. **Reviews:** Leave reviews on platforms like Goodreads or Amazon. **Promotion:** Share your favorite books on social media or recommend them to friends.
 9. Are there book clubs or reading communities I can join? **Local Clubs:** Check for local book clubs in libraries or community centers. **Online Communities:** Platforms like Goodreads have virtual book clubs and discussion groups.
 10. Can I read Fiat Ducato 1 9 Diesel Repair Manuals books for free? **Public Domain Books:** Many classic books are available for free as they're in the public domain. **Free E-books:** Some websites offer free e-books legally, like Project Gutenberg or Open Library.

Find Fiat Ducato 1 9 Diesel Repair Manuals :

[fuego y sangre pdf](#)

[french brigade system](#)

[frye word lists](#)

[francis ching books](#)

full block font

[fundraising department structure](#)

[fun facts about inuit](#)

[fractal time calculator](#)

[free registration form template word](#)

[frank rudolph young](#)

frank zane off season

funny famous speeches

free hair color classes

free bible studies for married couples to do together

fundamentals of implant dentistry

Fiat Ducato 1 9 Diesel Repair Manuals :