



Dishwashers

Safety Instructions 2-3

Operating Instructions

Care and Cleaning 11

Getting Started 4-5

Loading and Place Settings 8-9

Loading the silverware baskets 10

Using the Dishwasher 6-7

Troubleshooting Tips 12-14

Consumer Support

Consumer Support 16

Warranty 15

Owner's Manual

Dishwashers
ADT520 Series
GDF510-540 Series
GDT530-550 Series

Lave-vaisselle

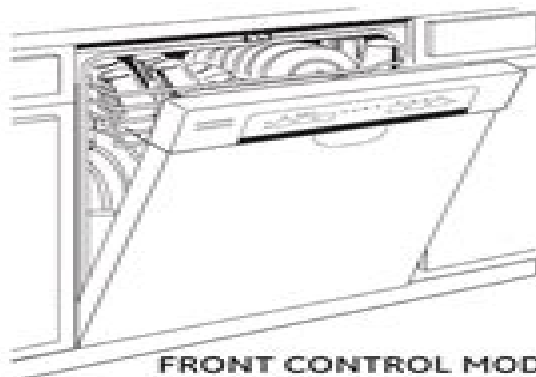
Manuel d'utilisation

La section française commence à la page 17

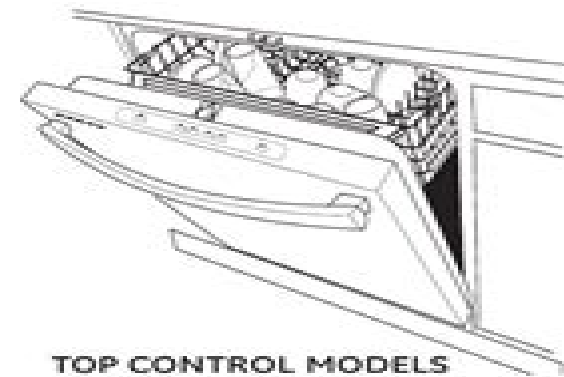
Lavaplatos

Manual del propietario

La sección en español empieza en la página 33



FRONT CONTROL MODELS



TOP CONTROL MODELS

Write the model and serial numbers here:

Model # _____

Serial # _____

You can find them on the tub wall just inside the door.

Appliance Owners Manuals

Bengt Altenberg, Sylviane Granger



Appliance Owners Manuals

The Clutter Diet Lorie Marrero,2009 Get your house in shape Applying just an ounce of the advice in this practical guide saves you enough time and money to pay for itself including the cure for procrastination and the ten types of high calorie clutter to avoid

The Home Owner's Manual Dan Ramsey,The Fix-It Club,2014-11-25 At Last A Beginner s Guide to Home Technology Water stains on your ceiling Dents and cracks in your drywall Radiators that hiss and gurgle all night long It s enough to make you cry out Why doesn t my house come with an owner s manual And now finally it does Through step by step instructions and helpful schematic diagrams The Home Owner s Manual explores hundreds of frequently asked questions What s the best way to fix a leaky faucet When should I have my chimney cleaned How can I reset a circuit breaker without electrocuting myself Whatever your concerns you ll find the answers here courtesy of licensed building contractor Dan Ramsey who has taught the basics of renovation to thousands of homeowners

Great Leaders Have No Rules Kevin Kruse,2019-04-02 As a serial entrepreneur Kevin Kruse has seen time and again that the leadership practices that actually work are the opposite of what is commonly taught and implemented Close Your Open Door Policy shows how a contrarian approach can be a better faster and easier way to succeed as a leader Chapter by chapter Kruse focuses on a piece of popular wisdom then shows with real world case studies and quantitative research that the opposite approach will lead to better results encouraging leaders to play favorites stay out of meetings and of course close their open doors

The National Home Maintenance Manual. The complete guide to caring for your home. , Relationship Owner's Manual Kent Shelley M.R.E.,Mark Shelley Ph.D.,2019-10-25 RELATIONSHIPS ARE COMPLICATED THEY SHOULD COME WITH A MANUAL THIS IS IT You cannot create a relationship with a focus on you and your way A relationship isn t about your partner and their way A relationship is about US and Our Way Every day we make choices Will those choices strengthen our relationship or weaken it What can I do as an individual to improve our relationship What can my partner and I do together to improve our relationship This manual will answer these questions and many more by providing you with essential ideas and practical skills for creating and participating in a healthy relationship

A Text Grammar of English Egon Werlich,1983

Lexis in Contrast Bengt Altenberg,Sylviane Granger,2002 This work explores recent trends in cross linguistic lexical studies Topics include lexis and contrastive linguistics the revival of contrastive linguistics multilingual corpora theoretical and methodological issues and types of cross linguistic correspondence

Kitchen Gear: The Ultimate Owner's Manual America's Test Kitchen,2023-11-07 Leading kitchen gear experts Lisa McManus and Hannah Crowley share what they really think about Dutch ovens air fryers grills and more in this indispensable handbook for gear heads everywhere The perfect gift for fledgling cooks newlyweds cooking nerds and new homeowners Ever wondered why your knives dull so quickly Whether it s safe to stand next to a running microwave If compostable dinnerware is really better for the environment With its

combination of straight talking science backed advice from professional equipment reviewers Lisa McManus and Hannah Crowley practical how to guides engrossing trivia and beautiful full color photography Kitchen Gear is an indispensable source of collected wisdom you won't find anywhere else Hannah and Lisa's unfiltered takes on which pieces are and aren't worth it Spring for the high end blender rethink that knife block And did you know you can make pour over coffee with a dollar store funnel Improve your cooking with 100 recipes that teach you what your gear is capable of Use your sheet pan to make the easiest ever layer cake Make crispy fried garnishes in your microwave Plus use common tools in creative ways fully loaded nachos on the grill anyone Answers to all the hows whys and wait what's of your equipment The question and answer format covers everything from frequently asked questions to real head scratchers Keep your tools in top condition Season your pans the right way de stinkify silicone ice trays and finally get that gunk off your toaster oven Peek behind the scenes Read all about the zany lengths Lisa Hannah and their team will go to for answers from sawing coolers in half to programming knife wielding robots Stock your kitchen with the best of the best A buying guide points you to the top performers from America's Test Kitchen's rigorous reviews *Your Green Home* Alex Wilson,2006-06-01 Essential information for homebuyers wanting to design and build a new green home [Microsoft Manual of Style](#) Microsoft Corporation,2012-01-15 Maximize the impact and precision of your message Now in its fourth edition the Microsoft Manual of Style provides essential guidance to content creators journalists technical writers editors and everyone else who writes about computer technology Direct from the Editorial Style Board at Microsoft you get a comprehensive glossary of both general technology terms and those specific to Microsoft clear concise usage and style guidelines with helpful examples and alternatives guidance on grammar tone and voice and best practices for writing content for the web optimizing for accessibility and communicating to a worldwide audience Fully updated and optimized for ease of use the Microsoft Manual of Style is designed to help you communicate clearly consistently and accurately about technical topics across a range of audiences and media **Popular Mechanics** ,1974-03 Popular Mechanics inspires instructs and influences readers to help them master the modern world Whether it's practical DIY home improvement tips gadgets and digital technology information on the newest cars or the latest breakthroughs in science PM is the ultimate guide to our high tech lifestyle **National Electrical Code** National Fire Protection Association,1998 Presents the latest electrical regulation code that is applicable for electrical wiring and equipment installation for all buildings covering emergency situations owner liability and procedures for ensuring public and workplace safety **California Building Performance Guidelines for Residential Construction and Homeowner Maintenance Guide** , **New Fix-it-yourself Manual** Editors of Reader's Digest,Reader's Digest Association,2009-06-11 A troubleshooting chart and gorgeous clear diagrams will explain not only how to fix almost any household problem but also gives the level of technical skill required to finish the job as well any special tools required to do so **Beta Test** Eric Griffith,2011-12 PUBLISHERS WEEKLY An unusually lighthearted apocalyptic tale Sam Terra is

having a bad week He lost Molly the woman he secretly loves when she vanished before his eyes at the exact same time that ten percent of the inhabitants of Earth disappeared Naturally upset Sam follows clues about the global vanishing with questionable help from his friends including a misanthropic co worker and a childhood pal When Molly reappears in the body of a man during a night of monster laden devastation Sam finally learns the truth Not just about her but about the planet Earth and the entire cosmos surrounding it What we consider mundane reality others consider a game and not a very good one The whole thing is about to be shut down

Handbook of Aeronautical Inspection and Pre-Purchase Denny Pollard, 2005-12-20 If you are a prospective owner pilot broker or aviation mechanic or anyone who needs to know where to find information about the aviation airworthiness maintenance inspections and rules you ll find all the information you need in this one volume The following expert tips in this book will walk you thought step by step without worrying if you are buying a hangar queen Every aspect about inspections mechanic privileges mechanic and owner responsibilities and what you should look for and inspect when choosing an aircraft Know where to find the tools to aid in research of the aircraft history specifications details on modifications and changes made through the years Type Certificate Data Sheets FAA Airworthiness Directives Supplementary Type Certificates Maintenance Alerts for each make and model aircraft and aircraft records This book documents the history experiences and hardships of purchasing aircraft It describes the difficult and hazardous situations demanding ingenuity resourcefulness and a lot of difficult hard work Denny s years of experience in the aviation field demonstrates a lesser known side of aviation that is from the mechanic s perspective This book is the first of its kind and once started compels the reader to continue to the last page Before you buy your next aircraft have an independent inspection completed by an Airframe and Powerplant mechanic Whether you are an American or overseas buyer you will be able to buy with confidence with a pre purchase inspection With your pre purchase inspection you should receive an extensive condition report verifying the condition and originality on the aircraft you wish to purchase The pre purchase should be able to tell you if the aircraft is currently airworthy and if the aircraft has been in an accident or been modified Along with the detailed report you should receive several photographs including pictures of the fuselage engine compartment and interior and close ups of areas of concern After the inspection the mechanic or agent for service should discuss this information with you Are you aware the pre purchase agreement you sign may be the single most important document among the dozen or so documents sometimes required And which specific items should you include in your purchase agreement Has your aircraft Or the One That You Are Thinking About Purchasing been subjected to less than scrupulous inspection and maintenance practices over the years Sometimes even a very competent pre purchase inspection does not include a complete inspection of the aircraft records because it is often very time consuming to read them thoroughly Positively the most enlightening pre buy inspection is a good evaluation of the aircraft maintenance records A complete evaluation will identify the current status of the aircraft as required by 14 CFR 91.417 uncover time frames of no maintenance or lack of

maintenance identify inaccurate engine cycle tracking as well as aircraft time tracking and reveal aircraft damage history Prospective purchaser is responsible for discovering discrepancies that can only be revealed by in flight evaluation such as flight characteristics proper functioning of navigational instrumentation avionics and autopilot The purpose of the Pre purchase Inspection is to protect the interest of the buyer it is not intended to be an Annual Airworthiness Inspection

Plane Sense Nightingale Bamford School,2011-01-26 Plane Sense is an indispensable must have guide for aircraft owners operators and all aviation enthusiasts It highlights the requirements involved in acquiring owning operating and maintaining private aircraft A valuable reference for understanding the basics of general aviation this guide also outlines the rules regulations and practical aspects of flying your own aircraft straight from the FAA This manual touches upon subjects such as aircraft owner responsibilities finding pertinent FAA publications buying private aircraft obtaining special flight permits accessing maintenance records service difficulty problems and many more important topics **Every Landlord's Guide to**

Managing Property Michael Boyer,2023-05-01 The ultimate property management guide for the do it yourself landlord Written for the millions of landlords who own a single family home condo or small fewer than four units rental property Every Landlord s Guide to Managing Property covers everyday skills a hands on landlord needs including how to retain good long term tenants handle nitty gritty maintenance such as snow removal toilet clogs and painting avoid conflicts over late rent unauthorized roommates and move out procedures limit costly tenant turnover and vacancies manage condos and deal with association restrictions track income and expenses and prepare for tax time hire and work with repairpersons lawyers and other contractors and balance landlording with a day job or other pursuits The fourth edition is completely updated to cover the latest issues affecting small scale landlords including updates to tax laws new tools online and offline for managing rentals and advice on incorporating rental properties into a side hustle or FIRE strategy Responding to Routine

Emergencies Frank C. Montagna,1999 Response and tactics for common calls incl carbon monoxide A Contractor You Can Bring Home to Mom Trevor Bouchard,President & Ceo Bobby Assadourian,2009-11-30 Extreme Home Makeovers and Renovation Rescue shows dominate today s media landscape everywhere we turn Home Reno is the topic at the forefront of our conversations Residential renovations represent a 21 billion dollar a year industry in Canada and despite being one of the largest residential market segments there is still an unprecedented amount of ambiguity surrounding the process of undertaking a home renovation project This book will provide you with a glimpse into the motivations of a contractor as well as insider tips to help make you renovation ready

new horizons the art of wandering idioma ingles full pdf - May 11 2023

web proclamation new horizons the art of wandering idioma ingles that you are looking for it will no question squander the time however below later than you visit this web page

new horizon *new horizon* *new horizon* - Mar 29 2022

web and yet new horizons is poised to do just that *new horizons in the mediation of culture* explores new horizons in the mediation of culture 4 f new

new horizons the art of wandering idioma ingles uniport edu - Apr 29 2022

web oct 9 2023 *new horizons the art of wandering idioma ingles thank you for reading new horizons the art of wandering idioma ingles as you may know people have look*

new horizons the art of wandering idioma ingles pdf - Apr 10 2023

web new horizons the art of wandering idioma ingles frida kahlo assisted reproductive technology animal crossing new horizons pro island designer museum matters

pdf new horizons the art of wandering idioma ingles - Feb 08 2023

web new horizons the art of wandering idioma ingles the art of wandering the writing of bruce chatwin oct 03 2021 the legend of the wandering jew

new horizons the art of wandering idioma ingles copy - Nov 05 2022

web new horizons the art of wandering idioma ingles preternatural too gyre jun 08 2022 karen guerreri is an obscure writer of science fiction novels she is half convinced

new horizons the art of wandering idioma ingles - Oct 16 2023

web new horizons the art of wandering idioma ingles heidi oct 14 2022 heidi her years of wandering and learning feb 12 2020 as i go a wandering jan 25 2021 a

new horizons the art of wandering idioma ingles - Oct 04 2022

web new horizons the art of wandering idioma ingles animal crossing new horizons 2023 complete guide book review new horizons the art of wandering

new horizons singapore computer training certification - Dec 26 2021

web new horizons singapore provides computer training for individuals businesses government and military we are authorized training partners for many vendors including

new horizons the art of wandering idioma ingles pdf - Sep 15 2023

web 2 new horizons the art of wandering idioma ingles 2023 04 22 of stimulating articles that report some of the freshest and most innovative research and thinking in the authors

new horizons the art of wandering idioma ingles alexander - Jul 13 2023

web new horizons the art of wandering idioma ingles if you ally craving such a referred new horizons the art of wandering idioma ingles books that will have enough

new horizons the art of wandering idioma ingles download - Sep 03 2022

web new horizons in american art new horizons leonardo da vinci new horizons in american art new horizons in modeling and simulation for social epidemiology and

new horizons in english 3rd edition amazon com - Dec 06 2022

web jan 1 1990 thoughtfully chosen vocabulary give students the words they need to communicate in their new language in a variety of situations carefully paced introduction

new horizons the art of wandering idioma ingles - Aug 14 2023

web new horizons in american art mit press this pocket sized illustrated guide contains an introduction to the dada movement which flourished all over europe and in new york

new horizons new horizons - Feb 25 2022

web new horizons adj 1 horizon n 1 horizon n 2 new horizons

new horizon new horizon - Jan 27 2022

web new horizons adj 1 horizon n 1 horizon n 2 new horizons

new horizons the art of wandering idioma ingles pdf - Mar 09 2023

web 2 2 new horizons the art of wandering idioma ingles 2023 01 12 crop in various climates and locations each chapter contributes the most up to date knowledge of

new horizons the art of wandering idioma ingles pdf 2023 - Aug 02 2022

web the art of mad max fury road abbie bernstein 2015 05 19 max rockatansky returns haunted by his turbulent past the wandering road warrior becomes swept up with a

[new horizons the art of wandering idioma ingles pdf](#) - Nov 24 2021

web art of flying new worlds new horizons in astronomy and astrophysics still listening new horizons in american art monet animal crossing aesthetics in present future animal

new horizons the art of wandering idioma ingles copy old vulkk - Jul 01 2022

web new horizons the art of wandering idioma ingles museum matters leonardo da vinci new horizons in american art new horizons in american art new horizons the

[new horizons the art of wandering by shirin sahba goodreads](#) - Jun 12 2023

web read 17 reviews from the world s largest community for readers this vibrant and entrancing book invites readers on a journey around the world artist and

new horizons the art of wandering idioma ingles uniport edu - May 31 2022

web may 14 2023 horizons the art of wandering idioma ingles as you such as by searching the title publisher or authors of

guide you essentially want you can discover them rapidly

[new horizons the art of wandering idioma ingles pdf 2023](#) - Jan 07 2023

web title new horizons the art of wandering idioma ingles pdf 2023 isip ovrdr upd edu ph created date 9 15 2023 11 15 21 pm

package insert cobas influenza a b rsv liat roche - May 10 2023

web the system requires the use of a single use disposable cobas influenza a b rsv assay tube that holds the nucleic acid purification and rt pcr reagents and hosts the sample preparation and rt pcr processes package insert cobas influenza a b rsv nucleic acid test for use on the cobas liat system

cobas sars cov 2 influenza a b roche diagnostics usa - Jul 12 2023

web 2 cobas transfer pipette packs 12 pipettes pack p n 09329676001 1 package insert barcode card reagents in cobas sars cov 2 influenza a b assay tube reagent ingredients safety symbol and warninga cobas liat internal process control tris buffer tween 80 polyethylene glycol edta 0 001 stock bacteriophage ms2 inactivated

roche cobas series reagents randox laboratories - May 30 2022

web we have 72 reagents available for the roche cobas series 4000 6000 8000 pure pro and are always developing more if you don t see the application you are looking for please email us to request an application all kits are produced to international standard and have iso 13485 accreditation

[roche elabdoc](#) - Aug 13 2023

web oct 31 2023 welcome to roche elabdoc the web service that provides roche customers with 24 hour access to official and up to date documentation for roche products documentationproduct catalog documentation

roche cobas potassium reagent package inserts pdf - Nov 04 2022

web feature in this handbook is the reagent finder alphabetically organized lookup table arranged by organicfunctionality and specific structure of the silicon atom to whichit is bound uses tests for purity and preparation of chemical reagents jun 17 2022 chemical demonstrations nov 29 2020

reagents on cobas c 701 c 702 i list of roche diagnostics - Jun 30 2022

web reagents on cobas c 701 c 702 list of interferences 1 based on serum indices for serum and plasma not applicable for urine and csf direction instrument settings analyte aceta please refer also to the latest package insert over recovery under recovery variable recovery recovery within 10 of initial concentration

cobas assay portfolio a menu that continues to grow - Aug 01 2022

web providing high quality and innovative clinical chemistry reagents for timely and reliable patient results

immunochemistry test portfolio support better outcomes by delivering greater medical value with roche s elecsys portfolio

cobas 4800 system elabdoc prod roche com - Mar 08 2023

web for the pcr only workflow the test reagents and prepared specimens are manually pipetted into the microwell plate ad plate 0 3 ml u for information on handling and preparing reagents and specimens and how to pipette them into the microwell plate refer to the test specific package insert figure 1 workflow for a pcr only run

roche diagnostics source for product information and documentation - Oct 15 2023

web roche diagnostics source for product information including technical documentation safety data sheets sds msds ventana product documents package inserts and links to cell marque product documentation

cobas liat policies and procedures manual roche diagnostics - Apr 09 2023

web the current reagent package inserts and instrument operator s manual for the product at the time of publication additional cobas liat system usage information which resides in bulletins updated manuals package inserts or any

cobas sars cov 2 influenza a b cardinal health - Mar 28 2022

web 1 package insert barcode card reagents in cobas sars cov 2 influenza a b assay tube reagent ingredients safety symbol and warninga cobas liat internal process control tris buffer tween 80 polyethylene glycol edta 0 001 stock bacteriophage ms2 inactivated 0 002 carrier rna 0 01 proclin 300 preservativeb

cobas pure integrated solutions roche diagnostics usa - Jun 11 2023

web cobas pure combines clinical chemistry immunochemistry and ise testing on a footprint of just 2 square meters giving access to our broad menu of more than 230 parameters including many unique high medical value assays

package insert cobas mpx u s food and drug administration - Jan 06 2023

web package insert cobas mpx cobas mpx multiplex hiv hcv hbv nucleic acid test for use on the cobas 6800 8800 systems for in vitro diagnostic use cobas mpx 96 p n 06998909190 cobas

cobas pik3ca mutation test ce ivd roche - Oct 03 2022

web the cobas pik3ca mutation test is a real time polymerase chain reaction pcr test used to identify patients with metastatic breast cancer whose tumors harbor pik3ca mutations

elabdoc roche diagnostics usa - Sep 14 2023

web elabdoc technical document resource more than 800 000 documents available on demand for centralized diagnostics tissue diagnostics molecular diagnostics life science sequencing and custom biotech product information

clinical chemistry immunochemistry roche diagnostics usa - Sep 02 2022

web cobas 6000 analyzer series empower your lab to get ahead and stay ahead mid volume throughput of up to 2 170 tests hour clinical chemistry and immunochemistry assays up to 7 configurations broad assay menu with up to 151 reagent positions see more

cobas sars cov 2 roche diagnostics usa - Apr 28 2022

web cobas sars cov 2 nucleic acid test for use on the cobas liat system package insert v01 pleasanton ca roche molecular systems inc 2021 compared to fda eua sars cov 2 rt pcr assays ifu data ci confidence intervals lod limit of detection tcid tissue culture infective dose

for in vitro diagnostic use roche diagnostics usa - Feb 07 2023

web package insert cobas influenza a b nucleic acid test for use on the cobas liat system 07806108190 01en page 3 of 28 iv reagents and instruments a materials provided the cobas influenza a b pack cat 07341890190 contains sufficient reagents to process 20 specimens or quality control samples

cobas roche - Dec 05 2022

web test specific package insert the test specific package insert provides information on preparation and handling of the reagent and dna isolation kit as well as on manual pcr setup of the microwell plate

drug of abuse testing dat portfolio roche diagnostics usa - Feb 24 2022

web methaqualone mtql opiates opi oxycodone oxy phencyclidine pcp propoxyphene ppx serum barbiturates sbarb serum benzodiazepines sbenz with full integration of drug of abuse testing and therapeutic drug monitoring we ll help you support faster firmer clinical decisions and meet the challenges of today and tomorrow

les grandes heures du philharmonique de vienne by hellsberg - Jan 28 2022

web retrouve ici les grandes heures du festival de salzbourg avec l orchestre philharmonique de vienne pour le lyrique et de la philharmonie de berlin pour le concert dans les années 80 chur philharmonique de marseille

les grandes heures du philharmonique de vienne amazon fr - Dec 07 2022

web noté 5 retrouvez les grandes heures du philharmonique de vienne et des millions de livres en stock sur amazon fr achetez neuf ou d occasion

festival les heures romantiques choeur symphonia - Jun 01 2022

web programme triple concerto en do majeur opus 56 pour piano violon violoncelle et orchestre direction florent mayet elegisher gesang opus 118 direction yannick berne fantaisie chorale opus 80 direction louis jean perreau interprété par trio l ensemble telemann chœur sinfonietta solistes sopranos marion grange alice

les grandes heures du philharmonique de vienne by hellsberg - Jul 02 2022

web april 26th 2020 issus pour la plupart des catalogues de la radio autrichienne Örf et de telemondial on retrouve ici les grandes heures du festival de salzbourg avec l orchestre philharmonique de vienne pour le

les grandes heures du philharmonique de vienne by hellsberg - Apr 11 2023

web les grandes heures du philharmonique de vienne by hellsberg depuis l ouverture de ses portes en 1869 avec un gala du

don giovanni de mozart l opéra national de vienne est devenu l une des salles de concert les plus célèbres au monde dotée d
les grandes heures du philharmonique de vienne - Nov 06 2022

web les grandes heures du philharmonique de vienne clemens hellsberg 1993 le spectacle du monde ralits 1999 imz bulletin international music centre 1983 le spectacle du monde 1999 disques de longue dure catalogue complet tous les disques 33 45 et 16 tours 1961 mozart aujourd hui brigitte van wymeersch 2007

the vienna philharmonic vienne ce qu il faut savoir pour - Feb 09 2023

web voici les meilleures façons de faire l expérience de the vienna philharmonic selon les voyageurs tripadvisor excursion privée d une journée complète de vienne à salzbourg à partir de 1 121 10 voyage privé d une journée de prague à

wiener philharmoniker jakub hrůša le 14 mai 2023 - Aug 03 2022

web jakub hrůša fait ses débuts à paris à la tête de l orchestre philharmonique de vienne le 14 mai 2023 au théâtre des champs elysées

les grandes heures du philharmonique de vienne by hellsberg - Mar 30 2022

web les grandes heures du festival de salzbourg avec l orchestre philharmonique de vienne pour le lyrique et de la philharmonie de berlin pour le concert dans les années 80 deux renaud capuon pour les grands et les petits

les grandes heures du philharmonique de vienne 2022 - Sep 04 2022

web heures laboratoires d essais culturels elle réunit les artistes montants de la ville au début du xxe siècle les béraud combet descombes mermillon suzette guillot description du cortège historique des comtes de flandre editions cheminements

festival les heures joyeuses françois dumont - Apr 30 2022

web festival les heures joyeuses 20 30 la vienne romantique avec helen kearns soprano schubert brahms strauss ajouter au calendrier google calendar ical réserver book détails du lieu salle de la chevalerie pl marcel moyse saint amour 39160

newsletter laissez ce champ vide si vous êtes humain facebook instagram

[orchestre philharmonique de vienne wikipédia](#) - Jul 14 2023

web l orchestre philharmonique de vienne en allemand wiener philharmoniker est l orchestre symphonique autrichien le plus renommé il est fondé en 1842 l orchestre a compté dans son effectif des membres comme hans richter arthur nikisch franz schmidt willi boskovsky

document les grandes heures du philharmonique de vienne - Mar 10 2023

web document les grandes heures du philharmonique de vienne utiliser les flèches haut et bas du clavier pour vous déplacer dans la liste de suggestions rechercher tapez les premières lettres pour faire apparaître des suggestions et utilisez la tabulation pour naviguer dans la liste de suggestions appuyez sur entrée pour accéder à la page

les grandes heures du philharmonique de vienne by hellsberg - Dec 27 2021

web aug 5 2023 les grandes heures du philharmonique de vienne by hellsberg lorchestre philharmonique de vienne dans le jura 1940 les grandes heures de l histoire de may 1st 2020 les grandes heures du philharmonique de vienne 39 90 eur livraison 20 00 eur livraison le grand livre d activités sirènes pour les

les grandes heures du philharmonique de vienne by hellsberg - Feb 26 2022

web philharmonique de vienne le reste de l année le musikverein propose également des concerts prestigieux issus de répertoires variés classique romantique musique contemporaine jazz

grandes heures philharmonique de vienne fnac - Aug 15 2023

web ean ancienne edition maj masse grandes heures philharmonique de vienne c hellsberg du may eds des milliers de livres avec la livraison chez vous en 1 jour ou en magasin avec 5 de réduction grandes heures philharmonique de vienne ean ancienne edition maj masse relié c hellsberg achat livre fnac

les grandes heures du philharmonique de vienne - May 12 2023

web vienna nuova guida oro les grandes heures du philharmonique de vienne downloaded from customizer monos com by guest michael schwartz gazette musicale de paris editions du rocher de terrifiants secrets dorment sur les pentes des estives c est au fond d une vallée de la haute

les grandes heures du philharmonique de vienne relié au - Oct 05 2022

web les grandes heures du philharmonique de vienne relié achat en ligne au meilleur prix sur e leclerc retrait gratuit dans de 700 magasins

les grandes heures du philharmonique de vienne decitre - Jun 13 2023

web oct 1 1993 les grandes heures du philharmonique de vienne de hellsberg Éditeur du may livraison gratuite à 0 01 dès 35 d achat librairie decitre votre prochain livre est là

l orchestre philharmonique de vienne à l honneur dimanche à - Jan 08 2023

web mar 10 2022 radio classique vous propose de passer la soirée de dimanche en compagnie de l une des formations les plus prestigieuses au monde l orchestre philharmonique de vienne au travers de cinq concerts dirigés par

The Enigmatic Realm of **Appliance Owners Manuals**: Unleashing the Language is Inner Magic

In a fast-paced digital era where connections and knowledge intertwine, the enigmatic realm of language reveals its inherent magic. Its capacity to stir emotions, ignite contemplation, and catalyze profound transformations is nothing short of extraordinary. Within the captivating pages of **Appliance Owners Manuals** a literary masterpiece penned by way of a renowned author, readers attempt a transformative journey, unlocking the secrets and untapped potential embedded within each word. In this evaluation, we shall explore the book's core themes, assess its distinct writing style, and delve into its lasting affect the hearts and minds of those who partake in its reading experience.

https://offsite.creighton.edu/files/virtual-library/Documents/fountas_and_pinnell_reading_assessment_pdf.pdf

https://offsite.creighton.edu/files/virtual-library/Documents/french_foreign_legion_criminals.pdf

https://offsite.creighton.edu/files/virtual-library/Documents/fred_engel_murder.pdf

Table of Contents Appliance Owners Manuals

1. Understanding the eBook Appliance Owners Manuals
 - The Rise of Digital Reading Appliance Owners Manuals
 - Advantages of eBooks Over Traditional Books
2. Identifying Appliance Owners Manuals
 - Exploring Different Genres
 - Considering Fiction vs. Non-Fiction
 - Determining Your Reading Goals
3. Choosing the Right eBook Platform
 - Popular eBook Platforms

- Features to Look for in an Appliance Owners Manuals
- User-Friendly Interface
- 4. Exploring eBook Recommendations from Appliance Owners Manuals
 - Personalized Recommendations
 - Appliance Owners Manuals User Reviews and Ratings
 - Appliance Owners Manuals and Bestseller Lists
- 5. Accessing Appliance Owners Manuals Free and Paid eBooks
 - Appliance Owners Manuals Public Domain eBooks
 - Appliance Owners Manuals eBook Subscription Services
 - Appliance Owners Manuals Budget-Friendly Options
- 6. Navigating Appliance Owners Manuals eBook Formats
 - ePub, PDF, MOBI, and More
 - Appliance Owners Manuals Compatibility with Devices
 - Appliance Owners Manuals Enhanced eBook Features
- 7. Enhancing Your Reading Experience
 - Adjustable Fonts and Text Sizes of Appliance Owners Manuals
 - Highlighting and Note-Taking Appliance Owners Manuals
 - Interactive Elements Appliance Owners Manuals
- 8. Staying Engaged with Appliance Owners Manuals
 - Joining Online Reading Communities
 - Participating in Virtual Book Clubs
 - Following Authors and Publishers Appliance Owners Manuals
- 9. Balancing eBooks and Physical Books Appliance Owners Manuals
 - Benefits of a Digital Library
 - Creating a Diverse Reading Collection Appliance Owners Manuals
- 10. Overcoming Reading Challenges
 - Dealing with Digital Eye Strain
 - Minimizing Distractions
 - Managing Screen Time
- 11. Cultivating a Reading Routine Appliance Owners Manuals

- Setting Reading Goals Appliance Owners Manuals
- Carving Out Dedicated Reading Time
- 12. Sourcing Reliable Information of Appliance Owners Manuals
 - Fact-Checking eBook Content of Appliance Owners Manuals
 - Distinguishing Credible Sources
- 13. Promoting Lifelong Learning
 - Utilizing eBooks for Skill Development
 - Exploring Educational eBooks
- 14. Embracing eBook Trends
 - Integration of Multimedia Elements
 - Interactive and Gamified eBooks

Appliance Owners Manuals Introduction

Appliance Owners Manuals Offers over 60,000 free eBooks, including many classics that are in the public domain. Open Library: Provides access to over 1 million free eBooks, including classic literature and contemporary works. Appliance Owners Manuals Offers a vast collection of books, some of which are available for free as PDF downloads, particularly older books in the public domain. Appliance Owners Manuals : This website hosts a vast collection of scientific articles, books, and textbooks. While it operates in a legal gray area due to copyright issues, its a popular resource for finding various publications. Internet Archive for Appliance Owners Manuals : Has an extensive collection of digital content, including books, articles, videos, and more. It has a massive library of free downloadable books. Free-eBooks Appliance Owners Manuals Offers a diverse range of free eBooks across various genres. Appliance Owners Manuals Focuses mainly on educational books, textbooks, and business books. It offers free PDF downloads for educational purposes. Appliance Owners Manuals Provides a large selection of free eBooks in different genres, which are available for download in various formats, including PDF. Finding specific Appliance Owners Manuals, especially related to Appliance Owners Manuals, might be challenging as theyre often artistic creations rather than practical blueprints. However, you can explore the following steps to search for or create your own Online Searches: Look for websites, forums, or blogs dedicated to Appliance Owners Manuals, Sometimes enthusiasts share their designs or concepts in PDF format. Books and Magazines Some Appliance Owners Manuals books or magazines might include. Look for these in online stores or libraries. Remember that while Appliance Owners Manuals, sharing copyrighted material without permission is not legal. Always ensure youre either creating your own or obtaining them from legitimate sources that allow sharing and downloading. Library Check if your local library offers eBook lending

services. Many libraries have digital catalogs where you can borrow Appliance Owners Manuals eBooks for free, including popular titles. Online Retailers: Websites like Amazon, Google Books, or Apple Books often sell eBooks. Sometimes, authors or publishers offer promotions or free periods for certain books. Authors Website Occasionally, authors provide excerpts or short stories for free on their websites. While this might not be the Appliance Owners Manuals full book, it can give you a taste of the authors writing style. Subscription Services Platforms like Kindle Unlimited or Scribd offer subscription-based access to a wide range of Appliance Owners Manuals eBooks, including some popular titles.

FAQs About Appliance Owners Manuals Books

What is a Appliance Owners Manuals PDF? A PDF (Portable Document Format) is a file format developed by Adobe that preserves the layout and formatting of a document, regardless of the software, hardware, or operating system used to view or print it. **How do I create a Appliance Owners Manuals PDF?** There are several ways to create a PDF: Use software like Adobe Acrobat, Microsoft Word, or Google Docs, which often have built-in PDF creation tools. Print to PDF: Many applications and operating systems have a "Print to PDF" option that allows you to save a document as a PDF file instead of printing it on paper. Online converters: There are various online tools that can convert different file types to PDF. **How do I edit a Appliance Owners Manuals PDF?** Editing a PDF can be done with software like Adobe Acrobat, which allows direct editing of text, images, and other elements within the PDF. Some free tools, like PDFescape or Smallpdf, also offer basic editing capabilities. **How do I convert a Appliance Owners Manuals PDF to another file format?** There are multiple ways to convert a PDF to another format: Use online converters like Smallpdf, Zamzar, or Adobe Acrobats export feature to convert PDFs to formats like Word, Excel, JPEG, etc. Software like Adobe Acrobat, Microsoft Word, or other PDF editors may have options to export or save PDFs in different formats. **How do I password-protect a Appliance Owners Manuals PDF?** Most PDF editing software allows you to add password protection. In Adobe Acrobat, for instance, you can go to "File" -> "Properties" -> "Security" to set a password to restrict access or editing capabilities. Are there any free alternatives to Adobe Acrobat for working with PDFs? Yes, there are many free alternatives for working with PDFs, such as: LibreOffice: Offers PDF editing features. PDFsam: Allows splitting, merging, and editing PDFs. Foxit Reader: Provides basic PDF viewing and editing capabilities. How do I compress a PDF file? You can use online tools like Smallpdf, ILovePDF, or desktop software like Adobe Acrobat to compress PDF files without significant quality loss. Compression reduces the file size, making it easier to share and download. Can I fill out forms in a PDF file? Yes, most PDF viewers/editors like Adobe Acrobat, Preview (on Mac), or various online tools allow you to fill out forms in PDF files by selecting text fields and entering information. Are there any restrictions when working with PDFs? Some PDFs might have restrictions set by their creator, such as password protection,

editing restrictions, or print restrictions. Breaking these restrictions might require specific software or tools, which may or may not be legal depending on the circumstances and local laws.

Find Appliance Owners Manuals :

fountas and pinnell reading assessment pdf

french foreign legion criminals

fred engel murder

freak the mighty pdf

frequency words in spanish

fraction word problems pdf

free band contract

french reading comprehension test

frederick douglass books he wrote

free nys real estate salesperson practice exams

free ebooks. net

fox mole horse book

four agreements summary

fraction story problems

free vpk broward county

Appliance Owners Manuals :