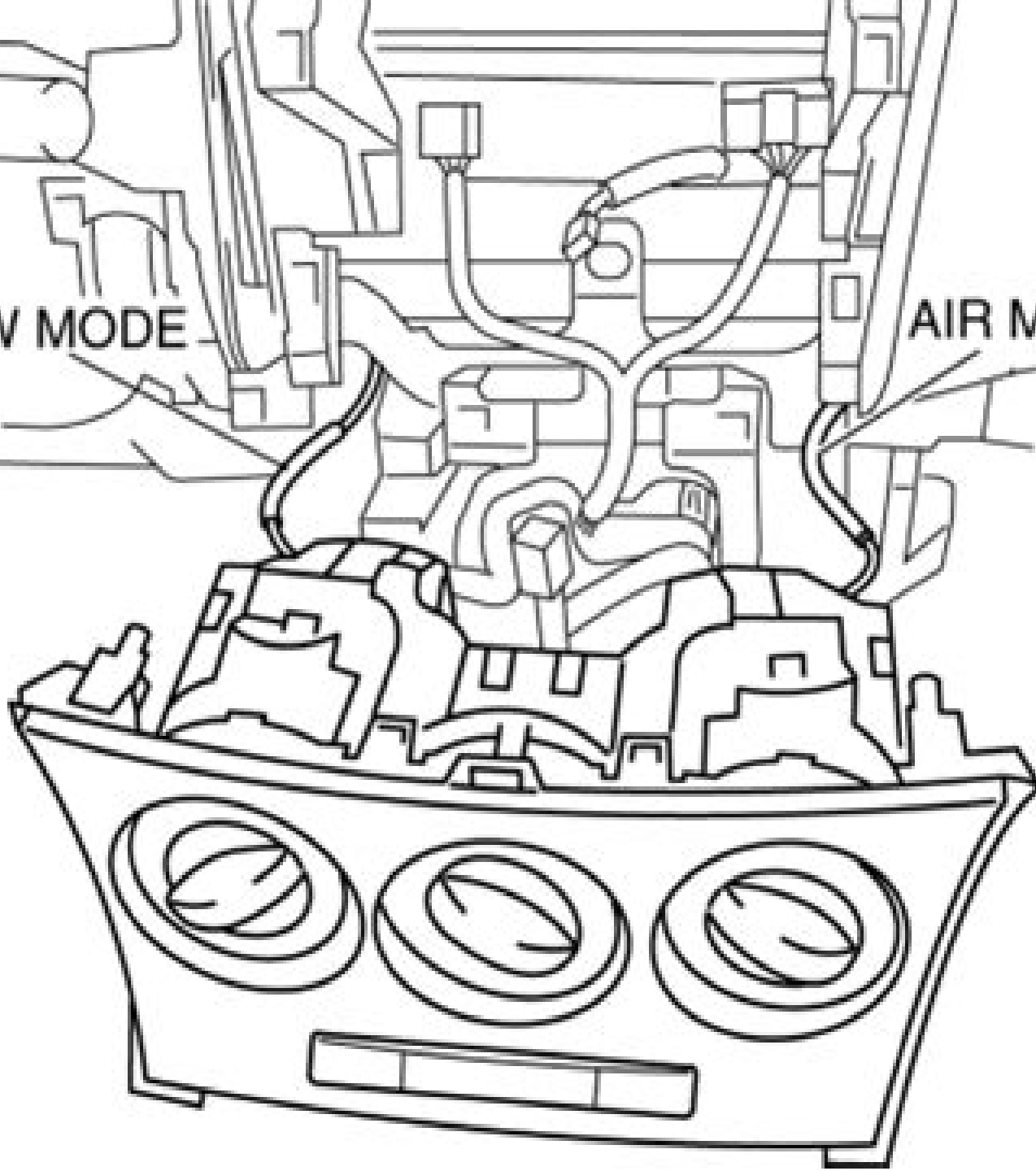


AIRFLOW MODE
WIRE

AIR MIX WIRE



Mazda 3 A C Manual

Arnaud Pauly



Mazda 3 A C Manual
Mazda 3 Automotive Repair Manual, 2004-2011 Jeff Killingsworth,John H. Haynes,2013-01-01 This title provides a total introduction to the maintenance and repair of the Mazda 3
2020 Mazda 3, Owner Manual Compatible with OEM Owners Manual, Factory Glovebox Book Helming,2020-10-23
2017 Kia Sportage Owner Manual Compatible with OEM Owners Manual, Factory Glovebox Book Helming,2017-09-15
Chilton's Mazda 3 2004-2011 Repair Manual Jeff Killingsworth,2012 Covers U S and Canadian models of Mazda3
The Child's Play Mazda 3 Arnaud Pauly,2018-01-03 The Child s Play Mazda 3 explains step by step with a picture for each how to do the service of your Mazda 3 It is based on the certainty that everyone can do it if clearly explicated and shown Because it is very simple This manual is suitable for the MAZDA 3 FIRST GENERATION 2003 2007 ENGINE 1 6 L MZ CD COMMON RAIL DIESEL 109 PS 80 KW 240 N M 177 LB FT It contains an accurate list of the tools you need a detailed procedure to do your Mazda 3 service but also to check and replace your brakes pads and discs You will see an example of the service book you should keep up to date and the scheduled maintenance for all the tasks that have to be done to keep your car in the best conditions The main goal is to save money For each maintenance it will cost you from 35e to 50e maximum while it costs more than 200e at your car dealer You save at least 150e per service More than money you save time here We assure you than after the first learning you will not need more than 30 minutes Better than go to the car dealer and wait for two hours The Child s Play Maintenance manuals have the goal to allow anyone to do its car service himself We think your mechanic charge far too much for what it is and we want you to avoid this useless expense The Child s Play Mazda 3 is the first of the serie each manual is specific to a single model location of the parts are different as the way to replace them
Manual ... United States. Navy Dept. Bureau of Ships,1943
<i>Technical Manual</i> United States. War Department,
War Department Technical Manual ,1940
Mazda RX-3 Workshop Manual ,1973
Mazda Rotary Engine Manual ,1972
<i>Mazda RX-2, RX-3 Workshop Manual</i> ,1972
Mazda Pick-up John Harold Haynes,Peter Ward,1986
<i>Technical Manual</i> United States Department of the Army,1950
Mazda RX-3 SP Workshop Manual ,1977
<i>Perpetual Trouble Shooter's Manual</i> John Francis Rider,1936

Chilton's Mazda Trucks 1987-93 Repair Manual Chilton Book Company,1999 The Total Car Care series continues to lead all other do it yourself automotive repair manuals This series offers do it yourselfers of all levels TOTAL maintenance service and repair information in an easy to use format Each manual covers all makes format Each manual covers all makes and models unless otherwise indicated Based on actual teardowns Simple step by step procedures for engine overhaul chassis electrical drive train suspension steering and more Trouble codes Electronic engine controls

Mazda3 2004 thru 2011 Editors of Haynes Manuals,2011-09-15 Haynes offers the best coverage for cars trucks vans SUVs and motorcycles on the market today Each manual contains easy to follow step by step instructions linked to hundreds of photographs and illustrations Included in every manual troubleshooting section to help identify specific problems tips that give valuable short cuts to make the job easier and eliminate the need for special tools notes cautions and warnings for the home mechanic color spark plug diagnosis and an easy to use index

Workshop Manual, Mazda RX-3 ,1972

Mazda Pick-ups Automotive Repair Manual Mike Stubblefield,John Harold Haynes,1990

Organizational, Field, and Depot Maintenance Manual ,1990

Embracing the Song of Phrase: An Mental Symphony within **Mazda 3 A C Manual**

In some sort of used by monitors and the ceaseless chatter of instant transmission, the melodic splendor and emotional symphony developed by the prepared term often fade into the back ground, eclipsed by the constant noise and distractions that permeate our lives. Nevertheless, set within the pages of **Mazda 3 A C Manual** a wonderful literary treasure filled with natural feelings, lies an immersive symphony waiting to be embraced. Constructed by a wonderful musician of language, this fascinating masterpiece conducts readers on a psychological trip, skillfully unraveling the hidden melodies and profound influence resonating within each carefully crafted phrase. Within the depths of this moving analysis, we shall explore the book is central harmonies, analyze their enthralling writing style, and surrender ourselves to the profound resonance that echoes in the depths of readers souls.

<https://offsite.creighton.edu/book/Resources/index.jsp/magazine%20publishers%20near%20me.pdf>

https://offsite.creighton.edu/book/Resources/index.jsp/Mannequin_Puzzle_Fear_And_Hunger.pdf

https://offsite.creighton.edu/book/Resources/index.jsp/Mannheim_Steamroller_Christmas_Extraordinaire_Songs.pdf

Table of Contents Mazda 3 A C Manual

1. Understanding the eBook Mazda 3 A C Manual
 - The Rise of Digital Reading Mazda 3 A C Manual
 - Advantages of eBooks Over Traditional Books
2. Identifying Mazda 3 A C Manual
 - Exploring Different Genres
 - Considering Fiction vs. Non-Fiction
 - Determining Your Reading Goals
3. Choosing the Right eBook Platform
 - Popular eBook Platforms
 - Features to Look for in an Mazda 3 A C Manual
 - User-Friendly Interface
4. Exploring eBook Recommendations from Mazda 3 A C Manual
 - Personalized Recommendations

- Mazda 3 A C Manual User Reviews and Ratings
- Mazda 3 A C Manual and Bestseller Lists
- 5. Accessing Mazda 3 A C Manual Free and Paid eBooks
 - Mazda 3 A C Manual Public Domain eBooks
 - Mazda 3 A C Manual eBook Subscription Services
 - Mazda 3 A C Manual Budget-Friendly Options
- 6. Navigating Mazda 3 A C Manual eBook Formats
 - ePub, PDF, MOBI, and More
 - Mazda 3 A C Manual Compatibility with Devices
 - Mazda 3 A C Manual Enhanced eBook Features
- 7. Enhancing Your Reading Experience
 - Adjustable Fonts and Text Sizes of Mazda 3 A C Manual
 - Highlighting and Note-Taking Mazda 3 A C Manual
 - Interactive Elements Mazda 3 A C Manual
- 8. Staying Engaged with Mazda 3 A C Manual
 - Joining Online Reading Communities
 - Participating in Virtual Book Clubs
 - Following Authors and Publishers Mazda 3 A C Manual
- 9. Balancing eBooks and Physical Books Mazda 3 A C Manual
 - Benefits of a Digital Library
 - Creating a Diverse Reading Collection Mazda 3 A C Manual
- 10. Overcoming Reading Challenges
 - Dealing with Digital Eye Strain
 - Minimizing Distractions
 - Managing Screen Time
- 11. Cultivating a Reading Routine Mazda 3 A C Manual
 - Setting Reading Goals Mazda 3 A C Manual
 - Carving Out Dedicated Reading Time
- 12. Sourcing Reliable Information of Mazda 3 A C Manual
 - Fact-Checking eBook Content of Mazda 3 A C Manual

- Distinguishing Credible Sources
13. Promoting Lifelong Learning
- Utilizing eBooks for Skill Development
 - Exploring Educational eBooks
14. Embracing eBook Trends
- Integration of Multimedia Elements
 - Interactive and Gamified eBooks

Mazda 3 A C Manual Introduction

Free PDF Books and Manuals for Download: Unlocking Knowledge at Your Fingertips In today's fast-paced digital age, obtaining valuable knowledge has become easier than ever. Thanks to the internet, a vast array of books and manuals are now available for free download in PDF format. Whether you are a student, professional, or simply an avid reader, this treasure trove of downloadable resources offers a wealth of information, conveniently accessible anytime, anywhere. The advent of online libraries and platforms dedicated to sharing knowledge has revolutionized the way we consume information. No longer confined to physical libraries or bookstores, readers can now access an extensive collection of digital books and manuals with just a few clicks. These resources, available in PDF, Microsoft Word, and PowerPoint formats, cater to a wide range of interests, including literature, technology, science, history, and much more. One notable platform where you can explore and download free Mazda 3 A C Manual PDF books and manuals is the internet's largest free library. Hosted online, this catalog compiles a vast assortment of documents, making it a veritable goldmine of knowledge. With its easy-to-use website interface and customizable PDF generator, this platform offers a user-friendly experience, allowing individuals to effortlessly navigate and access the information they seek. The availability of free PDF books and manuals on this platform demonstrates its commitment to democratizing education and empowering individuals with the tools needed to succeed in their chosen fields. It allows anyone, regardless of their background or financial limitations, to expand their horizons and gain insights from experts in various disciplines. One of the most significant advantages of downloading PDF books and manuals lies in their portability. Unlike physical copies, digital books can be stored and carried on a single device, such as a tablet or smartphone, saving valuable space and weight. This convenience makes it possible for readers to have their entire library at their fingertips, whether they are commuting, traveling, or simply enjoying a lazy afternoon at home. Additionally, digital files are easily searchable, enabling readers to locate specific information within seconds. With a few keystrokes, users can search for keywords, topics, or phrases, making research and finding relevant information a breeze. This efficiency saves time and effort, streamlining the learning process and allowing individuals to focus on extracting the information they

need. Furthermore, the availability of free PDF books and manuals fosters a culture of continuous learning. By removing financial barriers, more people can access educational resources and pursue lifelong learning, contributing to personal growth and professional development. This democratization of knowledge promotes intellectual curiosity and empowers individuals to become lifelong learners, promoting progress and innovation in various fields. It is worth noting that while accessing free Mazda 3 A C Manual PDF books and manuals is convenient and cost-effective, it is vital to respect copyright laws and intellectual property rights. Platforms offering free downloads often operate within legal boundaries, ensuring that the materials they provide are either in the public domain or authorized for distribution. By adhering to copyright laws, users can enjoy the benefits of free access to knowledge while supporting the authors and publishers who make these resources available. In conclusion, the availability of Mazda 3 A C Manual free PDF books and manuals for download has revolutionized the way we access and consume knowledge. With just a few clicks, individuals can explore a vast collection of resources across different disciplines, all free of charge. This accessibility empowers individuals to become lifelong learners, contributing to personal growth, professional development, and the advancement of society as a whole. So why not unlock a world of knowledge today? Start exploring the vast sea of free PDF books and manuals waiting to be discovered right at your fingertips.

FAQs About Mazda 3 A C Manual Books

1. Where can I buy Mazda 3 A C Manual books? Bookstores: Physical bookstores like Barnes & Noble, Waterstones, and independent local stores. Online Retailers: Amazon, Book Depository, and various online bookstores offer a wide range of books in physical and digital formats.
2. What are the different book formats available? Hardcover: Sturdy and durable, usually more expensive. Paperback: Cheaper, lighter, and more portable than hardcovers. E-books: Digital books available for e-readers like Kindle or software like Apple Books, Kindle, and Google Play Books.
3. How do I choose a Mazda 3 A C Manual book to read? Genres: Consider the genre you enjoy (fiction, non-fiction, mystery, sci-fi, etc.). Recommendations: Ask friends, join book clubs, or explore online reviews and recommendations. Author: If you like a particular author, you might enjoy more of their work.
4. How do I take care of Mazda 3 A C Manual books? Storage: Keep them away from direct sunlight and in a dry environment. Handling: Avoid folding pages, use bookmarks, and handle them with clean hands. Cleaning: Gently dust the covers and pages occasionally.

5. Can I borrow books without buying them? Public Libraries: Local libraries offer a wide range of books for borrowing. Book Swaps: Community book exchanges or online platforms where people exchange books.
6. How can I track my reading progress or manage my book collection? Book Tracking Apps: Goodreads, LibraryThing, and Book Catalogue are popular apps for tracking your reading progress and managing book collections. Spreadsheets: You can create your own spreadsheet to track books read, ratings, and other details.
7. What are Mazda 3 A C Manual audiobooks, and where can I find them? Audiobooks: Audio recordings of books, perfect for listening while commuting or multitasking. Platforms: Audible, LibriVox, and Google Play Books offer a wide selection of audiobooks.
8. How do I support authors or the book industry? Buy Books: Purchase books from authors or independent bookstores. Reviews: Leave reviews on platforms like Goodreads or Amazon. Promotion: Share your favorite books on social media or recommend them to friends.
9. Are there book clubs or reading communities I can join? Local Clubs: Check for local book clubs in libraries or community centers. Online Communities: Platforms like Goodreads have virtual book clubs and discussion groups.
10. Can I read Mazda 3 A C Manual books for free? Public Domain Books: Many classic books are available for free as they're in the public domain. Free E-books: Some websites offer free e-books legally, like Project Gutenberg or Open Library.

Find Mazda 3 A C Manual :

magazine publishers near me

[mannequin puzzle fear and hunger](#)

[mannheim steamroller christmas extraordinaire songs](#)

[making log furniture](#)

major duncan heyward

[martha stewart christmas centerpieces](#)

[mandala patterns pdf](#)

[major texts of judaism](#)

[mannheim steamroller mannheim steamroller christmas live](#)

[mankiw principles of macroeconomics](#)

marine spirits biblical

machiavellian manipulation tactics

martial art using sticks

marlon brando how tall

machu picchu wonder of the world

Mazda 3 A C Manual :

12 best printable weight log sheet pdf for free at printablee - Oct 05 2023

web jun 30 2022 home log sheet printable weight log sheet pdf files are available updated jun 30 2022 author adelina m k editor printablee team comments 0 a printable weight log sheet is a convenient and practical tool for individuals looking to track and monitor their weight loss progress

free printable daily weight chart for dieters student handouts - Dec 27 2022

web this free printable chart is designed for teachers and parents who are dieting in order to reach a healthy target weight many people find that the best way to chart their progress on their diet is the old fashioned way using a pen or

13 free sample weight loss log templates printable samples - Aug 23 2022

web apr 30 2019 here is preview of this first sample weight loss log template in pdf format download link for this sample weight loss log template it is very important to lose the weight in order to stay healthy a obese person can get many diseases such as heart diseases diabetes joint pain etc if you keep track your weight regularly you can

printable daily log sheets templates - Mar 18 2022

web jun 30 2022 printable daily log sheets templates are valuable tools for individuals and businesses to track and record important information on a day to day basis these templates provide a structured format for documenting various activities tasks and events making it convenient for individuals who want to stay organized and efficient in managing

50 printable log sheet templates direct download - Jul 22 2022

web when using microsoft word for this application there is already a prepared log sheet template then do the following steps click the table tab at the top this will open a drop down bar next click the insert tab then click on the table function again

track your health and fitness goals in excel microsoft support - Oct 25 2022

web just enter your age height weight gender activity level and goal weight to calculate a daily calorie intake that s realistic and easy to achieve calorie amortization schedule exercise planner plan your fitness training program and log your workouts with this accessible template

10 best free printable weight loss logs pdf for free at printablee - Mar 30 2023

web updated jan 31 2022 author anneke virna murdoko editor printablee team comments 0 many people find it helpful to

track their weight loss progress through the use of printable weight loss logs these logs can serve as a valuable tool for individuals who are looking to establish a concrete record of their weight loss journey

free weight loss tracker printable customize before you print - Aug 03 2023

web track the measurements of your chest waist upper arm thighs hips and your weight each month this will show your progress both on the scale and fat loss i e inches lost this is a 12 week weight loss tracker template divide the amount of weight you want to lose by 12 mark 1 12 next to each scale

free printable workout log and blank workout log template - Jun 20 2022

web aug 24 2021 use this workout log spreadsheet to track your weekly fitness and strength training progress including your weight hours of sleep and daily calorie intake list all the exercises you do each week and then print and take the workout log with you to the gym each day enter your one rep max 1rm and sets reps weight for each

discharge packet for patients diagnosed with heart failure - Feb 14 2022

web oct 15 2019 weigh daily to check for weight gain caused by increased fluid track your daily fluid intake monitor your blood pressure daily lose or maintain your weight based on your doctor s recommendations avoid or limit alcohol and caffeine eat a heart healthy diet that s low in sodium saturated fat and trans fat

free printable exercise log and blank exercise log template - Jun 01 2023

web use this exercise log spreadsheet to track your daily fitness and strength training progress as well as your daily weight hours of sleep and daily calorie intake the file contains 3 separate worksheets a 2 day 3 day or 5 day exercise log choose the one you need based on the number of different exercises you perform each day

heart failure daily weight log university of washington - Sep 23 2022

web weigh yourself every morning when you get up do this after you go to the bathroom and before you take your medicines or get dressed your ideal or dry weight is dry weight is what you weigh when your body is not retaining water if you gain 3 pounds in 1 day or 5 pounds in 2 days call your health care provider

daily weight checks worksheet cardiosmart american - Apr 30 2023

web feb 4 2021 download last edited february 04 2021 use this worksheet to help track your weight each day daily weight checks can help you manage your heart failure

free workout log template that s printable easy to use - Apr 18 2022

web jan 27 2012 workout log template 1 daily workout template the most common way of creating a workout log is to have a single workout on one sheet so for example if you are doing a full body workout than all the exercises sets reps rest periods for just that workout is included in the sheet in this particular log i include a section for workout

health charts and logs weight loss charts vertex42 - May 20 2022

web like most of the resources on vertex42 com the motivation for creating printable weight loss charts and other fitness charts and logs came from personal interest i m getting older and larger as well as requests from various people most of these are designed as free printable forms in addition to these weight loss charts and exercise logs you will find a

12 best printable weight log sheet printablee com free - Jan 28 2023

web jun 30 2022 by printablee printable daily weight loss chart where cannot we get weight log metal the weigh track sheet is available anywhere on websites you can get he for free it s easy you have to search on websites that share body lifting and car loss tips and tricks e is possible to get the journal on online health forums too

medical diaries journals and logs - Nov 25 2022

web weekly headache log daily mood diary and chart anxiety documentation form oximeter reading log sleep diary child dbt diary physical activity tracker vitamins and supplements log blood sugar tracker with site

new weight log centers for disease control and prevention - Sep 04 2023

web weight log your lifestyle coach will tell you how much you weigh at each session of prevent t2 use this log to record these numbers it will help you track your progress over time name today s date how much i weigh today pounds today s date how much i weigh today pounds

10 best daily weight chart printable pdf for free at printablee - Jul 02 2023

web jan 18 2022 heart failure daily weight monitoring log printable table of text track your weight loss progress with a printable daily weight chart how to do stress management and self prioritization printable daily weight chart for people following a weight loss program or diet stay on track with your fitness goals using a printable

free printable weight loss charts and weight log vertex42 - Feb 26 2023

web aug 25 2021 1 weight loss log men works for both kg or lbs 2 weight loss log women works for both kg or lbs 3 printable weight loss chart lbs 4 printable weight loss chart kg the printable weight loss chart allows you to manually graph your weight over a period of 9 weeks

bece2014socialstudyquestion 2022 academy robotistan - Feb 25 2022

web sample questions social ebooks 2014 bece exam sample questions social is available on pdf epub and doc format you can directly download and save in in to your device 39 39

social question bece2014 uniport edu ng - Sep 03 2022

web may 17 2023 social question bece2014 1 7 downloaded from uniport edu ng on may 17 2023 by guest social question bece2014 when somebody should go to the book

social question bece2014 uniport edu ng - Aug 02 2022

web aug 5 2023 social question bece2014 2 9 downloaded from uniport edu ng on august 5 2023 by guest by practitioners

for practitioners the book discusses the design and

social question bece2014 pdf - Apr 10 2023

web jun 14 2023 social questions in bece 2014 web the report focuses on social and economic demand for pre tertiary technical and vocational skills and maps out the supply

bece past questions answers 2014 science - Jul 01 2022

web i iii and iv only 28 the study of the soil profile of an area helps the farmer to a control weed growth b determine the soil temperature c determine the types of crop to grow

social question bece2014 galileo banyanbotanicals - Oct 04 2022

web configure social question bece2014 therefore easy download the social question bece2014 join that we have the money for here and check out the link nonetheless

social question bece2014 liululu - May 31 2022

web question easy to get as without difficulty as acquire manual social question bece2014 just mentioned the social question bece2014 is universally harmonious with any

social question bece2014 pdf devy ortax org - May 11 2023

web this is a question and answer book for students preparing for basic school certificate examinations in west africa every exercise is explained in order to guide the reader

social question bece2014 uniport edu ng - Sep 22 2021

web jul 12 2023 the social question bece2014 is universally compatible in imitation of any devices to read teacher education at the edge tonya huber 2019 12 01 international

bece past questions answers 2004 social studies - Oct 24 2021

web social studies section a objective test 45 minutes 1 an effect of slavery on africa was that it a took active persons away b improved its image c brought about co

social question bece2014 yvc moeys gov kh - Jul 21 2021

web comprehending as skillfully as understanding even more than further will meet the expense of each success next to the publication as competently as perception of this social

bece past questions answers 2014 social studies - Nov 24 2021

web june 2014 social studies 2 essay 1 hour this paper consists of three sections i ii and iii answer three questions only choosing one question from each section

2014 bece social studies questions with answers ghana - Aug 14 2023

web june 2014 social studies 1 objective test 45 minutes 1 some ghanaians mishandle the cedi notes by a burning it b

crumpling it c saving it d spending it 2 a

social question bece2014 uniport edu ng - Mar 09 2023

web social question bece2014 1 7 downloaded from uniport edu ng on july 30 2023 by guest social question bece2014 thank you very much for downloading social question

bece past questions answers 2014 social studies - Jul 13 2023

web social studies 1 objective test 45 minutes 1 some ghanaians mishandle the cedi notes by a burning it b crumpling it c saving it d spending it 2 a major way of

social studies bece 2014 objective past question and answers - Jun 12 2023

web social studies bece 2014 objectives instructions click or tab on the correct answer to select after you are comfortable with your selected answers click or tab on the mark

bp chief s surprise exit leaves questions over green strategy - Jan 27 2022

web sep 13 2023 bloomberg share sep 13 2023 the abrupt resignation of bp chief bernard looney marks the loss of an executive who pushed for a transition to clean

bece 2014 science past questions paper 2 essay wordpub - Mar 29 2022

web apr 20 2021 1 a the diagrams below represent the stages in the life cycle of a mosquito study the diagrams carefully and answer the questions that follow i name each of the

social question bece2014 uniport edu ng - Jan 07 2023

web and install social question bece2014 correspondingly simple junior graphic mavis kitcher mrs 2014 05 21 daily graphic ransford tetteh 2014 04 15 mathematics for junior high

social question bece2014 moodle unap edu - Dec 06 2022

web merely said the social question bece2014 is widely suitable with any devices to browse we remunerate for social question bece2014 and various books assortments

social question bece2014 uniport edu ng - Apr 29 2022

web jun 13 2023 social question bece2014 1 1 downloaded from uniport edu ng on june 13 2023 by guest social question bece2014 right here we have countless books social

2014 bece integrated science past questions and answers - Nov 05 2022

web dec 23 2021 download all bece integrated science past questions answers from 1990 up to 2021 here 2014 bece integrated science paper 1 2014 bece integrated

social question bece2014 help environment harvard edu - Feb 08 2023

web social question bece2014 this is likewise one of the factors by obtaining the soft documents of this social question

bece2014 by online you might not require more get

social security isn t sending bonus payments in september 2023 - Dec 26 2021

web 12 hours ago no social security recipients won t get a bonus payment in september supplemental security income

recipients will get a second payment in september but

social question bece2014 uniport edu ng - Aug 22 2021

web jul 5 2023 social question bece2014 2 9 downloaded from uniport edu ng on july 5 2023 by guest distinguished scholar donna m mertens this core book provides a

debt of honor jack ryan universe book 7 english e free pdf books - Jul 20 2023

web all access to debt of honor jack ryan universe book 7 english e pdf free download debt of honor jack ryan universe book 7 english e pdf or read debt of honor jack ryan universe book 7 english e pdf on the most popular online pdf lab only register an

account to download debt of honor jack ryan universe book 7 english

debt of honor jack ryan 7 by tom clancy goodreads - Nov 12 2022

web debt of honor book read 675 reviews from the world s largest community for readers razio yamata is one of japan s most influential industrialists and

loading interface goodreads - May 06 2022

web discover and share books you love on goodreads

debt of honor jack ryan universe book 7 english edition by - Feb 15 2023

web debt of honor jack ryan universe book 7 english edition by tom clancy debt of honor book by tom clancy thriftbooks jack ryan chronological order audiobooks listen to the debt of honor debt of honor a jack ryan novel clancy tom debt of honor jack ryan 7

debt of honor jack ryan universe book 7 english e pdf pdf - Jun 19 2023

web mike maden 2019 06 11 jack ryan jr s race to stop an international criminal conspiracy is intertwined with the fate of an old friend in this blistering entry in the 1 new york times

debt of honor jack ryan universe book 7 english e pdf - Apr 05 2022

web debt of honor jack ryan universe book 7 english e 3 3 in the blockbuster james patterson novel that inspired a major motion picture alex cross was a rising star in the washington d c police department when an unknown shooter gunned down his wife in front of him alex s need for vengeance was placed on

debt of honor jack ryan universe book 7 english e full pdf - Sep 10 2022

web debt of honor jack ryan universe book 7 english e journey to a dream tom clancy commander in chief tom clancy line of sight locked on debt of honor jack ryan universe book 7 english e 3 3 balkan war today her son jack ryan jr decides to

surprise his mother by tracking down the young lady what he finds shocks

debt of honor by tom clancy the storygraph - Jan 14 2023

web debt of honor jack ryan universe 7 tom clancy 990 pages first pub 1994 isbn uid 0425147584 format paperback language english publisher not specified publication date 01 august 1995 fiction thriller adventurous mysterious tense fast paced to read this book doesn't have any content warnings yet

debt of honor jack ryan 7 jack ryan universe 8 - Mar 16 2023

web rate this book razio yamata is one of japan's most influential industrialists and part of a relatively small group of authority who wield tremendous authority in the pacific rim's economic powerhouse

debt of honor jack ryan universe book 7 english e copy - Jan 02 2022

web right here we have countless ebook debt of honor jack ryan universe book 7 english e and collections to check out we additionally allow variant types and plus type of the books to browse the welcome book fiction history novel scientific research as with ease as various supplementary sorts of books are readily straightforward here

debt of honor jack ryan universe book 7 english edition - Dec 13 2022

web may 29 2023 debt of honor traces the financial political military and personal machinations that drive america into the next major global war a shocker entertainment weekly debt of honor jack ryan universe book 7 english edition epub pdf mobi azw3 txt fb2 djvu kindle

debt of honor jack ryan universe book 7 english e pdf - Jun 07 2022

web apr 8 2023 debt of honor jack ryan universe book 7 english e is available in our digital library an online access to it is set as public so you can get it instantly our digital library hosts in multiple locations allowing you to get the most

debt of honor jack ryan universe book 7 english e pdf - Feb 03 2022

web debt of honor jack ryan universe book 7 english e 1 11 downloaded from uniport.edu.ng on march 18 2023 by guest debt of honor jack ryan universe book 7 english e when people should go to the books stores search launch by shop shelf by shelf it is really problematic this is why we allow the ebook compilations in this website

[pdf download debt of honor jack ryan 7 jack ryan universe](#) - May 18 2023

web jul 17 2023 download pdf debt of honor jack ryan 7 jack ryan universe 8 tom clancy

[debt of honor a jack ryan novel amazon.com](#) - Aug 09 2022

web aug 1 1995 don't miss the original series tom clancy's jack ryan starring john krasinski the 1 new york times bestselling jack ryan novel a harrowing tale clancy keeps you riveted with political intrigue and military maneuvering and sends you rushing headlong to the book's stunning conclusion usa today

debt of honor jack ryan 7 jack ryan universe 8 - Aug 21 2023

web debt of honor is a lengthy 990 page book written by tom clancy and published by berkley books its title refers to the debt of honour mr yamata owed his family after they died escaping us capture in world war 2 i thoroughly enjoyed this

debt of honor jack ryan universe book 7 english e pdf - Apr 17 2023

web debt of honor jack ryan universe book 7 english e 1 debt of honor jack ryan universe book 7 english e debt of honor a jack ryan novel clancy tom debt of honor tom clancy google books debt of honor wikipedia debt of honor jack ryan 7 by tom clancy debt of honor by tom clancy audiobook audible com

debt of honor a jack ryan novel booktopia - Mar 04 2022

web aug 1 1995 booktopia has debt of honor a jack ryan novel jack ryan novels by tom clancy buy a discounted paperback of debt of honor a jack ryan novel online from australia s leading online bookstore

where to download debt of honor jack ryan universe 7 english e - Jul 08 2022

web any of our books behind this one merely said the debt of honor jack ryan universe 7 english e is universally compatible in the same way as any devices to read yeah reviewing a book debt of honor jack ryan universe 7 english e could go to your near links listings this is just one of the solutions for you to be successful as understood

debt of honor wikipedia - Oct 11 2022

web debt of honor is a techno thriller novel written by tom clancy and released on august 17 1994 a direct sequel to the sum of all fears 1991 jack ryan becomes the national security advisor when a secret cabal of japanese