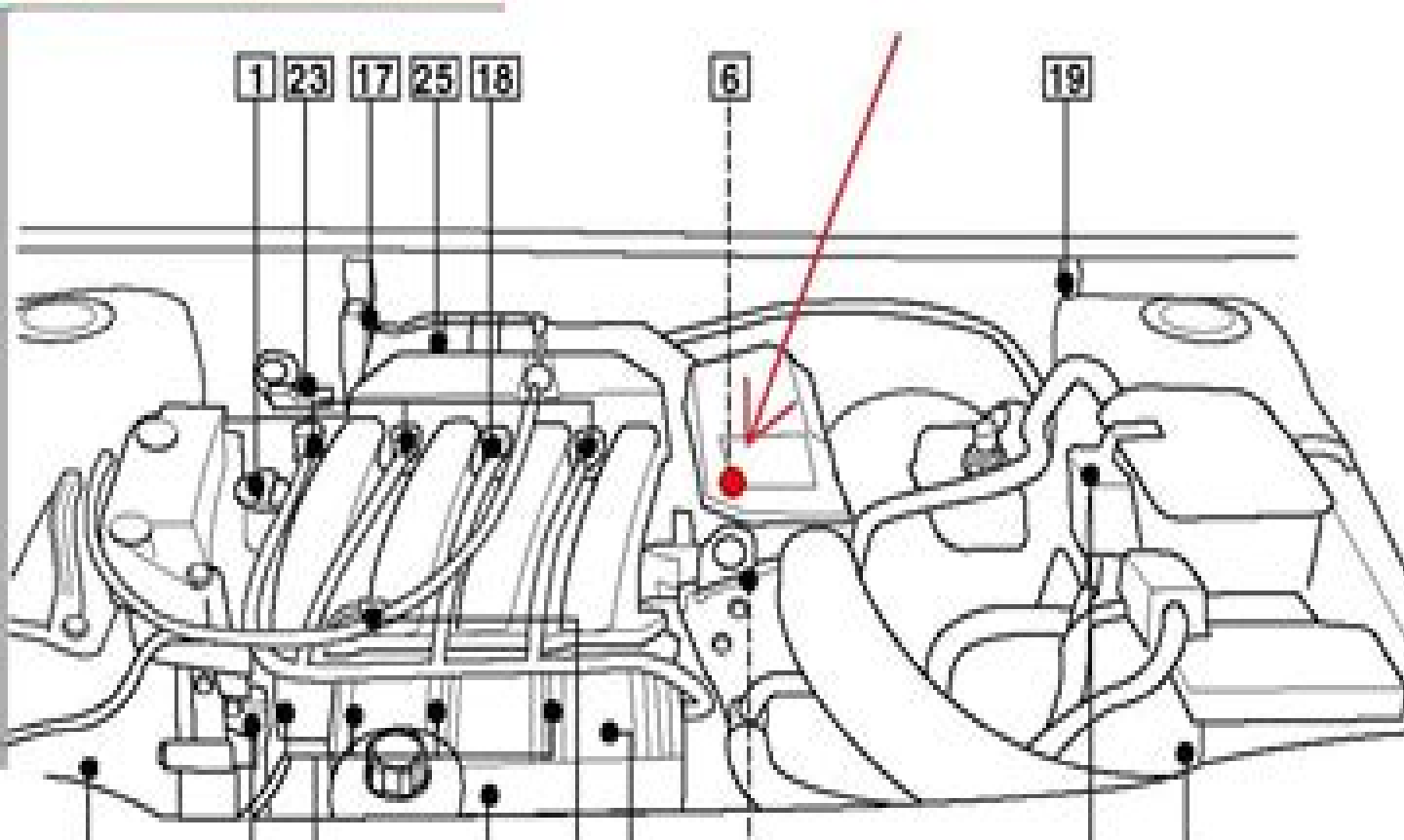


Engine coolant temperature (ECT) sensor



Renault Laguna Engine Diagram

Jicheng Xie



Renault Laguna Engine Diagram

Renault Laguna Service and Repair Manual John S. Mead,2000 Hatchback Estate inc special limited editions Petrol 1 6 litre 1598cc 1 8 litre 1783 1794cc 2 0 litre 1948 1998cc 4 cyl Does NOT cover 3 0 litre V6 or 2 0 litre 16 valve VVT petrol engines Diesel 1 9 litre 1870cc 2 2 Litre 2188cc inc Turbo Does NOT cover 1 9 litre common rail dCi Diesel engine

Renault Laguna Service and Repair Manual Mark Coombs,Steve Rendle,1996

Renault Laguna Petrol and Diesel Service and Repair Manual Peter Gill,2010 The aim of this manual is to help readers get the best from their vehicle It provides information on routine maintenance and servicing and the tasks are described and photographed in a step by step sequence so that even a novice can do the work

Renault Laguna Owners Workshop Manual Peter T. Gill,2006

Renault Laguna Petrol and Diesel Owners Workshop Manual 2001-2005 ,2016-08-17

Renault Laguna Petrol & Diesel Service & Repair Manual Mark Coombs,2000

2001 Renault Laguna II Turbocharger Rebuild and Repair Guide Brian Smothers,2014-12-01 This shop manual covers the proper disassembly inspection rework assembly and installation of the turbocharger including the variable vane system found on the RENAULT LAGUNA II diesel cars Written by an industry professional this book contains full color photos diagrams torque specs and best practices Repairing your vehicle s turbocharger is easy and cost effective if you know how Covers Turbocharger Part Numbers 708639 0003 708639 5003 708639 9003 708639 3 8200110519

2001 RENAULT LAGUNA II Turbocharger Rebuild and Repair Guide Brian Smothers,Pheadra Smothers,2014-11-01 This shop manual covers the proper disassembly inspection rework assembly and installation of the turbocharger including the variable vane system found on the RENAULT LAGUNA II diesel cars Written by an industry professional this book contains full color photos diagrams torque specs and best practices Repairing your vehicle s turbocharger is easy and cost effective if you know how Covers Turbocharger Part Numbers 708639 0002 708639 5002 708639 9002 708639 2 8200110519

2001-2004 Renault Laguna Gt17 Variable Vane Turbocharger Rebuild and Repair Guide Brian Smothers,2014-12-18 This shop manual covers the proper disassembly inspection rework assembly and installation of the turbocharger including the variable vane system found on the Renault Laguna diesel cars Written by an industry professional this book contains full color photos diagrams torque specs and best practices Repairing your vehicle s turbocharger is easy and cost effective if you know how For a complete list of the turbochargers covered in this guide please see <http://www.turborepair.net/laguna1>

2004 Renault Laguna DCI Turbocharger Rebuild and Repair Guide Brian Smothers,2014-12-02 This shop manual covers the proper disassembly inspection rework assembly and installation of the turbocharger including the variable vane system found on the RENAULT LAGUNA dCi diesel cars Written by an industry professional this book contains full color photos diagrams torque specs and best practices Repairing your vehicle s turbocharger is easy and cost effective if you know how Covers Turbocharger Part Numbers 708639 0006 708639 5006 708639 9006 708639 6 8200369581

Renault Laguna Peter T. Gill,2006 Hatchback Sport Tourer Estate Does NOT cover Laguna III model range introduced Oct 2007 Petrol 1 6 litre 1598cc 1 8 litre 1783cc 2 0 litre 1998cc Does NOT cover models with 2 0 litre iDE 2 0 litre turbo or 3 0 litre V6 engines Turbo Diesel 1 9 litre 1870cc 2 0 litre 1995cc 2 2 litre 2188cc

2003 Renault Laguna DCI Turbocharger Rebuild and Repair Guide Brian Smothers,2014-12-01 This shop manual covers the proper disassembly inspection rework assembly and installation of the turbocharger including the variable vane system found on the RENAULT LAGUNA dCi diesel cars Written by an industry professional this book contains full color photos diagrams torque specs and best practices Repairing your vehicle s turbocharger is easy and cost effective if you know how Covers Turbocharger Part Numbers 708639 0005 708639 5005 708639 9005 708639 5 8200332125

Renault Megane Service & Repair Manual A. K. Legg,1997

Motor Industry Management ,1999-02

Autocar ,1995

F&S Index Europe Annual ,1998

Renault 4 Owners Workshop Manual John Harold Haynes,2012-10-01 This title is a DIY workshop manual for Renault 4 owners The book features maintenance and repair procedures for Renault 4 vehicles

Popular Science ,2004-09 Popular Science gives our readers the information and tools to improve their technology and their world The core belief that Popular Science and our readers share The future is going to be better and science and technology are the driving forces that will help make it better

Lola T70 Owner's Workshop Manual Chas Parker,2019-09-24 The Lola T70 was developed in 1965 for sports car racing Lola built the chassis which were typically powered by large American V8 engines predominantly Chevrolets and Fords The T70 was prolific throughout the mid to late 1960s and over 100 examples were built in three versions both open topped and coup models The first successes for the T70 were in the US and in 1966 the T70 dominated the Can Am championship winning five of the six races in the series with John Surtees becoming champion in a Chevrolet powered example In 1968 T70s finished 1 2 in the Daytona 24 Hours and the T70 was highly successful in the domestic UK and European championships winning regularly Today Lola T70s are regular competitors on the historic racing scene and examples are highly sought after by collectors This Lola T70 Owner s Workshop Manual looks at the design evolution anatomy and operation of the T70

Assessment of Fuel Economy Technologies for Light-Duty Vehicles National Research Council, Division on Engineering and Physical Sciences, Board on Energy and Environmental Systems, Committee on the Assessment of Technologies for Improving Light-Duty Vehicle Fuel Economy, 2011-06-03 Various combinations of commercially available technologies could greatly reduce fuel consumption in passenger cars sport utility vehicles minivans and other light duty vehicles without compromising vehicle performance or safety

Assessment of Technologies for Improving Light Duty Vehicle Fuel Economy estimates the potential fuel savings and costs to consumers of available technology combinations for three types of engines spark ignition gasoline compression ignition diesel and hybrid According to its estimates adopting the full combination of improved technologies in medium and large cars and pickup trucks with spark ignition engines could reduce fuel consumption by 29 percent at an additional cost of 2 200 to the consumer Replacing spark ignition engines with diesel engines and components would yield fuel savings of about 37 percent at an added cost of approximately 5 900 per vehicle and replacing spark ignition engines with hybrid engines and components would reduce fuel consumption by 43 percent at an increase of 6 000 per vehicle The book focuses on fuel consumption the amount of fuel consumed in a given driving distance because energy savings are directly related to the amount of fuel used In contrast fuel economy measures how far a vehicle will travel with a gallon of fuel Because fuel consumption data indicate money saved on fuel purchases and reductions in carbon dioxide emissions the book finds that vehicle stickers should provide consumers with fuel consumption data in addition to fuel economy information

The Enigmatic Realm of **Renault Laguna Engine Diagram**: Unleashing the Language is Inner Magic

In a fast-paced digital era where connections and knowledge intertwine, the enigmatic realm of language reveals its inherent magic. Its capacity to stir emotions, ignite contemplation, and catalyze profound transformations is nothing lacking extraordinary. Within the captivating pages of **Renault Laguna Engine Diagram** a literary masterpiece penned by a renowned author, readers attempt a transformative journey, unlocking the secrets and untapped potential embedded within each word. In this evaluation, we shall explore the book's core themes, assess its distinct writing style, and delve into its lasting affect the hearts and minds of people who partake in its reading experience.

https://offsite.creighton.edu/book/virtual-library/Download_PDFS/Hostas_In_Rock_Beds.pdf

https://offsite.creighton.edu/book/virtual-library/Download_PDFS/hot%20stuff%20commercial.pdf

https://offsite.creighton.edu/book/virtual-library/Download_PDFS/how_to_aimpoint_putt.pdf

Table of Contents Renault Laguna Engine Diagram

1. Understanding the eBook Renault Laguna Engine Diagram
 - The Rise of Digital Reading Renault Laguna Engine Diagram
 - Advantages of eBooks Over Traditional Books
2. Identifying Renault Laguna Engine Diagram
 - Exploring Different Genres
 - Considering Fiction vs. Non-Fiction
 - Determining Your Reading Goals
3. Choosing the Right eBook Platform
 - Popular eBook Platforms
 - Features to Look for in an Renault Laguna Engine Diagram
 - User-Friendly Interface
4. Exploring eBook Recommendations from Renault Laguna Engine Diagram
 - Personalized Recommendations
 - Renault Laguna Engine Diagram User Reviews and Ratings
 - Renault Laguna Engine Diagram and Bestseller Lists

5. Accessing Renault Laguna Engine Diagram Free and Paid eBooks
 - Renault Laguna Engine Diagram Public Domain eBooks
 - Renault Laguna Engine Diagram eBook Subscription Services
 - Renault Laguna Engine Diagram Budget-Friendly Options
6. Navigating Renault Laguna Engine Diagram eBook Formats
 - ePub, PDF, MOBI, and More
 - Renault Laguna Engine Diagram Compatibility with Devices
 - Renault Laguna Engine Diagram Enhanced eBook Features
7. Enhancing Your Reading Experience
 - Adjustable Fonts and Text Sizes of Renault Laguna Engine Diagram
 - Highlighting and Note-Taking Renault Laguna Engine Diagram
 - Interactive Elements Renault Laguna Engine Diagram
8. Staying Engaged with Renault Laguna Engine Diagram
 - Joining Online Reading Communities
 - Participating in Virtual Book Clubs
 - Following Authors and Publishers Renault Laguna Engine Diagram
9. Balancing eBooks and Physical Books Renault Laguna Engine Diagram
 - Benefits of a Digital Library
 - Creating a Diverse Reading Collection Renault Laguna Engine Diagram
10. Overcoming Reading Challenges
 - Dealing with Digital Eye Strain
 - Minimizing Distractions
 - Managing Screen Time
11. Cultivating a Reading Routine Renault Laguna Engine Diagram
 - Setting Reading Goals Renault Laguna Engine Diagram
 - Carving Out Dedicated Reading Time
12. Sourcing Reliable Information of Renault Laguna Engine Diagram
 - Fact-Checking eBook Content of Renault Laguna Engine Diagram
 - Distinguishing Credible Sources
13. Promoting Lifelong Learning

- Utilizing eBooks for Skill Development
 - Exploring Educational eBooks
14. Embracing eBook Trends
- Integration of Multimedia Elements
 - Interactive and Gamified eBooks

Renault Laguna Engine Diagram Introduction

In this digital age, the convenience of accessing information at our fingertips has become a necessity. Whether its research papers, eBooks, or user manuals, PDF files have become the preferred format for sharing and reading documents. However, the cost associated with purchasing PDF files can sometimes be a barrier for many individuals and organizations. Thankfully, there are numerous websites and platforms that allow users to download free PDF files legally. In this article, we will explore some of the best platforms to download free PDFs. One of the most popular platforms to download free PDF files is Project Gutenberg. This online library offers over 60,000 free eBooks that are in the public domain. From classic literature to historical documents, Project Gutenberg provides a wide range of PDF files that can be downloaded and enjoyed on various devices. The website is user-friendly and allows users to search for specific titles or browse through different categories. Another reliable platform for downloading Renault Laguna Engine Diagram free PDF files is Open Library. With its vast collection of over 1 million eBooks, Open Library has something for every reader. The website offers a seamless experience by providing options to borrow or download PDF files. Users simply need to create a free account to access this treasure trove of knowledge. Open Library also allows users to contribute by uploading and sharing their own PDF files, making it a collaborative platform for book enthusiasts. For those interested in academic resources, there are websites dedicated to providing free PDFs of research papers and scientific articles. One such website is Academia.edu, which allows researchers and scholars to share their work with a global audience. Users can download PDF files of research papers, theses, and dissertations covering a wide range of subjects. Academia.edu also provides a platform for discussions and networking within the academic community. When it comes to downloading Renault Laguna Engine Diagram free PDF files of magazines, brochures, and catalogs, Issuu is a popular choice. This digital publishing platform hosts a vast collection of publications from around the world. Users can search for specific titles or explore various categories and genres. Issuu offers a seamless reading experience with its user-friendly interface and allows users to download PDF files for offline reading. Apart from dedicated platforms, search engines also play a crucial role in finding free PDF files. Google, for instance, has an advanced search feature that allows users to filter results by file type. By specifying the file type as "PDF," users can find websites that offer free PDF downloads on a specific topic. While downloading Renault Laguna Engine Diagram free PDF files is

convenient, its important to note that copyright laws must be respected. Always ensure that the PDF files you download are legally available for free. Many authors and publishers voluntarily provide free PDF versions of their work, but its essential to be cautious and verify the authenticity of the source before downloading Renault Laguna Engine Diagram. In conclusion, the internet offers numerous platforms and websites that allow users to download free PDF files legally. Whether its classic literature, research papers, or magazines, there is something for everyone. The platforms mentioned in this article, such as Project Gutenberg, Open Library, Academia.edu, and Issuu, provide access to a vast collection of PDF files. However, users should always be cautious and verify the legality of the source before downloading Renault Laguna Engine Diagram any PDF files. With these platforms, the world of PDF downloads is just a click away.

FAQs About Renault Laguna Engine Diagram Books

What is a Renault Laguna Engine Diagram PDF? A PDF (Portable Document Format) is a file format developed by Adobe that preserves the layout and formatting of a document, regardless of the software, hardware, or operating system used to view or print it. **How do I create a Renault Laguna Engine Diagram PDF?** There are several ways to create a PDF: Use software like Adobe Acrobat, Microsoft Word, or Google Docs, which often have built-in PDF creation tools. Print to PDF: Many applications and operating systems have a "Print to PDF" option that allows you to save a document as a PDF file instead of printing it on paper. Online converters: There are various online tools that can convert different file types to PDF. **How do I edit a Renault Laguna Engine Diagram PDF?** Editing a PDF can be done with software like Adobe Acrobat, which allows direct editing of text, images, and other elements within the PDF. Some free tools, like PDFescape or Smallpdf, also offer basic editing capabilities. **How do I convert a Renault Laguna Engine Diagram PDF to another file format?** There are multiple ways to convert a PDF to another format: Use online converters like Smallpdf, Zamzar, or Adobe Acrobats export feature to convert PDFs to formats like Word, Excel, JPEG, etc. Software like Adobe Acrobat, Microsoft Word, or other PDF editors may have options to export or save PDFs in different formats. **How do I password-protect a Renault Laguna Engine Diagram PDF?** Most PDF editing software allows you to add password protection. In Adobe Acrobat, for instance, you can go to "File" -> "Properties" -> "Security" to set a password to restrict access or editing capabilities. Are there any free alternatives to Adobe Acrobat for working with PDFs? Yes, there are many free alternatives for working with PDFs, such as: LibreOffice: Offers PDF editing features. PDFsam: Allows splitting, merging, and editing PDFs. Foxit Reader: Provides basic PDF viewing and editing capabilities. How do I compress a PDF file? You can use online tools like Smallpdf, ILovePDF, or desktop software like Adobe Acrobat to compress PDF files without significant quality loss. Compression reduces the file size, making it easier to share and download. Can I fill out forms in a PDF file? Yes, most PDF viewers/editors like Adobe

Acrobat, Preview (on Mac), or various online tools allow you to fill out forms in PDF files by selecting text fields and entering information. Are there any restrictions when working with PDFs? Some PDFs might have restrictions set by their creator, such as password protection, editing restrictions, or print restrictions. Breaking these restrictions might require specific software or tools, which may or may not be legal depending on the circumstances and local laws.

Find Renault Laguna Engine Diagram :

[hostas in rock beds](#)

hot stuff commercial

how to aimpoint putt

[how many questions are on the california contractors exam](#)

hot rod builders

house on mango street activity packet

hosea in hebrew

[how easy is it to make meth](#)

how to beat autoimmune disease

~~how do i write an authorization letter for payment~~

~~how much to book lil wayne~~

how to become a character concept artist

how are tissues and organs different

hormone building foods dr mindy

~~house of david amusement park~~

Renault Laguna Engine Diagram :

kemija zadaci za 1 razred 2 gimnazije ams istanbul edu - Sep 20 2022

web 4 kemija zadaci za 1 razred 2 gimnazije 2020 07 06 minerals engineering ore enrichment enhancement of processes of extractive metallurgy agriculture industry solubility increase of fertilizers and pharmaceutical industry improvement of solubility and bioavailability of drugs this reference serves as an introduction

kemija 1 zbirka riješenih primjera i zadataka iz kemije za - Dec 24 2022

web najbolje ocjenjeni proizvodi naručite kemija 1 zbirka riješenih primjera i zadataka iz kemije za učenike prvih razreda

gimnazije profil klet d o o po cijeni od 12 00 90 41 kn besplatna dostava iznad 40

kemija za 2 razred sŠ ministarstvo znanosti i obrazovanja - Nov 22 2022

web kemija 2 razred srednje škole rb radnog tjedna naziv teme videolekcije poveznica na videolekciju 1 ponavljanje 2

ponavljanje 3 ponavljanje 4 doseg

hemija za 1 razred gimnazije kupdf - Mar 27 2023

web sep 19 2017 izdavac lzdavaclat iatca tligra za izdavaca nevezta mahmlltovic recenzenti mehmedalija lilic mr dulsa bajramovic pro dr boio banjanin dtp selma kukavica stampa bemus1 sarajevo hemija za 1 razred gimnazije isbn 9958 22 087 3 elp katalogizacija u publikaciji nacionalna i univerzitetska biblioteka bosne i

kemija zadaci za 1 razred 2 gimnazije full pdf esource svb - May 29 2023

web 2 2 kemija zadaci za 1 razred 2 gimnazije 2022 12 11 u gramima dok je veliko m masa koju isčitaš iz periodnog matematika 8 razred artrea trigonometrija pravokutnog trokuta matematika 2 zbirka potpuno korak po korak riješenih zadataka za drugi razred gimnazije za drugi razred svih tehničkih škola za sve ostale

kemija 1 profil klett - Jan 25 2023

web tiskana zbirka zadataka izzi digitalni obrazovni sadržaj metodički materijali udžbenik kemija 1 donosi zanimljive raznovrsne i životne nastavne sadržaje te sadrži sve elemente potrebne za uspješno učenje kemije u gimnaziji

kemija zadaci za 1 razred 2 gimnazije download only - Jul 19 2022

web 4 kemija zadaci za 1 razred 2 gimnazije 2023 09 22 preuzimanje aplikacije domaća zadaća za 8 razred hemija maseni udio povezivanje sabiranja i oduzimanja 1 razred oduzimanje do 20 matematika za i razred osnovne škole skupovi 1 dio infodrom dopolnjen periodni sistem upoznajte nove udžbenike likovne kulture Školske knjige oŠ

kemija 1 e Škole - Jun 29 2023

web 1 tvari kemija nam se često čini vrlo dalekom ipak gotovo sve s čime se susrećemo u svakidašnjem životu na neki je način povezano s kemijom naime sve je oko nas izgrađeno od tvari a zadatak je kemije upravo proučavanje tvari i njihove primjene

kemija zadaci za 1 razred 2 gimnazije ams istanbul edu - Feb 11 2022

web kemija zadaci za 1 razred 2 gimnazije 3 3 by reviewing the most reliable historical methods alongside new methods written by scientists who have actually used these in synthesis by emphasizing tricks and tips to optimize reactions for the best yields and purity which are often missing from the primary literature this book provides another

kemija zadaci za 1 razred 2 gimnazije - Mar 15 2022

web 4 4 kemija zadaci za 1 razred 2 gimnazije 2023 01 21 plasticirane formule matematika fizika kemija novo 05 08 2011 za sve one koji ove školske godine kreću u 1 razred

[kemija 2 e Škole - Aug 20 2022](#)

web digitalni obrazovni sadržaj za drugi razred gimnazije za predmet kemiju snježana liber moći ću razlikovati i objasniti unutarnju energiju toplinu entalpiju reakcijsku entalpiju izračunavati promjenu reakcijske entalpije kod jednostavnih primjera skicirati pv dijagram za idealne plinove

[kemija za 1 razred pdf scribd - Sep 01 2023](#)

web proces korozije se može prikazati $1/2 O_2 + H_2O + 2 e^- + 2 OH^-$ Fe²⁺ Fe³⁺ e objašnjenje zbog veće koncentracije kisika O_2 zbiva se redukcija kisika na katodi dok se željezo Fe oksidira to jest korodira na anodi tako isto se i ispod površine vode zbiva oksidacija željeza

[univerzalna zbirka potpuno riješenih zadataka - Jun 17 2022](#)

web potpuno riješenih zadataka priručnik za samostalno u cijena kompletne zbirke kemija 7 za sedmi razred osnovne škole je 250 kn sa popustom od 40 150 kn sve dodatne informacije i narudžbe na 01 4578 431 ili 098 237 534 ili na mail mim sraga zg htinet hr

[kemija 1 zbirka zadataka iz kemije u prvom razredu gimnazija - Oct 02 2023](#)

web ilda planinić renata ruić funcić lana Šarić kemija 1 zbirka zadataka iz kemije u prvom razredu gimnazija

[kemija 1 zbirka zadataka iz kemije za prvi razred gimnazije - Oct 22 2022](#)

web dostupnost raspoloživo za narudžbu kemija 1 zbirka zadataka iz kemije za prvi razred gimnazije kristina kristek silvija krnić alfa besplatna dostava u vašu vacom trgovinu 10 50 79 11 kn dodaj u košaricu opis dostupnost specifikacija recenzije ii gimnazija pdf file zbirka zadataka iz kemije za prvi razred - Feb 23 2023

web 4484 kemija 1 zbirka zadataka iz kemije za prvi razred gimnazije gordana pavlović zbirka zadataka 60 00 alfa novo 1 razred srednje škole 4483 kemija 1 udžbenik iz kemije za prvi razred gimnazije zora popović ljljlana kovačević udžbenik 106 00 alfa novo 1 razred srednje škole 3950

[kemija zadaci za 1 razred 2 gimnazije full pdf - Jul 31 2023](#)

web kemija zadaci za 1 razred 2 gimnazije downloaded from feedback fxsound com by guest malaki daisy kemija zadaci za 1 razred kemija zadaci za 1 razred save save kemija za 1 razred for later 48k views 5 up votes mark as useful 3 down votes mark as not useful kemija za 1 razred uploaded by d fbuser 33401098 description kemija

[kemija zadaci za 1 razred 2 gimnazije 2022 - May 17 2022](#)

web 2 2 kemija zadaci za 1 razred 2 gimnazije 2023 03 09 kemija zadaci za 1 razred 2 gimnazije downloaded from ecobankpayservices ecobank com by guest sanaa cantrell kemija zadaci za 1 razred save save kemija za 1 razred for later 48k views 5 up votes mark as useful 3 down votes mark as not useful kemija za 1

[kemija zadaci za 1 razred 2 gimnazije copy esource svb - Apr 15 2022](#)

web kemija 1 zbirka zadataka iz kemije za prvi razred gimnazije ozvizija d o o hrvatska akademska i istraživačka mreža carnet donira prostor na poslužitelju za udomljavanje ovih sadržaja instrukcije iz matematike 1 razred opće gimnazije instrukcije iz matematike 1 razred opće gimnazije skupovi

[repetitorij zadataka za ponavljanje gradiva gimnazija i](#) - Apr 27 2023

web zadaci za pripremu provjere znanja imate li problema s rješavanje ili pitanje pišite na mail osmislili izradili i postavili robert gortan i vesna vujasin ilić repetitorij zadataka za ponavljanje gradiva sastavljeni su po polugodištima određenih razreda 1 razred 1r 1polugodiste 1r 2polugodiste 2 razred 2r 1polugodiste 2r

conte les babouches d abou kassem babzman - Jul 13 2023

web jul 3 2019 dans l ancienne cité de bagdad vivait un très riche marchand terriblement avare qui s appelait abou kassem il était connu de partout à cause de ses misérables babouches toutes poussiéreuses rapiécées garnies de

1001 nuits nn les babouches d abou kassem youtube - Jul 01 2022

web récit des babouches d abu kassem par les élèves de cm2 quinzième et dernière histoire de notre série sur les 1001 nuits lu écrit et illustré par les élèves

les babouches d abou kassem cultura - Sep 03 2022

web les babouches d abou kassem par myriame el yamani adeline lamarre aux éditions Éditions de l isatis À bagdad vivait autrefois un riche marchand terriblement avare il était connu dans toute la ville à cause de ses misérables babouches un jour abou décida d

les babouches d abou kassem myriame el yamani - Sep 15 2023

web fier comme un rat d égout avec sa djellaba toute trouée il entra dans le plus bel établissement de bains de la ville il enleva ses loques au vestiaire commun aligna ses ignobles babouches à côté de celles des autres clients et

[les babouches d abou kassem isabelle massoudy babelio](#) - Aug 14 2023

web 13 février 2015 j ai lu ce conte oriental en petits contes du tapis repéré parce qu illustré par antoine guilloppé si vous voulez savoir comment des babouches immondes devinrent les plus célèbres du monde suivez l aventure d abou kassem riche et

[les babouches d abou kassem conte des mille et une nuits](#) - Mar 09 2023

web sep 15 2009 les babouches d abou kassem conte des mille et une nuits album myriame el yamani adeline lamarre illustrateur note moyenne donner le premier avis dans l ancienne cité de bagdad vivait un riche marchand affreusement avare qui s appelait abou kassem il était connu de partout à cause de ses lire la suite 14 50

les babouches d abou kassem lecture et partage - Jun 12 2023

web conte il était une fois en orient un riche marchand abou kassem avare il portait les même babouches depuis que ses

pieds avaient cessé de grandir rapiécées et rafistolées de toute part on les recon naissait à mille lieux et pour se moquer de quelqu'un on disait têtes de babouches d abou kassem

les babouches d abou kassem mdo oise fr - Apr 29 2022

web les babouches d abou kassem ou les babouches les plus célèbres du monde abou kassem est un médiathèque départementale de l oise mdo toutes les informations et les recherches sur le fonds documentaires visualiser vos informations d adhésion les babouches d abou kassem accéder au menu principal accéder au contenu accéder à

calaméo les babouches d abou kassem - Jan 27 2022

web les babouches volèrent donc par la fenêtre dans l autre sens et vinrent tomber sur la table d abou kassem réduisant à néant les fragiles fioles et les espoirs de fortune d abou kassem l homme s arracha la barbe maudissant l infortune son dieu et ses babouches

les babouches d abou kassem conte des mille et une nuits - May 11 2023

web may 26 2022 un conte des mille et une nuits dont le suspense va crescendo entraînant les lecteurs dans une succession de malheurs narrés avec vivacité et humour dans une langue soignée mais proche de la tradition orale

notice bibliographique les babouches d abou kassem antoine - Oct 04 2022

web résumé abou kassem était un marchand célèbre pour son avarice bien que richissime il portait les mêmes babouches puantes et rapiécées de toutes parts depuis que ses pieds avaient fini de grandir un jour il se rend au hammam et dépose ses babouches à l entrée en sortant il trouve de magnifiques babouches à la place de sa paire et les prend

les babouches d abou kassem fousdelire - Aug 02 2022

web deux fois hélas le voisin d abou kassem l avait vu creuser l énorme trou au fond de son jardin connaissant bien le vieux grippe sou il se dit qu abou kassem y avait caché un trésor de pièces d or et d argent or dans ce pays là la coutume voulait que l on donne au calife la moitié de son trésor en guise d impôt

les babouches d abou kassem les notes - May 31 2022

web abou kassem le riche marchand oriental est célèbre pour son avarice et ses babouches puantes toutes rapiécées mais celles ci commencent à lui attirer de gros ennuis et c est impossible de s en débarrasser il finit par supplier le sultan lui même de les garder car marcher pieds nus c est moins cher

les babouches d abou kassem overdrive - Dec 06 2022

web may 10 2011 À bagdad vivait autrefois un riche marchand terriblement avare il était connu dans toute la ville à cause de ses misérables babouches un jour abou décida de s offrir un bain au hamman lorsqu il retourna au vestiaire ses babouches avaient di

un conte africain illustré les babouches d abou kacem algérie - Mar 29 2022

web aux pieds d abou kacem on découvre les babouches du juge le pauvre bougre avait cru qu on lui avait fait un cadeau il s était trompé de savates mais pour le juge l affaire est claire abou kacem est coupable de vol il le condamne à payer une amende colossale

[les babouches d abou kassem french edition goodreads](#) - Feb 08 2023

web feb 19 2007 nouvelle collection les petits contes du tapis cette nouvelle collection revisite le kamis les babouches d abou kassem french edition by nora aceval goodreads home

les babouches d abou kassem broché nora aceval antoine - Apr 10 2023

web jan 18 2007 un conte des mille et une nuits raconté par nora aceval illustré par antoine guilloppé il y avait en orient un marchand célèbre pour son avarice abou kassem bien que richissime il portait les mêmes babouches

[les babouches d abou kassem conte des mille et une nuits](#) - Feb 25 2022

web mar 1 2009 résumé a bagdad vivait autrefois un riche marchand terriblement avare il était connu dans toute la ville à cause de ses misérables babouches un jour abou décida de s offrir un bain au hamman lorsqu il retourna au vestiaire ses babouches avaient disparu le début de la fin pour abou kassem

les babouches d abou kassem book by myriame el yamani epic - Jan 07 2023

web À bagdad vivait autrefois un riche marchand terriblement avare un jour il décida de s offrir un bain au hamman et ses misérables babouches disparurent abou kassem is a terribly stingy merchant living in bagdad and known around town because of his miserable slippers one day they disappear

les babouches d abou kassem extrait des contes des mille et une - Nov 05 2022

web 79 subscribers 1k views 3 years ago 6 ans et dans l ancienne cité de bagdad vivait un très riche marchand terriblement avare qui s appelait abou kassem try youtube kids learn more

[it came from ohio my life as a writer goosebumps](#) - Feb 28 2022

web apr 28 2015 it came from ohio my life as a writer goosebumps kindle edition by stine r l download it once and read it on your kindle device pc phones or tablets use features like bookmarks note taking and highlighting while reading it came from ohio my life as a writer goosebumps

it came from ohio goosebumps wiki fandom - Oct 19 2023

web it came from ohio is the autobiography of r l stine about how he came to be a writer it talks about his childhood his life in college his early jobs his wife and how he came up with the ideas for fear street and goosebumps

[it came from ohio my life as a writer book 2015 worldcat org](#) - Feb 11 2023

web it came from ohio my life as a writer r l stine joe arthur susan lurie a portrait of the author of the goosebumps series shares insight into his childhood education and literary inspirations with answers to frequently asked questions about his life

books and

it came from ohio my life as a writer goosebumps open - Jan 10 2023

web apr 28 2015 it came from ohio my life as a writer goosebumps by r l stine 3 50 2 ratings 18 want to read 1 currently reading 4 have read

it came from ohio my life as a writer goosebumps - Aug 17 2023

web a portrait of the author of the goosebumps series telling readers what r l stine was lik it came from ohio my life as a writer goosebumps by r l stine goodreads

it came from ohio my life as a writer r l stine - Aug 05 2022

web apr 28 2015 autobiography published 04 28 2015 0 pages 177 it came from ohio my life as a writer the autobiography of rl stine has he had a horrifying life was rl stine a scary kid did he have a weird family did his friends at school think he was strange why does he like to terrify his readers

it came from ohio my life as a writer goosebumps - May 02 2022

web abebooks com it came from ohio my life as a writer goosebumps 9780545828901 by stine r l and a great selection of similar new used and collectible books available now at great prices

it came from ohio my life as a writer goosebumps - Sep 06 2022

web apr 1 1998 buy it came from ohio my life as a writer goosebumps reprint by stine r l arthur joe isbn 9780590939447 from amazon s book store everyday low prices and free delivery on eligible orders it came from ohio my life as a writer goosebumps amazon co uk stine r l arthur joe 9780590939447 books

it came from ohio my life as a writer goosebumps - Apr 01 2022

web apr 28 2015 my life as a writer goosebumps it came from ohio my life as a writer goosebumps my life as a writer goosebumps in format pdf it came from ohio my life as a writer goosebumps download free of book in format it came from ohio my life as a writer goosebumps pdf it came from ohio

it came from ohio my life as a writer goosebumps - Apr 13 2023

web apr 28 2015 joe arthur it came from ohio my life as a writer goosebumps kindle edition by r l stine author format kindle edition 4 7 234 ratings part of goosebumps 64 books see all formats and editions kindle edition 2 99 read with our free app library binding 162 99 1 new from 162 99

it came from ohio my life as a writer by r l stine goodreads - Oct 07 2022

web 4 07 rating details 596 ratings 102 reviews as page turning as the mega bestsellers he creates each month r l stine s life story tells kids everything they ever wanted to know about his life and where he gets all his scary ideas line drawings and b w photos more

it came from ohio my life as a writer barnes noble - Mar 12 2023

web apr 28 2015 the autobiography of rl stine creator of the goosebumps series now a motion picture in theaters october 16 2015 has he had a horrifying life was rl stine a scary kid did he have a weird family did his friends at school think he was strange why does he like to terrify his readers where does he get the

it came from ohio my life as a writer goosebumps - Jul 04 2022

web amazon in buy it came from ohio my life as a writer goosebumps book online at best prices in india on amazon in read it came from ohio my life as a writer goosebumps book reviews author details and more at amazon in free delivery on qualified orders

it came from ohio my life as a writer goosebumps - Jun 15 2023

web so reader beware you re in for a scare a humorous fast paced portrait of the author of the goosebumps series tells young readers what r l stine was like as a kid how he became a writer and where he gets his ideas from read more reading age 8 12 years

it came from ohio my life as a writer goosebumps - Sep 18 2023

web apr 28 2015 my life as a writer goosebumps stine r l 9780545828901 amazon com books free delivery thursday august 17 on orders shipped by amazon over 25 order within 3 hrs 55 mins access codes and supplements are not guaranteed with used items

it came from ohio my life as a writer goosebumps - Nov 08 2022

web follow the authors r l stine joe arthur it came from ohio my life as a writer goosebumps kindle edition by r l stine author format kindle edition 4 7 232 ratings part of goosebumps 64 books see all formats and editions

it came from ohio my life as a writer google books - May 14 2023

web with a fresh new look goosebumps is set to scare a whole new generation of kids so reader beware you re in for a scare a humorous fast paced portrait of the author of the goosebumps series tells young readers what r l stine was like as a kid how he became a writer and where he gets his ideas from sign in

it came from ohio by r l stine open library - Jun 03 2022

web it came from ohio my life as a writer goosebumps by r l stine 3 50 2 ratings 19 want to read 1 currently reading 4 have read

it came from ohio my life as a writer apple books - Dec 09 2022

web apr 1 1998 revised and updated the autobiography of the master of fright rl stine the autobiography of rl stine creator of the goosebumps series now a motion picture in theaters october 16 2015 has he had a horrifying life was rl stine a scary kid did he have a weird family did his friends at school th

it came from ohio my life as a writer goosebumps - Jul 16 2023

web a humorous fast paced portrait of the author of the goosebumps series tells young readers what r l stine was like as a kid how he became a writer and where he gets his ideas from read more reading age 8 12 years print length 176