

© Partzila.com

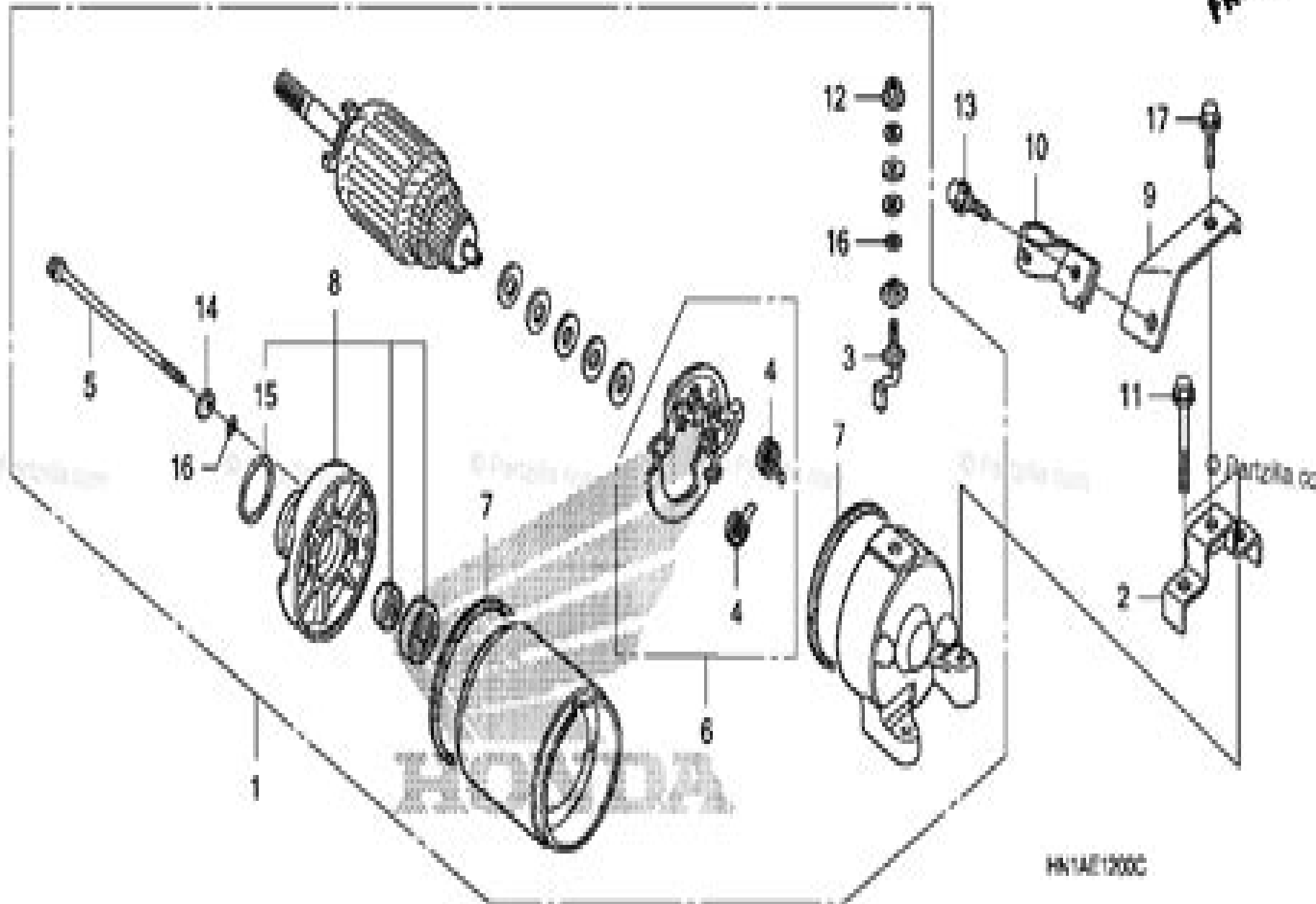
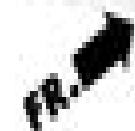
© Partzila.com

© Partzila.com

© Partzila.com

© Partzila.com

© Partzila.com



HN1AE1300C

# 04 Honda 400ex Engine Diagram

**Penton Staff**



## 04 Honda 400ex Engine Diagram

WALNECK'S CLASSIC CYCLE TRADER, OCTOBER 2004 Causey Enterprises, LLC, *Vehicle Engine Design* Kevin Hoag, 2007-02-05 The mechanical engineering curriculum in most universities includes at least one elective course on the subject of reciprocating piston engines The majority of these courses today emphasize the application of thermodynamics to engine efficiency performance combustion and emissions There are several very good textbooks that support education in these aspects of engine development However in most companies engaged in engine development there are far more engineers working in the areas of design and mechanical development University studies should include opportunities that prepare engineers desiring to work in these aspects of engine development as well My colleagues and I have undertaken the development of a series of graduate courses in engine design and mechanical development In doing so it becomes quickly apparent that no suitable text book exists in support of such courses This book was written in the hopes of beginning to address the need for an engineering based introductory text in engine design and mechanical development It is of necessity an overview Its focus is limited to reciprocating piston internal combustion engines both diesel and spark ignition engines Emphasis is specifically on automobile engines although much of the discussion applies to larger and smaller engines as well A further intent of this book is to provide a concise reference volume on engine design and mechanical development processes for engineers serving the engine industry It is intended to provide basic information and most of the chapters include recent references to guide more in depth study Motorcycle Workshop Practice Techbook John Haynes, 2016-10-03 Haynes has discovered all the problems that motorcycle owners could possibly encounter when rebuilding or repairing their bikes Documenting the most common DIY fixes with hundreds of illustrations and step by step instructions this compendium of repair modification and troubleshooting advice is applicable to all domestic and import marques Farm Quad Samantha Bell, 2016-08-01 This Level 1 guided reader explores the parts and uses of farm quads Students will develop word recognition and reading skills while learning about what happens on a farm *Honda TRX400EX Fourtrax/Sportrax and TRX400X* 1999-2014 Penton Staff, 2016-11-15 Clymer ATV repair manuals are written specifically for the do it yourself enthusiast From basic maintenance to troubleshooting to complete overhaul Clymer manuals provide the information you need The most important tool in your tool box may be your Clymer manual get one today Covers TRX400EX Fourtrax 1999 2000 TRX400EX Sportrax 2001 2014 *Captain Phil Harris* Josh Harris, Jake Harris, Blake Chavez, Steve Springer, 2014-04-15 Presents a portrait of the late star of Discovery Channel's *Deadliest Catch* revealing his high risk private life of tempestuous affairs drug fueled parties and motorcycle riding as well as his virtues as a devoted friend loving father and steadfast captain

**Creating Mr. Kortan** Urban Monk, 2020-03-22 More than a memoir of a custom cafe racer build this book is a tribute to a teacher who inspired young people to be creative with their minds and capable with their hands Growing up in Fargo North

Dakota in the 1970s and 80s The Urban Monk had the opportunity to develop a love for machines metal working and motorcycles This book provides a glimpse into what life was like for the author and his young friends in Fargo during that time It is also a poignant defense of industrial arts education in public schools After an over three year effort building a custom cafe racer in his spare time and documenting the entire process in videos shared with the world on his YouTube channel Urban Monk TV the author tells the story of how this project became more than a custom motorcycle build it became a tribute to his middle school Metal Shop teacher who inspired him to go on to a life time of peaceful meditation in his garage with a wrench in his hand Anyone interested in motorcycles mechanics do it yourself projects or a historical retrospective of life in 70s 80s Fargo will enjoy this pleasant read **Colin Seeley** Colin Seeley,2006 This is the first volume of the two volume autobiography of Colin Seeley a famed British motorcycle racer and builder The book is full of anecdotes escapades personalities and memorable descriptions on and off the track which give a fantastic insight into the racing and technical achievements over three great decades in motorcycling history [The Perfect Vehicle: What It Is About Motorcycles](#) Melissa Holbrook Pierson,2011-01-12 This book a polished winding meditation on the theory and fractiousness of motorcycles celebrates both their eccentric history and the wary pleasures of touring The New Yorker In a book that is a must for anyone who has loved a motorcycle Oliver Sacks Melissa Pierson captures in vivid writerly prose the mysterious attractions of motorcycling She sifts through myth and hyperbole misrepresentations about danger about the type of people who ride and why they do so The Perfect Vehicle is not a mere recitation of facts nor is it a polemic or apologia Its vivid historical accounts the beginnings of the machine the often hidden tradition of women who ride the tale of the defiant ones who taunt death on the racetrack are intertwined with Pierson s own story which in itself shows that although you may think you know what kind of person rides a motorcycle you probably don t [Honda XR400R 1996-2004](#) Penton Staff,2000-05-24 XR400R 1996 2004 *Polaris Sportsman 600, 700, & 800 Series 2002-2010* Penton Staff,2000-05-24 Sportsman 600 2003 2005 Sportsman 700 2002 2006 Sportsman 700 EFI 2004 2007 Sportsman 700 EFI X2 2008 Sportsman MV7 2005 2006 Sportsman 800 EFI 2005 2010 Sportsman 800 EFI X2 2007 2009 Sportsman 800 EFI Touring 2008 2009 **Yamaha YFZ450 & YFZ450R 2004-2017** Haynes Publishing,2018-05-01 Each Clymer manual provides specific and detailed instructions for performing everything from basic maintenance and troubleshooting to a complete overhaul of the machine This manual covers the Yamaha YFZ450 and YFZ450R built from 2004 to 2017 Do it yourselfers will find this service and repair manual more comprehensive than the factory manual making it an indispensable part of their tool box *Consumers Index to Product Evaluations and Information Sources* ,2003 **Clymer Honda TRX400EX Fourtrax and Sportrax, 1999-2007** Clymer Publications,2008 [Honda TRX300EX & TRX400X/EX and TRX450R/ER ATVs 1993 thru 2014](#) Editors of Haynes Manuals,2015-06-15 Complete coverage for your Honda TRX300EX 1993 2014 TRX400EX 1999 2014 TRX400X 2009 2014 TRX450R 2004 2014 and TRX450ER 2006 2014 Routine Maintenance Tune up procedures Engine clutch and transmission

repair Cooling system Fuel and exhaust Ignition and electrical systems Brakes wheels and tires Steering suspension and final drive Frame and bodywork Wiring diagrams With a Haynes manual you can do it yourself from simple maintenance to basic repairs Haynes writes every book based on a complete teardown of the ATV We learn the best ways to do a job and that makes it quicker easier and cheaper for you Our books have clear instructions and hundreds of photographs that show each step Whether you re a beginner or a pro you can save big with Haynes Step by step procedures Easy to follow photos Comprehensive routine maintenance and fault diagnosis sections Detailed wiring diagrams Color spark plug diagnosis

[essential orthopaedics and trauma david j dandy dennis j](#) - Aug 23 2023

web david j dandy dennis j edwards churchill livingstone 2009 medical 490 pages new edition of a classic textbook on orthopaedics and trauma for medical students and junior doctors now

*essential orthopaedics and trauma amazon co uk* - Sep 12 2022

web apr 24 2003 only 1 left in stock an undergraduate textbook of orthopaedics and trauma this popular title concentrates on the commoner conditions and has been brought fully updated for this new edition high quality radiographs and two colour line diagrams support the lucid text isbn 10

*essential orthopaedics and trauma with student consult* - Apr 07 2022

web the 4th edition of this user friendly text presents a concise introduction to general orthopaedics and orthopaedic trauma for all anatomic regions in both adults and children for each injury or disorder the authors review anatomy presentation diagnosis clinical features treatment and where appropriate complications

[essential orthopaedics and trauma with student consult online](#) - Mar 18 2023

web may 14 2009 david j dandy essential orthopaedics and trauma with student consult online access 5th edition by david j dandy md ma mchir frcs author dennis j edwards mbchb frcs orth author 4 5 19 ratings see all formats and editions paperback 13 89 5 used from 13 89

*essential orthopaedics and trauma dandy david j free* - Jul 22 2023

web essential orthopaedics and trauma essential orthopaedics and trauma presents the essential core of information required by students and emphasises common conditions and current orthopaedic practice revised and updated for this edition it combines lucid and readable text with clear line diagrams and a superb collection of radiographs and

*essential orthopaedics and trauma with student consult* - Dec 15 2022

web mar 25 2009 buy essential orthopaedics and trauma with student consult online access 5e 5 by dandy md ma mchir frcs david j edwards mbchb frcs orth dennis j isbn 9780443067181 from amazon s book store everyday low prices and free delivery on eligible orders

**essential orthopaedics and trauma e book david j dandy** - May 20 2023

web mar 1 2009 essential orthopaedics and trauma e book student consult title authors david j dandy dennis j edwards  
edition 5 publisher elsevier health sciences 2009 isbn 0702042099

*pdf essential orthopaedics and trauma with student* - Aug 11 2022

web eliza georgopoulos 2009 5th edition the 5th edition of this user friendly text presents a concise introduction to general orthopaedics and orthopaedic trauma for all anatomic regions in both adults and children

**essential orthopaedics and trauma taylor francis online** - Feb 17 2023

web essential orthopaedics and trauma by david j dandy and dennis j edwards new york churchill livingstone april 2003 isbn 044072132  
this textbook provides an overview of non surgical and surgic

**essential orthopaedics and trauma david j dandy dennis j** - Oct 13 2022

web david j dandy dennis j edwards churchill livingstone 1998 orthopedic emergencies 475 pages extensively illustrated with high quality radiographs and line diagrams this undergraduate

[essential orthopedics and trauma amazon com](#) - Feb 05 2022

web jan 1 1993 essential orthopaedics and trauma with student consult online access 13 89 19 only 1 left in stock order soon a succinct and authoritative introduction to general orthopaedics and trauma for students and others involved in the care of the orthopaedic patient

**essential orthopaedics and trauma david j dandy dennis j** - Jul 10 2022

web essential orthopaedics and trauma authors david j dandy dennis j edwards edition 4 illustrated publisher churchill livingstone 2003 original from the university of michigan digitized aug 13 2008 isbn 0443072140 9780443072147 length 459 pages export citation bibtex endnote refman

**essential orthopaedics and trauma by david j dandy open** - Nov 14 2022

web jan 2 2023 orthopaedic anatomy basic science in orthopaedics investigations methods of treatment the principles of managing trauma immediate care and major

**essential orthopaedics and trauma dandy david j free** - Jun 21 2023

web english 475 pages includes index background knowledge introduction history and clinical examination orthopaedic anatomy basic science in orthopaedics investigations methods of treatment trauma principles of managing trauma immediate care and major incidents methods of managing trauma injuries to the

**essential orthopaedics and trauma dandy david j free** - Mar 06 2022

web essential orthopaedics and trauma by dandy david j publication date 2009 topics orthopedics wounds and injuries surgery orthopedic procedures wounds and injuries surgery publisher edinburgh new york churchill livingstone

essential orthopaedics and trauma 1st edition elsevier - Jun 09 2022

web sep 30 2013 essential orthopaedics and trauma 1st edition september 30 2013 authors david j dandy sc goel paperback isbn 9788131234648

**essential orthopaedics and trauma dandy david j free** - Sep 24 2023

web essential orthopaedics and trauma presents the essential core of information required by students and emphasises common conditions and current orthopaedic practice revised and updated for this edition it combines lucid and readable text with clear line diagrams and a superb collection of radiographs and clinical photos

**essential orthopaedics and trauma book 2009 worldcat org** - Jan 16 2023

web get this from a library essential orthopaedics and trauma david j dandy dennis j edwards extensively illustrated with high quality radiographs and line diagrams this undergraduate orthopaedics and trauma textbook has been fully updated for

**david j dandy dennis j edwards essential orthopaedics and trauma** - Apr 19 2023

web jun 12 2003 the book contains three parts background knowledge 84 pages trauma 190 pages and orthopaedics 160 pages it also contains a glossary it is well written and very easy to read it is equally well illustrated with an abundant number of drawings clinical photos and radiographs

essential orthopaedics and trauma by david j dandy open - May 08 2022

web apr 10 2023 essential orthopaedics and trauma by david j dandy 1993 churchill livingstone edition in english

look i m an engineer dk learning - Oct 10 2022

aug 5 2018 about look i m an engineer this playful preschool activity book for kids will unleash your child s curiosity and creativity as they play their way through 15 super fun stem projects every project features bright photography and charming illustrations which support the easy to follow instructions

**look i m an engineer look i m learning ciltli kapak** - Apr 16 2023

arama yapmak istediğiniz kategoriye seçin

look i m an engineer dk look i m learning sciarium - Jul 07 2022

oct 9 2019 perfect for kids ages 3 6 this early learning children s book will excite little ones by revealing the everyday ways they can be an engineer children are born with everything they need to be great engineers inquisitive minds unlimited imagination and super senses

**look i m an engineer dk learning** - Jun 06 2022

levels levels early years and reception eyps year 1 ks1 year 2 ks1 year 3 ks2

**look i m an engineer look i m learning dk amazon in books** - Jun 18 2023

i m learning series of exciting and educational stem books focuses on the sensory experience of practical learning and play

and finds the science in everyday activities hands on learning experiences tap straight into kids insatiable curiosity and sense of wonder

**look i m an engineer by dk 9781465468574 penguin random** - Mar 15 2023

this playful preschool activity ebook for kids will unleash your child s curiosity and creativity as they play their way through 15 super fun stem projects every project features bright photography and charming illustrations which support the easy to follow instructions

**look i m an engineer look i m learning hardcover** - Aug 20 2023

buy look i m an engineer look i m learning by dk isbn 9780241313886 from amazon s book store everyday low prices and free delivery on eligible orders

*ingilizce mühendislik okumak uludağ sözlük* - Jan 01 2022

aug 6 2011 ingilizce mühendislik okumak zaten mühendislik başa bela bide bunu ingilizceyle yaparsanız wtf Şimde efemim güzel ülkemizde zaten adam gibi ingilizce konuşan az varken bide ingilizce konuşabilen türk mühendis bulmak çölde kutup ayısı aramak gibi bise yanlış anlamayın hocalara ayı falan demiyorum

**look i m learning penguin random house** - Jul 19 2023

look i m learning series 5 titles sort by look i m an ecologist look i m a mathematician look i m an engineer look i m a cook look i m a scientist share share on facebook tweet pin it share on tumblr sms email other series you might like find other titles in

look i m an engineer a book by dk bookshop - Nov 11 2022

prepare to have all the fun dk s look i m learning series of exciting and educational stem books focus on the sensory experience of practical learning and play and finds the science in everyday activities hands on learning experiences tap straight into kids insatiable curiosity and sense of wonder

**look i m an engineer activity sheet dk uk** - Apr 04 2022

look i m an engineer activity sheet age 3 6 key stage ks1 themes stem science maths technology engineering this playful preschool activity book will unleash a student s curiosity and creativity as they play their way through amazing stem projects

*look i m an engineer look i m learning hardcover* - May 17 2023

i m learning series of exciting and educational stem books focus on the sensory experience of practical learning and play and finds the science in everyday activities hands on learning experiences tap straight into kids insatiable curiosity and sense of wonder

**look i m an engineer dk cn** - May 05 2022

aug 2 2018 dk s look i m learning series of exciting and educational stem books focuses on the sensory experience of



practical learning and play and finds the science in everyday activities hands on learning experiences tap straight  
[look i m an engineer overdrive](#) - Aug 08 2022

aug 7 2018 dk s look i m learning series of exciting and educational stem books focus on the sensory experience of practical learning and play and finds the science in everyday activities hands on learning experiences tap straight into kids insatiable curiosity and sense of wonder

[look i m an engineer dk uk](#) - Mar 03 2022

aug 2 2018 about look i m an engineer this playful preschool activity book for kids will unleash your child s curiosity and creativity as they play their way through 15 super fun stem projects every project features bright photography and charming illustrations which support the easy to follow instructions perfect for ages 3 6 this children s book

*look i m an engineer look i m learning abebooks* - Dec 12 2022

abebooks com look i m an engineer look i m learning 9781465468574 by dk and a great selection of similar new used and collectible books available now at great prices

**look i m an engineer fahasa com** - Nov 30 2021

look i m an engineer this playful preschool activity book will unleash your child s curiosity and creativity as they play their way through amazing stem projects perfect for kids ages 3 6 this early learning children s book will excite little ones by revealing the everyday ways they can

**look i m an engineer look i m learning amazon com** - Sep 21 2023

aug 7 2018 i m learning series of exciting and educational stem books focus on the sensory experience of practical learning and play and finds the science in everyday activities hands on learning experiences tap straight into kids insatiable curiosity and sense of wonder

**look i m an engineer overdrive** - Feb 02 2022

perfect for kids ages 3 6 this early learning children s book will excite little ones by revealing the everyday ways they can be an engineer children are born with everything they need to be great engineers inquisitive minds unlimited imagination and super senses

**look i m an engineer by dk amazon ae** - Feb 14 2023

look i m an engineer hardcover illustrated 7 august 2018 by dk author 4 8 4 8 out of 5 stars 134 ratings see all formats and editions dk s look i m learning series of exciting and educational stem books focus on the sensory experience of practical learning and play and finds the science in everyday activities hands on learning

*look i m an engineer look i m learning kindle edition* - Jan 13 2023

look i m an engineer look i m learning ebook dk amazon co uk kindle store

**look i m an engineer look i m learning kindle edition** - Sep 09 2022

aug 7 2018 look i m an engineer look i m learning kindle edition by dk download it once and read it on your kindle device pc phones or tablets use features like bookmarks note taking and highlighting while reading look i m an engineer look i m learning

nsmq2023 quarter final stage nsmq2023 - Oct 30 2021

nsmq2023 quarter final stage st john s school vs osei tutu shs vs opoku ware school

lehrbuch der anorganischen chemie de gruyter - Jul 15 2023

web jul 14 2008 about this book this textbook for inorganic chemistry conveys information both on basic principles and on substances in inorganic and metallo organic chemistry in its 102nd edition a new work has arisen following extensive redesign of its predecessor and this is intended to assist in preparation for exams and to serve as a reference work

*lehrbuch der anorganischen chemie google books* - Oct 06 2022

web auflage inhalt einleitung teil a grundlagen der chemie der wasserstoff kapitel i element und verbindung kapitel ii atom und molekül kapitel iii das periodensystem der

*kurzes lehrbuch der anorganischen und allgemeinen chemie* - Jul 03 2022

web zwar hatte man bereits im altertum eine reihe von beobachtungen gemacht und erkenntnisse gesammelt die in das gebiet der chemie gehören als für den fortschritt der kultur besonders wesentlich seien genannt die etwa um das jahr 3000 vor christi einsetzende gewinnung einiger gebrauchsmetalle kupfer zinn aus ihren in der natur

*lehrbuch der anorganischen chemie german edition* - Jun 02 2022

web jan 1 2007 amazon com lehrbuch der anorganischen chemie german edition 9783110177701 a f holleman books

holleman wiberg lehrbuch der anorganischen chemie - Aug 04 2022

web holleman wiberg lehrbuch der anorganischen chemie begründet von a f holleman fortgesetzt von e wiberg 91 100 verbesserte und stark erweiterte auflage von n wiberg walter de gruyter berlin 1985

**lehrbuch der anorganischen chemie wiberg egon free** - Jan 09 2023

web lehrbuch der anorganischen chemie by wiberg egon publication date 1976 topics chemistry inorganic chimie inorganique inorganic chemistry anorganische chemie publisher

*lehrbuch der anorganischen chemie de gruyter* - May 13 2023

web jan 29 2019 lehrbuch der anorganischen chemie by egon wiberg was published on january 29 2019 by de gruyter

holleman wiberg lehrbuch der anorganischen chemie wikipedia - Feb 10 2023

web umfang und inhalte der holleman wiberg beinhaltet informationen zu allen bekannten chemischen elementen sowie deren anorganische und metallorganische verbindungen es vermittelt sowohl grundlagen als auch stoffwissen der

anorganischen und metallorganischen chemie

[lehrbuch der anorganischen chemie de gruyter](#) - Apr 12 2023

web jul 8 2019 lehrbuch der anorganischen chemie by arnold frederik holleman was published on july 8 2019 by de gruyter

[lehrbuch der anorganischen chemie 1 worldcat org](#) - Dec 28 2021

web get this from a library lehrbuch der anorganischen chemie 1 heinrich remy

[lehrbuch der anorganischen chemie goodreads](#) - May 01 2022

web als bibel der chemie vermittelt das lehrbuch f r anorganische chemie sowohl grundlagen als auch stoffwissen der anorganischen und metallorganischen chemie mit der 102 auflage ist nach umfangreicher umgestaltung der voraufgabe ein neues werk entstanden das zur umfassenden pr fungszubereitung und als nachschlagewerk

[lehrbuch der anorganischen chemie nature](#) - Feb 27 2022

web lehrbuch der anorganischen chemie von prof dr h erdmann zweite auflage pp xxvi 757 brunswick viewig und sohn 1900 the first edition of this book published two

[kurzes lehrbuch der anorganischen chemie springerlink](#) - Sep 05 2022

web der verlag stellt mit diesem archiv quellen für die historische wie auch die disziplingeschichtliche forschung zur verfügung die jeweils im historischen kontext betrachtet werden müssen dieser titel erschien in der zeit vor 1945 und wird daher in seiner zeittypischen politisch ideologischen ausrichtung vom verlag nicht beworben

[allgemeine und anorganische chemie de gruyter](#) - Dec 08 2022

web nov 5 2018 die überarbeitete 12 auflage dieses klassischen lehrbuchs enthält die theoretischen grundlagen der allgemeinen und anorganischen chemie eine einföhrung in die anorganische stoffchemie sowie eine Übersicht zu aktuellen umweltproblemen dank seiner klaren struktur und des prägnanten schreibstils ist dieses werk ein favorit der

**kurzes lehrbuch der anorganischen und allgemeinen chemie** - Mar 31 2022

web book title kurzes lehrbuch der anorganischen und allgemeinen chemie authors g jander h spandau editors jürgen fenner harald siegers doi doi org 10 1007 978 3 642 96658 3 publisher springer berlin heidelberg ebook packages springer book archive copyright information springer verlag berlin

[lehrbuch der anorganischen chemie google books](#) - Nov 07 2022

web lehrbuch der anorganischen chemie arnold f holleman egon wiberg nils wiberg de gruyter 1995 chemistry inorganic 2033 pages 11 reviews reviews aren t verified but google checks for

**lehrbuch der anorganischen chemie de gruyter** - Aug 16 2023

web jul 14 2008 als bibel der chemie vermittelt das lehrbuch für anorganische chemie sowohl grundlagen als auch stoffwissen der anorganischen und metallorganischen chemie mit der 102 auflage ist nach umfangreicher umgestaltung der

vorauslage ein neues werk entstanden das zur umfassenden prüfungsvorbereitung und als  
*lehrbuch der anorganischen chemie von professor dr h science* - Jan 29 2022

web lehrbuch der anorganischen chemie von professor dr h erdmann in halle zweite auflage mit 287 abbildungen einer  
rechentafel und sechs farbigen tafeln braunschweig druck und verlag von friedrich vieweg und sohn 1900

**lehrbuch der anorganischen chemie de gruyter** - Mar 11 2023

web jan 29 2019 lehrbuch der anorganischen chemie von egon wiberg wurde am 29 januar 2019 von de gruyter  
veröffentlicht

*lehrbuch der anorganischen chemie de gruyter* - Jun 14 2023

web may 18 2020 lehrbuch der anorganischen chemie by a f holleman was published on may 18 2020 by de gruyter

## **04 Honda 400ex Engine Diagram** Book Review: Unveiling the Power of Words

In some sort of driven by information and connectivity, the power of words has be much more evident than ever. They have the capacity to inspire, provoke, and ignite change. Such is the essence of the book **04 Honda 400ex Engine Diagram**, a literary masterpiece that delves deep to the significance of words and their impact on our lives. Written by a renowned author, this captivating work takes readers on a transformative journey, unraveling the secrets and potential behind every word. In this review, we shall explore the book is key themes, examine its writing style, and analyze its overall affect readers.

[https://offsite.creighton.edu/files/virtual-library/Documents/hot\\_lava\\_book.pdf](https://offsite.creighton.edu/files/virtual-library/Documents/hot_lava_book.pdf)

[https://offsite.creighton.edu/files/virtual-library/Documents/how\\_is\\_canterbury\\_cathedral\\_related\\_to\\_the\\_story.pdf](https://offsite.creighton.edu/files/virtual-library/Documents/how_is_canterbury_cathedral_related_to_the_story.pdf)

[https://offsite.creighton.edu/files/virtual-library/Documents/how\\_do\\_i\\_prepare\\_for\\_administrative\\_assistant\\_exam.pdf](https://offsite.creighton.edu/files/virtual-library/Documents/how_do_i_prepare_for_administrative_assistant_exam.pdf)

### **Table of Contents 04 Honda 400ex Engine Diagram**

1. Understanding the eBook 04 Honda 400ex Engine Diagram
  - The Rise of Digital Reading 04 Honda 400ex Engine Diagram
  - Advantages of eBooks Over Traditional Books
2. Identifying 04 Honda 400ex Engine Diagram
  - Exploring Different Genres
  - Considering Fiction vs. Non-Fiction
  - Determining Your Reading Goals
3. Choosing the Right eBook Platform
  - Popular eBook Platforms
  - Features to Look for in an 04 Honda 400ex Engine Diagram

- User-Friendly Interface
- 4. Exploring eBook Recommendations from 04 Honda 400ex Engine Diagram
  - Personalized Recommendations
  - 04 Honda 400ex Engine Diagram User Reviews and Ratings
  - 04 Honda 400ex Engine Diagram and Bestseller Lists
- 5. Accessing 04 Honda 400ex Engine Diagram Free and Paid eBooks
  - 04 Honda 400ex Engine Diagram Public Domain eBooks
  - 04 Honda 400ex Engine Diagram eBook Subscription Services
  - 04 Honda 400ex Engine Diagram Budget-Friendly Options
- 6. Navigating 04 Honda 400ex Engine Diagram eBook Formats
  - ePub, PDF, MOBI, and More
  - 04 Honda 400ex Engine Diagram Compatibility with Devices
  - 04 Honda 400ex Engine Diagram Enhanced eBook Features
- 7. Enhancing Your Reading Experience
  - Adjustable Fonts and Text Sizes of 04 Honda 400ex Engine Diagram
  - Highlighting and Note-Taking 04 Honda 400ex Engine Diagram
  - Interactive Elements 04 Honda 400ex Engine Diagram
- 8. Staying Engaged with 04 Honda 400ex Engine Diagram
  - Joining Online Reading Communities
  - Participating in Virtual Book Clubs
  - Following Authors and Publishers 04 Honda 400ex Engine Diagram
- 9. Balancing eBooks and Physical Books 04 Honda 400ex Engine Diagram
  - Benefits of a Digital Library
  - Creating a Diverse Reading Collection 04 Honda 400ex Engine Diagram
- 10. Overcoming Reading Challenges
  - Dealing with Digital Eye Strain
  - Minimizing Distractions
  - Managing Screen Time
- 11. Cultivating a Reading Routine 04 Honda 400ex Engine Diagram
  - Setting Reading Goals 04 Honda 400ex Engine Diagram

- Carving Out Dedicated Reading Time
- 12. Sourcing Reliable Information of 04 Honda 400ex Engine Diagram
  - Fact-Checking eBook Content of 04 Honda 400ex Engine Diagram
  - Distinguishing Credible Sources
- 13. Promoting Lifelong Learning
  - Utilizing eBooks for Skill Development
  - Exploring Educational eBooks
- 14. Embracing eBook Trends
  - Integration of Multimedia Elements
  - Interactive and Gamified eBooks

### **04 Honda 400ex Engine Diagram Introduction**

In this digital age, the convenience of accessing information at our fingertips has become a necessity. Whether its research papers, eBooks, or user manuals, PDF files have become the preferred format for sharing and reading documents. However, the cost associated with purchasing PDF files can sometimes be a barrier for many individuals and organizations. Thankfully, there are numerous websites and platforms that allow users to download free PDF files legally. In this article, we will explore some of the best platforms to download free PDFs. One of the most popular platforms to download free PDF files is Project Gutenberg. This online library offers over 60,000 free eBooks that are in the public domain. From classic literature to historical documents, Project Gutenberg provides a wide range of PDF files that can be downloaded and enjoyed on various devices. The website is user-friendly and allows users to search for specific titles or browse through different categories. Another reliable platform for downloading 04 Honda 400ex Engine Diagram free PDF files is Open Library. With its vast collection of over 1 million eBooks, Open Library has something for every reader. The website offers a seamless experience by providing options to borrow or download PDF files. Users simply need to create a free account to access this treasure trove of knowledge. Open Library also allows users to contribute by uploading and sharing their own PDF files, making it a collaborative platform for book enthusiasts. For those interested in academic resources, there are websites dedicated to providing free PDFs of research papers and scientific articles. One such website is Academia.edu, which allows researchers and scholars to share their work with a global audience. Users can download PDF files of research papers, theses, and dissertations covering a wide range of subjects. Academia.edu also provides a platform for discussions and networking within the academic community. When it comes to downloading 04 Honda 400ex Engine Diagram free PDF files of magazines, brochures, and catalogs, Issuu is a popular choice. This digital publishing platform hosts a vast collection of publications

from around the world. Users can search for specific titles or explore various categories and genres. Issuu offers a seamless reading experience with its user-friendly interface and allows users to download PDF files for offline reading. Apart from dedicated platforms, search engines also play a crucial role in finding free PDF files. Google, for instance, has an advanced search feature that allows users to filter results by file type. By specifying the file type as "PDF," users can find websites that offer free PDF downloads on a specific topic. While downloading 04 Honda 400ex Engine Diagram free PDF files is convenient, it's important to note that copyright laws must be respected. Always ensure that the PDF files you download are legally available for free. Many authors and publishers voluntarily provide free PDF versions of their work, but it's essential to be cautious and verify the authenticity of the source before downloading 04 Honda 400ex Engine Diagram. In conclusion, the internet offers numerous platforms and websites that allow users to download free PDF files legally. Whether it's classic literature, research papers, or magazines, there is something for everyone. The platforms mentioned in this article, such as Project Gutenberg, Open Library, Academia.edu, and Issuu, provide access to a vast collection of PDF files. However, users should always be cautious and verify the legality of the source before downloading 04 Honda 400ex Engine Diagram any PDF files. With these platforms, the world of PDF downloads is just a click away.

### **FAQs About 04 Honda 400ex Engine Diagram Books**

How do I know which eBook platform is the best for me? Finding the best eBook platform depends on your reading preferences and device compatibility. Research different platforms, read user reviews, and explore their features before making a choice. Are free eBooks of good quality? Yes, many reputable platforms offer high-quality free eBooks, including classics and public domain works. However, make sure to verify the source to ensure the eBook credibility. Can I read eBooks without an eReader? Absolutely! Most eBook platforms offer webbased readers or mobile apps that allow you to read eBooks on your computer, tablet, or smartphone. How do I avoid digital eye strain while reading eBooks? To prevent digital eye strain, take regular breaks, adjust the font size and background color, and ensure proper lighting while reading eBooks. What the advantage of interactive eBooks? Interactive eBooks incorporate multimedia elements, quizzes, and activities, enhancing the reader engagement and providing a more immersive learning experience. 04 Honda 400ex Engine Diagram is one of the best book in our library for free trial. We provide copy of 04 Honda 400ex Engine Diagram in digital format, so the resources that you find are reliable. There are also many Ebooks of related with 04 Honda 400ex Engine Diagram. Where to download 04 Honda 400ex Engine Diagram online for free? Are you looking for 04 Honda 400ex Engine Diagram PDF? This is definitely going to save you time and cash in something you should think about. If you trying to find then search around for online. Without a doubt there are numerous these available and many of them have the freedom. However without doubt you



receive whatever you purchase. An alternate way to get ideas is always to check another 04 Honda 400ex Engine Diagram. This method for see exactly what may be included and adopt these ideas to your book. This site will almost certainly help you save time and effort, money and stress. If you are looking for free books then you really should consider finding to assist you try this. Several of 04 Honda 400ex Engine Diagram are for sale to free while some are payable. If you arent sure if the books you would like to download works with for usage along with your computer, it is possible to download free trials. The free guides make it easy for someone to free access online library for download books to your device. You can get free download on free trial for lots of books categories. Our library is the biggest of these that have literally hundreds of thousands of different products categories represented. You will also see that there are specific sites catered to different product types or categories, brands or niches related with 04 Honda 400ex Engine Diagram. So depending on what exactly you are searching, you will be able to choose e books to suit your own need. Need to access completely for Campbell Biology Seventh Edition book? Access Ebook without any digging. And by having access to our ebook online or by storing it on your computer, you have convenient answers with 04 Honda 400ex Engine Diagram To get started finding 04 Honda 400ex Engine Diagram, you are right to find our website which has a comprehensive collection of books online. Our library is the biggest of these that have literally hundreds of thousands of different products represented. You will also see that there are specific sites catered to different categories or niches related with 04 Honda 400ex Engine Diagram So depending on what exactly you are searching, you will be able to choose ebook to suit your own need. Thank you for reading 04 Honda 400ex Engine Diagram. Maybe you have knowledge that, people have search numerous times for their favorite readings like this 04 Honda 400ex Engine Diagram, but end up in harmful downloads. Rather than reading a good book with a cup of coffee in the afternoon, instead they juggled with some harmful bugs inside their laptop. 04 Honda 400ex Engine Diagram is available in our book collection an online access to it is set as public so you can download it instantly. Our digital library spans in multiple locations, allowing you to get the most less latency time to download any of our books like this one. Merely said, 04 Honda 400ex Engine Diagram is universally compatible with any devices to read.

### **Find 04 Honda 400ex Engine Diagram :**

*hot lava book*

[how is canterbury cathedral related to the story](#)

*how do i prepare for administrative assistant exam*

[how many chapters are in im glad my mom died](#)

[how to balance nuclear reactions](#)

[how did calvin die in lessons in chemistry](#)

how to be a better planner and organizer

**how easy is it to learn turkish**

how to become a drummer

*how old is robert herjavec*

*how much does it cost to sponsor a race car*

~~hormone reset detox~~

**how long does the ap chem test take**

how many pages fahrenheit 451

how old is akame

**04 Honda 400ex Engine Diagram :**