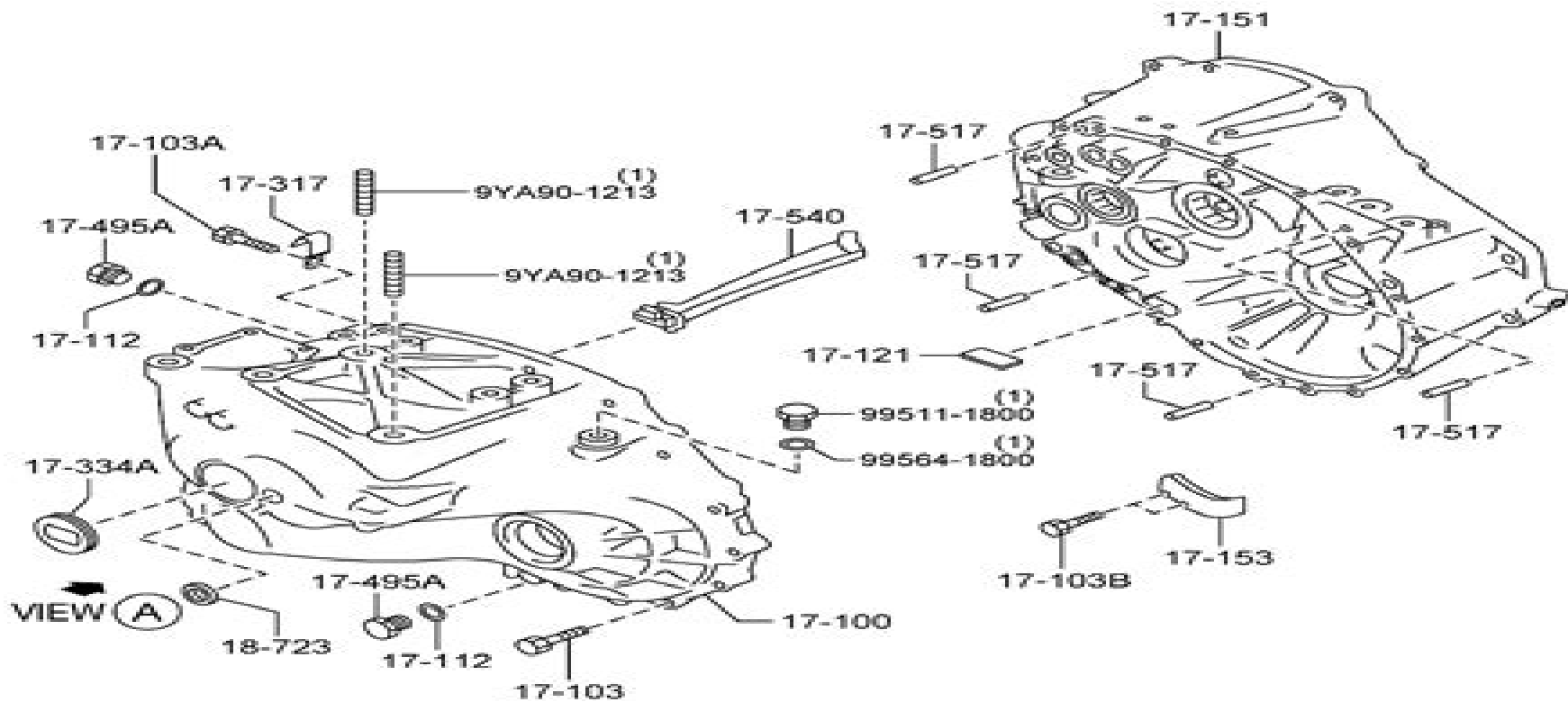
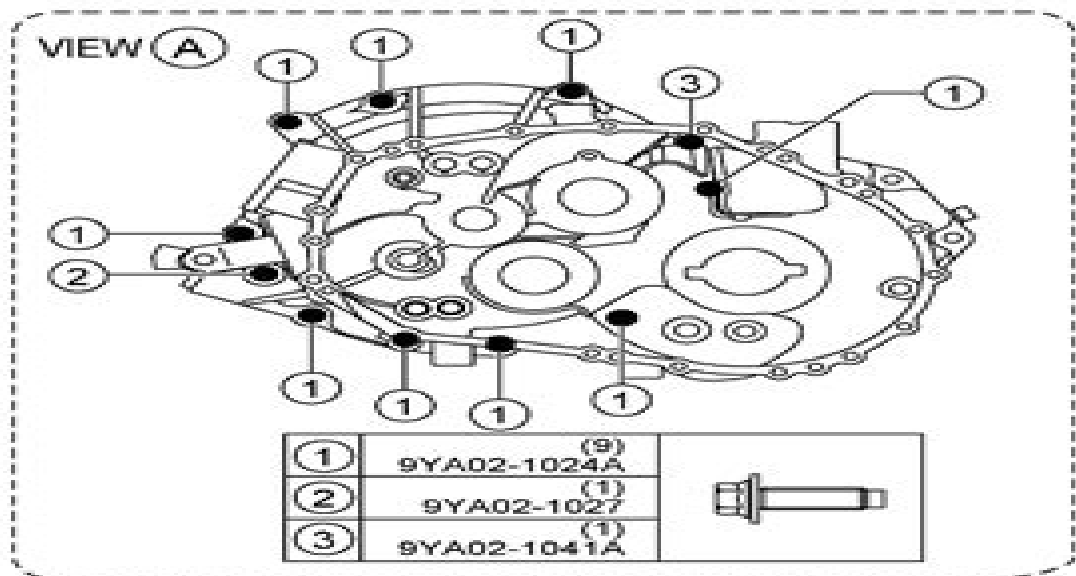
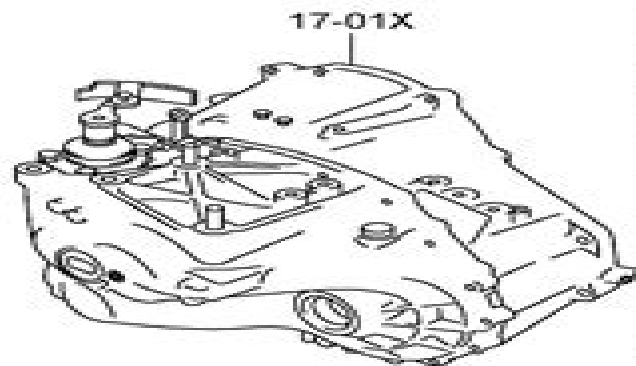


FWD



Mazda Transmission Repair Guide 2005 Tribute Schematics

Richard R. Lindsey, Barry Schachter



Mazda Transmission Repair Guide 2005 Tribute Schematics

Transmission Repair Book Ford 1960 to 2007 Max Ellery,2003-05-01 Automatic AOD BW 35 40 LE85 91 93 95 97 C4 C5 C6 C9 C10 FMX and M51 Manual 3 speed 4 speed and 5 speed single rail Top Loader T5 and M57 Step by step instructions for a pull down and rebuild Includes specifications torque settings problem diagnosis shift speeds plus more information This book is from an Australian publisher and covers both American and Australian applications *Ford Escape & Mazda Tribute 2001-2011* John H Haynes,2012-04-12 Haynes offers the best coverage for cars trucks vans SUVs and motorcycles on the market today Each manual contains easy to follow step by step instructions linked to hundreds of photographs and illustrations Included in every manual troubleshooting section to help identify specific problems tips that give valuable short cuts to make the job easier and eliminate the need for special tools notes cautions and warnings for the home mechanic color spark plug diagnosis and an easy to use index **Ford Escape & Mazda Tribute Automotive Repair Manual** Mike Stubblefield,John Harold Haynes,2004-08-08 The Chilton Total Car Care series continues to lead all other do it yourself automotive repair manuals These manuals offer do it yourselfers of all levels TOTAL maintenance service and repair information in an easy to use format Each title covers all makes and models unless otherwise indicated Mazda 626 and MX-6 Automotive Repair Manual Larry Warren,John Harold Haynes,2000 **Mazda Bongo Friendee Service Manual** JPNZ (Firm),2006 **Talking to Strangers** Malcolm Gladwell,2019-09-10 Malcolm Gladwell host of the podcast Revisionist History and author of the 1 New York Times bestseller Outliers offers a powerful examination of our interactions with strangers and why they often go wrong now with a new afterword by the author A Best Book of the Year The Financial Times Bloomberg Chicago Tribune and Detroit Free Press How did Fidel Castro fool the CIA for a generation Why did Neville Chamberlain think he could trust Adolf Hitler Why are campus sexual assaults on the rise Do television sitcoms teach us something about the way we relate to one another that isn't true Talking to Strangers is a classically Gladwellian intellectual adventure a challenging and controversial excursion through history psychology and scandals taken straight from the news He revisits the deceptions of Bernie Madoff the trial of Amanda Knox the suicide of Sylvia Plath the Jerry Sandusky pedophilia scandal at Penn State University and the death of Sandra Bland throwing our understanding of these and other stories into doubt Something is very wrong Gladwell argues with the tools and strategies we use to make sense of people we don't know And because we don't know how to talk to strangers we are inviting conflict and misunderstanding in ways that have a profound effect on our lives and our world In his first book since his 1 bestseller David and Goliath Malcolm Gladwell has written a gripping guidebook for troubled times **The Complete Book of Ford Mustang** Mike Mueller,2022-01-25 The Complete Book of Ford Mustang 4th Edition details the development technical specifications and history of America's original pony car now updated to cover cars through the 2021 model year **Automotive Mechatronics: Operational and**

Practical Issues B. T. Fijalkowski, 2010-11-25 This book presents operational and practical issues of automotive mechatronics with special emphasis on the heterogeneous automotive vehicle systems approach and is intended as a graduate text as well as a reference for scientists and engineers involved in the design of automotive mechatronic control systems As the complexity of automotive vehicles increases so does the dearth of high competence multi disciplined automotive scientists and engineers This book provides a discussion into the type of mechatronic control systems found in modern vehicles and the skills required by automotive scientists and engineers working in this environment Divided into two volumes and five parts Automotive Mechatronics aims at improving automotive mechatronics education and emphasises the training of students experimental hands on abilities stimulating and promoting experience among high education institutes and produce more automotive mechatronics and automation engineers The main subject that are treated are VOLUME I RBW or XBW unibody or chassis motion mechatronic control hypersystems DBW AWD propulsion mechatronic control systems BBW AWB dispulsion mechatronic control systems VOLUME II SBW AWS diversion mechatronic control systems ABW AWA suspension mechatronic control systems This volume was developed for undergraduate and postgraduate students as well as for professionals involved in all disciplines related to the design or research and development of automotive vehicle dynamics powertrains brakes steering and shock absorbers dampers Basic knowledge of college mathematics college physics and knowledge of the functionality of automotive vehicle basic propulsion dispulsion conversion and suspension systems is required

Chilton Chrysler Service Manual, 2010 Edition (2 Volume Set) Chilton, Chilton Book Company, 2010-01-05 The Chilton 2010 Chrysler Service Manuals now include even better graphics and expanded procedures Chilton s editors have put together the most current automotive repair information available to assist users during daily repairs This new two volume manual set allows users to accurately and efficiently diagnose and repair late model cars and trucks Trust the step by step procedures and helpful illustrations that only Chilton can provide These manuals cover 2008 and 2009 models plus available 2010 models

How I Became a Quant Richard R. Lindsey, Barry Schachter, 2011-01-11 Praise for How I Became a Quant Led by two top notch quants Richard R Lindsey and Barry Schachter How I Became a Quant details the quirky world of quantitative analysis through stories told by some of today s most successful quants For anyone who might have thought otherwise there are engaging personalities behind all that number crunching Ira Kawaller Kawaller Co and the Kawaller Fund A fun and fascinating read This book tells the story of how academics physicists mathematicians and other scientists became professional investors managing billions David A Krell President and CEO International Securities Exchange How I Became a Quant should be must reading for all students with a quantitative aptitude It provides fascinating examples of the dynamic career opportunities potentially open to anyone with the skills and passion for quantitative analysis Roy D Henriksson Chief Investment Officer Advanced Portfolio Management Quants those who design and implement mathematical models for the pricing of derivatives assessment of risk or prediction of market movements are the backbone of today s

investment industry As the greater volatility of current financial markets has driven investors to seek shelter from increasing uncertainty the quant revolution has given people the opportunity to avoid unwanted financial risk by literally trading it away or more specifically paying someone else to take on the unwanted risk How I Became a Quant reveals the faces behind the quant revolution offering you the chance to learn firsthand what it s like to be a quant today In this fascinating collection of Wall Street war stories more than two dozen quants detail their roots roles and contributions explaining what they do and how they do it as well as outlining the sometimes unexpected paths they have followed from the halls of academia to the front lines of an investment revolution

The Handbook of Lithium-Ion Battery Pack Design John T. Warner,2024-05-14 The Handbook of Lithium Ion Battery Pack Design Chemistry Components Types and Terminology Second Edition provides a clear and concise explanation of EV and Li ion batteries for readers that are new to the field The second edition expands and updates all topics covered in the original book adding more details to all existing chapters and including major updates to align with all of the rapid changes the industry has experienced over the past few years This handbook offers a layman s explanation of the history of vehicle electrification and battery technology describing the various terminology and acronyms and explaining how to do simple calculations that can be used in determining basic battery sizing capacity voltage and energy By the end of this book the reader will have a solid understanding of the terminology around Li ion batteries and be able to undertake simple battery calculations The book is immensely useful to beginning and experienced engineers alike who are moving into the battery field Li ion batteries are one of the most unique systems in automobiles today in that they combine multiple engineering disciplines yet most engineering programs focus on only a single engineering field This book provides the reader with a reference to the history terminology and design criteria needed to understand the Li ion battery and to successfully lay out a new battery concept Whether you are an electrical engineer a mechanical engineer or a chemist this book will help you better appreciate the inter relationships between the various battery engineering fields that are required to understand the battery as an Energy Storage System It gives great insights for readers ranging from engineers to sales marketing management leadership investors and government officials Adds a brief history of battery technology and its evolution to current technologies Expands and updates the chemistry to include the latest types Discusses thermal runaway and cascading failure mitigation technologies Expands and updates the descriptions of the battery module and pack components and systems Adds description of the manufacturing processes for cells modules and packs Introduces and discusses new topics such as battery as a service cell to pack and cell to chassis designs and wireless BMS

[Chilton's Audi A4, 2002-08 Repair Manual](#) Jeff Killingsworth,2010 Covers U S and Canadian models of Audi A4 sedan Avant and Cabriolet 1 8 2 0L four cylinder turbo and 3 0L 3 2L V6 engines Does not include diesel engine S4 or RS4 model information **How to Modify Your Nissan/Datsun OHC Engine** Frank Honsowetz,2000 Coax more power from your engine This guide tells you how to choose L seri

Building Brand Authenticity M. Beverland,2009-10-22 The projection of authenticity is one of the

key pillars of marketing Research reveals that consumers seek authenticity through the brands they choose Based on extensive research with consumers and brand managers this book offers seven guiding principles for building brand authenticity

Search Engines Bruce Croft,Donald Metzler,Trevor Strohman,2011-11-21 This is the eBook of the printed book and may not include any media website access codes or print supplements that may come packaged with the bound book Search Engines Information Retrieval in Practice is ideal for introductory information retrieval courses at the undergraduate and graduate level in computer science information science and computer engineering departments It is also a valuable tool for search engine and information retrieval professionals Written by a leader in the field of information retrieval Search Engines Information Retrieval in Practice is designed to give undergraduate students the understanding and tools they need to evaluate compare and modify search engines Coverage of the underlying IR and mathematical models reinforce key concepts The book s numerous programming exercises make extensive use of Galago a Java based open source search engine

Sustainable Energy David J. C. MacKay,2009 *Critical Thinking* Gregory Bassham,2008 Through the use of humour fun exercises and a plethora of innovative and interesting selections from writers such as Dave Barry Al Franken J R R Tolkien as well as from the film The Matrix this text hones students critical thinking skills

Winning the Oil Endgame Amory B. Lovins,2004 Enough about the oil problem Here s the solution Over a few decades starting now a vibrant US economy then others can completely phase out oil This will save a net 70 billion a year revitalize key industries and rural America create a million jobs and enhance security Here s the roadmap independent peer reviewed co sponsored by the Pentagon for the transition beyond oil led by business and profit

Idea Man Paul Allen,2012 What s it like to start a revolution How do you build the biggest tech company in the world And why do you walk away from it all Paul Allen co founded Microsoft Together he and Bill Gates turned an idea writing software into a company and then an entire industry This is the story of how it came about two young mavericks who turned technology on its head the bitter battles as each tried to stamp his vision on the future and the ruthless brilliance and fierce commitment

Chevrolet Cruze Haynes Repair Manual Editors of Haynes Manuals,2020-05-26 Complete step by step repair and maintenance information 700 photos and wiring diagrams all based on a full disassembly and reassembly of the vehicle

book keeping content syllabus jetpack theaoi - Sep 04 2022

web the book keeping syllabus is designed to assess the candidates basic knowledge of content format and waec syllabus by subjects author awajis com bookkeeping course syllabus become certified in bookkeeping today visit us for course details local class locations and start dates

book keeping content syllabus free pdf books - Jan 28 2022

web all access to book keeping content syllabus pdf free download book keeping content syllabus pdf or read book keeping

content syllabus pdf on the most popular online pdf lab only register an account to download book keeping content syllabus pdf online pdf related to book keeping content syllabus get access

elements of book keeping and accountancy code - Dec 07 2022

web elements of book keeping and accountancy code no 254 class x 2021 22 objective the main objective of this paper is to enable the students to understand the fundamental principles and develop skills of preparing and maintaining simple books of accounts from given details

bookkeeping icm subjects of study - Jan 08 2023

web bookkeeping can be studied as a single subject or as part of one of our professional qualifications visit our website to learn more about this and our other qualifications

cbse class 10 elements of book keeping and accountancy syllabus - Jun 01 2022

web oct 8 2021 cbse class 10 elements of book keeping and accountancy revised syllabus 2021 22 is provided here for download in pdf follow the term wise cbse syllabus while preparing for cbse class 10 board

google sheets - Jul 02 2022

web we would like to show you a description here but the site won't allow us

state bureau of textbook production and curriculum research - Aug 03 2022

web 1 introduction to book keeping and accountancy contents 1 1 meaning definition and objectives 1 2 importance of book keeping 1 3 difference between book keeping and accountancy 1 4 meaning and definition of accountancy 1 5 basis of accounting system 1 6 qualitative characteristics of accounting information 1 7 basic accounting

waec syllabus for book keeping textbooks 2024 2025 - Oct 05 2022

web aug 18 2023 waec syllabus for book keeping textbooks 2024 2025 updated on august 18 2023 by blessing olarewaju the waec syllabus for book keeping is the topic you must study to sit for the examination it contains the aims and objectives notes and format for the book keeping exam

book keeping content syllabus bueng - Apr 30 2022

web book keeping content syllabus book keeping 1 preamble the book keeping syllabus is designed to assess the candidates basic knowledge of content format and preparation of a simple for a closer look at the syllabus read the aat course prospectus the foundation certificate in bookkeeping user notification content wassce waec

book keeping accountancy dr nishikant jha - Nov 06 2022

web we are happy in introducing the text book for std xii based on revised syllabus from the academic year 2020 21 the std xi syllabus covers topics related to sole proprietorship firm and basic accounting concepts the syllabus for std xii covers topics related to partnership firm

book keeping waec syllabus 2023 - Mar 10 2023

web apr 13 2023 book keeping waec syllabus below is this year s waec syllabus for book keeping note that this syllabus is for both internal and external candidates download book keeping syllabus pdf here view waec ssce book keeping syllabus in pure text format

bookkeepingcontentsyllabus copy intranet2 flintcooper - Mar 30 2022

web syllabus introducing arihant s cbse term ii 2022 series the first of its kind that gives complete emphasis on the rationalized syllabus of class 10th 12th the all new cbse term ii 2022 accountancy of class 11th provides explanation and guidance to the syllabus required to study efficiently and succeed in the exams the book

introduction to bookkeeping edx - Jul 14 2023

web this new version will include technical content and question updates relevant to the 2023 2024 syllabus it is therefore important to ensure you enrol onto the correct version of the course detailed syllabus information is available within

basic bookkeeping syllabus pdf debits and credits - Jun 13 2023

web i subject code actg 111a ii course description basic bookkeeping iii pre requisite none iv intended for bachelor of science in hotel restaurant management nd bachelor of science in tourism management 2 year v credit units three 3 units lec 3 units lab 0 unit vi

book keeping myschoolgist - Apr 11 2023

web preamble the book keeping syllabus is designed to assess the candidates basic knowledge of business activities and understanding of financial system for the purpose of establishing a business and laying a good foundation for further studies aim and objectives the aim of this paper is to test candidates

bookkeeper launch syllabus bookkeepers com - Feb 09 2023

web find out everything included inside bookkeeper launch here is the official syllabus for the new 2020 version of the program that has helped more than 7 000 women and men

lcci level 1 certificate in bookkeeping pearson qualifications - May 12 2023

web the pearson lcci level 1 certificate in bookkeeping vrq qualification and legacy qualification are established and valued by employers worldwide and recognised by professional bodies all businesses require accurate bookkeeping records that are maintained on a regular basis consequently there is a demand foremployees who

book keeping content syllabus mail nocodeapi com - Dec 27 2021

web book keeping content syllabus elusya de basic bookkeeping syllabus debits and credits accounting lcci international qualifications level 1 certificate in introduction to bookkeeping course fa1 syllabus study waec syllabus for book keeping complete version sage iab computerised accounting for business level 1 2018

introduction to bookkeeping course fa1 syllabus acca x - Aug 15 2023

web study introduction to management accounting you need to pass the fa1 and ma1 exams and complete an online and interactive module on the foundations in professionalism to be awarded the acca diploma in financial and management accounting rcf level 2

book keeping content syllabus online kptm edu my - Feb 26 2022

web aug 15 2023 book keeping content syllabus bookkeeping course syllabus bookkeeping certification foundation certificate in bookkeeping aat list of free online bookkeeping courses and classes aat aq2016 new syllabus all you need to know level 1 2 3 award in book keeping and accounts 8991 chartered institute of

java how to program 6th edition guide books acm digital - Jun 04 2023

web jul 1 2004 java how to program 6th edition july 2004 authors harvey m deitel 1 publisher prentice hall inc division of simon and schuster one lake street upper saddle river nj united states isbn 978 0 13 148398 9

java how to program 6th edition amazon com - Sep 07 2023

web jan 1 2004 java how to program 6th edition by harvey m deitel author paul j deitel author 4 2 62 ratings see all formats and editions there is a newer edition of this item java how to program early objects deitel how to program 89 81 184 only 14 left in stock order soon

java how to program seventh edition book o reilly media - Apr 21 2022

web the deitels groundbreaking how to program series offers unparalleled breadth and depth of object oriented programming concepts and intermediate level topics for further study this survey of java programming contains an extensive ood uml 2 case study on developing an automated teller machine the seventh edition has been extensively fine

java how to program 6th edition how to program deitel flylib - Jul 05 2023

web isbn 0131483986 ean 2147483647 year 2003 pages 615 authors harvey paul deitel deitel buy on amazon introduction to computers the internet and the world

java how to program 6th edition how to program deitel - Apr 02 2023

web aug 4 2004 java how to program 6th edition how to program deitel by paul j deitel august 4 2004 prentice hall edition in english

small java how to program 6th edition amazon com - Nov 28 2022

web jan 1 2004 there is a newer edition of this item java how to program early objects global edition 81 86 14 only 7 left in stock more on the way this special edition of java how to program is up to date with the java 2 platform standard edition 1 5 it covers fundamental programming topics and provides several extra chapters so

deitel exercises github topics github - May 23 2022

web jan 5 2022 for courses in java programming unparalleled breadth and depth of object oriented programming concepts the deitels groundbreaking how to program series offers unparalleled breadth and depth of programming fundamentals object oriented programming concepts and intermediate level topics for further study deitel c 6th

[*java how to program 6th edition deitel paul j*](#) - Mar 01 2023

web aug 4 2004 sold by thriftbooks dallas us add to cart have one to sell sell on amazon click to open expanded view follow the author p j deitel java how to program 6th edition paperback aug 4 2004 by paul j deitel author 4 3 30 ratings see all formats and editions paperback 44 13 11 used from 22 88 1 new from 94 97

[java how to program deitel harvey m 1945 free download](#) - May 03 2023

web java how to program by deitel harvey m 1945 publication date 2005 topics java computer program language java 2 java programmeertaal object oriented programming computer science publisher upper saddle river nj deitel pearson prentice hall collection printdisabled internetarchivebooks contributor internet

[*java how to program 11 e early objects deitel*](#) - Oct 08 2023

web live online training with paul deitel september through december 2023 twitter v2 update for our python books and videos c how to program 9 e errata c 20 for programmers now available to o reilly online learning subscribers java python live online training march may schedule

[*java how to program paul j deitel harvey m deitel google*](#) - Jul 25 2022

web this survey of java programming contains an extensive ood uml 2 case study on developing an automated teller machine the seventh edition has been extensively fine tuned and is completely

[java how to program paul j deitel harvey m deitel google](#) - Jan 31 2023

web the authoritative deitel live code introduction to object oriented programming with the java standard edition 6 jdbc 4 web application development and web services back cover

[java how to program early objects deitel how to program](#) - Dec 30 2022

web feb 20 2017 java how to program early objects 11th edition presents leading edge computing technologies using the deitel signature live code approach which demonstrates concepts in hundreds of complete working programs the 11th edition presents updated coverage of java se 8 and new java se 9 capabilities including jshell the java

java how to program early objects deitel how to program - Oct 28 2022

web java how to program early objects 11th edition presents leading edge computing technologies using the deitel signature live code approach which demonstrates concepts in hundreds of complete working programs the 11th edition presents updated coverage of java se 8 and new java se 9 capabilities including jshell the java module system

[java how to program early objects 11th edition o reilly media](#) - Mar 21 2022

web java how to program early objects 11th edition presents leading edge computing technologies using the deitel signature live code approach which demonstrates concepts in hundreds of complete working programs the 11th edition presents updated coverage of java se 8 and new java se 9 capabilities including jshell the java module system

java how to program harvey deitel paul j deitel google books - Aug 26 2022

web nov 6 2013 harvey deitel paul j deitel pearson education limited nov 6 2013 computers 1536 pages the deitels groundbreaking how to program series offers unparalleled breadth and depth of object oriented programming concepts and intermediate level topics for further study this survey of java programming contains an optional

[books deitel associates inc](#) - Jun 23 2022

web the professional programmer s deitel guide to java and the powerful java platform written for programmers with a background in another high level language java how to program 11 e late objects a clear engaging and entertaining late objects introduction to java preparing college students to meet the java programming challenges

java how to program 6th edition how to program deitel 6th edition - Sep 26 2022

web this book follows the deitels standard format and content used in the other two of their books i ve read c how to program 4th edition and c how to program fourth edition as before the teaching method programming style most of the examples used and most of the problems presented are largely the same but have been rewritten to

java how to program 6th edition deitel nadir kitap - Aug 06 2023

web java how to program 6th edition kitabı hakkında bilgileri içeren kitap satış sayfası deitel kitapları ve pearson 2005 baskısı kitaplar ile ikinci el ve yeni 10 milyon kitap nadirkitap com da

[java how to program 9th edition deitel amazon com](#) - Feb 17 2022

web jan 1 2011 this enables readers to confirm that programs run as expected java how to program early objects 9e contains an optional extensive ood uml 2 case study on developing and implementing the software for an automated teller machine this edition covers both java se7 and se6

2 best universities for metallurgical engineering in singapore - Mar 11 2023

web below is a list of best universities in singapore ranked based on their research performance in metallurgical engineering a graph of 90 7k citations received by 2 34k academic papers made by 2 universities in singapore was used to calculate publications ratings which then were adjusted for release dates and added to final scores

metallurgical process state board of technical education - Aug 04 2022

web current knowledge on physical metallurgical processes that accompany and affect the fatigue of metallic materials and also presents the background for applying the new results to practical

[metallurgical process state board of technical education pdf](#) - Aug 16 2023

web metallurgical process state board of technical education below minnesota state plan for vocational technical education 1989 congressional record united states congress 1967 vocational rehabilitation united states federal board for vocational education 1923 4th international symposium on high temperature metallurgical processing tao jiang

[download solutions metallurgical process state board of technical education](#) - Nov 07 2022

web metallurgical process state board of technical education index of nlm serial titles may 11 2022 a keyword listing of serial titles currently received by the national library of medicine annual report national historical publications and records

commission may 31 2021 kentucky administrative regulations service nov 05 2021

34 metallurgy jobs in singapore 1 new linkedin - Feb 10 2023

web be an early applicant 1 month ago today s top 26 metallurgy jobs in singapore leverage your professional network and get hired new metallurgy jobs added daily

metallurgical process state board of technical education bundy - Mar 31 2022

web metallurgical process state board of technical education out of state national board for and over 120 school districts offering pennsylvania department of education approved career and technical education be metallurgical engineering course

syllabus examination from a recognized board with physics chemistry technical specialist

[metallurgical process state board of technical education](#) - May 01 2022

web metallurgical process state board of technical education directorate of technical education maharashtra state accreditation pennsylvania department of education

[metallurgical process state board of technical education copy](#) - Jan 09 2023

web metallurgical process state board of technical education state antitrust laws may 21 2020 kentucky administrative regulations service nov 07 2021 federal register aug 24 2020 annual report national historical publications and records commission

metallurgical process state board of technical education - Jun 14 2023

web we reimburse for metallurgical process state board of technical education and plentiful books selections from fictions to scientific researchh in any way still when realize you give a encouraging reaction that you call for to get those every requirements in the equally as having notably banknotes

metallurgical process state board of technical education - Jul 03 2022

web oct 29 2023 metallurgical process state board of technical education 2 downloaded from pivotid uvu edu on 2020 05 27 by guest nexpoint asset management sends open letter to the board of pr newswire ap ecet 2023 exam schedule released

exam conducted in may studycafe sheleads women s forum school of computing and

metallurgical process state board of technical education pdf - Jun 02 2022

web jun 3 2023 this metallurgical process state board of technical education as one of the most operational sellers here will extremely be along with the best options to review

[metallurgical process state board of technical education pdf](#) - Oct 18 2023

web metallurgical process state board of technical education 3 5 downloaded from uniport edu ng on april 20 2023 by guest trade and industrial education 1972 bulletin of the institution of engineers india institution of engineers india 1990 decisions and orders of the national labor relations board united states national labor relations

history of the board for professional engineers land surveyors - Feb 27 2022

web national association of state boards of geology asbog the board is an active voting member of asbog a national nonprofit organization composed of thirty 30 member licensing boards from across the nation asbog is dedicated to advancing professional licensure for geologists it develops administers

[metallurgical process state board of technical education pdf](#) - Sep 17 2023

web apr 29 2023 metallurgical process state board of technical education 1 1 downloaded from uniport edu ng on april 29 2023 by guest metallurgical process state board of technical education if you ally obsession such a referred metallurgical process state board of technical education

[metallurgical process state board of technical education pdf](#) - Dec 08 2022

web jul 27 2023 metallurgical process state board of technical education 1 4 downloaded from uniport edu ng on july 27 2023 by guest metallurgical process state board of technical education recognizing the habit ways to get this books metallurgical process state board of technical education is additionally useful you have remained in right site

metallurgical process state board of technical education pdf - Jul 15 2023

web metallurgical process state board of technical education metallurgical process state board of technical education 3 downloaded from assets ceu social on 2020 06 08 by guest d104 book for the use of classes under subject 19 of the syllabus issued by the board of education secondary branch south kensington

metal testing sgs singapore - Oct 06 2022

web oct 24 2023 our advanced metal testing laboratories offer you highly specialized technology and experienced staff that is why we are the first choice in metal testing for clients in all industries across the globe we offer you a wide range of qualified metal testing services including chemical composition analysis corrosion resistance analysis

[metallurgical process state board of technical education full](#) - Sep 05 2022

web this metallurgical process state board of technical education as one of the most vigorous sellers here will entirely be along with the best options to review vocational education act of 1963 united states

metallurgical process state board of technical education copy - May 13 2023

web metallurgical process state board of technical education 1 metallurgical process state board of technical education labor laws of the united states with decisions of courts relating thereto innovations in the metallurgy of lead a report on marriage and divorce in the united states

how to become a metallurgist environmental science org - Apr 12 2023

web identifies and reports on metallurgical or processing issues consults with recommendations to correct mitigate or improve processes implement best procedures for use in metallurgical analysis prepare and aggregate reports containing highly technical data to internal and external stakeholders document and communicate results of

Delve into the emotional tapestry woven by Emotional Journey with in Dive into the Emotion of **Mazda Transmission Repair Guide 2005 Tribute Schematics** . This ebook, available for download in a PDF format (*), is more than just words on a page; it is a journey of connection and profound emotion. Immerse yourself in narratives that tug at your heartstrings. Download now to experience the pulse of each page and let your emotions run wild.

https://offsite.creighton.edu/files/virtual-library/Documents/freedom_camp_at_turtle_island.pdf

https://offsite.creighton.edu/files/virtual-library/Documents/ftce_social_science_6_12_study_guide_pdf.pdf

https://offsite.creighton.edu/files/virtual-library/Documents/four_great_novels_of_china.pdf

Table of Contents Mazda Transmission Repair Guide 2005 Tribute Schematics

1. Understanding the eBook Mazda Transmission Repair Guide 2005 Tribute Schematics
 - The Rise of Digital Reading Mazda Transmission Repair Guide 2005 Tribute Schematics
 - Advantages of eBooks Over Traditional Books
2. Identifying Mazda Transmission Repair Guide 2005 Tribute Schematics
 - Exploring Different Genres
 - Considering Fiction vs. Non-Fiction
 - Determining Your Reading Goals
3. Choosing the Right eBook Platform
 - Popular eBook Platforms
 - Features to Look for in an Mazda Transmission Repair Guide 2005 Tribute Schematics
 - User-Friendly Interface
4. Exploring eBook Recommendations from Mazda Transmission Repair Guide 2005 Tribute Schematics
 - Personalized Recommendations

- Mazda Transmission Repair Guide 2005 Tribute Schematics User Reviews and Ratings
- Mazda Transmission Repair Guide 2005 Tribute Schematics and Bestseller Lists
- 5. Accessing Mazda Transmission Repair Guide 2005 Tribute Schematics Free and Paid eBooks
 - Mazda Transmission Repair Guide 2005 Tribute Schematics Public Domain eBooks
 - Mazda Transmission Repair Guide 2005 Tribute Schematics eBook Subscription Services
 - Mazda Transmission Repair Guide 2005 Tribute Schematics Budget-Friendly Options
- 6. Navigating Mazda Transmission Repair Guide 2005 Tribute Schematics eBook Formats
 - ePub, PDF, MOBI, and More
 - Mazda Transmission Repair Guide 2005 Tribute Schematics Compatibility with Devices
 - Mazda Transmission Repair Guide 2005 Tribute Schematics Enhanced eBook Features
- 7. Enhancing Your Reading Experience
 - Adjustable Fonts and Text Sizes of Mazda Transmission Repair Guide 2005 Tribute Schematics
 - Highlighting and Note-Taking Mazda Transmission Repair Guide 2005 Tribute Schematics
 - Interactive Elements Mazda Transmission Repair Guide 2005 Tribute Schematics
- 8. Staying Engaged with Mazda Transmission Repair Guide 2005 Tribute Schematics
 - Joining Online Reading Communities
 - Participating in Virtual Book Clubs
 - Following Authors and Publishers Mazda Transmission Repair Guide 2005 Tribute Schematics
- 9. Balancing eBooks and Physical Books Mazda Transmission Repair Guide 2005 Tribute Schematics
 - Benefits of a Digital Library
 - Creating a Diverse Reading Collection Mazda Transmission Repair Guide 2005 Tribute Schematics
- 10. Overcoming Reading Challenges
 - Dealing with Digital Eye Strain
 - Minimizing Distractions
 - Managing Screen Time
- 11. Cultivating a Reading Routine Mazda Transmission Repair Guide 2005 Tribute Schematics
 - Setting Reading Goals Mazda Transmission Repair Guide 2005 Tribute Schematics
 - Carving Out Dedicated Reading Time
- 12. Sourcing Reliable Information of Mazda Transmission Repair Guide 2005 Tribute Schematics
 - Fact-Checking eBook Content of Mazda Transmission Repair Guide 2005 Tribute Schematics

- Distinguishing Credible Sources
- 13. Promoting Lifelong Learning
 - Utilizing eBooks for Skill Development
 - Exploring Educational eBooks
- 14. Embracing eBook Trends
 - Integration of Multimedia Elements
 - Interactive and Gamified eBooks

Mazda Transmission Repair Guide 2005 Tribute Schematics Introduction

In the digital age, access to information has become easier than ever before. The ability to download Mazda Transmission Repair Guide 2005 Tribute Schematics has revolutionized the way we consume written content. Whether you are a student looking for course material, an avid reader searching for your next favorite book, or a professional seeking research papers, the option to download Mazda Transmission Repair Guide 2005 Tribute Schematics has opened up a world of possibilities. Downloading Mazda Transmission Repair Guide 2005 Tribute Schematics provides numerous advantages over physical copies of books and documents. Firstly, it is incredibly convenient. Gone are the days of carrying around heavy textbooks or bulky folders filled with papers. With the click of a button, you can gain immediate access to valuable resources on any device. This convenience allows for efficient studying, researching, and reading on the go. Moreover, the cost-effective nature of downloading Mazda Transmission Repair Guide 2005 Tribute Schematics has democratized knowledge. Traditional books and academic journals can be expensive, making it difficult for individuals with limited financial resources to access information. By offering free PDF downloads, publishers and authors are enabling a wider audience to benefit from their work. This inclusivity promotes equal opportunities for learning and personal growth. There are numerous websites and platforms where individuals can download Mazda Transmission Repair Guide 2005 Tribute Schematics. These websites range from academic databases offering research papers and journals to online libraries with an expansive collection of books from various genres. Many authors and publishers also upload their work to specific websites, granting readers access to their content without any charge. These platforms not only provide access to existing literature but also serve as an excellent platform for undiscovered authors to share their work with the world. However, it is essential to be cautious while downloading Mazda Transmission Repair Guide 2005 Tribute Schematics. Some websites may offer pirated or illegally obtained copies of copyrighted material. Engaging in such activities not only violates copyright laws but also undermines the efforts of authors, publishers, and researchers. To ensure ethical downloading, it is advisable to utilize reputable websites that prioritize the legal distribution of content. When downloading Mazda Transmission Repair Guide 2005 Tribute

Mazda Transmission Repair Guide 2005 Tribute Schematics

Schematics, users should also consider the potential security risks associated with online platforms. Malicious actors may exploit vulnerabilities in unprotected websites to distribute malware or steal personal information. To protect themselves, individuals should ensure their devices have reliable antivirus software installed and validate the legitimacy of the websites they are downloading from. In conclusion, the ability to download Mazda Transmission Repair Guide 2005 Tribute Schematics has transformed the way we access information. With the convenience, cost-effectiveness, and accessibility it offers, free PDF downloads have become a popular choice for students, researchers, and book lovers worldwide. However, it is crucial to engage in ethical downloading practices and prioritize personal security when utilizing online platforms. By doing so, individuals can make the most of the vast array of free PDF resources available and embark on a journey of continuous learning and intellectual growth.

FAQs About Mazda Transmission Repair Guide 2005 Tribute Schematics Books

How do I know which eBook platform is the best for me? Finding the best eBook platform depends on your reading preferences and device compatibility. Research different platforms, read user reviews, and explore their features before making a choice. Are free eBooks of good quality? Yes, many reputable platforms offer high-quality free eBooks, including classics and public domain works. However, make sure to verify the source to ensure the eBook credibility. Can I read eBooks without an eReader? Absolutely! Most eBook platforms offer webbased readers or mobile apps that allow you to read eBooks on your computer, tablet, or smartphone. How do I avoid digital eye strain while reading eBooks? To prevent digital eye strain, take regular breaks, adjust the font size and background color, and ensure proper lighting while reading eBooks. What the advantage of interactive eBooks? Interactive eBooks incorporate multimedia elements, quizzes, and activities, enhancing the reader engagement and providing a more immersive learning experience. Mazda Transmission Repair Guide 2005 Tribute Schematics is one of the best book in our library for free trial. We provide copy of Mazda Transmission Repair Guide 2005 Tribute Schematics in digital format, so the resources that you find are reliable. There are also many Ebooks of related with Mazda Transmission Repair Guide 2005 Tribute Schematics. Where to download Mazda Transmission Repair Guide 2005 Tribute Schematics online for free? Are you looking for Mazda Transmission Repair Guide 2005 Tribute Schematics PDF? This is definitely going to save you time and cash in something you should think about. If you trying to find then search around for online. Without a doubt there are numerous these available and many of them have the freedom. However without doubt you receive whatever you purchase. An alternate way to get ideas is always to check another Mazda Transmission Repair Guide 2005 Tribute Schematics. This method for see exactly what may be included and adopt these ideas to your book. This site will almost certainly help you save time and effort, money and stress. If you are looking for free

Mazda Transmission Repair Guide 2005 Tribute Schematics

books then you really should consider finding to assist you try this. Several of Mazda Transmission Repair Guide 2005 Tribute Schematics are for sale to free while some are payable. If you arent sure if the books you would like to download works with for usage along with your computer, it is possible to download free trials. The free guides make it easy for someone to free access online library for download books to your device. You can get free download on free trial for lots of books categories. Our library is the biggest of these that have literally hundreds of thousands of different products categories represented. You will also see that there are specific sites catered to different product types or categories, brands or niches related with Mazda Transmission Repair Guide 2005 Tribute Schematics. So depending on what exactly you are searching, you will be able to choose e books to suit your own need. Need to access completely for Campbell Biology Seventh Edition book? Access Ebook without any digging. And by having access to our ebook online or by storing it on your computer, you have convenient answers with Mazda Transmission Repair Guide 2005 Tribute Schematics To get started finding Mazda Transmission Repair Guide 2005 Tribute Schematics, you are right to find our website which has a comprehensive collection of books online. Our library is the biggest of these that have literally hundreds of thousands of different products represented. You will also see that there are specific sites catered to different categories or niches related with Mazda Transmission Repair Guide 2005 Tribute Schematics So depending on what exactly you are searching, you will be able to choose ebook to suit your own need. Thank you for reading Mazda Transmission Repair Guide 2005 Tribute Schematics. Maybe you have knowledge that, people have search numerous times for their favorite readings like this Mazda Transmission Repair Guide 2005 Tribute Schematics, but end up in harmful downloads. Rather than reading a good book with a cup of coffee in the afternoon, instead they juggled with some harmful bugs inside their laptop. Mazda Transmission Repair Guide 2005 Tribute Schematics is available in our book collection an online access to it is set as public so you can download it instantly. Our digital library spans in multiple locations, allowing you to get the most less latency time to download any of our books like this one. Merely said, Mazda Transmission Repair Guide 2005 Tribute Schematics is universally compatible with any devices to read.

Find Mazda Transmission Repair Guide 2005 Tribute Schematics :

~~freedom camp at turtle island~~

[ftce social science 6 12 study guide pdf](#)

four great novels of china

framing porch roof

fresno pacific professional development

free ccat prep

fun group therapy activities for adults

fourth dimension by david yonggi cho

frog anatomy diagram labeled

foxy drawing fnaf

ftce subject area practice test

~~free key west travel guide book~~

free alto sax lessons

full summary of pride and prejudice

framework occupational therapy

Mazda Transmission Repair Guide 2005 Tribute Schematics :